



D6



Street Sweeper
Ideal for all conditions
and situations

www.southern sweepers.com
Phone: 1-866-748-1250



Innovation
New technology
High quality
components



Street Sweeper D6





City Center



Parking



Industry



Heavy Industry



Factories



Private Property



Circuit

PRODUCTIVITY

Efficiency and cost reduction

It ensures the highest performance levels in every context, reducing consumption compared to the past.



Street Sweeper D6



Efficiency Everywhere

Savings in water consumption

Water is only used to cut down on dust on the external brushes.

12 months of use

12 months of useAbility to sweep even without using water makes it possible to also workwith low outdoor temperatures.

No sweeping limit

Possibility of collecting light, heave and even bulky material.

High filtering rate

Dust filter for constant and efficient filtering in all condition.





DULEVO CONNECT

Easy and intuitive use

Less time needed to train the operator, possibility to customise the operating methods of the vehicle.



Street Sweeper D6



Smart Thinking

Touchscreen Panel

User friendly and Easy Start functions.

On-board diagnostics

Possibility to directly access the function diagnostics and the motor status indications from the display.

Dulevo Telematic (Tierra)

Possibility to remotely access the vehicle diagnostics and information.

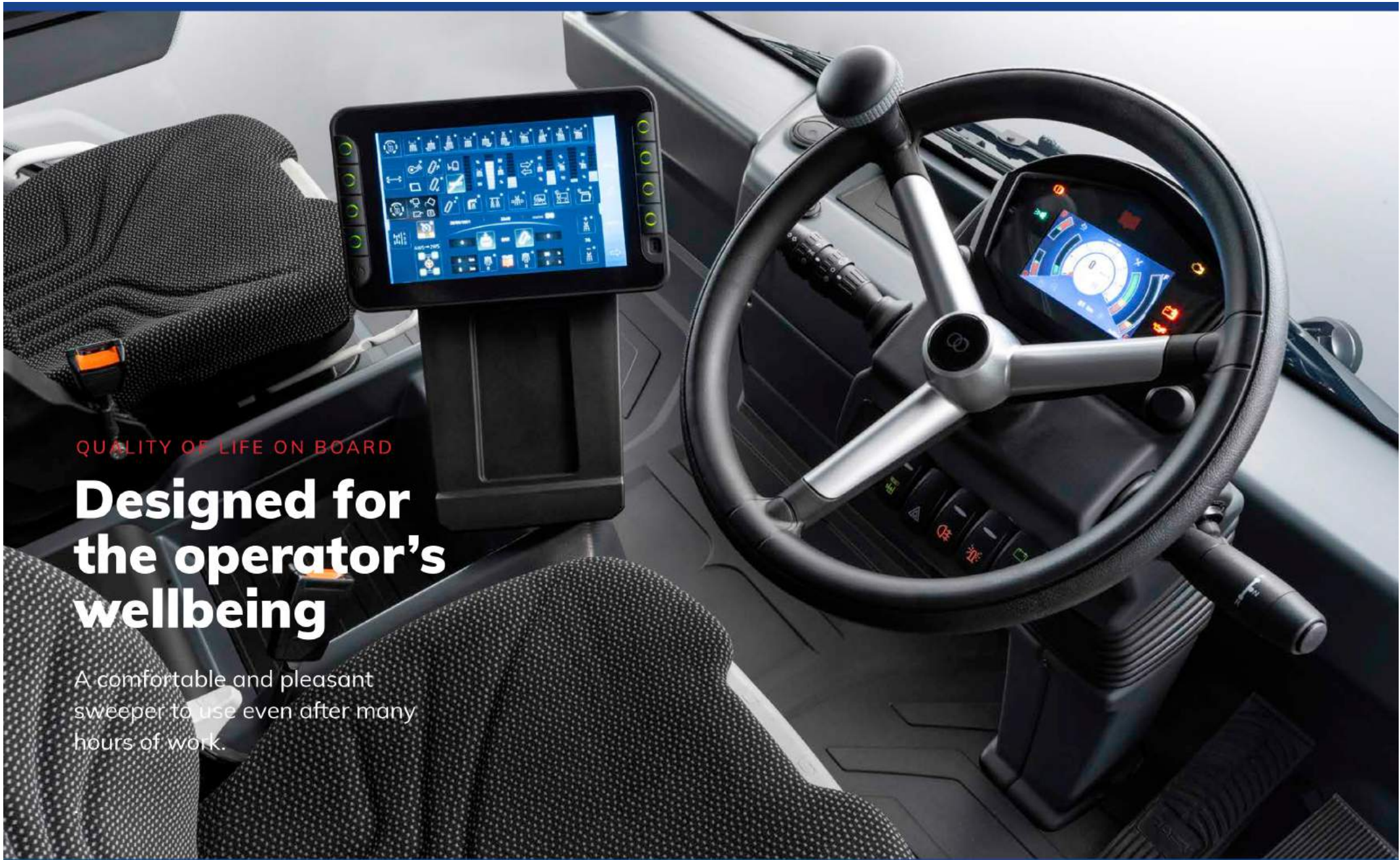
Set-up for remote connectivity 4.0 Smart City

Two-way interface system.

Can Bus

In/Out communication system of the sweeping functions and motor on CAN-BUS protocol.





QUALITY OF LIFE ON BOARD

Designed for the operator's wellbeing

A comfortable and pleasant
sweeper to use even after many
hours of work.



Street Sweeper D6



Designed for People

Greater cabin space

Tunnel removal and the possibility of having up to 3 cabin seats.

Less noise in the cab

Less than 70 db thanks to the new soundproofing concept.

Ergonomic cabin layout

Layout of controls and display of ergonomic and adjustable functions according to the operator's needs.

- 10" Interactive display for sweeping function.
- 4.3" display for engine and road circulation functions.
- Armrest with multifunction Joystick.

Filtering and pressurisation system

System designed to meet the high standards and regulations of the Agriculture sector.

Simplified daily maintenance

- Hydraulic opening of the Box Door.
- Conveyor washing with hydrant connection.
- Water system draining system.
- 50% faster central brush replacement system.

Cabin disinfection and sanitisation

The cab can also be sanitised through photocatalytic oxidation.





VERSATILITY

Adaptable to different sweeping needs

Different ways of using
the sweeper based on the
environments or type of
materials to be collected.

Adaptive Technology

A.S.T.

- Possibility of selecting different work programs: STD, ECO, Boost and Leaves.
- Possibility of storing customised work programs by operator, environment or work mode.

Adjustable Working Speed (A.W.S.)

Possibility of adjusting the maximum working speed.

Memory

Possibility of putting the functions in Stand-by and resume work with the same configuration.

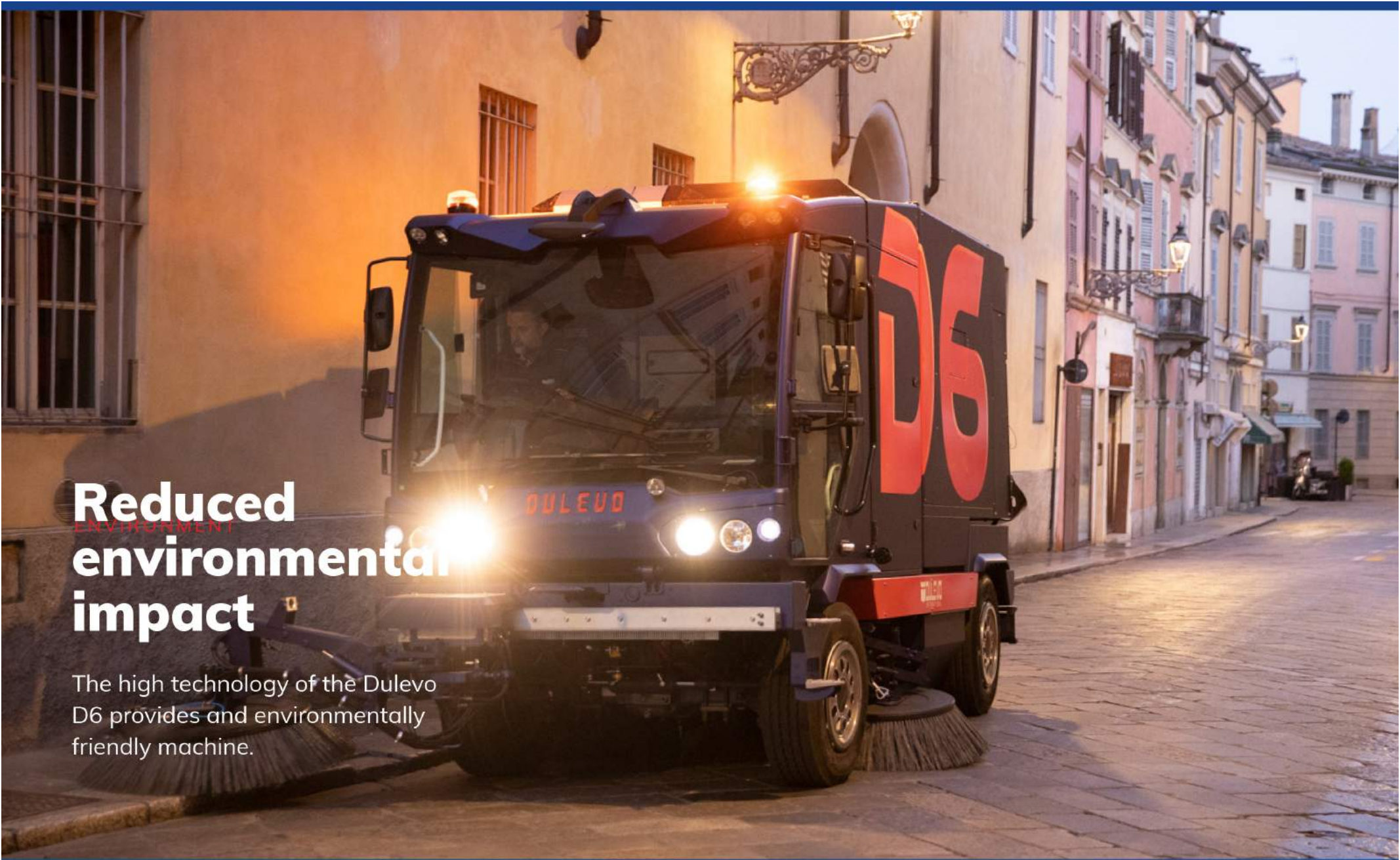
Adaptive sweeping width

Ability of the side brushes to open and close according to the steering angle.

4 and 2 steering wheel system

- Possibility of selecting the most comfortable transfer mode.
- 4 steering wheels for maximum manoeuvrability.
- 2 steering wheels for greater comfort and driving precision/ simplicity.
- Automatic alignment of the wheels.





Reduced ENVIRONMENT environmental impact

The high technology of the Dulevo D6 provides an environmentally friendly machine.

Reduced environmental impact

Low sound power

Less than 100 db thanks to Load Sensing.

Reduced water consumption

The mechanical suction system allows the machine to work, drastically reducing water consumption.

Low fine dust emissions

EN15429 certified filtration system. Possibility to mount Gore filters to increase performance.

Low fine dust emissions

Euro 6C engine. The engine complies with the most recent European emission regulations.

Low fuel consumption

Electronic transmission and high sweeping speed.





**Technical
data sheet**



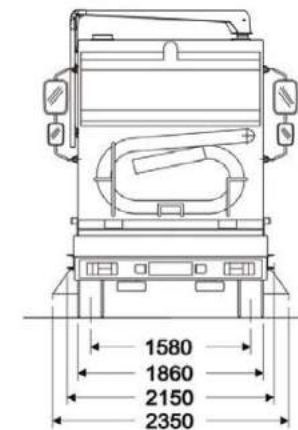
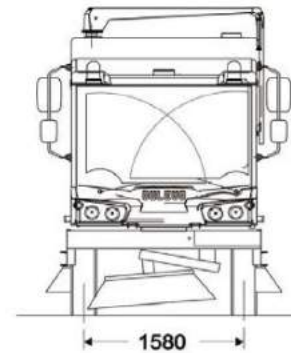
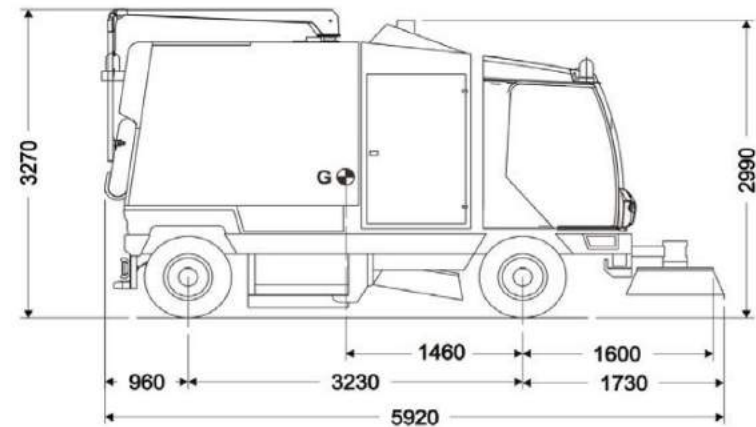
Street Sweeper D6



Technical data

D6

Sweeping width		
- With central brush	mm	1300
- With central brush and side brushes	mm	2800
- With central, side brushes and third brush	mm	3600
Container volume	m ³	6,2
Dumping height (OPT.)	mm	1150 (2400)
Seats in the cabin (OPT.)	n°	2 (3)
Cleaning performance	m ² /h	108.000
Maximum speed	Km/h	25 - 40 - 50
Steering diameter Kerb to Kerb	mm	9675
PM Certification		PM 2,5/PM10****
Engine Brand		FPT industrial (Iveco)
Engine emissions		EURO 6 C
Fuel		Diesel





COD. F034EU0000 Ed. 00-2021 © (copyright) 2014 Dulevo International S.p.a

Specifications are not binding for our company and subject to change at any time without notice

SOUTHERN

SWEEPERS & SCRUBBERS, INC.

Our Locations:



We specialize in providing industrial customers throughout the Southeast with the highest quality floor sweepers and scrubbers. While we provide our customers with information on our website, we are a brick-and-mortar business with locations throughout the Southeastern United States.

We are there for you. Clean is Our Passion!™



Call us at: 1-866-748-1250
www.southernsweepers.com