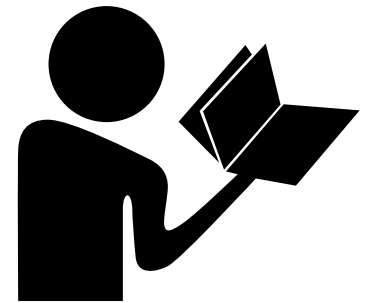
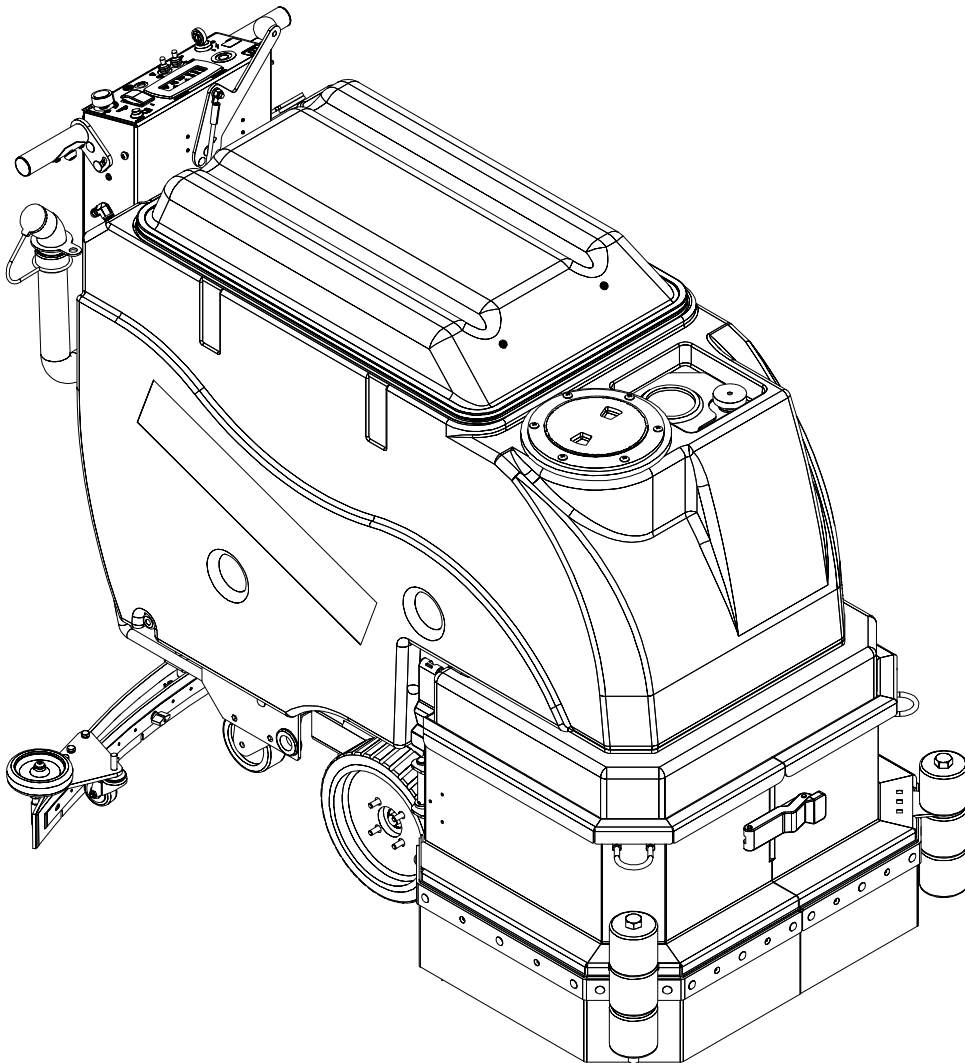


**FACTORYCAT**

# MAG-HID

## Parts Manual (EN)



Read Operation Instructions  
before using the machine.



Read the Safety Messages  
before using the machine.

www.factorycat.com  
1711 South Street  
Racine, WI 53404 (USA)  
(800) 634-4060 | (+001) 262-681-3583  
© 2017 RPS Corporation

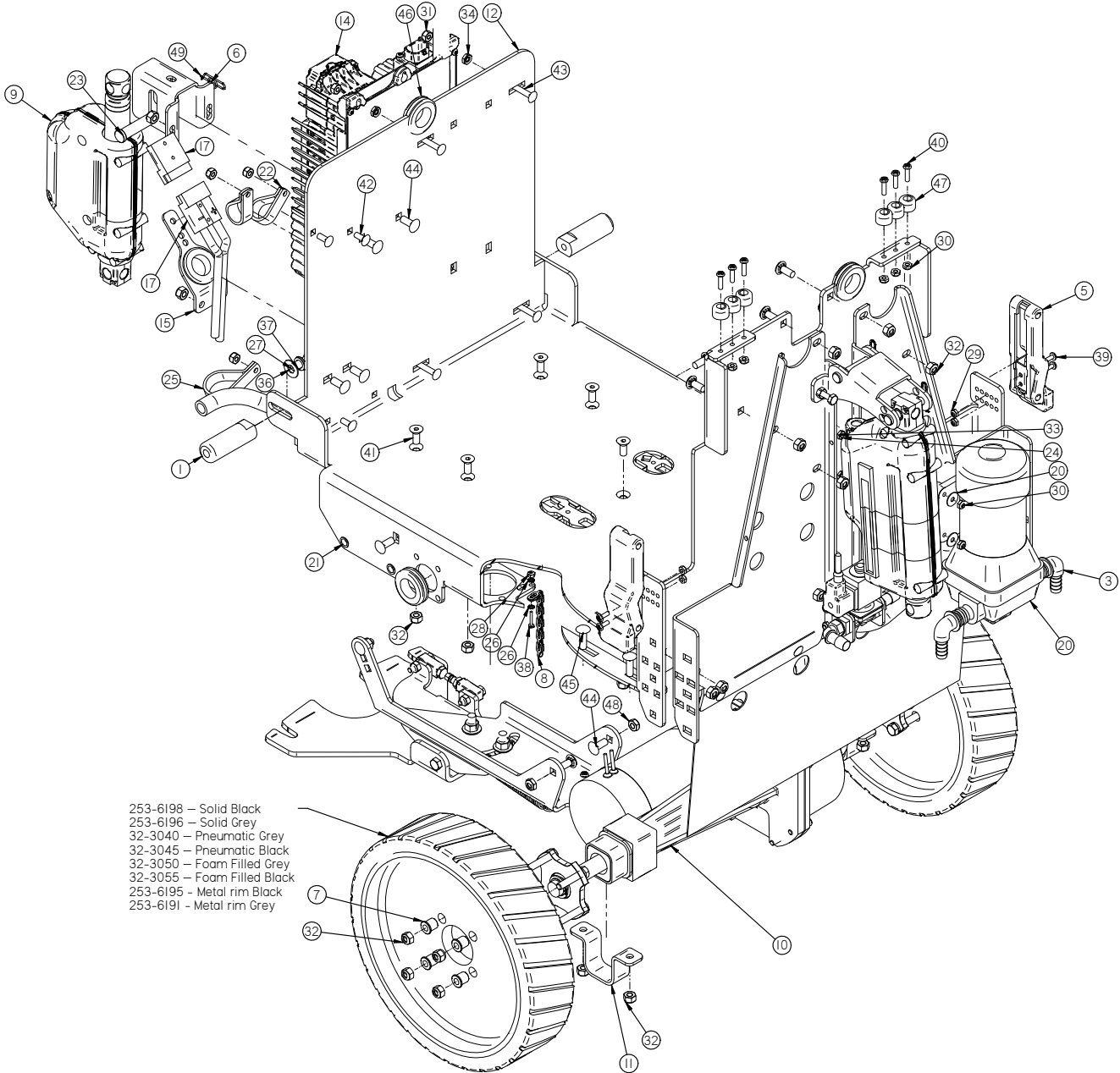
Scan With Phone for more Information



V17.214  
FC-MAG-HD-P-EN

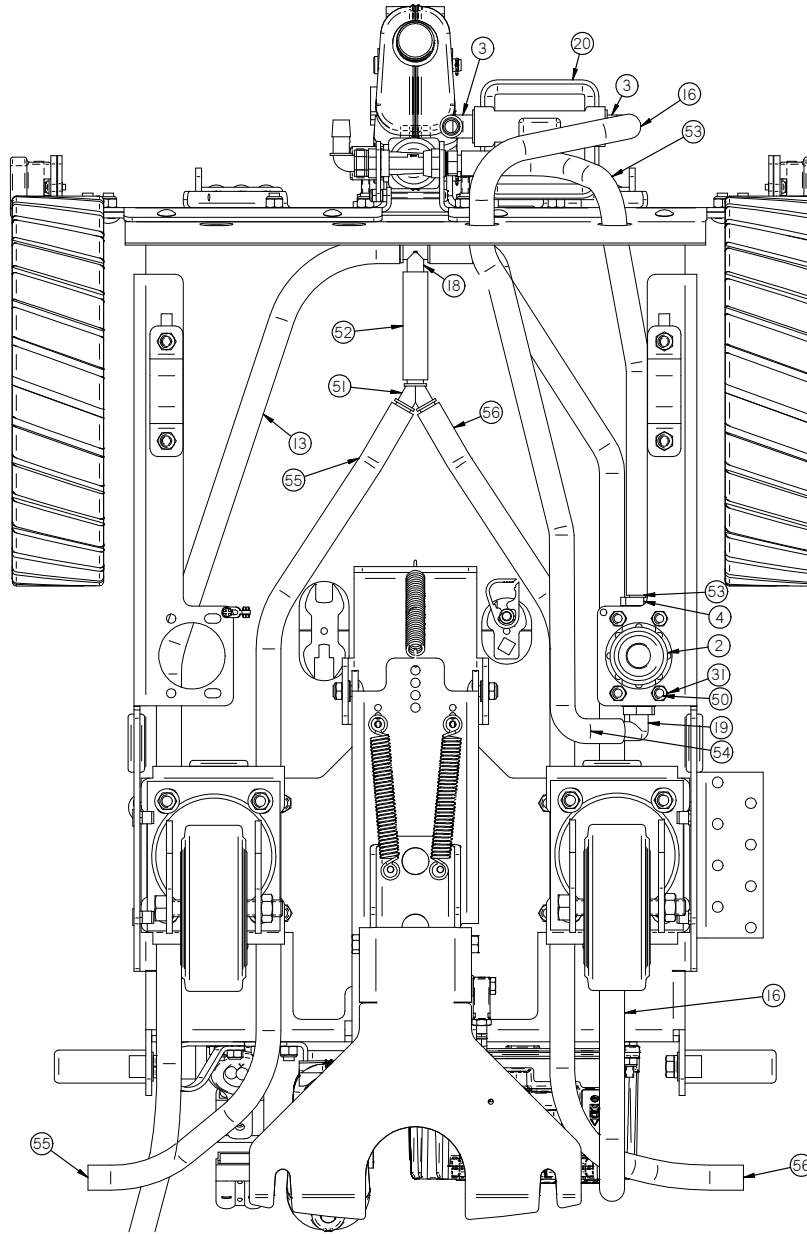


Frame Assembly .....	4
Frame Assembly - Bottom View .....	5
Actuator & Frame Support.....	6
Caster Foot Assembly .....	7
Squeegee Drag Link.....	8
Squeegees .....	9
30 Inch & 34 Inch Disk Decks for Jaws .....	10
30 Inch & 34 Inch Disk Decks for Shrouds.....	11
Jaws Assembly - Right Side .....	12
Jaws Assembly - Left Side.....	13
Disk Shrouds .....	14
29 Inch & 33 Inch Cylindrical Decks .....	15
Cylindrical Door Assembly .....	16
Standard XL Tank Assembly.....	17
Standard XL Tank - Drain Saver, Vac Box, Baffle Assembly .....	18
Standard XL Tank - Vacuum Bandeau Assembly .....	19
Standard XL Tank - Lid Assembly.....	20
Smaller Optional Tank Assembly .....	21
Smaller Optional Tank - Drain Saver, Vac Box, Baffle Assembly....	22
Smaller Optional Tank - Vacuum Bandeau Assembly .....	23
Smaller Optional Tank - Lid Assembly .....	24
Central Command Assembly .....	25
Batteries & Chargers .....	26
ZerO3 Onboard Option Assembly .....	27
ZerO3 Onboard Option Plumbing.....	28
Onboard Charger, Spray Jet, & Actuator Lift Option.....	29
Common Wear Parts .....	30
Common Wear Parts .....	31
Tank Stickers .....	32
Central Command Stickers.....	33

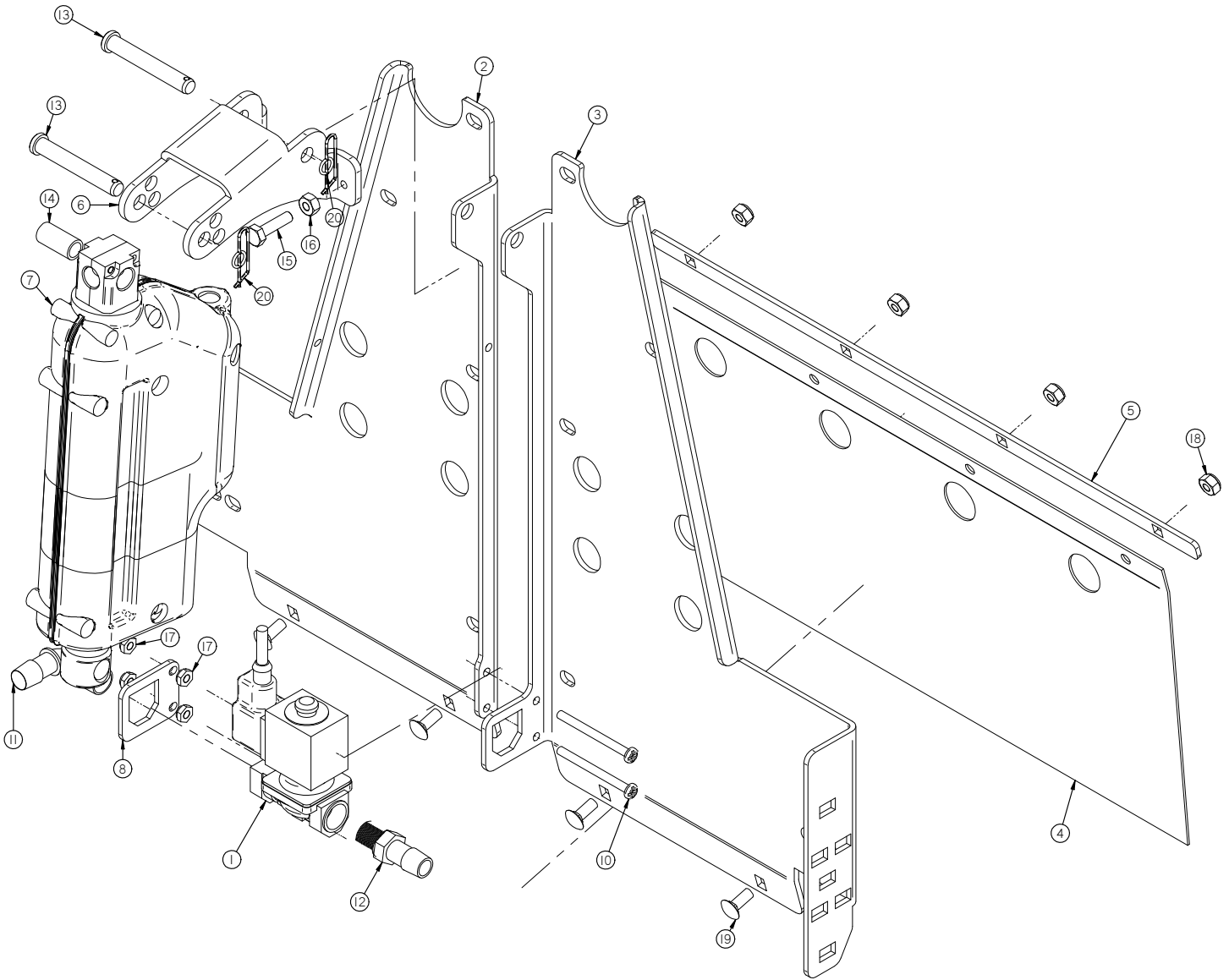


- 253-6198 – Solid Black
- 253-6196 – Solid Grey
- 32-3040 – Pneumatic Grey
- 32-3045 – Pneumatic Black
- 32-3050 – Foam Filled Grey
- 32-3055 – Foam Filled Black
- 253-6195 - Metal rim Black
- 253-6191 - Metal rim Grey

Item	Part No.	Part Description	Qty.	Item	Part No.	Part Description	Qty.
1	175-1060	2-3/4" BOSS	2	29	H-70856	NYLOK #8-32 SS	4
2	175-9130	INLINE FILTER	1	30	H-70858	NYLOK #10-32 SS	10
3	21-1601	1/2" BARBED ELBOW (PLASTIC)	2	31	H-70860	NYLOK 1/4"- 20 SS	11
4	21-1606	1/2 MALE NPT X 1/2" BARB	1	32	H-70861	NYLOK 5/16" - 18 SS	35
5	250-1240	LATCH	2	33	H-70923	KN #10-32 SS	4
6	253-1099	AUTO SQUEEGEE LIFT BRACKET	1	34	H-70925	KN 1/4-20 S/S	4
7	253-1245	BUSHING	8	35*	H-71010	FW #10 ID X 1/16 OD SS	4
8	253-1618	GROUNDING CHAIN 12"	1	36	H-71017	FW 3/8 ID X 7/8 OD SS	2
9	253-2240	2" STROKE 24V ACTUATOR 450 LB LOAD	1	37	H-71067	LW 3/8" SS	2
10	253-3009	TRANS AXLE	1	38	H-72388	PPH #6-32 X 3/4" SS	1
11	264-0999	AXLE MOUNT	2	39	H-72398	PPH #8-32 X 1/2" S/S	4
12	264-1100	MAINFRAME WELDMENT	1	40	H-72416	PPHMS #10-32 X 3/4" S/S	6
13	264-1370	SIGHT TUBE	1	41	H-73907	FHSCS 5/16"- 18 X 3/4" SS	5
14	264-2440	ON BOARD CHARGER	1	42	H-74418	CB 1/4"- 20 X 5/8" S/S	3
15	264-9516	CHARGER CONECTOR BRACKET	1	43	H-74421	CB 1/4"- 20 X 1-1/4" SS	4
16	290-8960	SPRAY JET HOSE	1	44	H-74429	CB 5/16"- 18 X 3/4" SS	21
17	4-259	CONNECTOR, RED 50, HOUSING ONLY	2	45	H-74430	CB 5/16"- 18 X 1" SS	4
18	5-446	1/2" PLASTIC BARB TEE	1	46	H-9307K74	GROMMET, 1" ID X 1-3/4" OD BUNA-N	5
19	5-447	1/2 NPT X 1/2" BARB ELBOW	1	47	H-9540	RUBBER BUMPER, 25/32"	6
20	5-891	PUMP, WATER JET	1	48	H-NJ05C	-JNYL 5/16"- 18 SS	2
21	H-00918	HCN 1/4"-20 LG	4	49	H-RUE22	1/2" RUE RING COTTER	1
22	H-0127295	RUBBER LOOP CLAMP, 3/4"	2	50	M-3043113	1/4-20 X 1.0" U-BOLT	2
23	H-0156771	CLEVIS PIN, 1/2" OD X 2" LG	1	51	M-5463K727	WYE, 1/2", NYLON	1
24	H-0172522	CB #10-32 X 1-1/4" SS	4	52	T-050R0250	1/2"ID X 2-1/2"LG SOLUTION HOSE	1
25	H-3225T	RUBBER LOOP CLAMP, 1-1/2"	1	53	T-050R1450	1/2"ID X 14-1/2"LG SOLUTION HOSE	1
26	H-33733	#6 STAR WASHER	2	54	T-050R1600	1/2"ID X 16"LG SOLUTION HOSE	1
27	H-70105	HCS 3/8"- 16 X 1" SS	2	55	T-050R2700	1/2"ID X 27"LG SOLUTION HOSE	1
28	H-70855	NYLOK #6-32 SS	1	56	T-050R2700	1/2"ID X 27"LG SOLUTION HOSE	1



Item	Part No.	Part Description	Qty.	Item	Part No.	Part Description	Qty.
1	175-1060	2-3/4" BOSS	2	29	H-70856	NYLOK #8-32 SS	4
2	175-9130	INLINE FILTER	1	30	H-70858	NYLOK #10-32 SS	10
3	21-1601	1/2" BARBED ELBOW (PLASTIC)	2	31	H-70860	NYLOK 1/4"- 20 SS	11
4	21-1606	1/2 MALE NPT X 1/2" BARB	1	32	H-70861	NYLOK 5/16" - 18 SS	35
5	250-1240	LATCH	2	33	H-70923	KN #10-32 SS	4
6	253-1099	AUTO SQUEEGEE LIFT BRACKET	1	34	H-70925	KN 1/4-20 S/S	4
7	253-1245	BUSHING	8	35	H-71010	FW #10 ID X 11/16 OD SS	4
8	253-1618	GROUNDING CHAIN, 12"	1	36	H-71017	FW 3/8 ID X 7/8 OD SS	2
9	253-2240	2" STROKE 24V ACTUATOR 450 LB LOAD	1	37	H-71067	LW 3/8" SS	2
10	253-3009	TRANS AXLE	1	38	H-72388	PPH #6-32 X 3/4" SS	1
11	264-0999	AXLE MOUNT	2	39	H-72398	PPH #8-32 X 1/2" S/S	4
12	264-1100	MAINFRAME WELDMENT	1	40	H-72416	PPHMS #10-32 X 3/4" S/S	6
13	264-1370	SIGHT TUBE	1	41	H-73907	FHSCS 5/16"- 18 X 3/4" SS	5
14	264-2440	ON BOARD CHARGER	1	42	H-74418	CB 1/4"- 20 X 5/8" S/S	3
15	264-9516	CHARGER CONECTOR BRACKET	1	43	H-74421	CB 1/4"- 20 X 1-1/4" SS	4
16	290-8960	SPRAY JET HOSE	1	44	H-74429	CB 5/16"- 18 X 3/4" SS	21
17	4-259	CONNECTOR, RED 50, HOUSING ONLY	2	45	H-74430	CB 5/16"- 18 X 1" SS	4
18	5-446	1/2" PLASTIC BARB TEE	1	46	H-9307K74	GROMMET, 1" ID X 1-3/4" OD BUNA-N	5
19	5-447	1/2 NPT X 1/2" BARB ELBOW	1	47	H-9540	RUBBER BUMPER, 25/32"	6
20	5-891	PUMP, WATER JET	1	48	H-NJ05C	JNYL 5/16"- 18 SS	2
21	H-00918	HCN 1/4"-20 LG	4	49	H-RUE22	1/2" RUE RING COTTER	1
22	H-0127295	RUBBER LOOP CLAMP, 3/4"	2	50	M-3043T13	1/4-20 X 1.0" U-BOLT	2
23	H-0156771	CLEVIS PIN, 1/2" OD X 2" LG	1	51	M-5463K727	WYE, 1/2", NYLON	1
24	H-0172522	CB #10-32 X 1-1/4" SS	4	52	T-050R0250	1/2"ID X 2'-1/2"LG SOLUTION HOSE	1
25	H-3225T	RUBBER LOOP CLAMP, 1-1/2"	1	53	T-050R1450	1/2"ID X 14'-1/2"LG SOLUTION HOSE	1
26	H-33733	#6 STAR WASHER	2	54	T-050R1600	1/2"ID X 16"LG SOLUTION HOSE	1
27	H-70105	HCS 3/8"- 16 X 1" SS	2	55	T-050R2700	1/2"ID X 27"LG SOLUTION HOSE	1
28	H-70855	NYLOK #6-32 SS	1	56	T-050R2700	1/2"ID X 27"LG SOLUTION HOSE	1

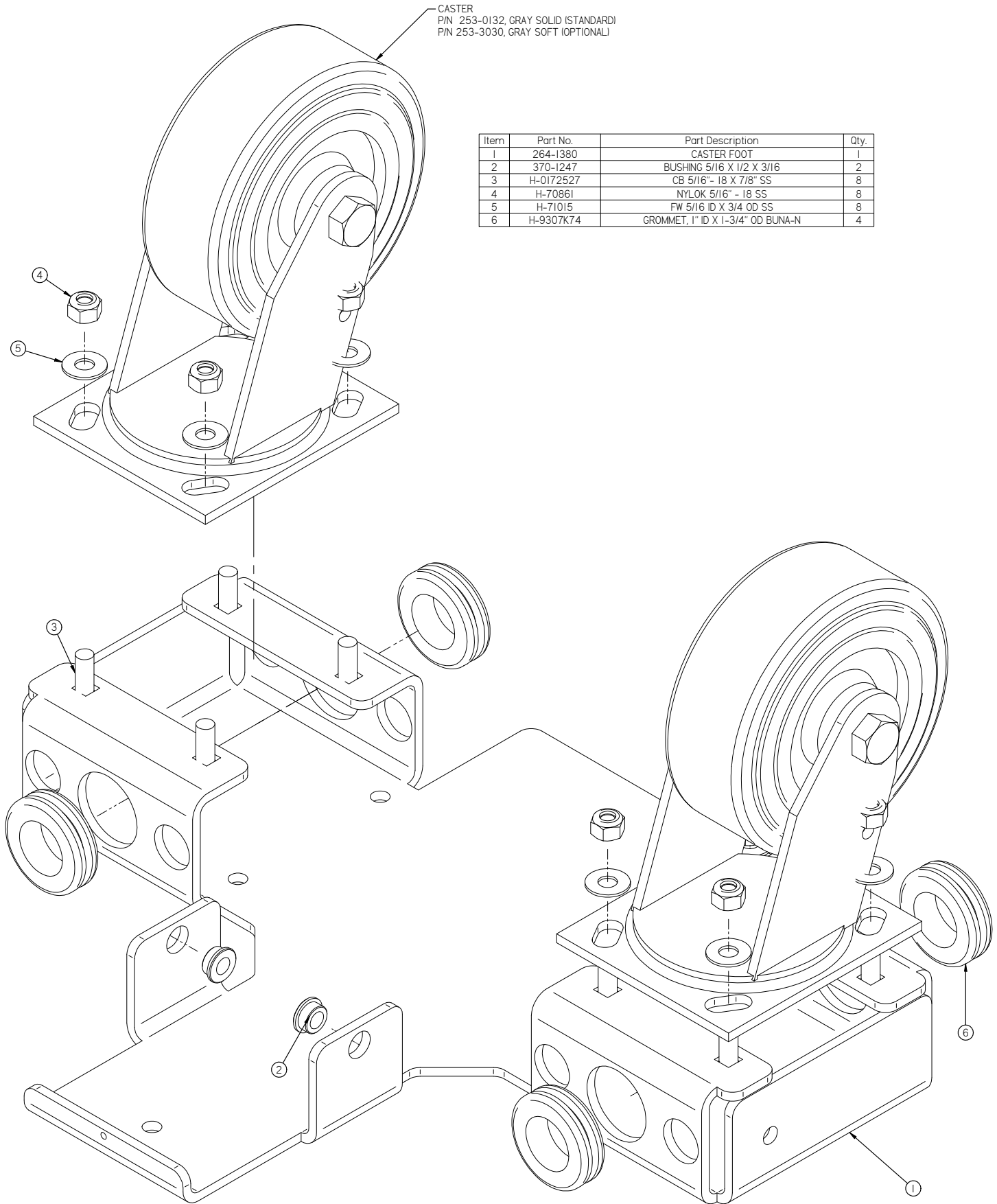


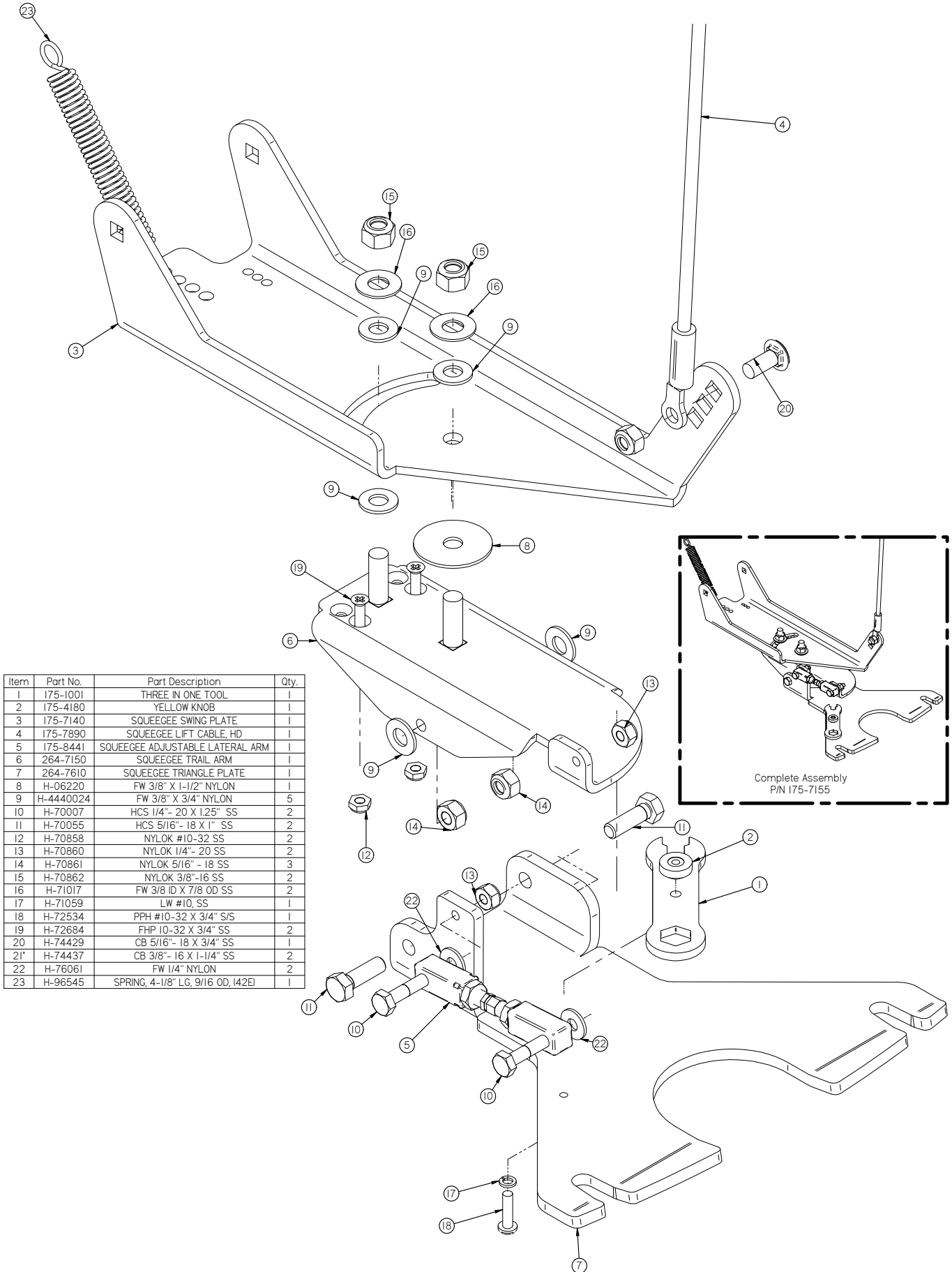
Item	Part No.	Part Description	Qty.
1	170-4500	VALVE	1
2	264-1011L	LEFT LIFT ARM SUPPORT BRACKET	1
3	264-1011R	RIGHT LIFT ARM SUPPORT BRACKET	1
4	264-1015	FRAME CURTAIN	1
5	264-1020	BAND, FRAME CURTAIN	1
6	264-1151	ACTUATOR ARM	1
7	264-2210	4" STROKE, 24V ACTUATOR 1000 LB LOAD	1
8	264-5280	VALVE BRACKET	1
9	400-1225	.375 NPT X .25 BARB X 90 DEG	1
10	H-00249	PPH #10-32 X 2 1/4" SS	2
11	H-04763	ELBOW, 90 DEG X 3/8" MNPT X 1/2" BARB, NYLON	1
12	H-04763	.375 NPT X .50 BARB	1
13	H-15675	CLEVIS PIN, 3/8" X 2-1/2"	2
14	H-63917	SLEEVE, .50 OD X .375 ID X 1.0 LG	1
15	H-70005	HCS 1/4"- 20 X 1" SS	2
16	H-70710	HN 1/4"- 20 SS	2
17	H-70858	NYLOK #10-32 SS	4
18	H-70860	NYLOK 1/4"- 20 SS	4
19	H-74418	CB 1/4"- 20 X 5/8" S/S	4
20	H-RUE14	3/8" RUE RING COTTER	2

Caster Foot Assembly

CASTER  
 P/N 253-0132, GRAY SOLID (STANDARD)  
 P/N 253-3030, GRAY SOFT (OPTIONAL)

Item	Part No.	Part Description	Qty.
1	264-1380	CASTER FOOT	1
2	370-1247	BUSHING 5/16 X 1/2 X 3/16	2
3	H-0172527	CB 5/16" - 18 X 7/8" SS	8
4	H-70861	NYLOK 5/16" - 18 SS	8
5	H-71015	FW 5/16 ID X 3/4 OD SS	8
6	H-9307K74	GROMMET, 1" ID X 1-3/4" OD BUNA-N	4

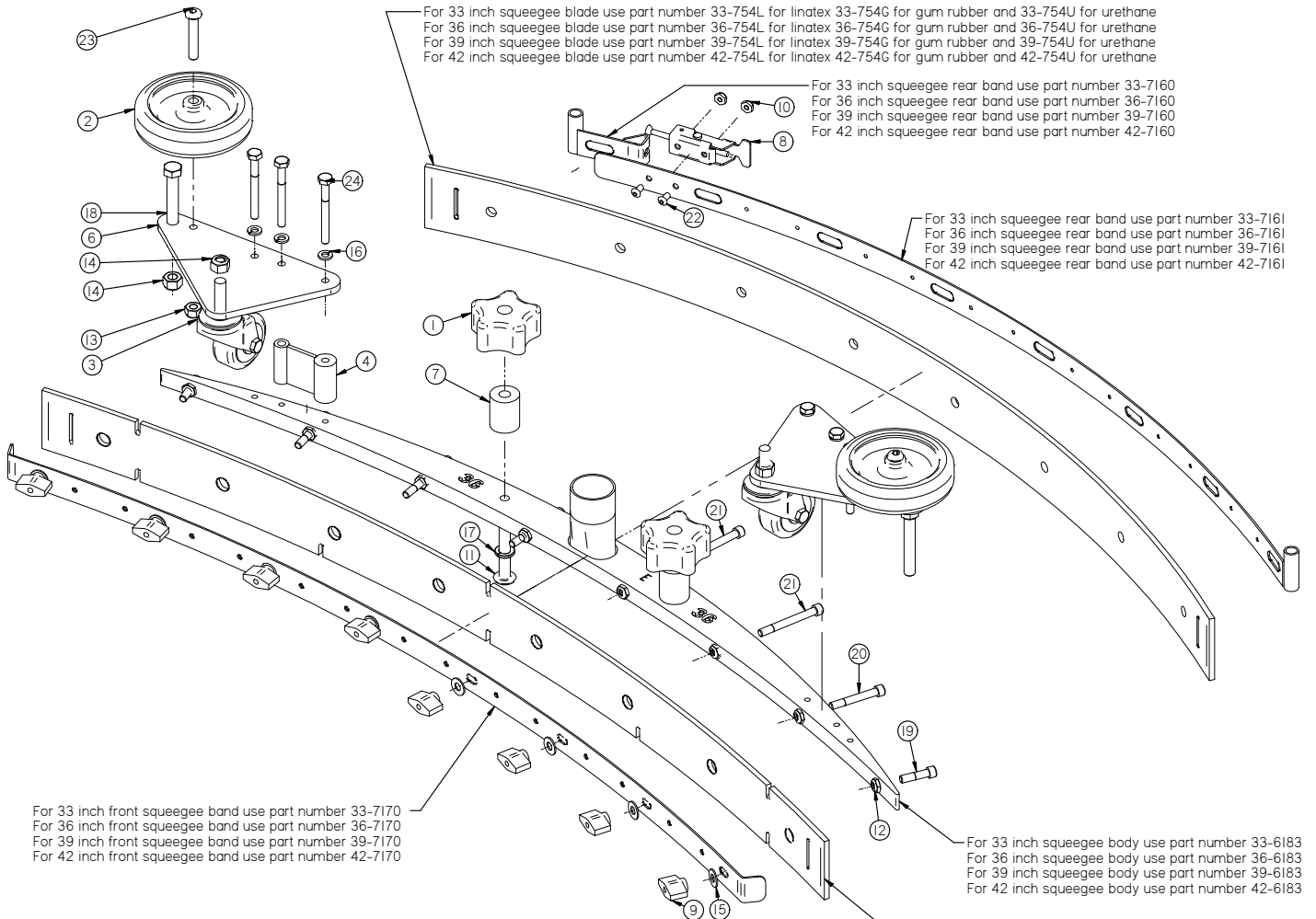




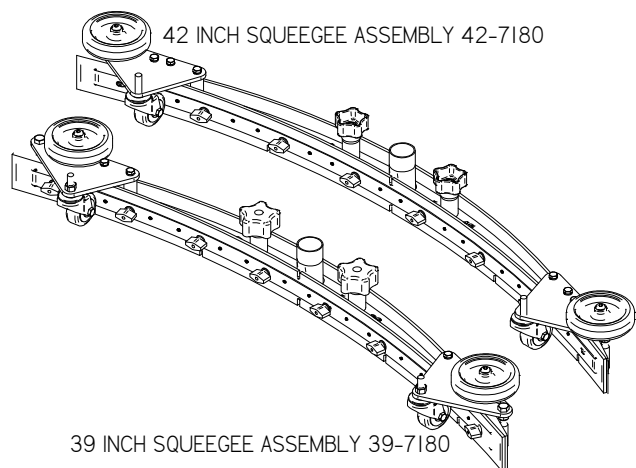
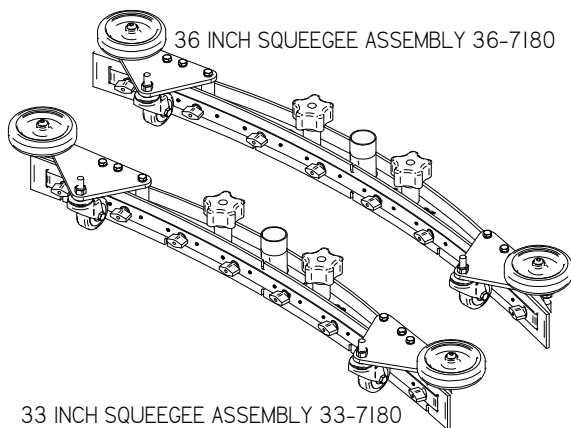
Item	Part No.	Part Description	Qty.
1	175-1001	THREE IN ONE TOOL	1
2	175-4180	YELLOW KNOB	1
3	175-7140	SQUEEGEE SWING PLATE	1
4	175-7890	SQUEEGEE LIFT CABLE, HD	1
5	175-8441	SQUEEGEE ADJUSTABLE LATERAL ARM	1
6	264-7150	SQUEEGEE TRAIL ARM	1
7	264-7610	SQUEEGEE TRIANGLE PLATE	1
8	H-06220	FW 3/8" X 1-1/2" NYLON	1
9	H-4440024	FW 3/8" X 3/4" NYLON	5
10	H-70007	HCS 1/4"- 20 X 1.25" SS	2
11	H-70055	HCS 5/16"- 18 X 1" SS	2
12	H-70858	NYLOK #10-32 SS	2
13	H-70860	NYLOK 1/4"- 20 SS	2
14	H-70861	NYLOK 5/16" - 18 SS	3
15	H-70862	NYLOK 3/8"-16 SS	2
16	H-71017	FW 3/8 ID X 7/8 OD SS	2
17	H-71059	LW #10, SS	1
18	H-72534	PPH #10-32 X 3/4" S/S	1
19	H-72684	FHP 10-32 X 3/4" SS	2
20	H-74429	CB 5/16"- 18 X 3/4" SS	1
21	H-74437	CB 3/8"- 16 X 1-1/4" SS	2
22	H-76061	FW 1/4" NYLON	2
23	H-96545	SPRING, 4-1/8" LG, 9/16 OD, 142EJ	1



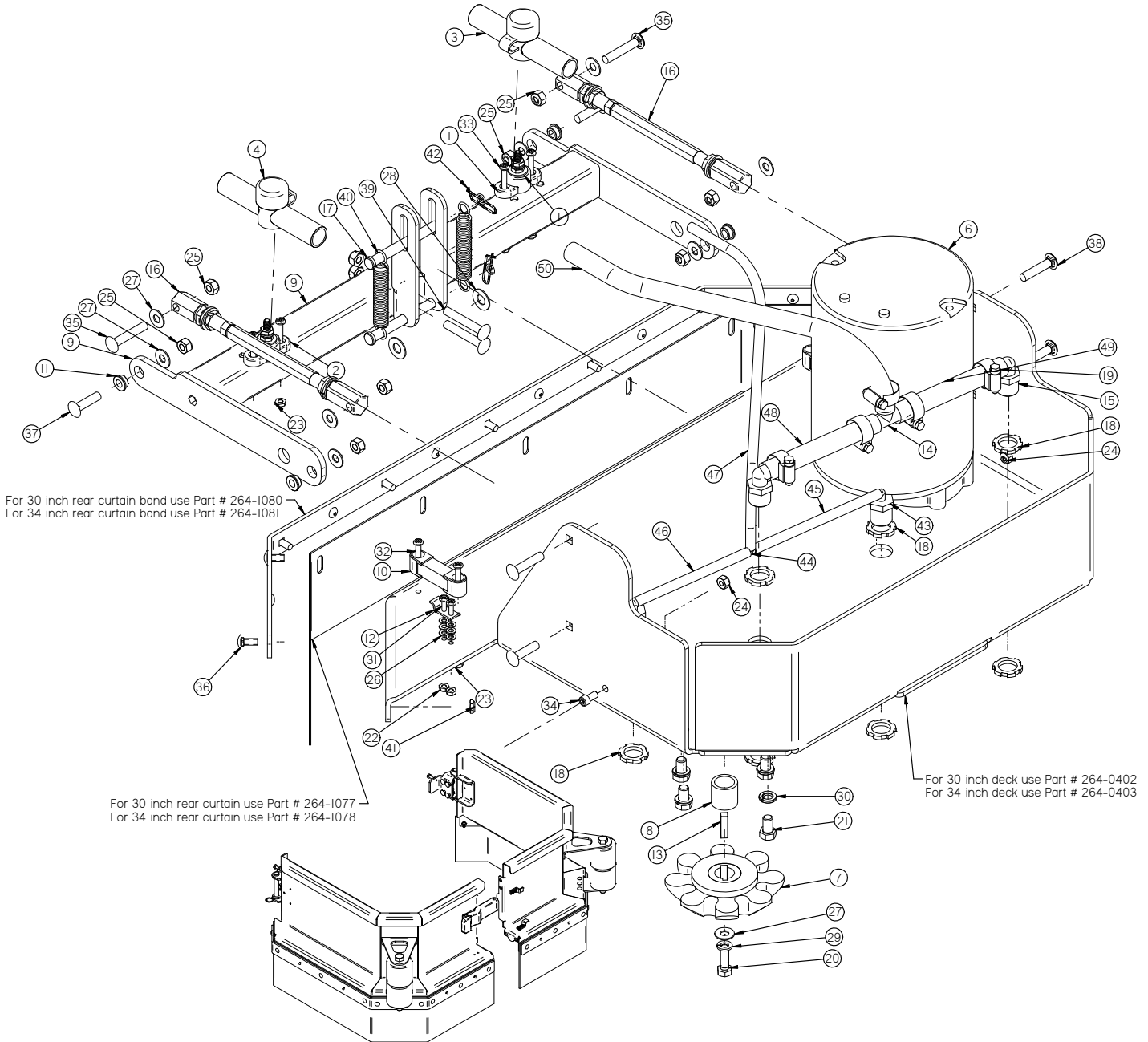
Squeegees



Item	Part No.	Part Description	Qty.	Item	Part No.	Part Description	Qty.
1	150-5786	STAR KNOB, 3/8-16 THREAD	2	13	H-70861	NYLOK 5/16" - 18 SS	2
2	150-7600	4" SIDE WHEEL (GREY)	2	14	H-70862	NYLOK 3/8"-16 SS	4
3	253-7570	CASTER	2	15	H-71013	FW 1/4 ID X 5/8 OD SS	8
4	36-0007	BAND BRACKET HOLDER	2	16	H-71063	LW 1/4" SS	6
5	36-2211	SPACER 1/2 OD X 5/32" LG X.25 ID	6	17	H-71067	LW 3/8" SS	2
6	36-7183	SQUEEGEE CASTER BRACKET	2	18	H-71191	HCS 3/8"- 16 X 3" SS	2
7	36-8460	STANDOFF, 1.5"	2	19	H-73462	SHCS 1/4-20 X 1.0 SS	2
8	370-0124	LATCH	1	20	H-73465	SHCS 1/4-20 X 1.75 SS	2
9	5-418A	CLAMPING KNOB	8	21	H-73467	SHCS 1/4-20 X 2.25 SS	4
10	H-0129155	JNYL #10-32, 18-8 S/S	2	22	H-73742	BHSCS 10-32 X 3/8" SS	2
11	H-0171299	BHSCS 3/8"- 16 X 3" SS	2	23	H-73783	BHSCS 5/16-18 X 1.75	2
12	H-37020	JNYL 1/4" - 20	8	24	H-77013	HCS 1/4"- 20 X 2.5" SS	6

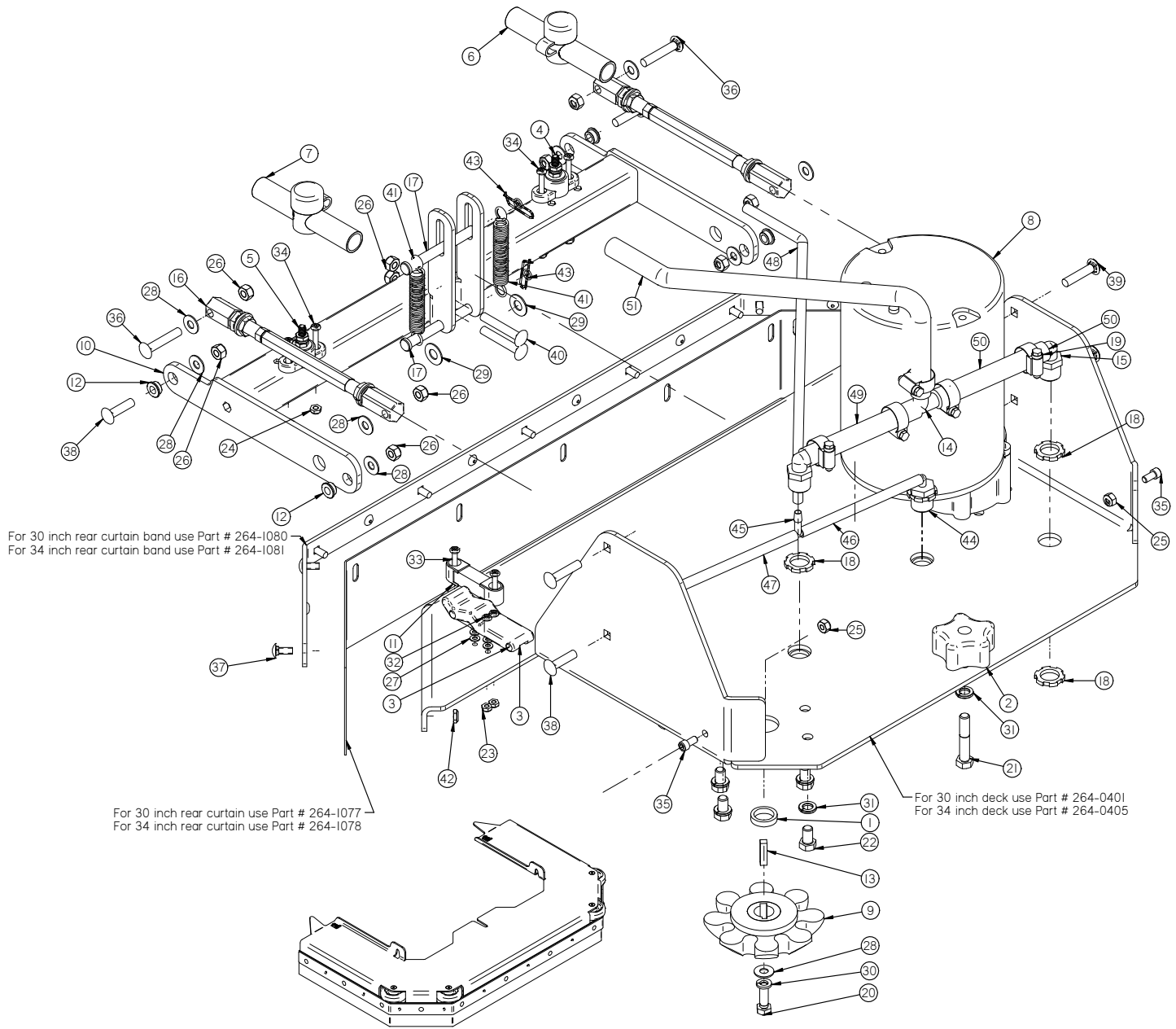


## 30 Inch & 34 Inch Disk Decks for Jaws

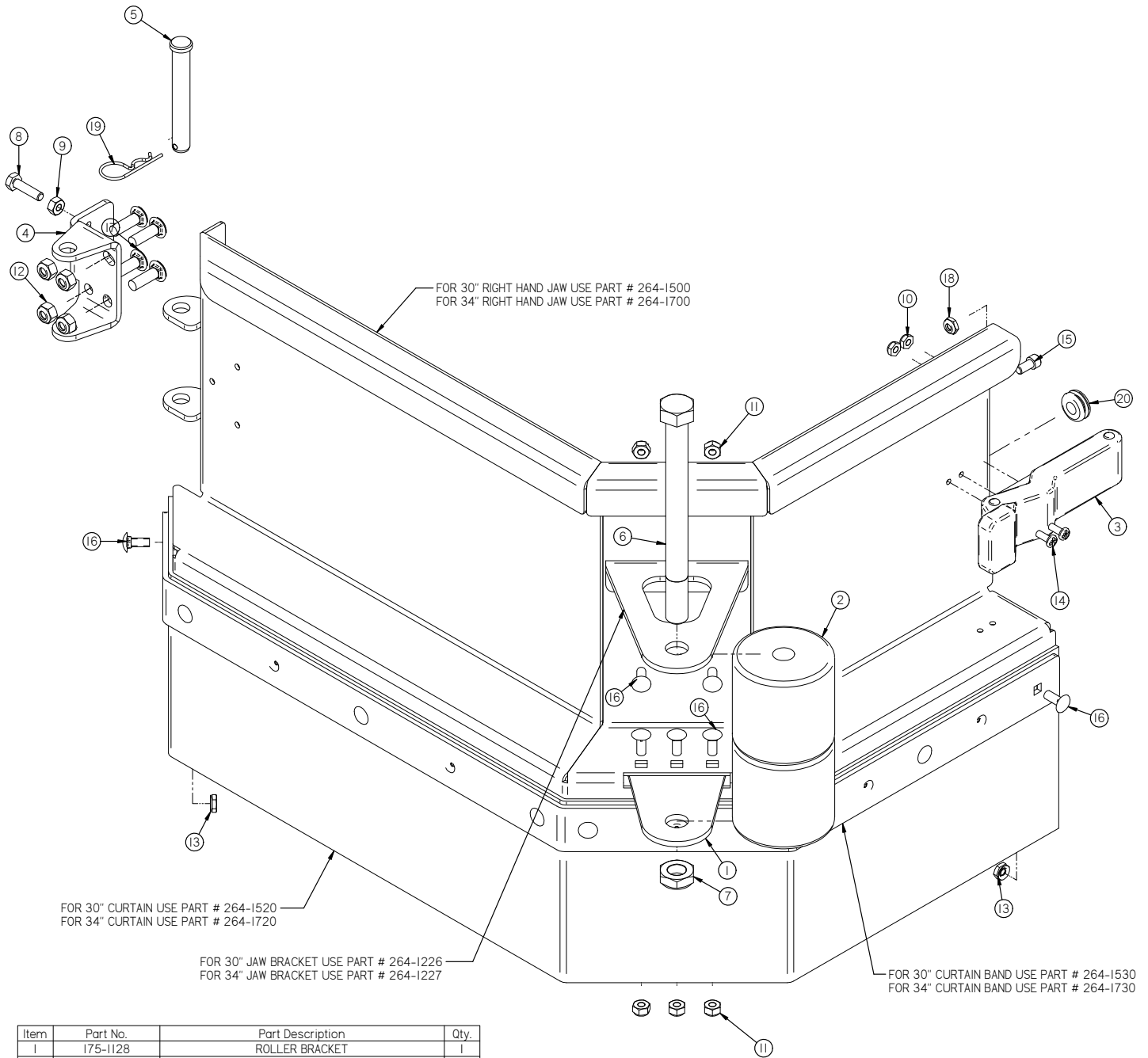


Item	Part No.	Part Description	Qty.	Item	Part No.	Part Description	Qty.
1	175-2700	NEG INSULATOR POST (BLACK)	1	26	H-71007	FW #8 SS	12
2	175-2710	POS INSULATOR POST (RED)	1	27	H-71015	FW 5/16 ID X 3/4 OD SS	10
3	175-2780	BLACK INSULATOR BOOT	1	28	H-71017	FW 3/8 ID X 7/8 OD SS	4
4	175-2790	RED INSULATOR BOOT	1	29	H-71065	LW 5/16" SS	2
5	253-2224	24V MOTOR 1.0 HP X 350 RPM	1	30	H-71067	LW 3/8" SS	8
6	264-2222	MOTOR 3/4 HP X 270 RPM	2	31	H-72399	PPH #8-32 X 5/8" S/S	4
7	264-5003	BRUSH DRIVER ROUNDED TOOTH	2	32	H-72534	PPH #10-32 X 3/4" S/S	4
8	264-5005	DRIVER SPACER	2	33	H-72556	PPH #10-32 X 2" SS	4
9	264-9586	SCRUBDECK LIFT ARM, DISK	1	34	H-73459	SHCS 1/4-20 X 1/2 SS	2
10	300-4030	LEVEL	2	35	H-74401	CB 5/16"- 18 X 1-3/4" SS	2
11	370-1247	BUSHING 5/16 X 1/2 X 3/16	4	36	H-74418	CB 1/4"- 20 X 5/8" S/S	9
12	4-124	CLIP, LATCH	2	37	H-74431	CB 5/16"- 18 X 1-1/4" SS	4
13	5-431	1/4" X 1" KEY	2	38	H-74432	CB 5/16"- 18 X 1-1/2" SS	2
14	5-446	1/2" PLASTIC BARB TEE	1	39	H-74433	CB 5/16"- 18 X 2" SS	2
15	5-447	1/2 NPT X 1/2" BARB ELBOW	2	40	H-96544	SPRING, 4-1/8" LG X 9/16" OD (142E)	2
16	9-25	9.25" ADJUSTABLE LATERAL ARM	2	41	H-NJ04C	JNYL 1/4" - 20 SS	9
17	H-0156758	3/8" X 3-1/2" CLEVIS PIN	2	42	H-RUE14	3/8" RUE RING COTTER	2
18	H-07005	1/2" NPT LOCKNUT	8	43	M-5463K494	1/2 NPT X 1/4" BARB ELBOW	2
19	H-081	CLAMP 1.0" - 1-1/8" SS	5	44	M-5463K606	1/4" X 1/4" PLASTIC BARBED TEE	1
20	H-70055	HCS 5/16"- 18 X 1" SS	2	45	T-025B0575	ZERO HOSE	1
21	H-70140	HCS 3/8"-24 X 5/8" SS	8	46	T-025B0575	ZERO HOSE	1
22	H-70856	NYLOK #8-32 SS	4	47	T-025B1400	ZERO HOSE	1
23	H-70858	NYLOK #10-32 SS	8	48	T-050R0575	1/2"ID X 6-1/2"LG SOLUTION HOSE	1
24	H-70860	NYLOK 1/4"- 20 SS	2	49	T-050R0575	1/2"ID X 6-1/2"LG SOLUTION HOSE	1
25	H-70861	NYLOK 5/16" - 18 SS	10	50	T-050R1325	1/2"ID X 13-1/4"LG SOLUTION HOSE	1

## 30 Inch & 34 Inch Disk Decks for Shrouds

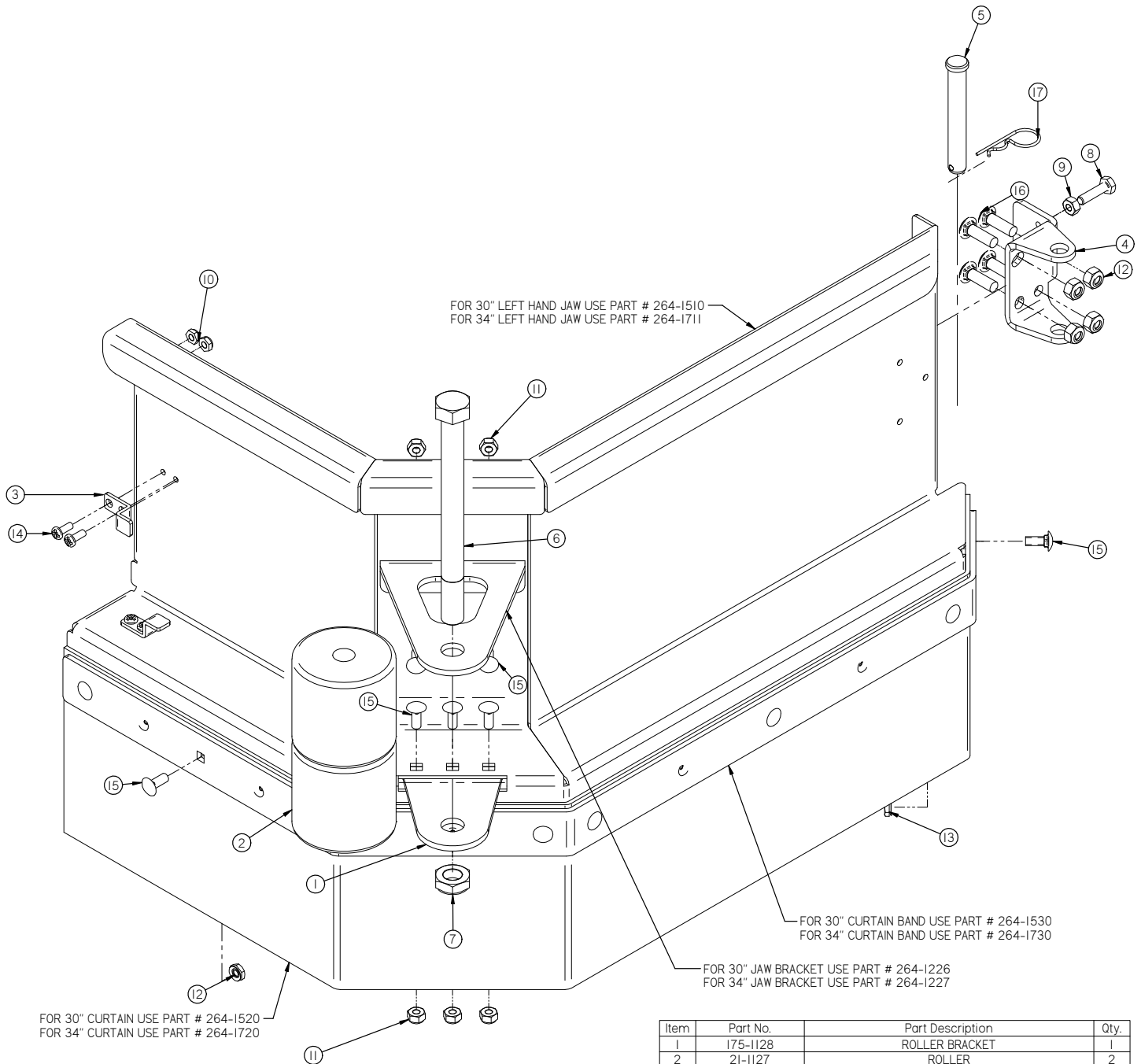


Item	Part No.	Part Description	Qty.	Item	Part No.	Part Description	Qty.
1	150-5005	DRIVER SPACER	4	26	H-70861	NYLOK 5/16" - 18 SS	10
2	150-5786	STAR KNOB, 3/8"-16 THREAD	1	27	H-71007	FW #8 SS	12
3	170-1240	LATCH	2	28	H-71015	FW 5/16 ID X 3/4 OD SS	10
4	175-2700	NEG INSULATOR POST (BLACK)	1	29	H-71017	FW 3/8 ID X 7/8 OD SS	4
5	175-2710	POS INSULATOR POST (RED)	1	30	H-71065	LW 5/16" SS	2
6	175-2780	BLACK INSULATOR BOOT	1	31	H-71067	LW 3/8" SS	9
7	175-2790	RED INSULATOR BOOT	1	32	H-72399	PPH #8-32 X 5/8" S/S	4
8	21-2500	MOTOR 3/4 HP X 270 RPM	3	33	H-72534	PPH #10-32 X 3/4" S/S	4
9	264-5003	BRUSH DRIVER ROUNDED TOOTH	2	34	H-72556	PPH #10-32 X 2" SS	4
10	264-9586	SCRUBDECK LIFT ARM, DISK	1	35	H-73459	SHCS 1/4"-20 X 1/2 SS	2
11	300-4030	LEVEL	2	36	H-74401	CB 5/16"- 18 X 1-3/4" SS	2
12	370-1247	BUSHING 5/16 X 1/2 X 3/16	4	37	H-74418	CB 1/4" - 20 X 5/8" S/S	9
13	5-431	1/4" X 1" KEY	2	38	H-74431	CB 5/16"- 18 X 1-1/4" SS	4
14	5-446	1/2" PLASTIC BARB TEE	1	39	H-74432	CB 5/16"- 18 X 1-1/2" SS	2
15	5-447	1/2 NPT X 1/2" BARB ELBOW	2	40	H-74433	CB 5/16"- 18 X 2" SS	2
16	9-25	9.25" ADJUSTABLE LATERAL ARM	2	41	H-96544	SPRING, 4-1/8" LG X 9/16" OD (42E)	2
17	H-0156758	3/8" X 3-1/2" CLEVIS PIN	2	42	H-NJO4C	JNYL 1/4" - 20 SS	9
18	H-07005	1/2" NPT LOCKNUT	8	43	H-RUE14	3/8" RUE RING COTTER	2
19	H-081	CLAMP 1.0"- 1-1/8" SS	5	44	M-5463K494	1/2 NPT X 1/4" BARB ELBOW	2
20	H-70055	HCS 5/16"- 18 X 1" SS	2	45	M-5463K606	1/4" X 1/4" PLASTIC BARBED TEE	1
21	H-70111	HCS 3/8"- 16 X 2" SS	1	46	T-025B0575	ZERO HOSE	1
22	H-70140	HCS 3/8"-24 X 5/8" SS	8	47	T-025B0575	ZERO HOSE	1
23	H-70856	NYLOK #8-32 SS	4	48	T-025B1400	ZERO HOSE	1
24	H-70858	NYLOK #10-32 SS	8	49	T-050R0575	1/2"ID X 6-1/2"LG SOLUTION HOSE	1
25	H-70860	NYLOK 1/4"- 20 SS	2	50	T-050R0575	1/2"ID X 6-1/2"LG SOLUTION HOSE	1
				51	T-050R1700	SOLUTION HOSE	1



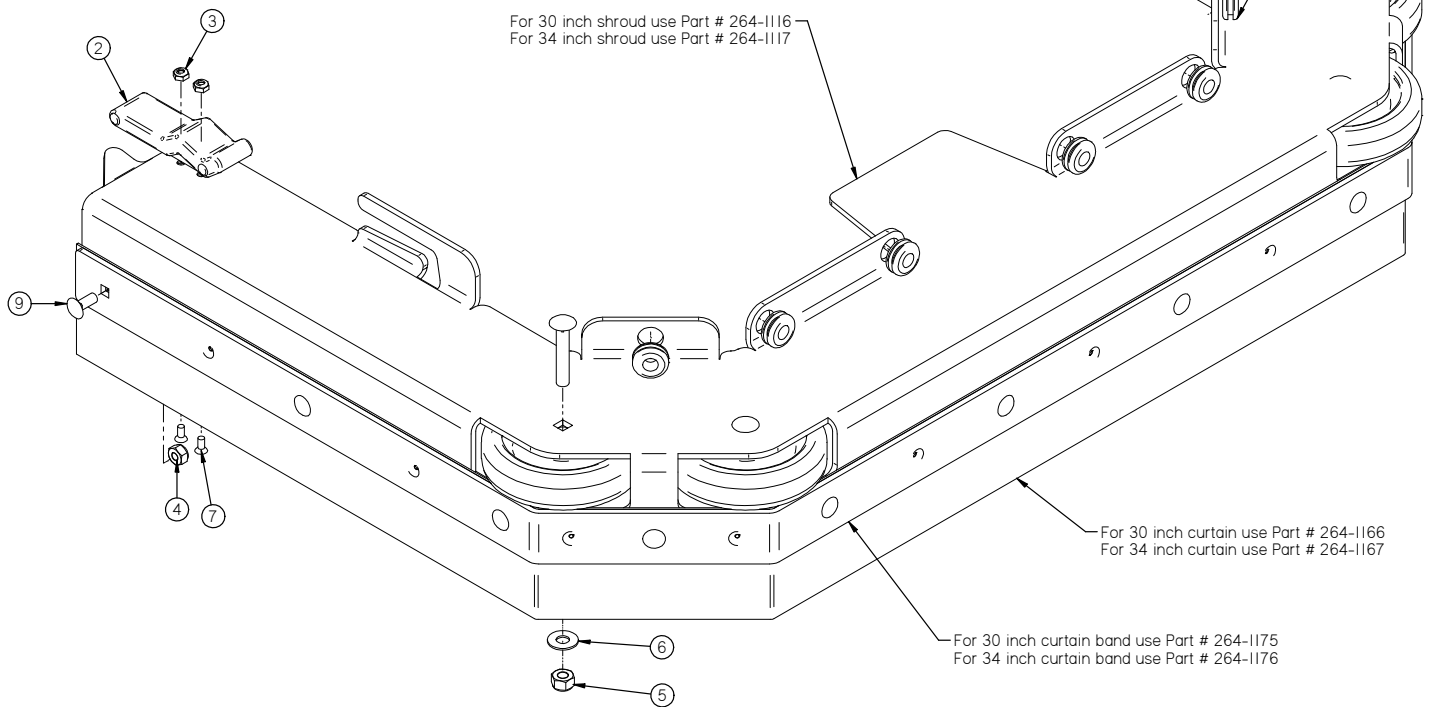
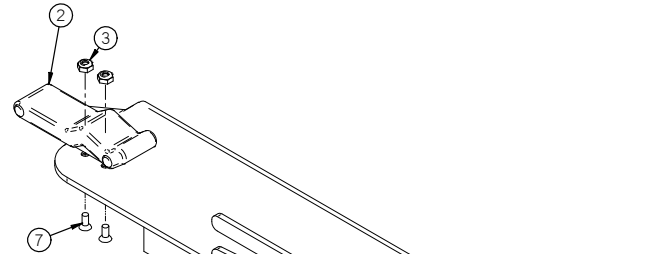
Item	Part No.	Part Description	Qty.
1	175-1128	ROLLER BRACKET	1
2	21-1127	ROLLER	2
3	250-1240	LATCH	1
4	264-1160R	RH JAW HINGE, INNER	1
5	H-0156776	1/2" X 3.5" CLEVIS PIN	1
6	H-13327	HB 5/8"- 11 X 7"	1
7	H-37038	JNYL 5/8"- 11	1
8	H-70005	HCS 1/4"- 20 X 1" SS	1
9	H-70710	HN 1/4"- 20 SS	1
10	H-70858	NYLOK #10-32 SS	2
11	H-70860	NYLOK 1/4"- 20 SS	5
12	H-70861	NYLOK 5/16"- 18 SS	4
13	H-70925	KN 1/4"-20 S/S	9
14	H-72515	PPH #10-32 X 1/2" S/S	2
15	H-73459	SHCS 1/4"-20 X 1/2 SS	1
16	H-74418	CB 1/4"- 20 X 5/8" S/S	14
17	H-74430	CB 5/16"- 18 X 1" SS	4
18	H-NJ04C	JNYL 1/4"- 20 SS	1
19	M-92391A044	HAIRPIN, 5/16" - 3/8" X 1-7/16" S/S	1
20	M-9307K23	GROMMET .625 DIAMETER HOLE .125 THICK PANEL	1

## Jaws Assembly - Left Side

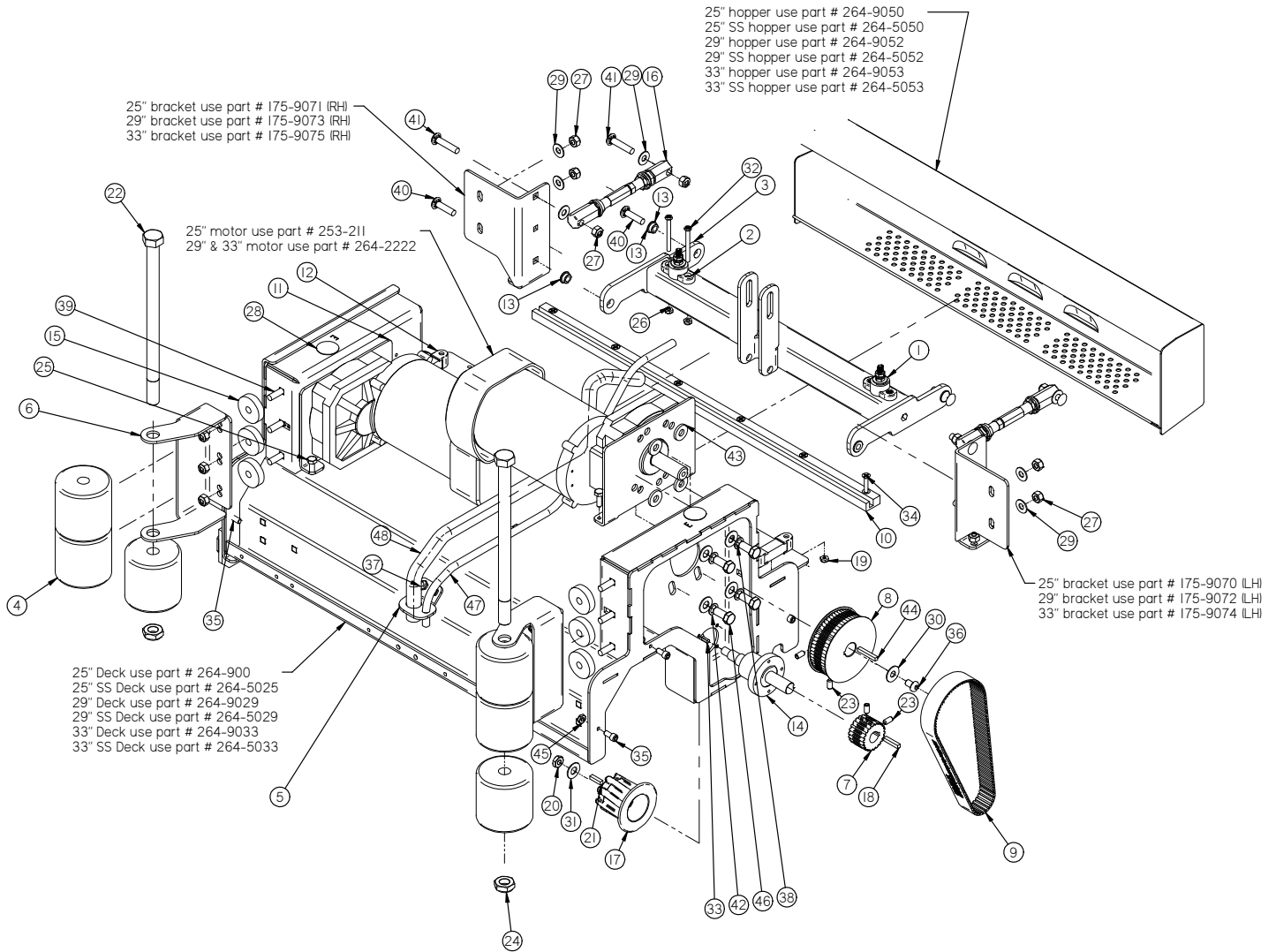


Item	Part No.	Part Description	Qty.
1	I75-1128	ROLLER BRACKET	1
2	21-1127	ROLLER	2
3	250-1240	CLIP	2
4	264-1160L	LH JAW HINGE, INNER	1
5	H-0156776	1/2" X 3.5" CLEVIS PIN	1
6	H-13327	HB 5/8"- 11 X 7"	1
7	H-37038	JNYL 5/8"- 11	1
8	H-70005	HCS 1/4"- 20 X 1" SS	1
9	H-70710	HN 1/4"- 20 SS	1
10	H-70858	NYLOK #10-32 SS	4
11	H-70860	NYLOK 1/4"- 20 SS	5
12	H-70861	NYLOK 5/16" - 18 SS	4
13	H-70925	KN 1/4-20 S/S	9
14	H-72515	PPH #10-32 X 1/2" S/S	4
15	H-74418	CB 1/4"- 20 X 5/8" S/S	14
16	H-74430	CB 5/16"- 18 X 1" SS	4
17	M-92391A044	HAIRPIN, 5/16" - 3/8" X 1-7/16" S/S	1

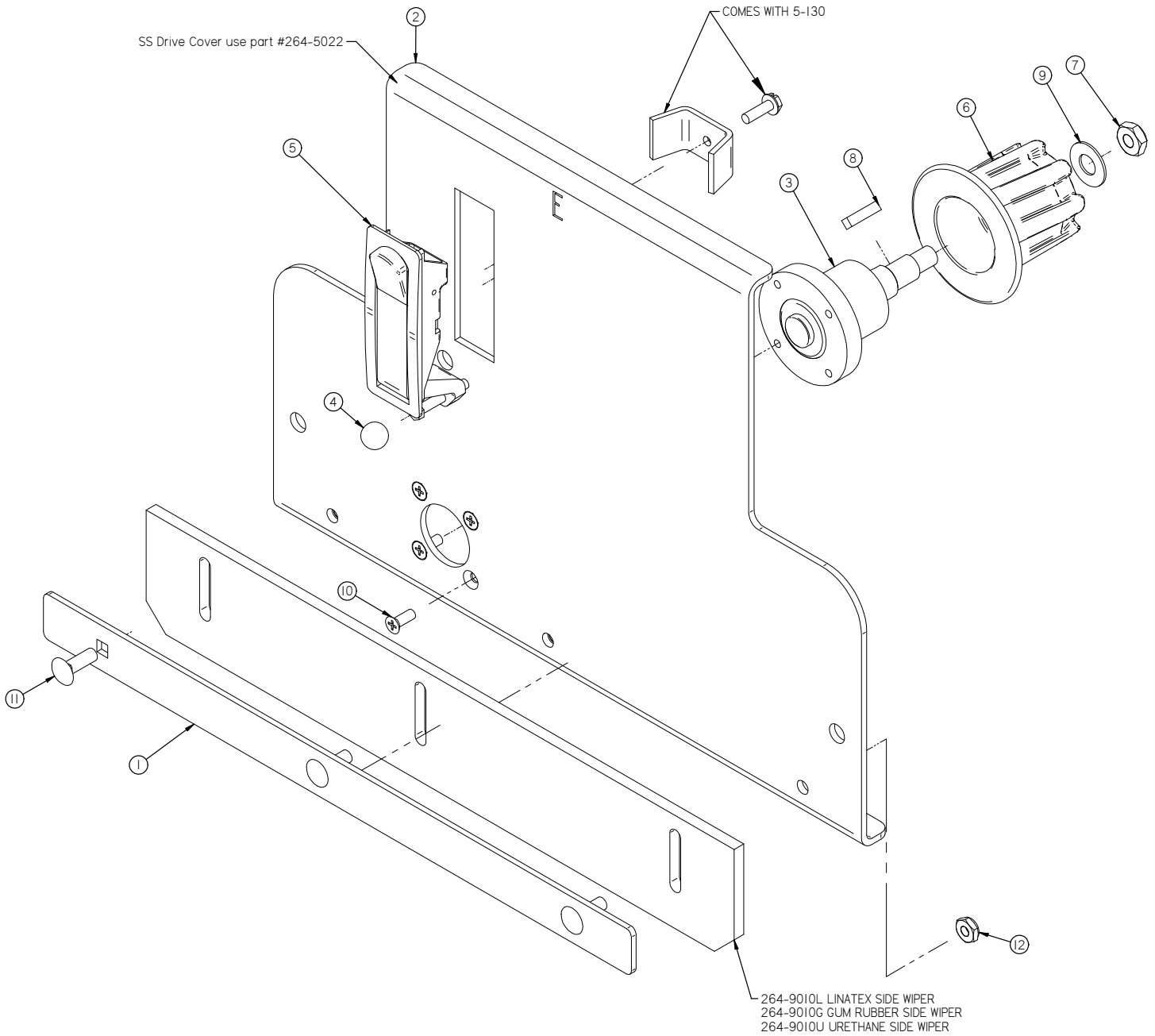
Item	Part No.	Part Description	Qty.
1	150-7600	4" SIDE WHEEL (GREY)	4
2	170-1240	LATCH	2
3	H-70856	NYLOK #8-32 SS	4
4	H-70860	NYLOK 1/4"- 20 SS	12
5	H-70861	NYLOK 5/16" - 18 SS	4
6	H-71015	FW 5/16 ID X 3/4 OD SS	4
7	H-72641	FHP #8-32 X 3/8" SS	4
8	H-74401	CB 5/16"- 18 X 1-3/4" SS	4
9	H-74418	CB 1/4"- 20 X 5/8" S/S	12
10	M-9307K23	GROMMET .625 DIAMETER HOLE .125 THICK PANEL	6



29 Inch & 33 Inch Cylindrical Decks



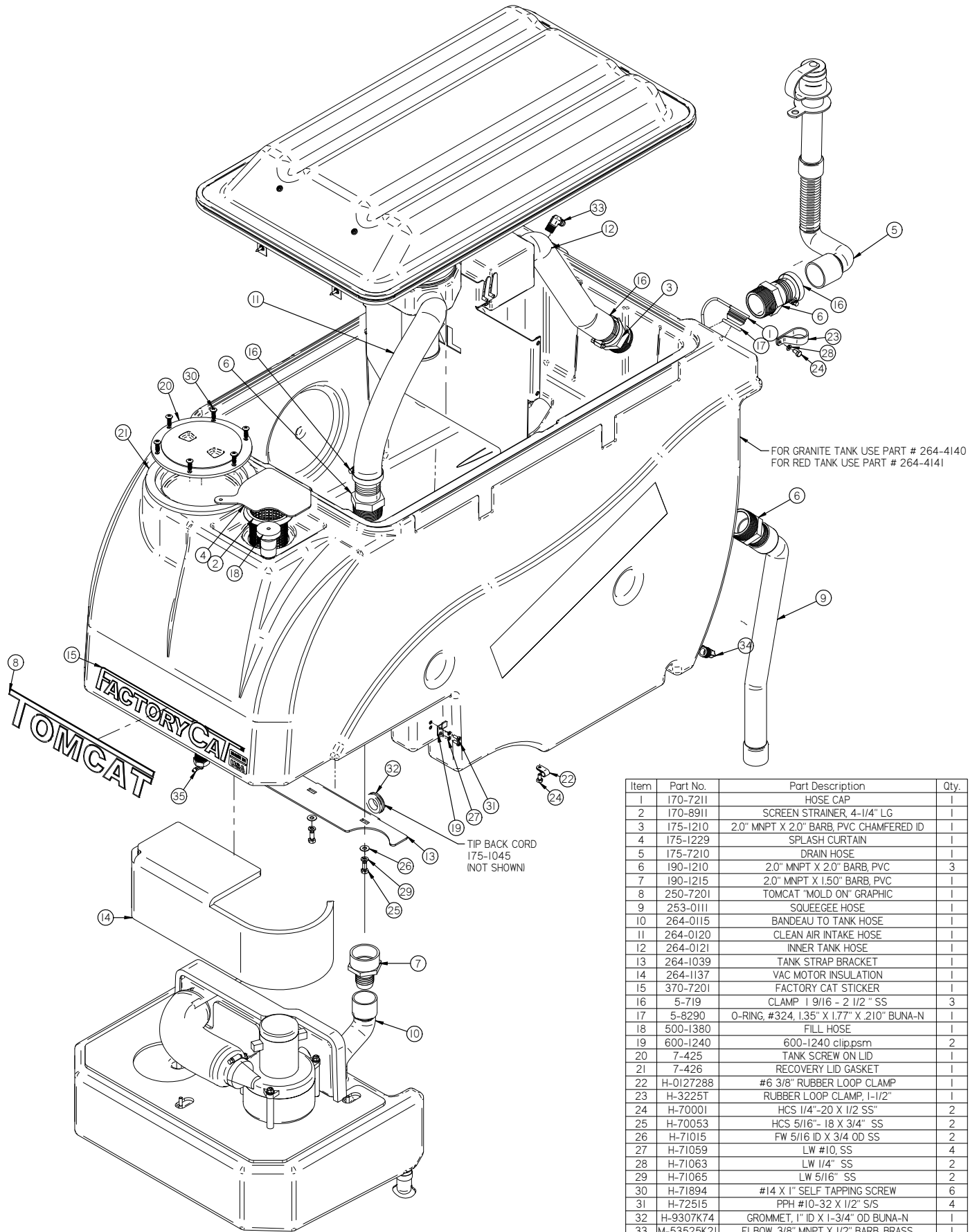
Item	Part No.	Part Description	Qty.	Item	Part No.	Part Description	Qty.
1	175-2700	NEG INSULATOR POST (BLACK)	1	25	H-70003	HCS 1/4"-20 X 3/4" SS	4
2	175-2710	POS INSULATOR POST (RED)	1	26	H-70858	NYLOK #10-32 SS	4
3	175-9590	SCRUBDECK LIFT ARM, CYLINDRICAL	1	27	H-70861	NYLOK 5/16" - 18 SS	22
4	21-1127	ROLLER	6	28	H-70889	HOLE PLUG 7/8"	2
5	253-9003	QUICK DISCONNECT BRACKET	1	29	H-71015	FW 5/16 ID X 3/4 OD SS	12
6	264-1129	ROLLER BRACKET	2	30	H-71016	FW 5/16 ID X 7/8 OD SS	2
7	264-8215	TIMING SPROCKET 26 TOOTH	2	31	H-71017	FW 3/8 ID X 7/8 OD SS	10
8	264-8225	TIMING SPROCKET 56 TOOTH	2	32	H-72556	PPH #10-32 X 2" SS	4
9	264-8230	565-5M-25 HI-PERFORMANCE PD PLUS BELT	2	33	H-72682	FHP #10-32 X 1/2" SS	8
10	264-8325	HOPPER RAIL 25"	1	34	H-72685	FHP 10-32 X 1" SS	6
11	264-9002	MOTOR ADJ BRACKET	2	35	H-73459	SHCS 1/4-20 X 1/2 SS	6
12	300-4030	LEVEL	2	36	H-73777	BHSCS 5/16-18 X 1/2"	2
13	370-1247	BUSHING 5/16 X 1/2 X 3/16	4	37	H-74417	CB 1/4" - 20 X .5" SS	2
14	370-8240A	BEARING HOUSING/BEARING	2	38	H-74429	CB 5/16" - 18 X 3/4" SS	8
15	4-446	GROMMET-3/8 ID X 1-1/2 OD X .375	6	39	H-74430	CB 5/16" - 18 X 1" SS	6
16	6-25	6.25" ADJUSTABLE LATERAL ARM	2	40	H-74431	CB 5/16" - 18 X 1-1/4" SS	4
17	600-8372	CYLINDRICAL DRIVER (BRASS)	2	41	H-74432	CB 5/16" - 18 X 1-1/2" SS	4
18	H-01125	3/16" X 1" KEY	2	42	H-90895	WASHER, SERRATED BELLEVILLE, 3/8", S/S	8
19	H-0129155	JNYL #10-32, 18-8 S/S	6	43	H-98025	FW 3/8" GRADE 8	8
20	H-0171004	JNYL 3/8- 24 SS	2	44	H-K14320	3/16" X 1 1/4" KEY	2
21	H-0953152	3/16" X 3/4" KEY	2	45	H-NJ04C	JNYL 1/4" - 20 SS	7
22	H-11333	HB 5/8" - 11 X 10"	2	46	M-92865A214	HCS 3/8"-24 X 7/8" SS	8
23	H-25382	SETSCREW, KCP, 1/4"-20 X 1/2"	8	47	T-025B2300	ZERO HOSE	1
24	H-37038	JNYL 5/8"- 11	2	48	T-050R1700	SOLUTION FEED HOSE	1



Item	Part No.	Part Description	Qty.
1	264-9015	WIPER BAND	1
2	264-9022	DRIVE COVER	1
3	370-8241A	IDLER DRIVE BEARING	1
4	5-100	GROMMET	1
5	5-130	DOOR LATCH	1
6	600-8371	CYLINDRICAL DRIVER (HARDCOAT)	1
7	H-0171004	JNYL 3/8" - 24 SS	1
8	H-0953152	3/16" X 3/4" KEY	1
9	H-71017	FW 3/8 ID X 7/8 OD SS	1
10	H-72682	FHP #10-32 X 1/2" SS	4
11	H-74419	CB 1/4" - 20 X .75" SS	3
12	H-NJ04C	JNYL 1/4" - 20 SS	3



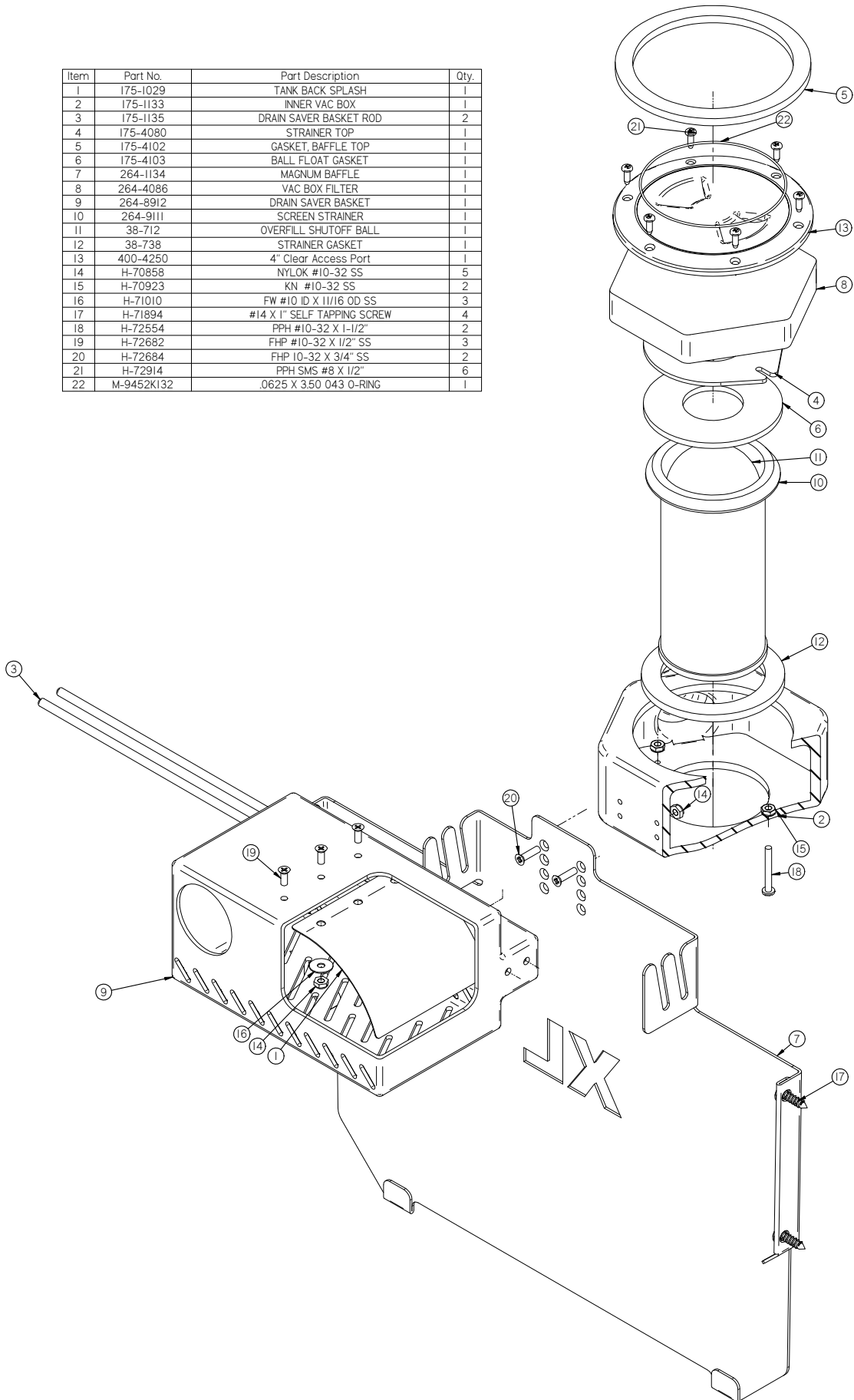
## Standard XL Tank Assembly



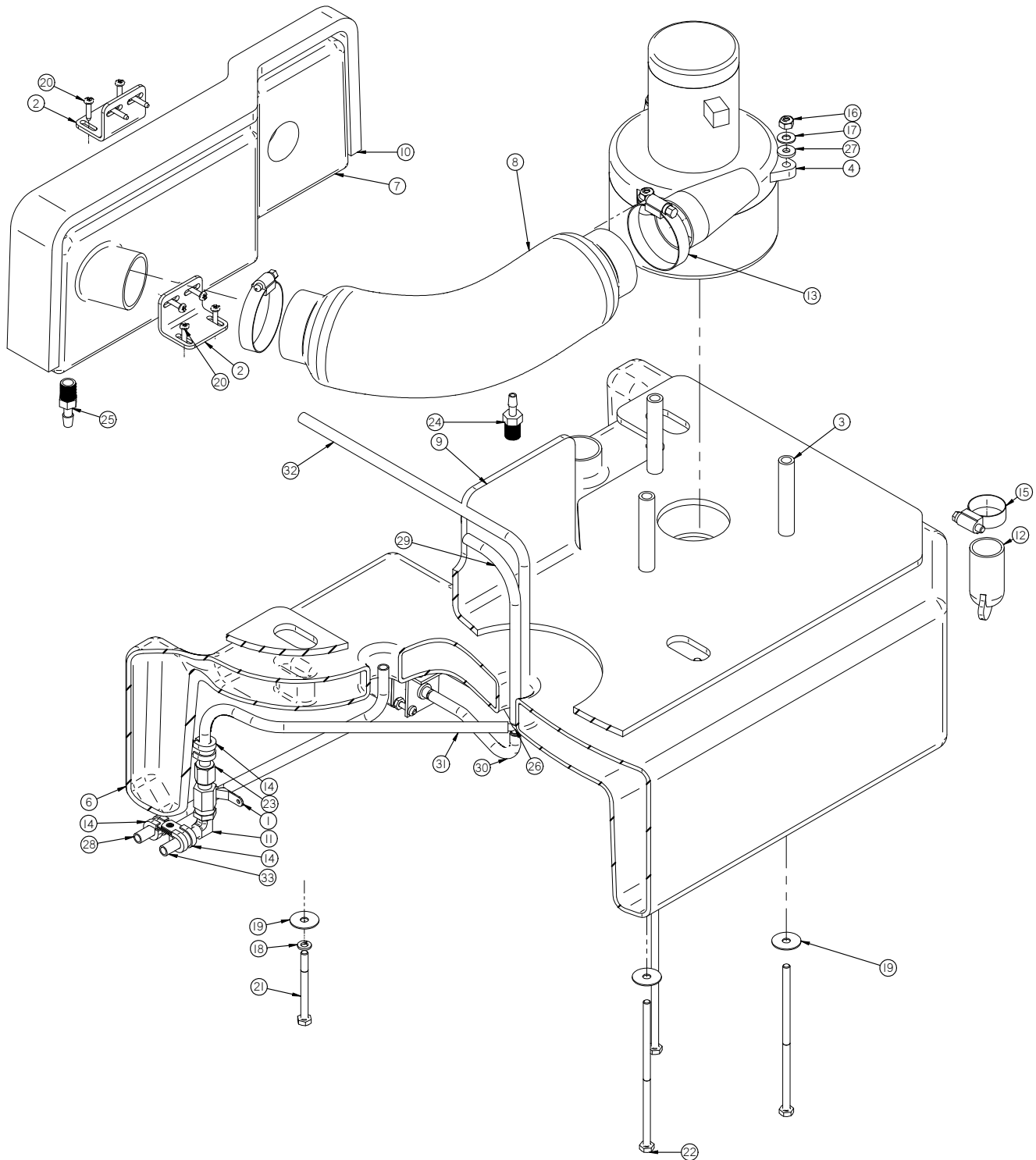
Item	Part No.	Part Description	Qty.
1	170-7211	HOSE CAP	1
2	170-8911	SCREEN STRAINER, 4-1/4" LG	1
3	175-1210	2.0" MNPT X 2.0" BARB, PVC CHAMFERED ID	1
4	175-1229	SPLASH CURTAIN	1
5	175-7210	DRAIN HOSE	1
6	190-1210	2.0" MNPT X 2.0" BARB, PVC	3
7	190-1215	2.0" MNPT X 1.50" BARB, PVC	1
8	250-7201	TOMCAT "MOLD ON" GRAPHIC	1
9	253-0111	SQUEEGEE HOSE	1
10	264-0115	BANDEAU TO TANK HOSE	1
11	264-0120	CLEAN AIR INTAKE HOSE	1
12	264-0121	INNER TANK HOSE	1
13	264-1039	TANK STRAP BRACKET	1
14	264-1137	VAC MOTOR INSULATION	1
15	370-7201	FACTORY CAT STICKER	1
16	5-719	CLAMP 1 9/16" - 2 1/2" SS	3
17	5-8290	O-RING, #324, 1.35" X 1.77" X .210" BUNA-N	1
18	500-1380	FILL HOSE	1
19	600-1240	600-1240 clip.psm	2
20	7-425	TANK SCREW ON LID	1
21	7-426	RECOVERY LID GASKET	1
22	H-0127288	#6 3/8" RUBBER LOOP CLAMP	1
23	H-3225T	RUBBER LOOP CLAMP, 1-1/2"	1
24	H-70001	HCS 1/4"-20 X 1/2 SS"	2
25	H-70053	HCS 5/16"- 18 X 3/4" SS	2
26	H-71015	FW 5/16 ID X 3/4 OD SS	2
27	H-71059	LW #10, SS	4
28	H-71063	LW 1/4" SS	2
29	H-71065	LW 5/16" SS	2
30	H-71894	#14 X 1" SELF TAPPING SCREW	6
31	H-72515	PPH #10-32 X 1/2" S/S	4
32	H-9307K74	GROMMET, 1" ID X 1-3/4" OD BUNA-N	1
33	M-53525K21	ELBOW, 3/8" MNPT X 1/2" BARB, BRASS	1
34	M-53525K58	ELBOW, 1/2" MNPT X 1/2" BARB, BRASS	2
35	M-5463K496	.75 NPT X .25 BARBED X 90 DEG,par	1

## Standard XL Tank - Drain Saver, Vac Box, Baffle Assembly

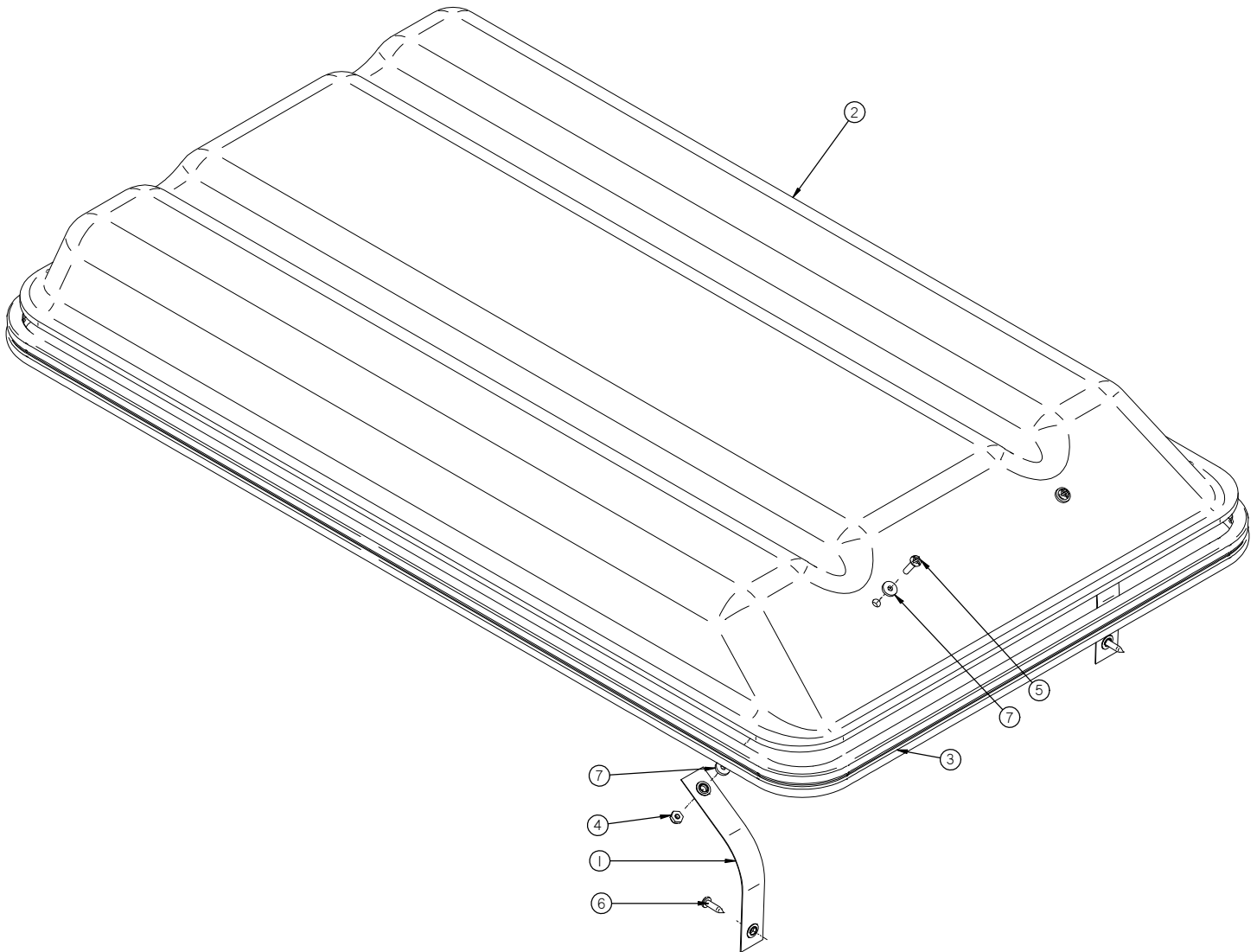
Item	Part No.	Part Description	Qty.
1	175-1029	TANK BACK SPLASH	1
2	175-1133	INNER VAC BOX	1
3	175-1135	DRAIN SAVER BASKET ROD	2
4	175-4080	STRAINER TOP	1
5	175-4102	GASKET, BAFFLE TOP	1
6	175-4103	BALL, FLOAT GASKET	1
7	264-1134	MAGNUM BAFFLE	1
8	264-4086	VAC BOX FILTER	1
9	264-8912	DRAIN SAVER BASKET	1
10	264-9111	SCREEN STRAINER	1
11	38-712	OVERFILL SHUTOFF BALL	1
12	38-738	STRAINER GASKET	1
13	400-4250	4" Clear Access Port	1
14	H-70858	NYLOK #10-32 SS	5
15	H-70923	KN #10-32 SS	2
16	H-71010	FW #10 ID X 11/16 OD SS	3
17	H-71894	#14 X 1" SELF TAPPING SCREW	4
18	H-72554	PPH #10-32 X 1-1/2"	2
19	H-72682	FHP #10-32 X 1/2" SS	3
20	H-72684	FHP 10-32 X 3/4" SS	2
21	H-72914	PPH SMS #8 X 1/2"	6
22	M-9452K132	.0625 X 3.50 O43 O-RING	1



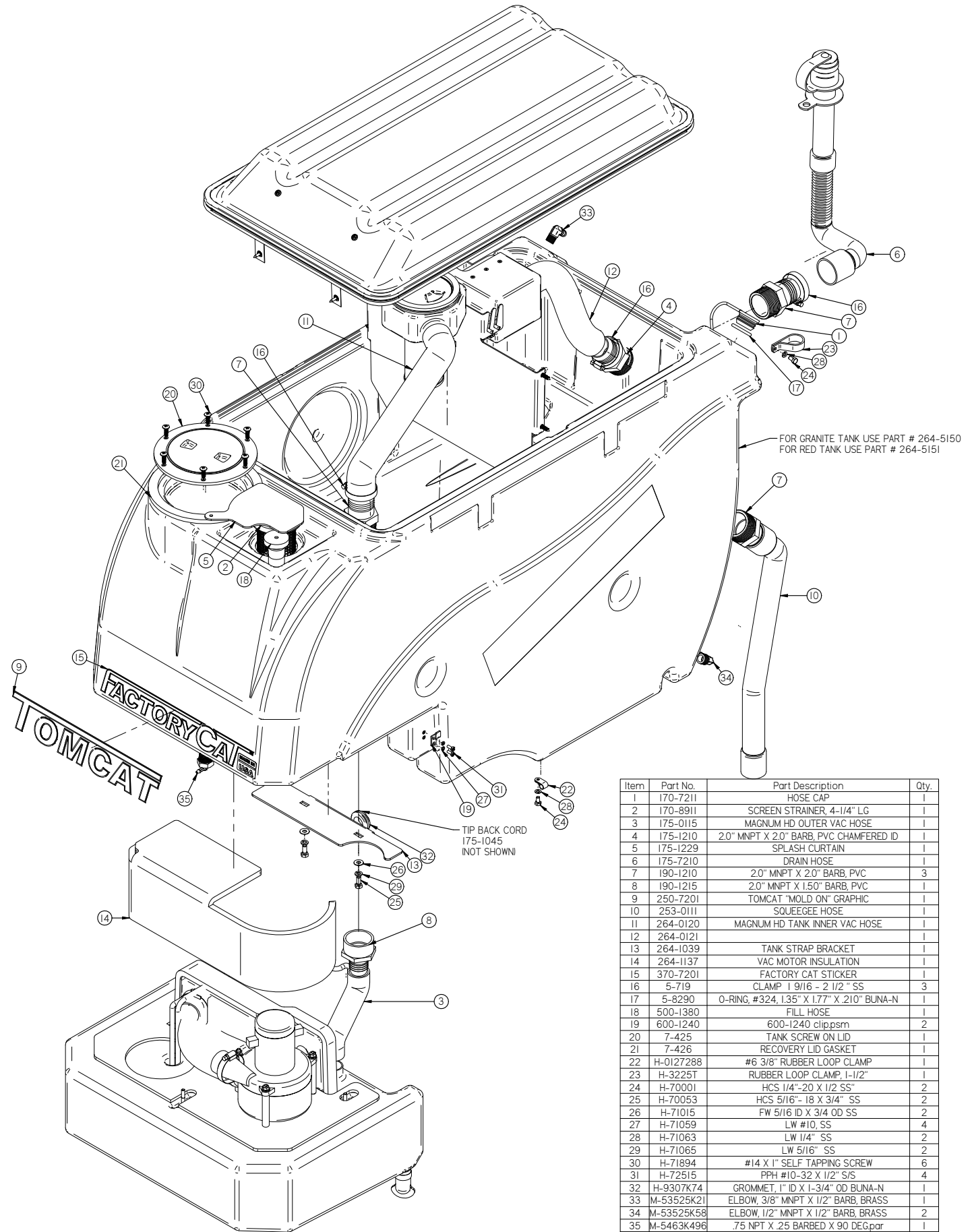
Standard XL Tank - Vacuum Bandeau Assembly



Item	Part No.	Part Description	Qty.	Item	Part No.	Part Description	Qty.
1	170-4158	1/4" NPT VALVE	1	18	H-71063	LW 1/4" SS	3
2	175-1129	VAC MUFFLER BRACKET	2	19	H-71212	FNW 1/4 ID X 1.0 OD SS	6
3	175-2600	SPACER, 3.0" LG	3	20	H-72916	PPH SMS #8 X 3/4" SS	8
4	175-5250	VAC MOTOR, 3/4 HP, TANGENTIAL	1	21	H-77014	HCS 1/4" - 20 X 2.75" SS	3
5*	253-8500	SOAP PUMP, 24V	1	22	H-77025	HCS 1/4" - 20 X 6.0" SS	3
6	264-1147	BANDEAU VAC BOX	1	23	M-5346K51	.25 NPTF X .125 BRASS BARBED HOSE FITTING	1
7	264-1148	VAC MUFFLER WALL	1	24	M-5463K439	.25 NPT X .125 BARB	1
8	264-2502	MAGNUM-XL MUFFLER	1	25	M-5463K445	.25 NPT X .25 BARB	1
9	264-3002	35/37GA VAC MOTOR GASKET	1	26	M-5463K606	1/4" X 1/4" PLASTIC BARBED TEE	1
10	264-7421	SOUND PROFFING	1	27	M-90130A029	.25" NEOPRENE WASHER	3
11	290-4149	1/4" NPT X 1/4" BARB X 90 DEG	1	28	T-025B1200	VAC DRAIN HOSE	1
12	390-1505	LOADER VALVE	1	29	T-025C0800	SUDS HOSE	1
13	5-719	CLAMP 1 9/16 - 2 1/2" SS	2	30	T-025C0800	SUDS HOSE	1
14	H-0127290	1/2" LOOP CLAMP	3	31	T-025C1200	SUDS HOSE	1
15	H-62005	CLAMP 5/8" - 1-1/2" SS	1	32	T-025C1700	SUDS HOSE	1
16	H-70860	NYLOK 1/4" - 20 SS	3	33	T-025G0200	SUDS DRAIN HOSE	1
17	H-71013	FW 1/4 ID X 5/8 OD SS	3				



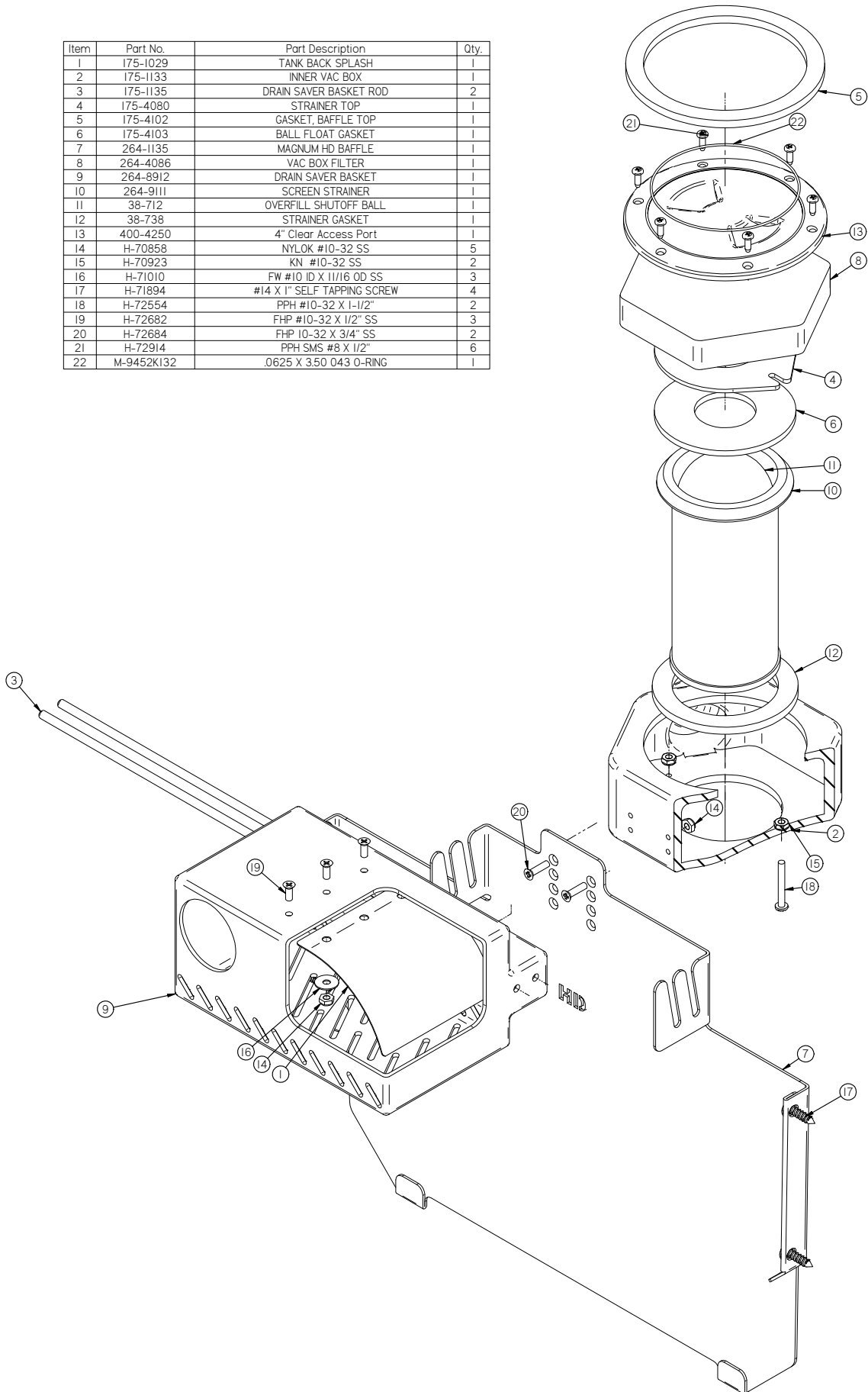
Item	Part No.	Part Description	Qty.
1	175-1412	TANK LID STRAP W/GROMMETS	2
2	264-1410	VAC FORMED SMOKED COVER	1
3	264-4101	PUSH-ON RUBBER GASKET	1
4	H-0129155	JNYL #10-32, 18-8 S/S	2
5	H-72534	PPH #10-32 X 3/4" S/S	2
6	H-72916	PPH SMS #8 X 3/4" SS	2
7	H-90133	.170 ID X .50 OD X .093 TH NEOPRENE WASHER	4



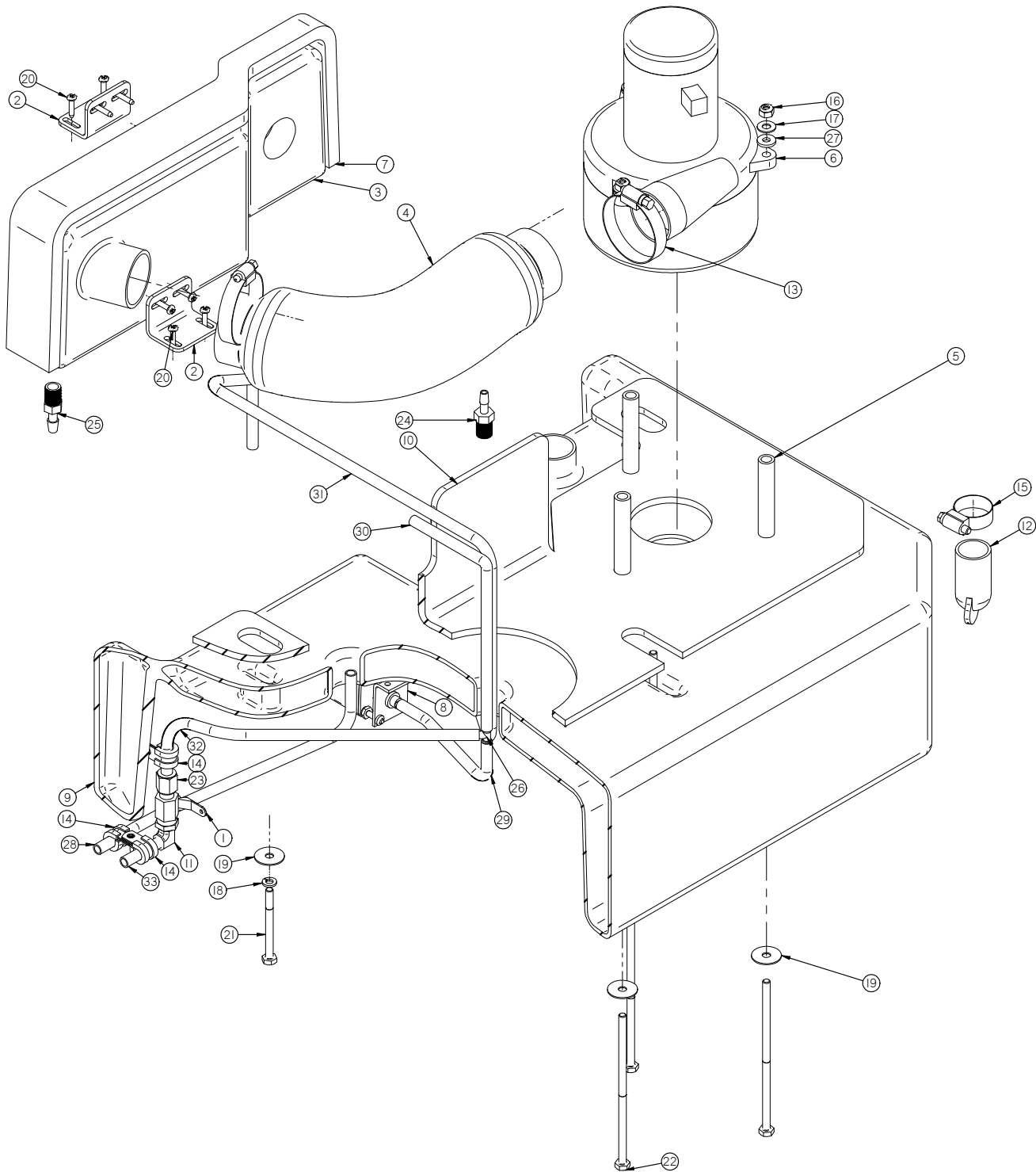
Item	Part No.	Part Description	Qty.
1	170-7211	HOSE CAP	1
2	170-8911	SCREEN STRAINER, 4-1/4" LG	1
3	175-0115	MAGNUM HD OUTER VAC HOSE	1
4	175-1210	2.0" MNPT X 2.0" BARB, PVC CHAMFERED ID	1
5	175-1229	SPLASH CURTAIN	1
6	175-7210	DRAIN HOSE	1
7	190-1210	2.0" MNPT X 2.0" BARB, PVC	3
8	190-1215	2.0" MNPT X 1.50" BARB, PVC	1
9	250-7201	TOMCAT "MOLD ON" GRAPHIC	1
10	253-0111	SQUEEGEE HOSE	1
11	264-0120	MAGNUM HD TANK INNER VAC HOSE	1
12	264-0121		1
13	264-1039	TANK STRAP BRACKET	1
14	264-1137	VAC MOTOR INSULATION	1
15	370-7201	FACTORY CAT STICKER	1
16	5-719	CLAMP 1 9/16 - 2 1/2" SS	3
17	5-8290	O-RING, #324, 1.35" X 1.77" X .210" BUNA-N	1
18	500-1380	FILL HOSE	1
19	600-1240	600-1240 clip.psm	2
20	7-425	TANK SCREW ON LID	1
21	7-426	RECOVERY LID GASKET	1
22	H-0127288	#6 3/8" RUBBER LOOP CLAMP	1
23	H-3225T	RUBBER LOOP CLAMP, 1-1/2"	1
24	H-70001	HCS 1/4"-20 X 1/2 SS"	2
25	H-70053	HCS 5/16"-18 X 3/4" SS	2
26	H-71015	FW 5/16 ID X 3/4 OD SS	2
27	H-71059	LW #10, SS	4
28	H-71063	LW 1/4" SS	2
29	H-71065	LW 5/16" SS	2
30	H-71894	#14 X 1" SELF TAPPING SCREW	6
31	H-72515	PPH #10-32 X 1/2" S/S	4
32	H-9307K74	GROMMET, 1" ID X 1-3/4" OD BUNA-N	1
33	M-53525K21	ELBOW, 3/8" MNPT X 1/2" BARB, BRASS	1
34	M-53525K58	ELBOW, 1/2" MNPT X 1/2" BARB, BRASS	2
35	M-5463K496	.75 NPT X .25 BARBED X 90 DEG.par	1

## Smaller Optional Tank - Drain Saver, Vac Box, Baffle Assembly

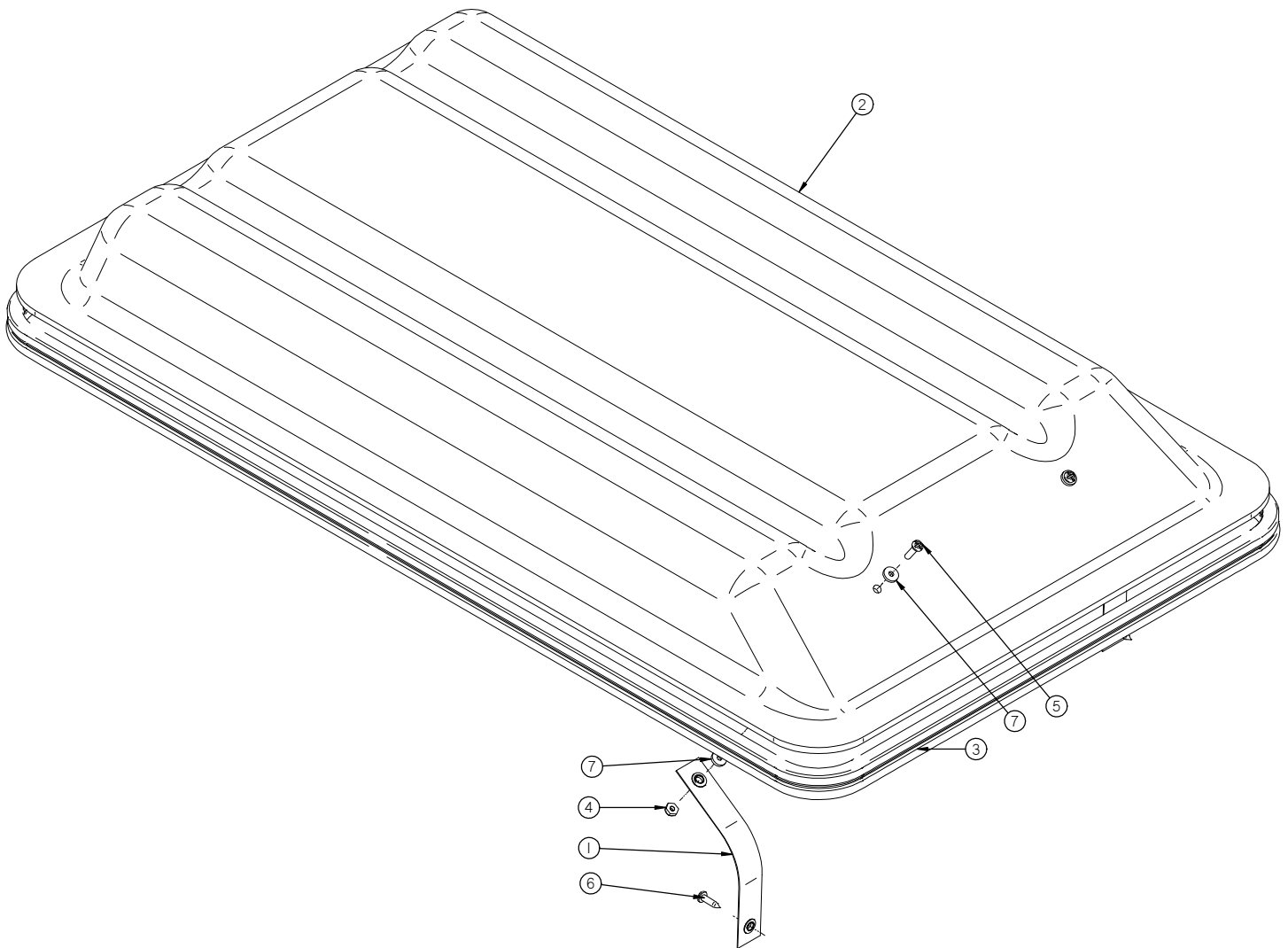
Item	Part No.	Part Description	Qty.
1	175-1029	TANK BACK SPLASH	1
2	175-1133	INNER VAC BOX	1
3	175-1135	DRAIN SAVER BASKET ROD	2
4	175-4080	STRAINER TOP	1
5	175-4102	GASKET, BAFFLE TOP	1
6	175-4103	BALL FLOAT GASKET	1
7	264-1135	MAGNUM HD BAFFLE	1
8	264-4086	VAC BOX FILTER	1
9	264-8912	DRAIN SAVER BASKET	1
10	264-9111	SCREEN STRAINER	1
11	38-712	OVERFILL SHUTOFF BALL	1
12	38-738	STRAINER GASKET	1
13	400-4250	4" Clear Access Port	1
14	H-70858	NYLOK #10-32 SS	5
15	H-70923	KN #10-32 SS	2
16	H-71010	FW #10 ID X 11/16 OD SS	3
17	H-71894	#14 X 1" SELF TAPPING SCREW	4
18	H-72554	PPH #10-32 X 1-1/2"	2
19	H-72682	FHP #10-32 X 1/2" SS	3
20	H-72684	FHP 10-32 X 3/4" SS	2
21	H-72914	PPH SMS #8 X 1/2"	6
22	M-9452K132	.0625 X 3.50 043 O-RING	1



Smaller Optional Tank - Vacuum Bandeau Assembly

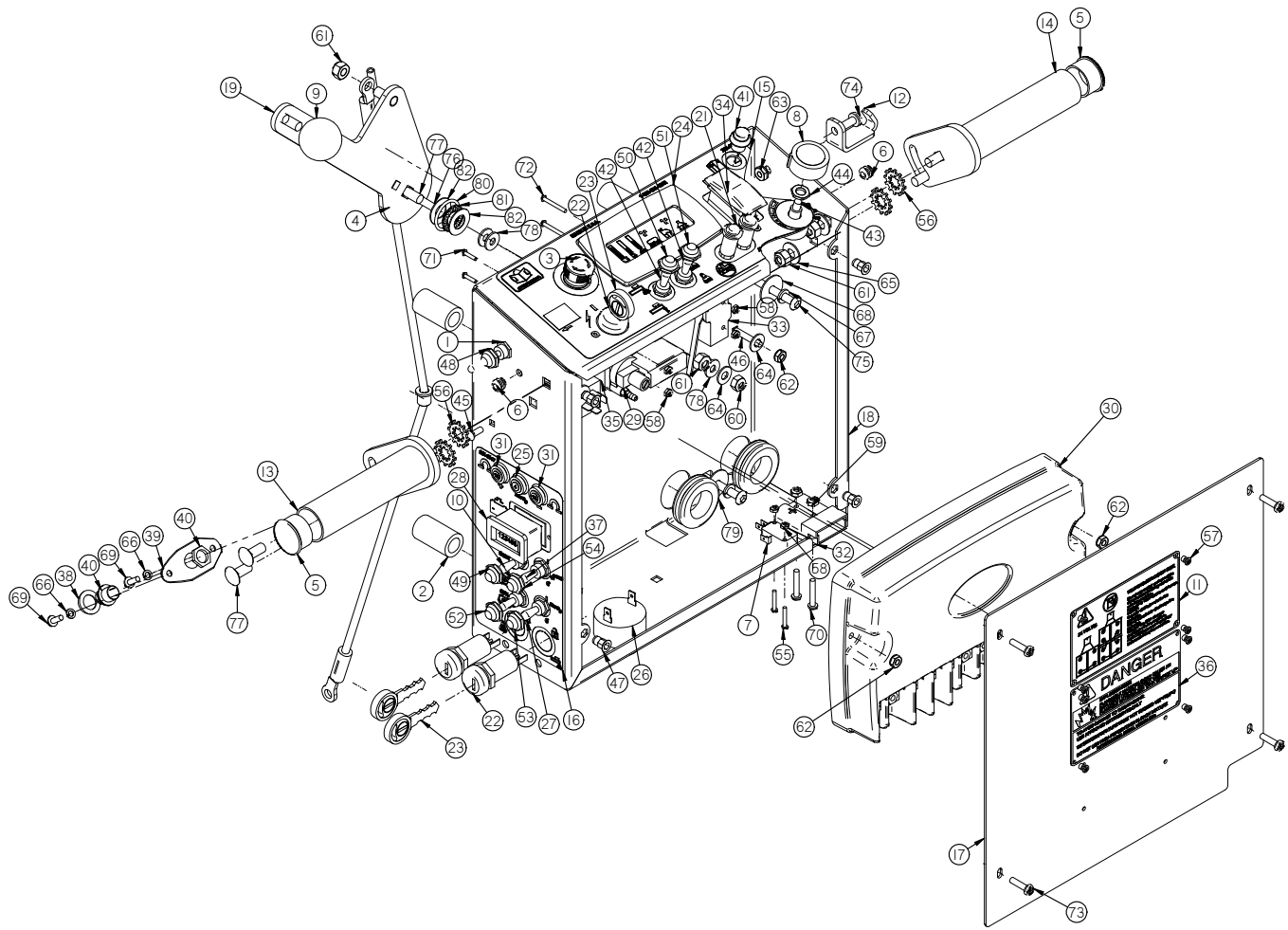


Item	Part No.	Part Description	Qty.	Item	Part No.	Part Description	Qty.
1	170-4158	1/4" NPT VALVE	1	18	H-71063	LW 1/4" SS	3
2	175-1129	VAC MUFFLER BRACKET	2	19	H-71212	FNW 1/4 ID X 1.0 OD SS	6
3	175-1148	VAC MUFFLER WALL	1	20	H-72916	PPH SMS #8 X 3/4" SS	8
4	175-2502	MAGNUM-HD HERO MUFFLER	1	21	H-77014	HCS 1/4"- 20 X 2.75" SS	3
5	175-2600	SPACER, 3.0" LG	3	22	H-77025	HCS 1/4"- 20 X 6.0" SS	3
6	175-5250	VAC MOTOR, 3/4 HP, TANGENTIAL	1	23	M-5346K51	.25 NPTF X .125 BRASS BARBED HOSE FITTING	1
7	175-7421	TANK GASKET	1	24	M-5463K439	.25 NPT X .125 BARB	1
8	253-8500	SOAP PUMP, 24V	1	25	M-5463K445	.25 NPT X .25 BARB	1
9	264-1147	BANDEAU VAC BOX	1	26	M-5463K606	1/4" X 1/4" PLASTIC BARBED TEE	1
10	264-3005	30/32GA VAC MOTOR GASKET	1	27	M-90130A029	.25" NEOPRENE WASHER	3
11	290-4149	1/4" NPT X 1/4" BARB X 90 DEG	1	28	T-025BI700	VAC DRAIN HOSE	1
12	390-1505	LOADER VALVE	1	29	T-025C0800	SUDS HOSE	1
13	5-719	CLAMP 1 9/16 - 2 1/2" SS	2	30	T-025CI700	SUDS HOSE	1
14	H-0127290	1/2" LOOP CLAMP	3	31	T-025CI700	SUDS HOSE	1
15	H-62005	CLAMP 5/8" - 1-1/2" SS	1	32	T-025CI700	SUDS HOSE	1
16	H-70860	NYLOK 1/4"- 20 SS	3	33	T-025G0300	SUDS DRAIN HOSE	1
17	H-71013	FW 1/4 ID X 5/8 OD SS	3				

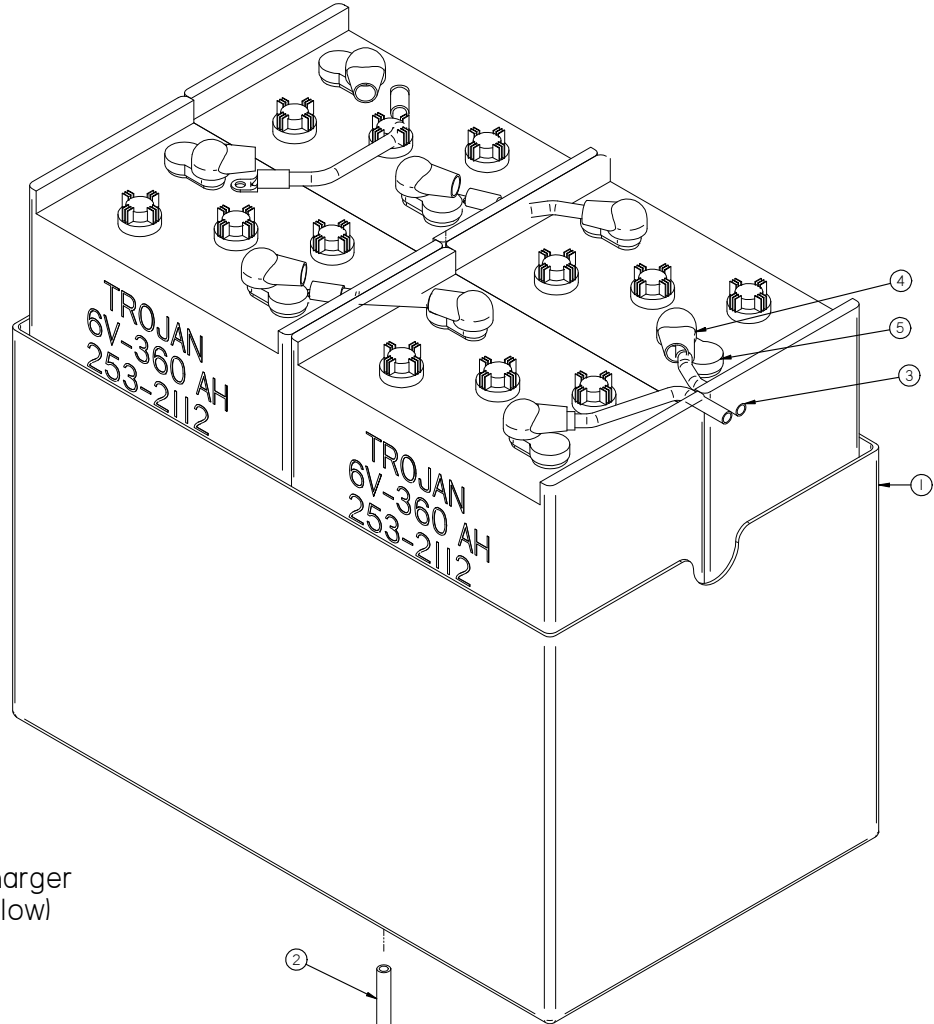


Item	Part No.	Part Description	Qty.
1	175-1412	TANK LID STRAP W/GROMMETS	2
2	264-1420	VAC FORMED SMOKED COVER	1
3	264-4101	PUSH-ON RUBBER GASKET	1
4	H-0129155	JNYL #10-32, 18-8 S/S	2
5	H-72534	PPH #10-32 X 3/4" S/S	2
6	H-72916	PPH SMS #8 X 3/4" SS	2
7	H-90133	.170 ID X .50 OD X .093 TH NEOPRENE WASHER	4

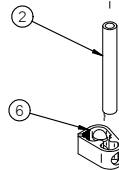
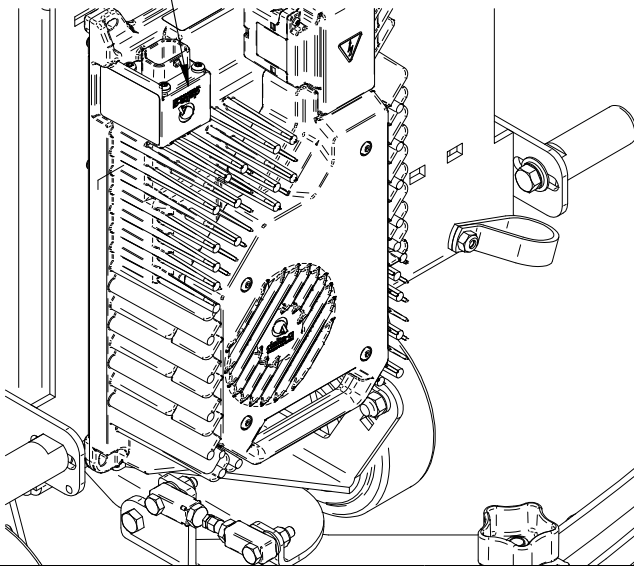




Item	Part No.	Part Description	Qty.	Item	Part No.	Part Description	Qty.
1	150-2830	SWITCH, TOGGLE, MOM/OFF/MOM (DPDT)	1	42	7-283	SWITCH, TOGGLE, MOM/OFF/MOM (DPDT)	2
2	170-2700	SPACER, 1-1/2" LG	4	43	7-292	5K POTENTIOMETER	1
3	175-0300	Emergency stop switch, 51 series, IC/O	1	44	H-0147994	3/8-32 X 1/2" PANEL NUT	1
4	175-7890	SQUEEGEE LIFT CABLE	1	45	H-0172518	CB #10-32 X 1/2" SS	1
5	190-1390	END CAP	2	46	H-0172522	CB #10-32 X 1-1/4" SS	2
6	21-2203	GROMMET, RUBBER 3/16 ID X 13/32 OD X 3/32 TH.	2	47	H-1032HCN	HCN #10-32	4
7	21-2230	MICRO SWITCH	1	48	H-11196	PROTECTIVE BOOT, TOGGLE SWITCH, (RED)	1
8	21-4520	SPEED CONTROL KNOB, RED	1	49	H-11198	PROTECTIVE BOOT, TOGGLE SWITCH, (GREEN)	1
9	21-7101	LIFT KNOB	1	50	H-11199	PROTECTIVE BOOT, TOGGLE SWITCH, (BLUE)	1
10	253-283	SWITCH, TOGGLE, ON/OFF/ON (DPDT)	1	51	H-11200	PROTECTIVE BOOT, TOGGLE SWITCH, (BLACK)	1
11	253-7280	EXPLOSION WARNING PLATE	1	52	H-11202	PROTECTIVE BOOT, TOGGLE SWITCH, (ORANGE)	1
12	253-9491	HOOK	1	53	H-11203	PROTECTIVE BOOT, TOGGLE SWITCH, (PURPLE)	1
13	264-1290	ADJUSTABLE HANDLE BAR, LEFT	1	54	H-11205	PROTECTIVE BOOT, TOGGLE SWITCH, (LIGHT BLUE)	1
14	264-1291	ADJUSTABLE HANDLE BAR, RIGHT	1	55	H-28667	PHP MS 4-40 X 3/4"	2
15	264-2016	MINI MAG TD CONTROL PANEL STICKER	1	56	H-33761	5/16" INT/EXT STAR WASHER	4
16	264-2017	SUDS/SPRAY STICKER	1	57	H-41007	AB4-3A BLIND RIVET	12
17	264-3001	CONTROL PANEL COVER	1	58	H-70854	NYLOK #4-40 SS	6
18	264-3012	CONTROL PANEL BOX, TRACTION	1	59	H-70856	NYLOK #8-32 SS	2
19	264-7100	SQUEEGEE LIFT LEVER	1	60	H-70860	NYLOK 1/4" - 20 SS	1
20	290-2300	LED LIGHT (BLUE)	1	61	H-70861	NYLOK 5/16" - 18 SS	6
21	290-2310	FULL RECOVERY (RED)	1	62	H-70923	KN #10-32 SS	5
22	290-234	KEY SWITCH (WITH KEY)	3	63	H-70925	KN 1/4-20 S/S	1
23	290-234A	KEY SET (REPLACE)	3	64	H-71013	FW 1/4 ID X 5/8 OD SS	3
24	290-2891	LCD SCREEN	1	65	H-71015	FW 5/16 ID X 3/4 OD SS	4
25	349-9604	FUSE, RESETTABLE, 4 AMP, 50V DC MAX	1	66	H-71059	LW #10, SS	8
26	370-2920	ALARM	1	67	H-71063	LW 1/4" SS	4
27	370-8210	SWITCH, TOGGLE, ON/ON (DPDT)	1	68	H-71212	FNW 1/4 ID X 1.0 OD SS	4
28	370-8261	CHARGER COUNTER	1	69	H-72398	PPH #8-32 X 1/2" S/S	8
29	390-2328	SWITCH, VACUUM SHUTOFF	1	70	H-72418	PPH #8-32 X 1" S/S	2
30	390-2899	CONTROLLER V4	1	71	H-72486	PPH #4-40 X 1/2" S/S	2
31	390-9615	FUSE, RESETTABLE, 15 AMP, 50V DC MAX	2	72	H-72494	PPH #4-40 X 1" S/S	2
32	4-259	CONNECTOR, RED 50, HOUSING ONLY	1	73	H-72534	PPH #10-32 X 3/4" S/S	4
33	5-223	LIMIT SWITCH	1	74	H-72588	PPH 1/4-20 X 5/8" SS	1
34	5-234	SWITCH, ROCKER, DPDT, ON/ON	1	75	H-73758	BHSCS 1/4 - 20 X 1-3/4" SS	4
35	5-293	15 AMP RELAY	1	76	H-74420	CB 1/4" - 20 X 1.0" SS	1
36	5-728	DETERGENT WARNING PLATE	1	77	H-74429	CB 5/16" - 18 X 3/4" SS	5
37	5-892	TOGGLE, ON-OFF SPST	2	78	H-76061	FW 1/4" NYLON	3
38	7-227	BUTTON COVER	2	79	H-9307K74	GROMMET, 1" ID X 1-3/4" OD BUNA-N	2
39	7-228	SWITCH MOUNT PLATE	4	80	M-4464T178	NEEDLE ROLLER THRUST BEARING ORING	1
40	7-229	PUSH BUTTON SWITCH	4	81	M-5909K31	NEEDLE ROLLER THRUST BEARING	1
41	7-229D	PUSH BUTTON SWITCH	1	82	M-5909K44	NEEDLE ROLLER THRUST BEARING WASHER	2



On-Board Charger  
(See list below)

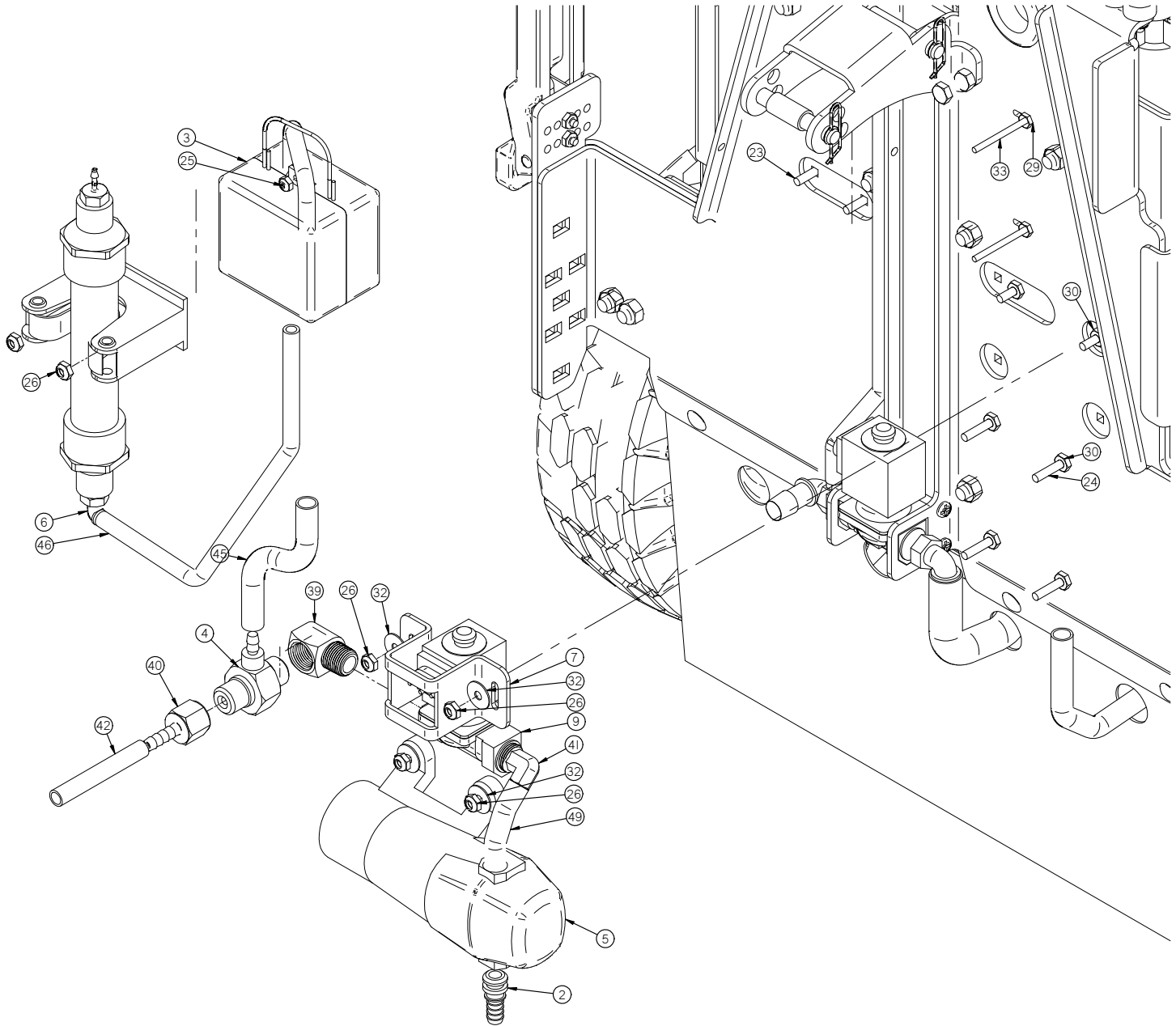


Item	Part No.	Part Description	Qty.
1	253-1480	MAGNUM SERIES BATTERY TRAY	1
2	253-1608	BLACK HOSE, 3-1/4" LG	1
3	253-1901	WIRE HARNESS, COMPLETE	1
4	H-40031	BATTERY BOOT	8
5	H-400317	TERMINAL COVER	8
6	M-5031K12	CLAMP STYLE PINCH VALVE	1

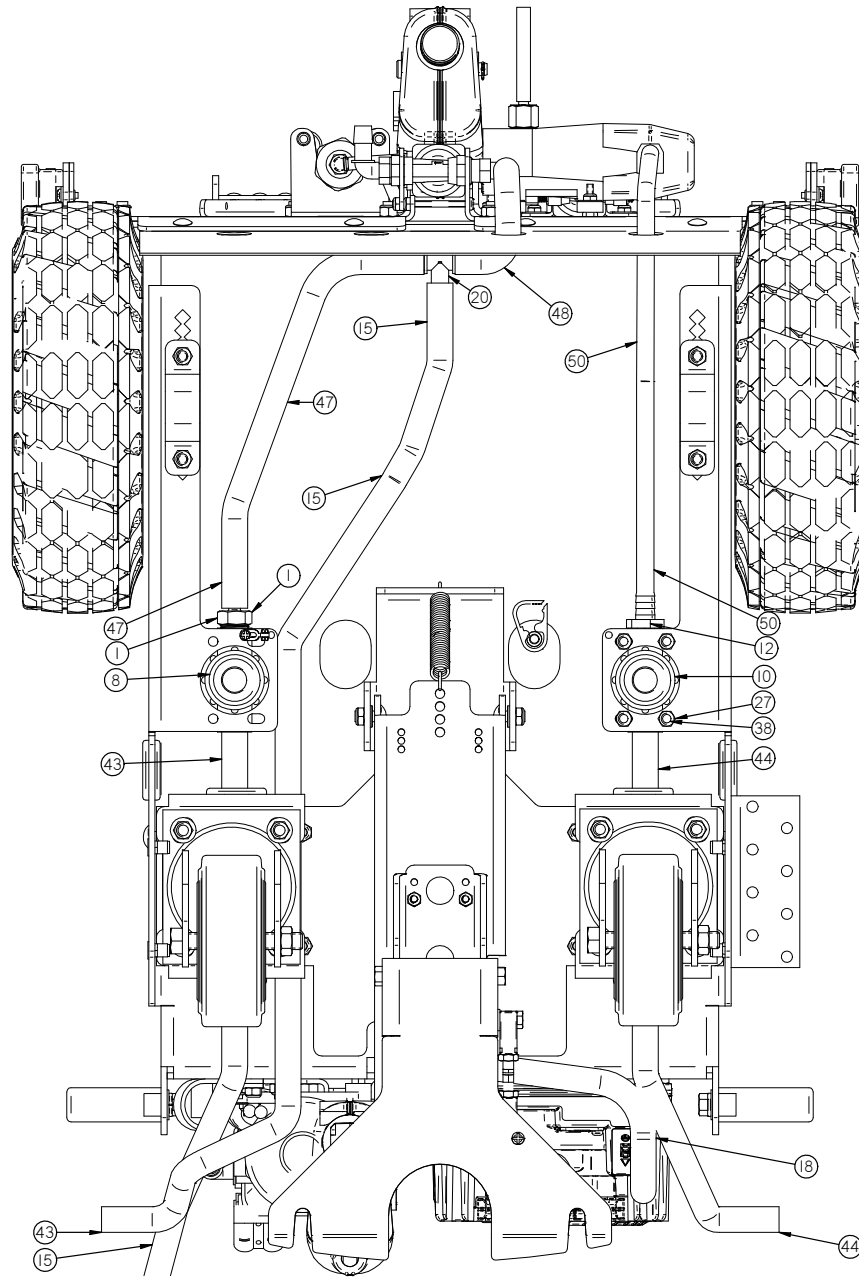
**WHICH BATTERY CHARGER TO USE WITH BATTERY SELECTION**

Battery Part Number & Description	Console Charger / North America	Onboard Charger / North America / International
370-2117 (6V / 315AH - WET)	7-244	175-2460
253-2112 (6V / 360AH - WET)	7-244	175-2460
370-2120 (6V / 335AH - AGM)	N/A	175-2460

ZerO3 Onboard Option Assembly

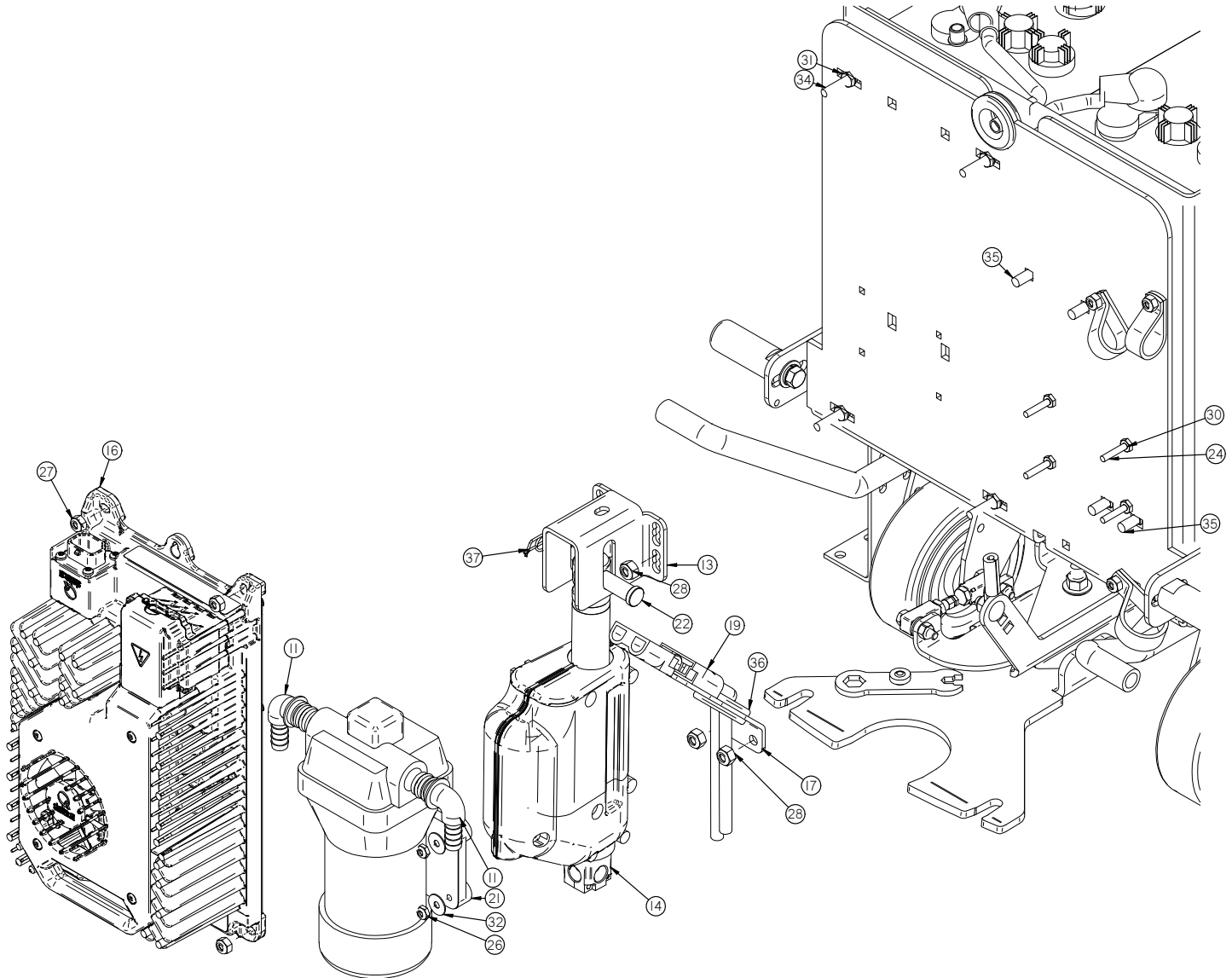


Item	Part No.	Part Description	Qty.	Item	Part No.	Part Description	Qty.
1		.50 NPT X .375 BARB.par	1	26	H-70858	NYLOK #10-32 SS	5
2	123-1601	3/8 BARBED FITTING	1	27	H-70860	NYLOK 1/4" - 20 SS	2
3	123-2333	ZERO GENERATORS	1	28	H-70861	NYLOK 5/16" - 18 SS	2
4	123-8510	RED INJECTOR	1	29	H-70921	KN #6-32	1
5	123-8910	PUMP, WATER JET	1	30	H-70923	KN #10-32 SS	3
6	123-9134	AIR DRYER	1	31	H-70925	KN 1/4-20 S/S	1
7	150-5280	VALVE BRACKET	1	32	H-71010	FW #10 ID X 11/16 OD SS	4
8	155-9130	INLINE FILTER	1	33	H-72393	PPH #6-32 X 2" MS S/S	1
9	170-4500	24V VALVE	1	34	H-74421	CB 1/4" - 20 X 1-1/4" SS	1
10	175-9130	INLINE FILTER	1	35	H-74429	CB 5/16" - 18 X 3/4" SS	2
11	21-1601	1/2" BARBED ELBOW (PLASTIC)	2	36	H-9307K74	GROMMET, 1" ID X 1-3/4" OD BUNA-N	1
12	21-1606	1/2" MALE NPT X 1/2" BARB	1	37	H-RUE22	1/2" RUE RING COTTER	1
13	253-1099	AUTO SQUEEGEE LIFT BRACKET	1	38	M-3043T13	1/4-20 X 10" U-BOLT	1
14	253-2240	2" STROKE 24V ACTUATOR 450 LB LOAD	1	39	M-50785K441	.375 MALE NPT X .375 FEMALE NPT ELBOW 90 DEG	1
15	264-1370	SIGHT TUBE	1	40	M-5346K52	.375 NPT X .25 BRASS BARBED HOSE FITTING	1
16	264-2440	ON BOARD CHARGER 1200-24	1	41	M-53525K18	.375 NPT X 3/75 BRASS BARBED ELBOW	1
17	264-9516	CHARGER CONECTOR BRACKET	1	42	T-025B1700	ZERO HOSE	1
18	290-8960	SPRAY JET HOSE	1	43	T-025C0000	ZERO HOSE	1
19	4-259	CONNECTOR, RED 50, HOUSING ONLY	1	44	T-025C0000	ZERO HOSE	1
20	5-446	1/2" PLASTIC BARB TEE	1	45	T-025CS0400	ZERO HOSE	1
21	5-891	PUMP, WATER JET	1	46	T-025CS1200	ZERO HOSE	1
22	H-0156771	CLEVIS PIN, 1/2" OD X 2" LG	1	47	T-050R1450	1/2"ID X 14-1/2"LG SOLUTION HOSE	1
23	H-0172520	CB #10-32 X 3/4" SS	1	48	T-050R2700	1/2"ID X 27"LG SOLUTION HOSE	1
24	H-0172522	CB #10-32 X 1-1/4" SS	2	49	T-375R0200	ZERO HOSE	1
25	H-70855	NYLOK #6-32 SS	1	50	T-375R1700	ZERO HOSE	1



Item	Part No.	Part Description	Qty.	Item	Part No.	Part Description	Qty.
1		.50 NPT X .375 BARB,par	1	26	H-70858	NYLOK #10-32 SS	5
2	123-1601	3/8 BARBED FITTING	1	27	H-70860	NYLOK 1/4"- 20 SS	2
3	123-2333	ZERO GENERATORS	1	28	H-70861	NYLOK 5/16" - 18 SS	2
4	123-8510	RED INJECTOR	1	29	H-70921	KN #6-32	1
5	123-8910	PUMP, WATER JET	1	30	H-70923	KN #10-32 SS	3
6	123-9134	AIR DRYER	1	31	H-70925	KN 1/4-20 S/S	1
7	150-5280	VALVE BRACKET	1	32	H-71010	FW #10 ID X 1 1/16 OD SS	4
8	155-9130	INLINE FILTER	1	33	H-72393	PPH #6-32 X 2" MS S/S	1
9	170-4500	24V VALVE	1	34	H-74421	CB 1/4"- 20 X 1-1/4" SS	1
10	175-9130	INLINE FILTER	1	35	H-74429	CB 5/16"- 18 X 3/4" SS	2
11	21-1601	1/2" BARBED ELBOW (PLASTIC)	2	36	H-9307K74	GROMMET, 1" ID X 1-3/4" OD BUNA-N	1
12	21-1606	1/2 MALE NPT X 1/2" BARB	1	37	H-RUE22	1/2" RUE RING COTTER	1
13	253-1099	AUTO SQUEEGEE LIFT BRACKET	1	38	M-3043T13	1/4-20 X 1.0" U-BOLT	1
14	253-2240	2" STROKE 24V ACTUATOR 450 LB LOAD	1	39	M-50785K441	.375 MALE NPT X .375 FEMALE NPT ELBOW 90 DEG	1
15	264-1370	SIGHT TUBE	1	40	M-5346K52	.375 NPT X .25 BRASS BARBED HOSE FITTING	1
16	264-2440	ON BOARD CHARGER 1200-24	1	41	M-53525K18	.375 NPT X 375 BRASS BARBED ELBOW	1
17	264-9516	CHARGER CONECTOR BRACKET	1	42	T-025B1700	ZERO HOSE	1
18	290-8960	SPRAY JET HOSE	1	43	T-025C0000	ZERO HOSE	1
19	4-259	CONNECTOR, RED 50, HOUSING ONLY	1	44	T-025C0000	ZERO HOSE	1
20	5-446	1/2 " PLASTIC BARB TEE	1	45	T-025CS0400	ZERO HOSE	1
21	5-891	PUMP, WATER JET	1	46	T-025CS1200	ZERO HOSE	1
22	H-0156771	CLEVIS PIN, 1/2" OD X 2" LG	1	47	T-050R1450	1/2"ID X 14-1/2"LG SOLUTION HOSE	1
23	H-0172520	CB #10-32 X 3/4" SS	1	48	T-050R2700	1/2"ID X 27"LG SOLUTION HOSE	1
24	H-0172522	CB #10-32 X 1-1/4" SS	2	49	T-375R0200	ZERO HOSE	1
25	H-70855	NYLOK #6-32 SS	1	50	T-375R1700	ZERO HOSE	1

Onboard Charger, Spray Jet, & Actuator Lift Option



Item	Part No.	Part Description	Qty.	Item	Part No.	Part Description	Qty.
1		.50 NPT X .375 BARB.par	1	26	H-70858	NYLOK #10-32 SS	5
2	123-1601	3/8 BARBED FITTING	1	27	H-70860	NYLOK 1/4"- 20 SS	2
3	123-2333	ZERO GENERATORS	1	28	H-70861	NYLOK 5/16" - 18 SS	2
4	123-8510	RED INJECTOR	1	29	H-70921	KN #6-32	1
5	123-8910	PUMP, WATER JET	1	30	H-70923	KN #10-32 SS	3
6	123-9134	AIR DRYER	1	31	H-70925	KN 1/4-20 S/S	1
7	150-5280	VALVE BRACKET	1	32	H-71010	FW #10 ID X 11/16 OD SS	4
8	155-9130	INLINE FILTER	1	33	H-72393	PPH #6-32 X 2" MS S/S	1
9	170-4500	24V VALVE	1	34	H-74421	CB 1/4"- 20 X 1-1/4" SS	1
10	175-9130	INLINE FILTER	1	35	H-74429	CB 5/16"- 18 X 3/4" SS	2
11	21-1601	1/2" BARBED ELBOW (PLASTIC)	2	36	H-9307K74	GROMMET, 1" ID X 1-3/4" OD BUNA-N	1
12	21-1606	1/2 MALE NPT X 1/2" BARB	1	37	H-RUE22	1/2" RUE RING COTTER	1
13	253-1099	AUTO SQUEEGEE LIFT BRACKET	1	38	M-3043T13	1/4-20 X 1.0" U-BOLT	1
14	253-2240	2" STROKE 24V ACTUATOR 450 LB LOAD	1	39	M-50785K441	.375 MALE NPT X .375 FEMALE NPT ELBOW 90 DEG	1
15	264-1370	SIGHT TUBE	1	40	M-5346K52	.375 NPT X .25 BRASS BARBED HOSE FITTING	1
16	264-2440	ON BOARD CHARGER 1200-24	1	41	M-53525K18	.375 NPT X 375 BRASS BARBED ELBOW	1
17	264-9516	CHARGER CONECTOR BRACKET	1	42	T-025B1700	ZERO HOSE	1
18	290-8960	SPRAY JET HOSE	1	43	T-025C0000	ZERO HOSE	1
19	4-259	CONNECTOR, RED 50, HOUSING ONLY	1	44	T-025C0000	ZERO HOSE	1
20	5-446	1/2 " PLASTIC BARB TEE	1	45	T-025CS0400	ZERO HOSE	1
21	5-891	PUMP, WATER JET	1	46	T-025CS1200	ZERO HOSE	1
22	H-0156771	CLEVIS PIN, 1/2" OD X 2" LG	1	47	T-050R1450	1/2"ID X 14-1/2"LG SOLUTION HOSE	1
23	H-0172520	CB #10-32 X 3/4" SS	1	48	T-050R2700	1/2"ID X 27"LG SOLUTION HOSE	1
24	H-0172522	CB #10-32 X 1-1/4" SS	2	49	T-375R0200	ZERO HOSE	1
25	H-70855	NYLOK #6-32 SS	1	50	T-375R1700	ZERO HOSE	1

**ROUND DISK BRUSHES:**

**NOTICE**

The ## in Disk Column Denotes Desk Pad Size: 15" or 17"

BRUSHES	DISK	LEVEL
Super Grit	##-382SS	Very High
Tough Grit	##-382S	High
Midi Grit	##-382C	Medium
Light Grit	##-382PS	Moderate
Poly	##-382P	Light
Nylon	##-382N	Light
Tampico	##-382T	Light
Pad Driver	##-382D	
Diamond Driver	##-382DD	

**ROUND DISK PADS:**

**NOTICE**

The ## in Disk Column Denotes Desk Pad Size: 15" or 17"

DISK PADS	DISK	LEVEL	COLOR
Super Black	##-422BB	Very High	Black
Black	##-422B	High	Black
Brown	##-422BR	High	Brown
Green	##-422G	Medium	Green
Blue	##-422BL	Moderate	Blue
Red	##-422R	Moderate	Red
White	##-422W	Light	White

**CYLINDRICAL BRUSHES:**

BRUSHES	MODEL 29" CYLINDRICAL	MODEL 33" CYLINDRICAL	LEVEL
Tough Grit	276-697S	316-697S	High
Midi Grit	276-697C	316-697C	Medium
Light Grit	276-697PS	316-697PS	Moderate
Nylon	276-697N	316-697N	Light
Tampico	276-697T	316-697T	Light

Common Wear Parts

**SQUEEGEE BLADE KITS & COMPLETE SQUEEGEE ASSEMBLIES:**

SQUEEGEE SIZE	28" EDGE DECKS	29" CYL. DECKS	30" DISK DECKS	32" EDGE DECKS	33" CYL. DECKS	34" DISK DECKS
36" Squeegee	Standard	Standard	Standard	Optional	Optional	Optional
42" Squeegee	Optional	Optional	Optional	Standard	Standard	Standard

SQUEEGEE SIZE	LINATEX BLADE KIT	GUM RUBBER BLADE KIT	URETHANE BLADE KIT	COMPLETE SQUEEGEE ASSEMBLIES
36" Squeegee	36-770L	36-770G	36-770U	36-7180
42" Squeegee	42-770L	42-770G	42-770U	42-7180

SQUEEGEE MATERIAL:	USED FOR:
<b>LINATEX</b>	Provides best wear and tear resistance. Not designed for use with harsh chemicals.
<b>URETHANE</b>	Provides best resistance when dealing with harsh chemicals, oils, fuels, etc.
<b>GUM</b>	Provides best drying performance on rough/grouted floor types by sealing over irregularities. Short life.

**NOTICE**

Squeegee blade kits include (1) Rear Blade, (1) Front Blade, and (2) Caster Wheels with hardware.

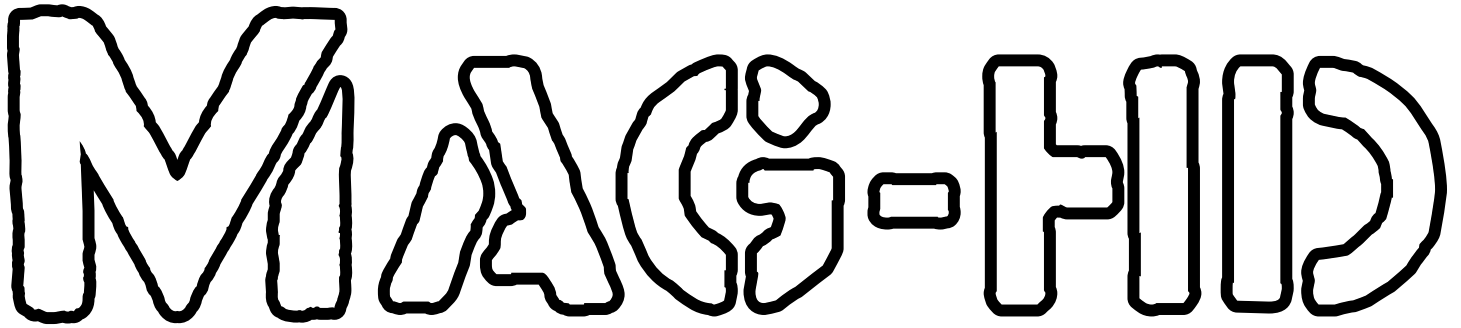
**NOTICE**

Squeegee Assemblies (complete) listed above all come with Linatex blades.

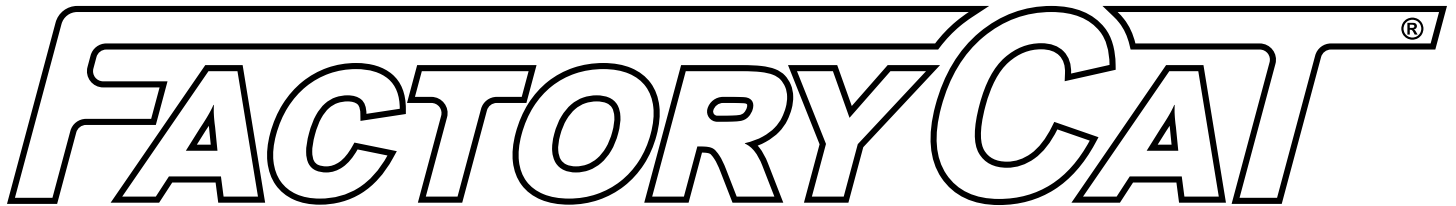
**NOTICE**

Size is stamped into the top of the painted steel squeegee body on all squeegee's.





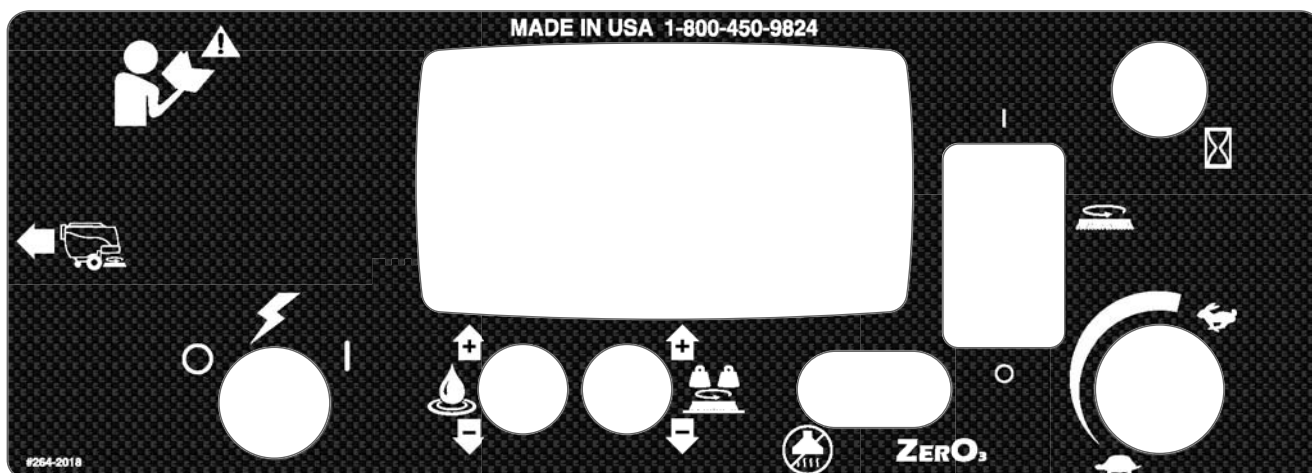
Side Model Sticker - HERO Part #: 264-1516



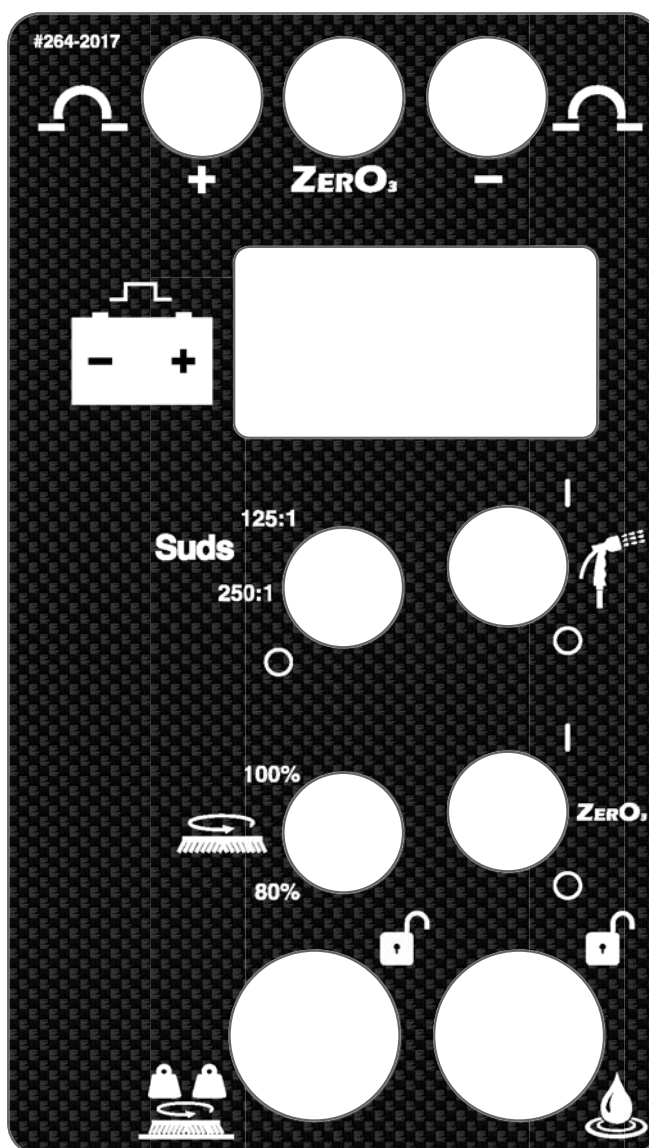
Front FactoryCat Sticker Part #: 370-7201



Central Command Stickers



Central Command Sticker - Part #: 264-2018



Central Command Side Sticker - Part #: 264-2017

**BLANK**

THIS PAGE WAS INTENTIONALLY LEFT BLANK

**BLANK**

THIS PAGE WAS INTENTIONALLY LEFT BLANK

**FACTORYCAT<sup>®</sup>**

1711 South Street  
Racine, WI 53404  
[www.factorycat.com](http://www.factorycat.com)  
Tel. US: 800-634-4060  
Tel. Int: (001) 262-681-3583