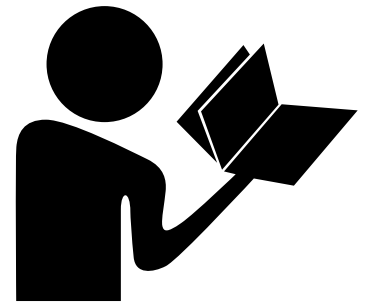
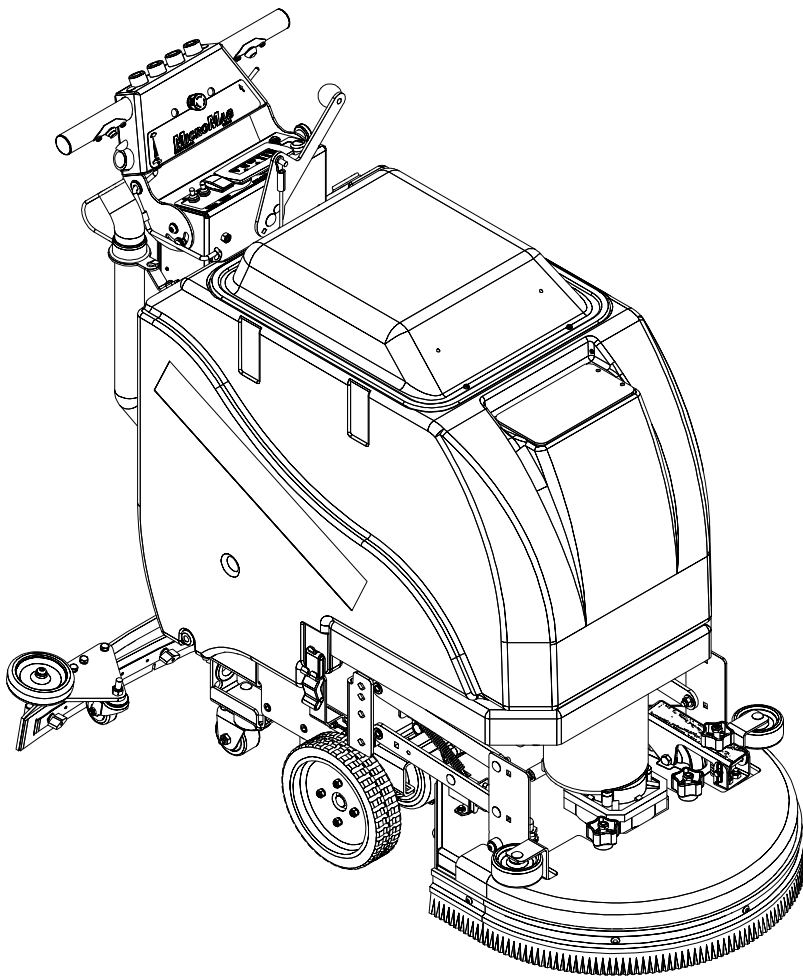


**FACTORYCAT**

# MICRO-HID

## Parts Manual (EN)



Read Operation Instructions  
before using the machine.



Read the Safety Messages  
before using the machine.

www.factorycat.com  
1711 South Street  
Racine, WI 53404 (USA)  
(800) 634-4060 | (+001) 262-681-3583  
© 2017 RPS Corporation

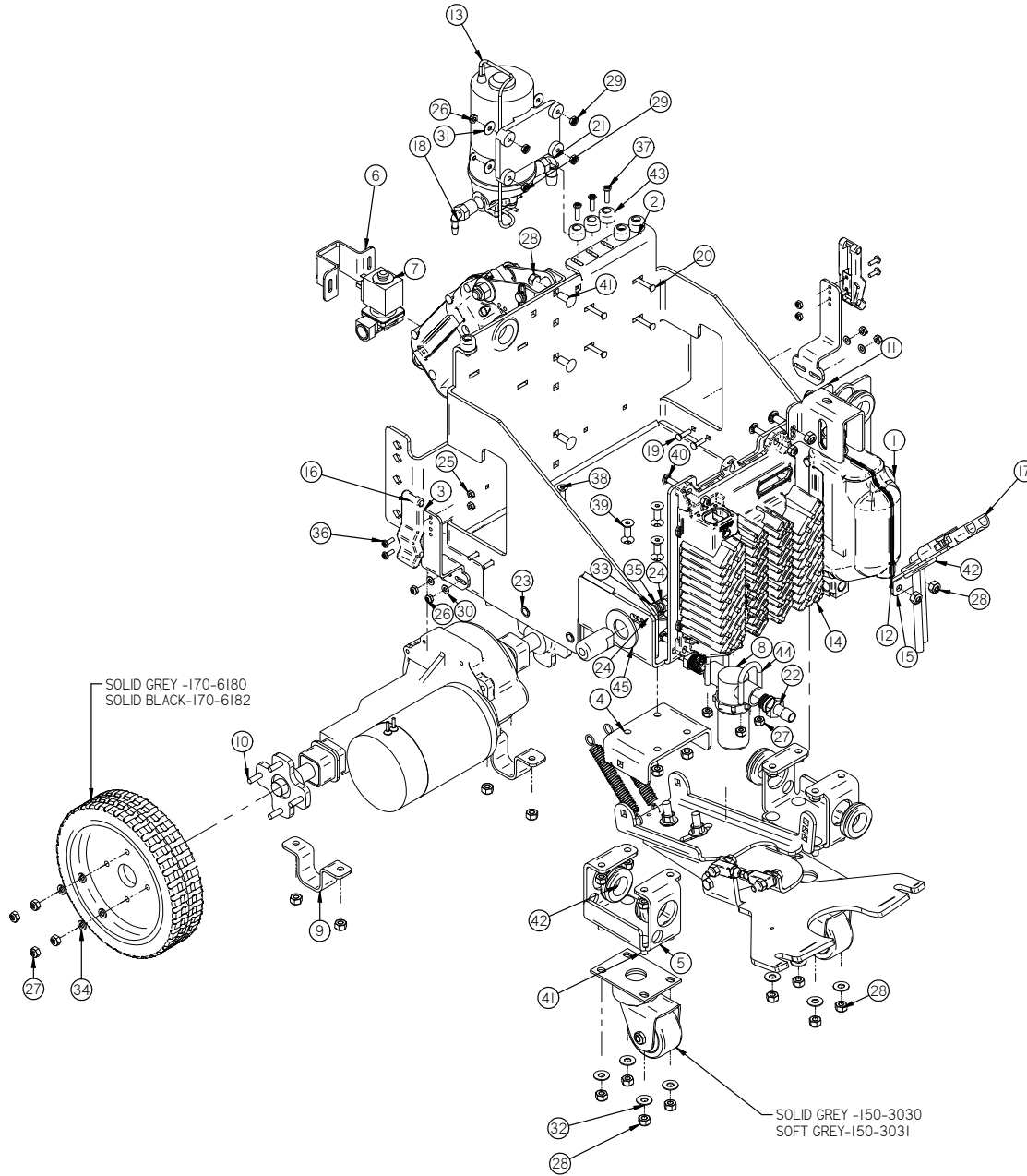
Scan With Phone for more Information



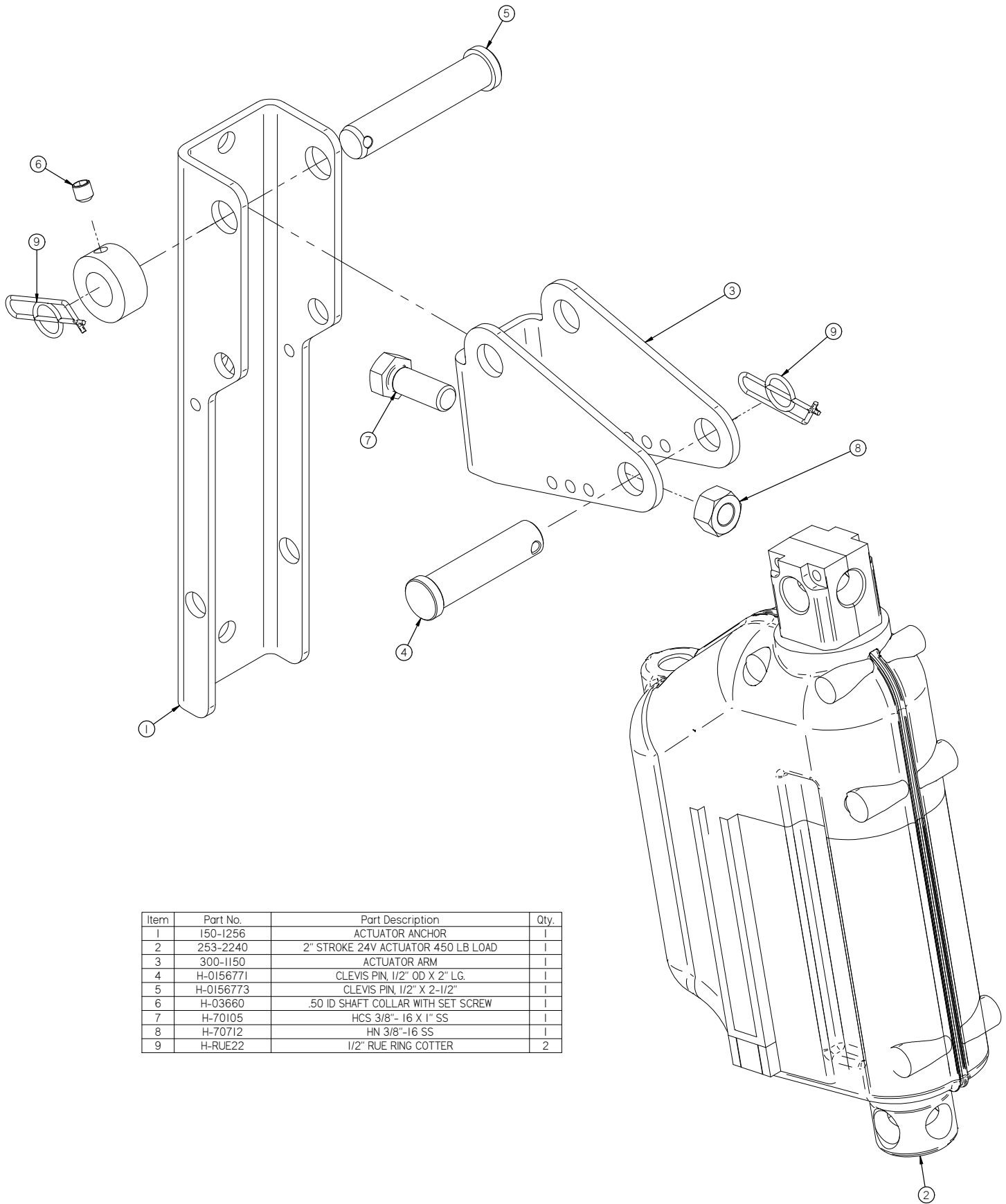
V18.114  
FC-MICRO-HD-P-EN



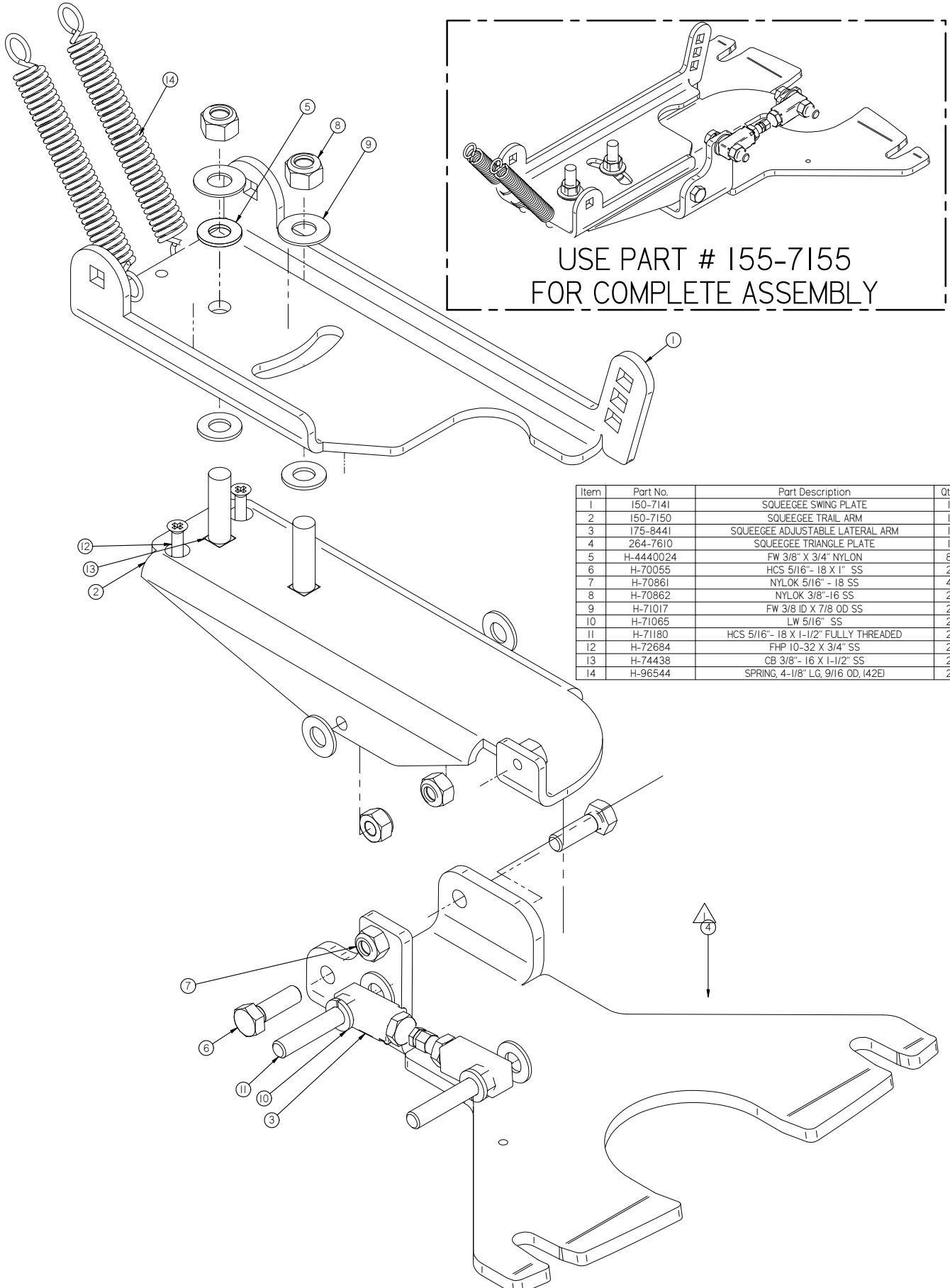
Frame Assembly.....	4
Actuator & Frame Support.....	5
Squeegee Drag Link.....	6
Squeegees .....	7
Batteries & Chargers .....	8
17 Inch Disk Decks.....	9
20 Inch Disk Decks.....	10
17 Inch - 20 Inch Disk Deck Shroud.....	11
26 Inch Disk Decks.....	12
26 Inch Disk Deck Shroud.....	13
25 Inch Cylindrical Decks .....	14
Cylindrical Door Assembly.....	15
Tank Assembly 13g Sol / 15g Rec - Serial #93744 & Greater.....	16
Tank Assembly 10g Sol / 10g Rec - Serial #93743 & Less .....	17
Recovery Tank Dome Lid Assembly - Serial #93744 & Greater.....	18
Recovery Tank Dome Lid Assembly - Serial #93743 & Less.....	19
Drain Saver & Baffle Assembly - Serial #93744 & Greater.....	20
Drain Saver & Baffle Assembly - Serial #93743 & Less .....	21
Vacuum Bandeau Assembly - Serial #93744 & Greater.....	22
Central Command Assembly - Serial #97255 & Greater.....	23
Central Command Assembly - Serial #97254 & Less.....	24
Central Command Assembly - Serial #97254 & Less.....	25
Central Command Handlebar Assembly - Serial #97254 & Less...	26
Common Wear Parts .....	27
Common Wear Parts .....	28
Tank Stickers .....	29
Central Command Stickers.....	30



Item	Part No.	Part Description	Qty.	Item	Part No.	Part Description	Qty.
1	150-1061	BOSS	2	24	H-70109	HCS 3/8"- 16 X 1-1/2" SS	2
2	150-1106	SPORT FRAME	1	25	H-70856	NYLOK #8-32 SS	4
3	150-1123	TANK LATCH	2	26	H-70858	NYLOK #10-32 SS	14
4	150-1380	SQUEEGEE DRAG BRACKET	1	27	H-70860	NYLOK 1/4"- 20 SS	17
5	150-5010	CASTER MOUNT	2	28	H-70861	NYLOK 5/16"- 18 SS	31
6	150-5280	VALVE BRACKET	1	29	H-70923	KN #10-32 SS	4
7	170-4500	24V VALVE	1	30	H-71009	FW #10 SS	4
8	175-9130	INLINE FILTER	1	31	H-71010	FW #10 ID X 11/16 OD SS	4
9	21-1010	AXLE MOUNT	2	32	H-71015	FW 5/16 ID X 3/4 OD SS	8
10	21-3009	TRANSAXLE	1	33	H-71017	FW 3/8 ID X 7/8 OD SS	2
11	253-1099	AUTO SQUEEGEE LIFT BRACKET	1	34	H-71063	LW 1/4" SS	8
12	253-2240	2" STROKE 24V ACTUATOR 450 LB LOAD	1	35	H-71067	LW 3/8" SS	2
13	253-8910	PUMP, WATER JET	1	36	H-72398	PPH #8-32 X 1/2" S/S	4
14	264-2440	ONBOARD CHARGER	1	37	H-72416	PPHMS #10-32 X 3/4" S/S	6
15	264-9516	CHARGER CONECTOR BRACKET	1	38	H-73882	FHSCS 1/4- 20 X 3/4" S/S	1
16	4-124	LATCH	2	39	H-73907	FHSCS 5/16"- 18 X 3/4" SS	12
17	4-259	CONNECTOR, RED 50, HOUSING ONLY	2	40	H-74419	CB 1/4"- 20 X .75" SS	4
18	400-1225	.375 NPT X .25 BARB X 90 DEG	1	41	H-74429	CB 5/16"- 18 X 3/4" SS	19
19	H-0172520	CB #10-32 X 3/4" SS	4	42	H-9307K74	GROMMET, 1" ID X 1-3/4" OD BUNA-N	8
20	H-0172522	CB #10-32 X 1-1/4" SS	4	43	H-9540	RUBBER BUMPER, 25/32"	6
21	H-04763	ELBOW, 90 DEG X 3/8" MNPT X 1/2" BARB, NYLON	1	44	M-3043T13	1/4-20 X 1.0" U-BOLT	2
22	H-04788	.50 NPT X .50 BARB	2	45	M-90133A440	3/8 ID X 5/8 OD RUBBER WASHER	2
23	H-250HCN	HCN 1/4"-20	4	46	M-9434T27	3/4" DIA I HOLE TUBE STRAP	1

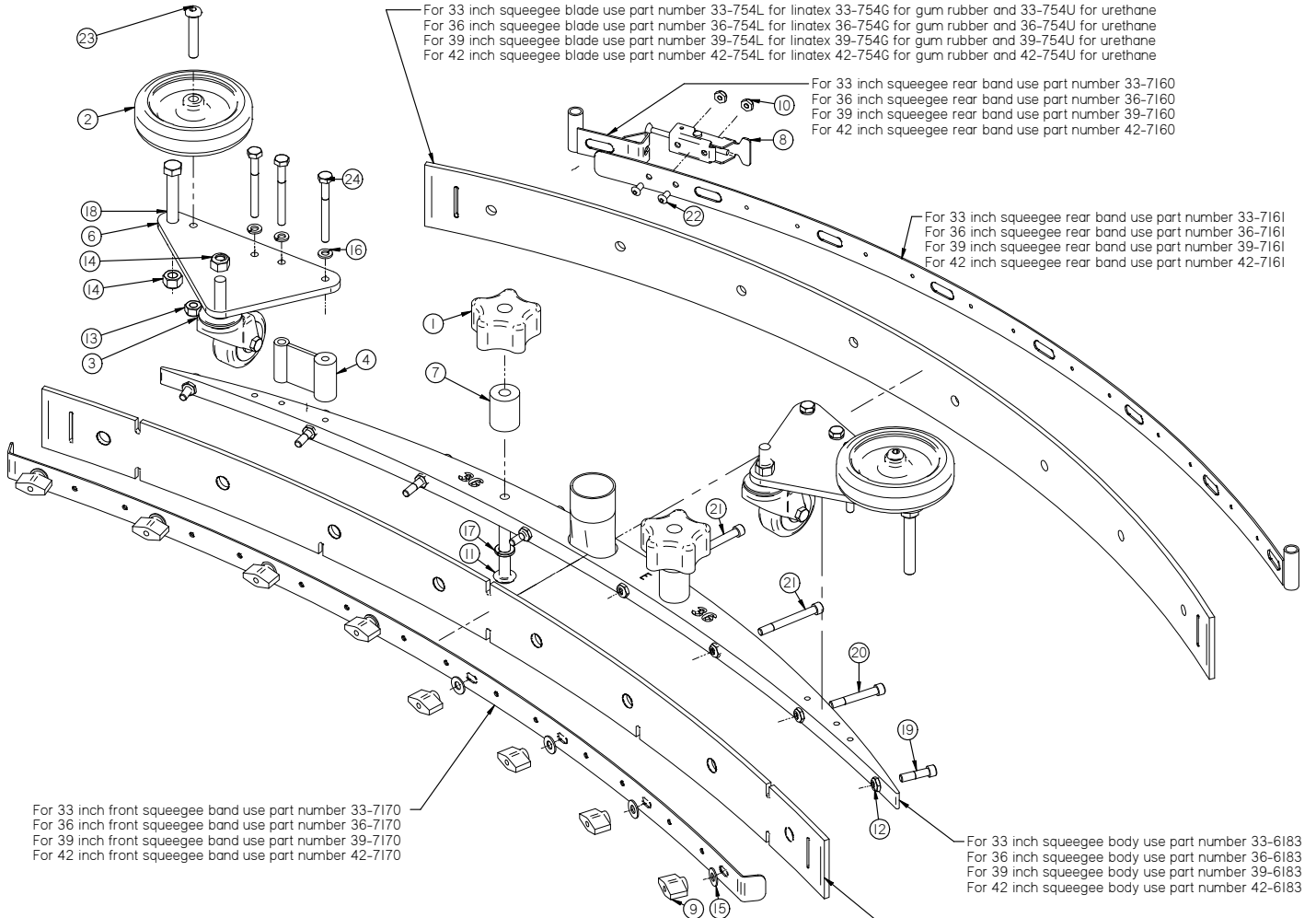


Item	Part No.	Part Description	Qty.
1	I50-1256	ACTUATOR ANCHOR	1
2	253-2240	2" STROKE 24V ACTUATOR 450 LB LOAD	1
3	300-1150	ACTUATOR ARM	1
4	H-0156771	CLEVIS PIN, 1/2" OD X 2" LG.	1
5	H-0156773	CLEVIS PIN, 1/2" X 2-1/2"	1
6	H-03660	.50 ID SHAFT COLLAR WITH SET SCREW	1
7	H-70105	HCS 3/8"- 16 X 1" SS	1
8	H-70712	HN 3/8"-16 SS	1
9	H-RUE22	1/2" RUE RING COTTER	2

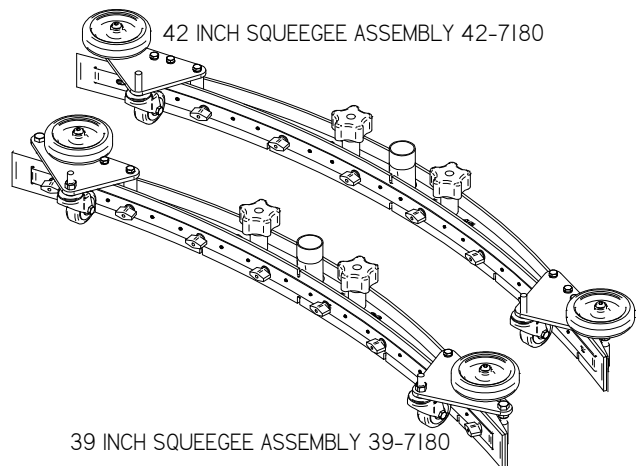
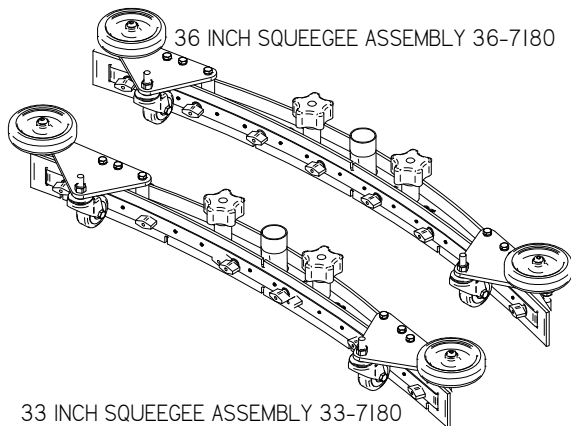


Item	Part No.	Part Description	Qty.
1	150-7141	SQUEEGEE SWING PLATE	1
2	150-7150	SQUEEGEE TRAIL ARM	1
3	175-8441	SQUEEGEE ADJUSTABLE LATERAL ARM	1
4	264-7610	SQUEEGEE TRIANGLE PLATE	1
5	H-4440024	FW 3/8" X 3/4" NYLON	8
6	H-70055	HCS 5/16"- 18 X 1" SS	2
7	H-70861	NYLOK 5/16" - 18 SS	4
8	H-70862	NYLOK 3/8"-16 SS	2
9	H-71017	FW 3/8 ID X 7/8 OD SS	2
10	H-71065	LW 5/16" SS	2
11	H-71180	HCS 5/16"- 18 X 1-1/2" FULLY THREADED	2
12	H-72684	FHP 10-32 X 3/4" SS	2
13	H-74438	CB 3/8"- 16 X 1-1/2" SS	2
14	H-96544	SPRING, 4-1/8" LG, 9/16 OD, 142EI	2

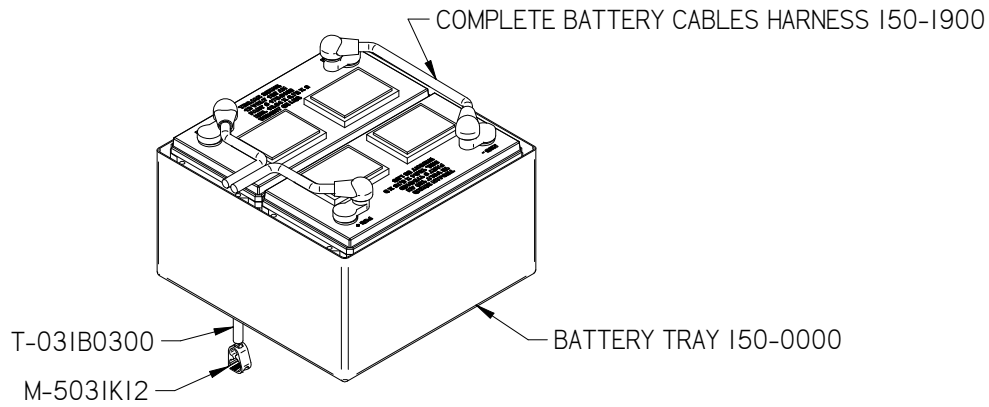
Squeegees



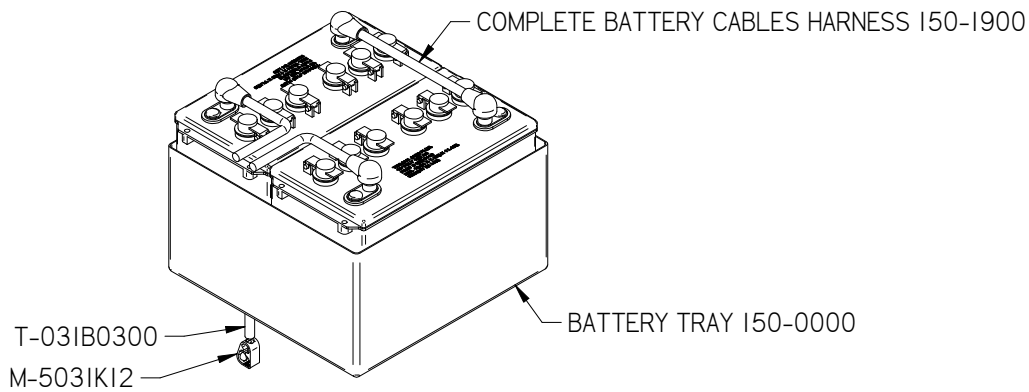
Item	Part No.	Part Description	Qty.	Item	Part No.	Part Description	Qty.
1	150-5786	STAR KNOB, 3/8-16 THREAD	2	13	H-70861	NYLOK 5/16" - 18 SS	2
2	150-7600	4" SIDE WHEEL (GREY)	2	14	H-70862	NYLOK 3/8"-16 SS	4
3	253-7570	CASTER	2	15	H-71013	FW 1/4 ID X 5/8 OD SS	8
4	36-0007	BAND BRACKET HOLDER	2	16	H-71063	LW 1/4" SS	6
5	36-2211	SPACER 1/2 OD X 5/32" LG X.25 ID	6	17	H-71067	LW 3/8" SS	2
6	36-7183	SQUEEGE CASTER BRACKET	2	18	H-71191	HCS 3/8"- 16 X 3" SS	2
7	36-8460	STANDOFF, 1.5"	2	19	H-73462	SHCS 1/4-20 X 1.0 SS	2
8	370-0124	LATCH	1	20	H-73465	SHCS 1/4-20 X 1.75 SS	2
9	5-418A	CLAMPING KNOB	8	21	H-73467	SHCS 1/4-20 X 2.25 SS	4
10	H-0129155	JNYL #10-32, 18-8 S/S	2	22	H-73742	BHSCS 10-32 X 3/8" SS	2
11	H-0171299	BHSCS 3/8"- 16 X 3" SS	2	23	H-73783	BHSCS 5/16-18 X 1.75	2
12	H-37020	JNYL 1/4" - 20	8	24	H-77013	HCS 1/4"- 20 X 2.5" SS	6



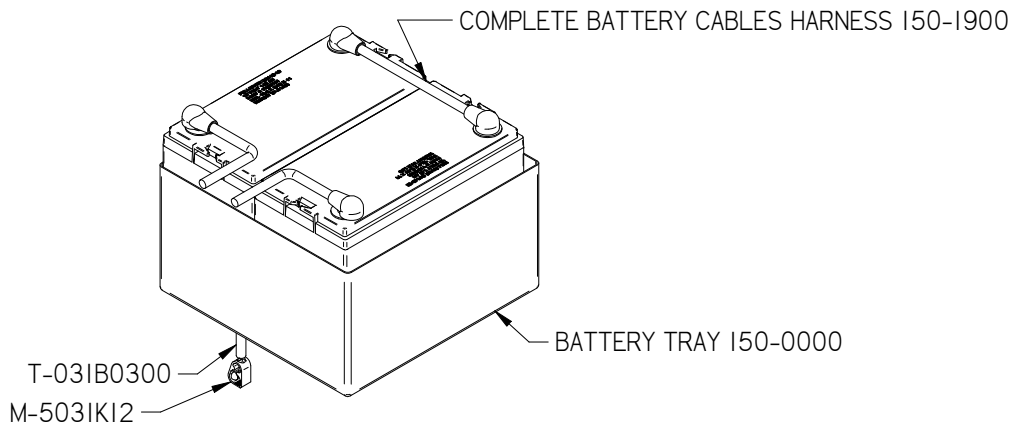
## 130 AH WET TROJANS 170-2109



## 150 AH WET TROJAN 200-2110



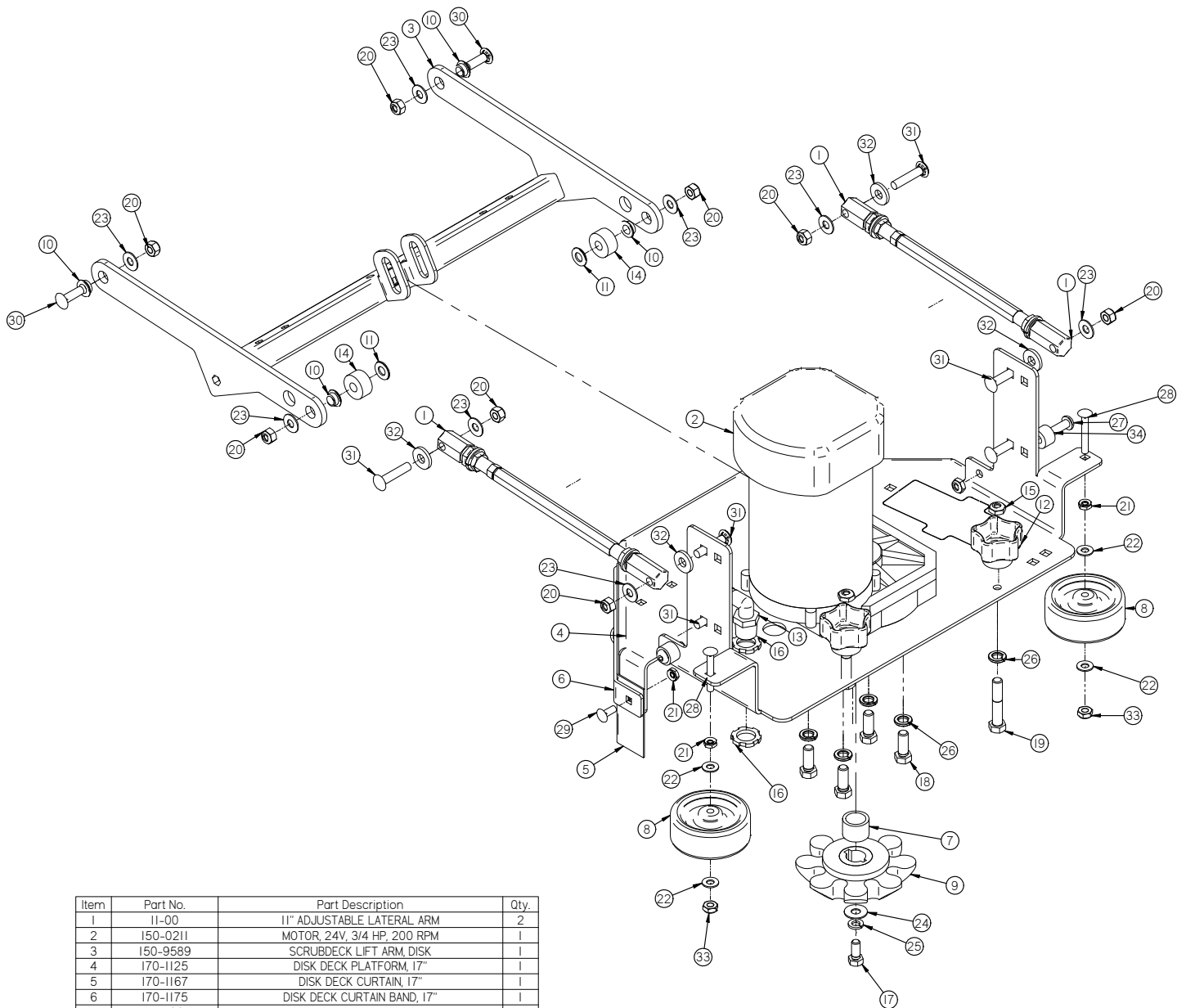
## 140 AH AGM FULLRIVER 170-2121



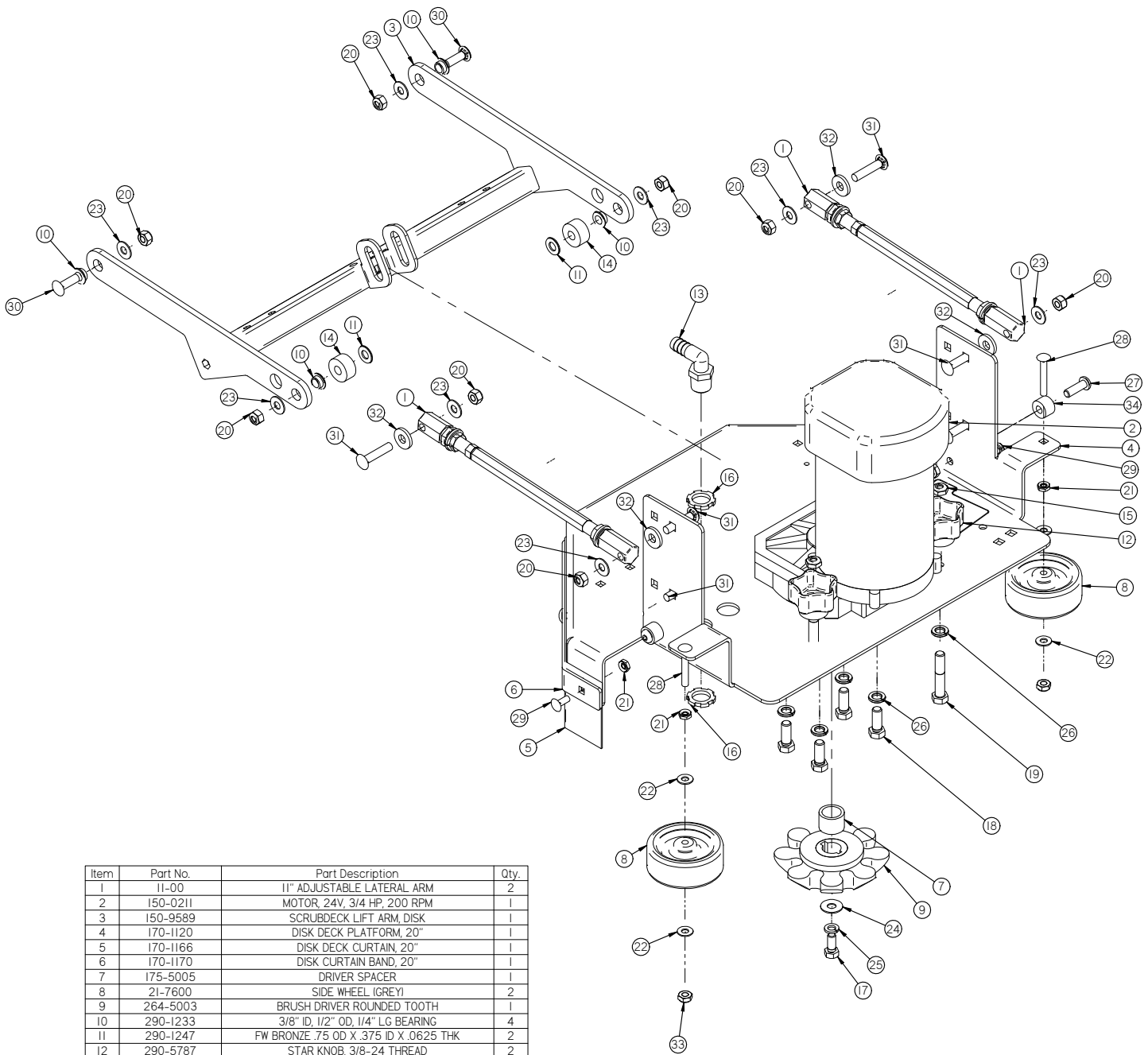
### WHICH BATTERY CHARGER TO USE WITH BATTERY SELECTION

Battery Part Number & Description	Console Charger / North America	Onboard Charger / North America / International
170-2109 (12V / 130AH - WET)	170-2440	175-2460
200-2110 (12V / 150AH - WET)	170-2440	175-2460
170-2121 (12V / 140AH - AGM)	N/A	175-2460



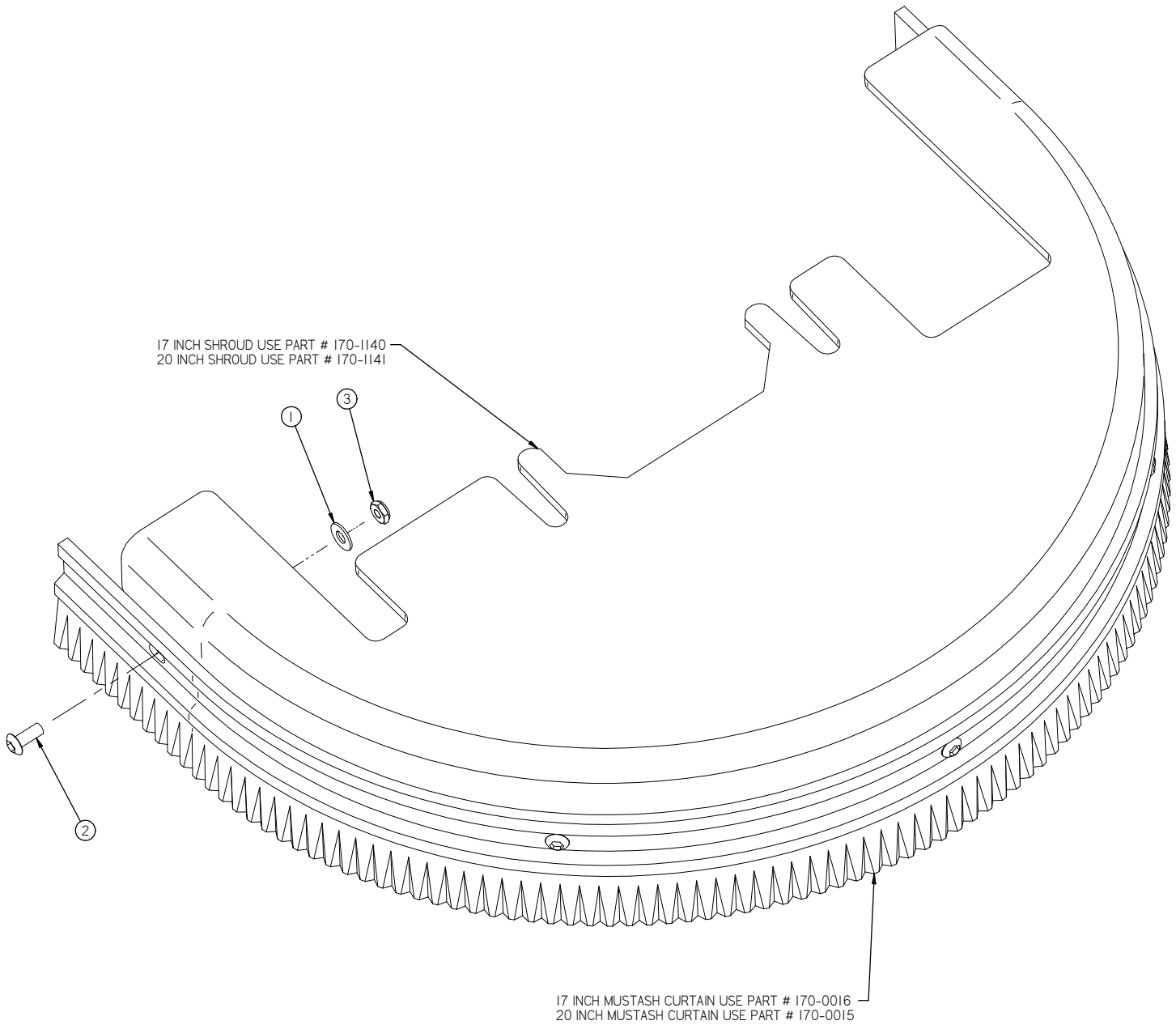


Item	Part No.	Part Description	Qty.
1	11-00	11" ADJUSTABLE LATERAL ARM	2
2	150-0211	MOTOR, 24V, 3/4 HP, 200 RPM	1
3	150-9589	SCRUBDECK LIFT ARM, DISK	1
4	170-1125	DISK DECK PLATFORM, 17"	1
5	170-1167	DISK DECK CURTAIN, 17"	1
6	170-1175	DISK DECK CURTAIN BAND, 17"	1
7	175-5005	DRIVER SPACER	1
8	21-7600	SIDE WHEEL (GREY)	2
9	264-5003	BRUSH DRIVER ROUNDED TOOTH	1
10	290-1233	3/8" ID, 1/2" OD, 1/4" LG BEARING	4
11	290-1247	FW BRONZE, 75 OD X .375 ID X .0625 THK	2
12	290-5787	STAR KNOB, 3/8-24 THREAD	2
13	5-447	1/2 NPT X 1/2" BARB ELBOW	1
14	8-618	SPACER	2
15	H-0171004	JNYL 3/8 - 24 SS	2
16	H-070005	1/2" NPT LOCKNUT	4
17	H-70053	HCS 5/16"- 18 X 3/4" SS	1
18	H-70105	HCS 3/8"- 16 X 1" SS	4
19	H-70146	HCS 3/8"- 24 X 2" SS	2
20	H-70861	NYLOK 5/16" - 18 SS	8
21	H-70925	KN 1/4-20 S/S	7
22	H-71013	FW 1/4 ID X 5/8 OD SS	4
23	H-71015	FW 5/16 ID X 3/4 OD SS	8
24	H-71016	FW 5/16 ID X 7/8 OD SS	1
25	H-71065	LW 5/16" SS	1
26	H-71067	LW 3/8" SS	6
27	H-73780	BHSCS 5/16-18 X 1	2
28	H-74396	CB 1/4"- 20 X 1-3/4" SS	2
29	H-74418	CB 1/4"- 20 X 5/8" S/S	5
30	H-74430	CB 5/16"- 18 X 1" SS	2
31	H-74432	CB 5/16"- 18 X 1-1/2" SS	6
32	H-98025	FW 3/8" GRADE B	4
33	H-NJ05C	JNYL 5/16"- 18 SS	4
34	M-92825A201	.325" ID X 3/4" OD X 1/2" LDPE SPACER	2

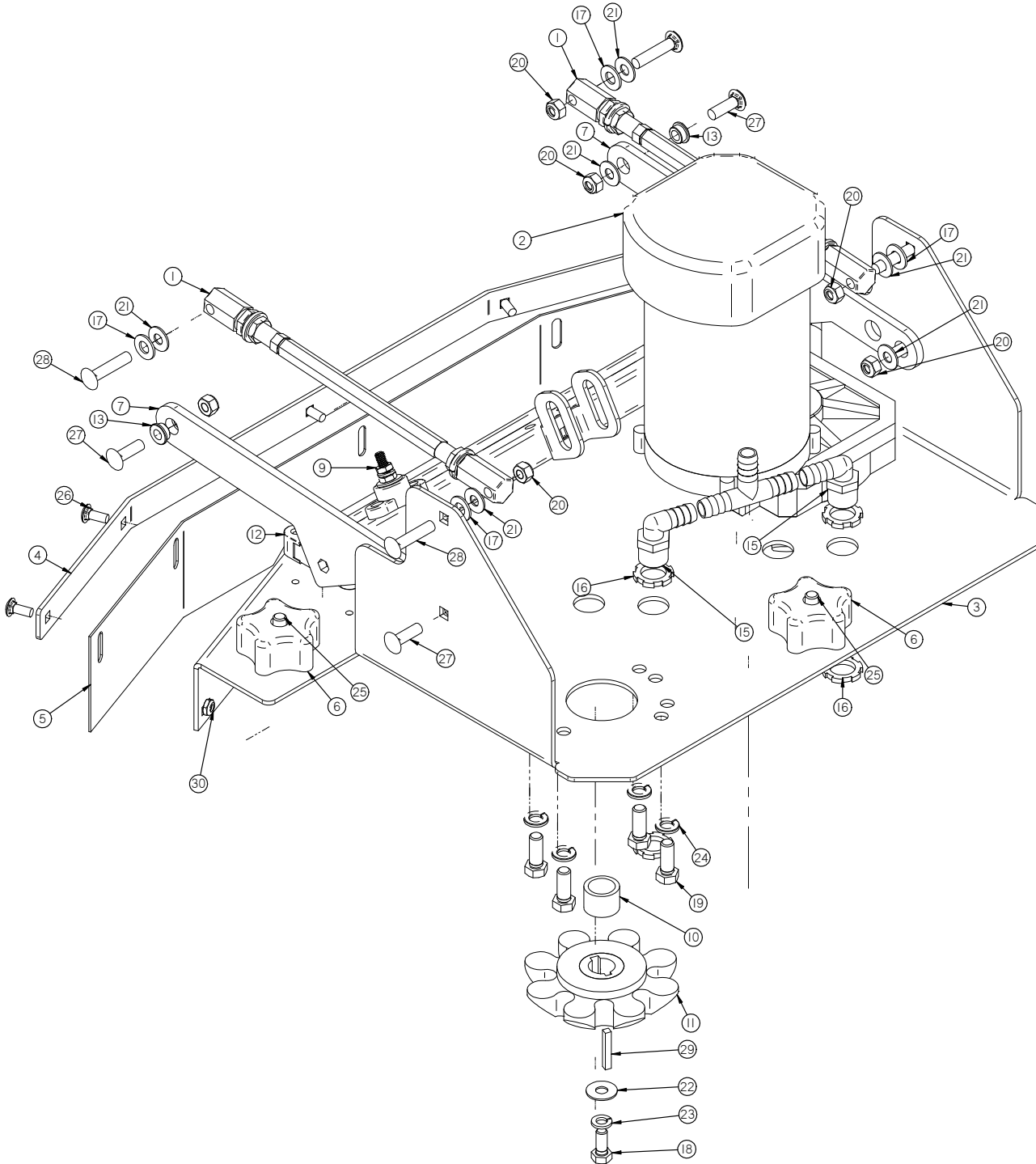


Item	Part No.	Part Description	Qty.
1	11-00	11" ADJUSTABLE LATERAL ARM	2
2	150-0211	MOTOR, 24V, 3/4 HP, 200 RPM	1
3	150-9589	SCRUBDECK LIFT ARM, DISK	1
4	170-1120	DISK DECK PLATFORM, 20"	1
5	170-1166	DISK DECK CURTAIN, 20"	1
6	170-1170	DISK CURTAIN BAND, 20"	1
7	175-5005	DRIVER SPACER	1
8	21-7600	SIDE WHEEL (GREY)	2
9	264-5003	BRUSH DRIVER ROUNDED TOOTH	1
10	290-1233	3/8" ID, 1/2" OD, 1/4" LG BEARING	4
11	290-1247	FW BRONZE, .75 OD X .375 ID X .0625 THK	2
12	290-5787	STAR KNOB, 3/8"-24 THREAD	2
13	5-447	1/2" NPT X 1/2" BARB ELBOW	1
14	8-618	SPACER	2
15	H-0171004	JNYL 3/8"-24 SS	2
16	H-07005	1/2" NPT LOCKNUT	4
17	H-70053	HCS 5/16"-18 X 3/4" SS	1
18	H-70105	HCS 3/8"-16 X 1" SS	4
19	H-70146	HCS 3/8"-24 X 2" SS	2
20	H-70861	NYLOK 5/16"-18 SS	8
21	H-70925	KN 1/4"-20 S/S	7
22	H-71013	FW 1/4" ID X 5/8" OD SS	4
23	H-71015	FW 5/16" ID X 3/4" OD SS	8
24	H-71016	FW 5/16" ID X 7/8" OD SS	1
25	H-71065	LW 5/16" SS	1
26	H-71067	LW 3/8" SS	6
27	H-73780	BHSCS 5/16"-18 X 1	2
28	H-74396	CB 1/4"-20 X 1-3/4" SS	2
29	H-74418	CB 1/4"-20 X 5/8" S/S	5
30	H-74430	CB 5/16"-18 X 1" SS	2
31	H-74432	CB 5/16"-18 X 1-1/2" SS	6
32	H-98025	FW 3/8" GRADE 8	4
33	H-NJ05C	JNYL 5/16"-18 SS	4
34	M-92825A20I	.325" ID X 3/4" OD X 1/2" LDPE SPACER	2

17 Inch - 20 Inch Disk Deck Shroud

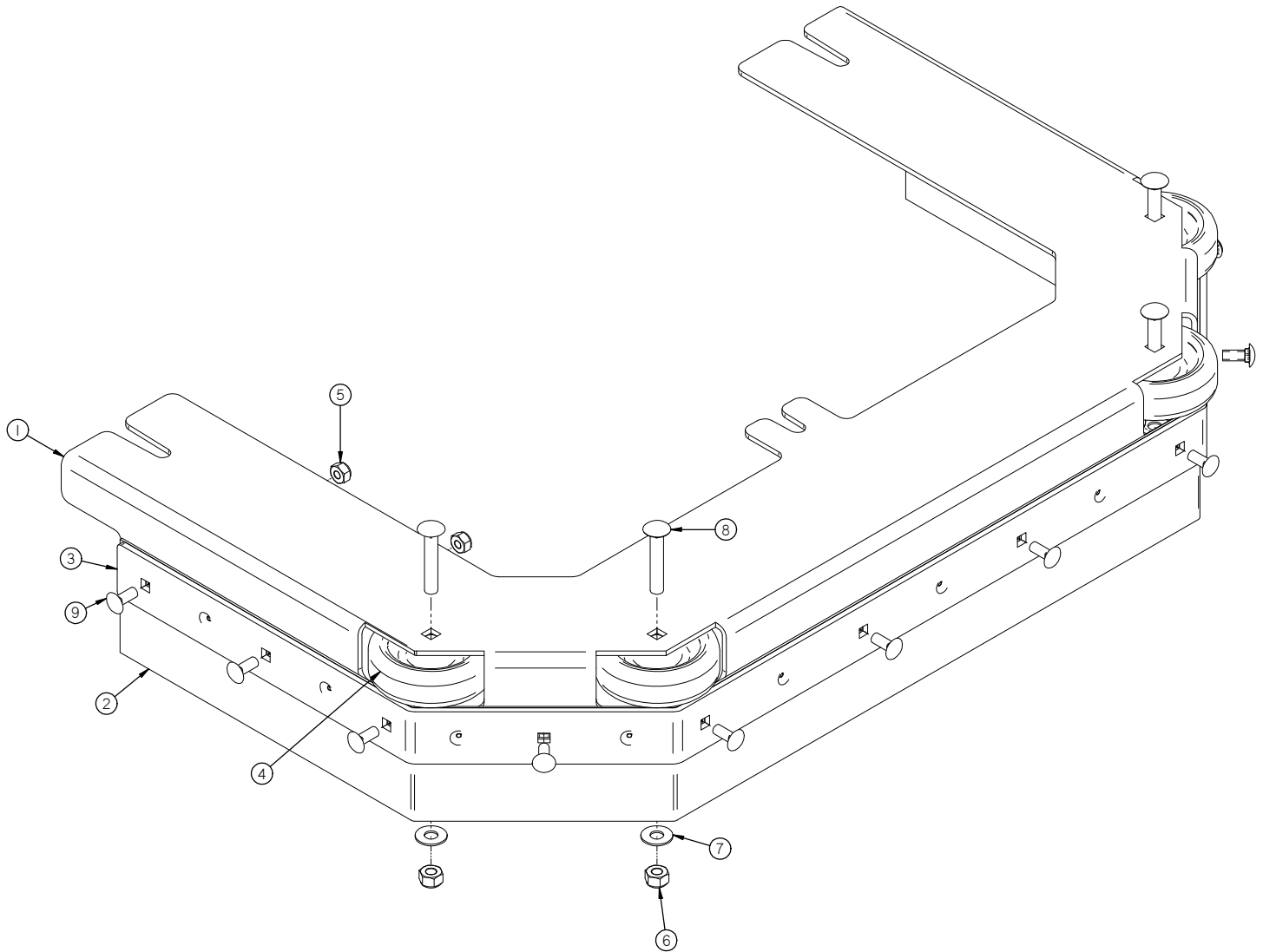


Item	Part No.	Part Description	Qty.
1	H-71013	FW 1/4 ID X 5/8 OD SS	5
2	H-73753	BHSCS 1/4 - 20 X 5/8" SS	5
3	H-NJ04C	JNYL 1/4" - 20 SS	5

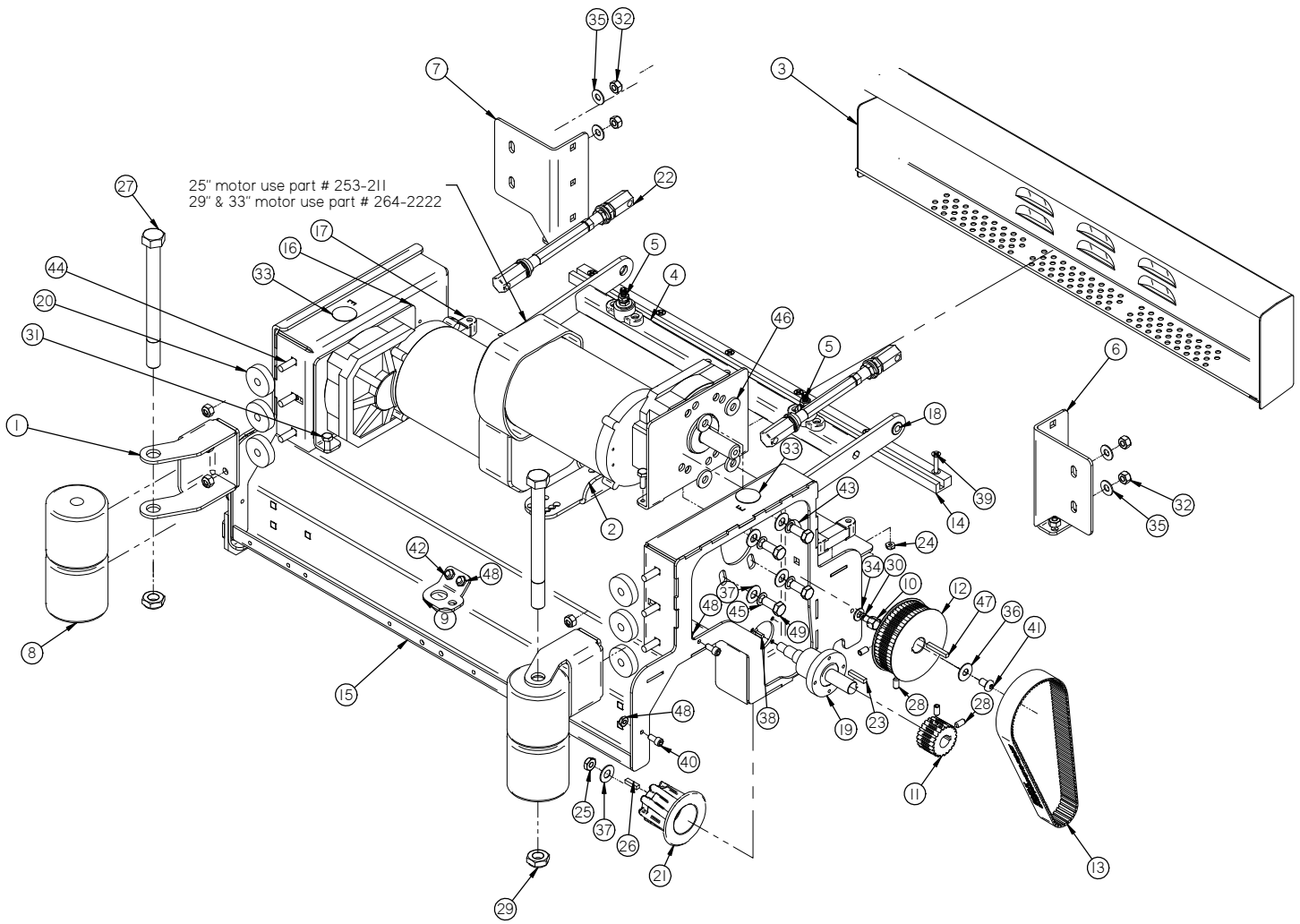


Item	Part No.	Part Description	Qty.	Item	Part No.	Part Description	Qty.
1	11-00	11" ADJUSTABLE LATERAL ARM	2	16	H-07005	1/2" NPT LOCKNUT	6
2	150-0211	MOTOR, 24V, 3/4 HP, 200 RPM	2	17	H-4440024	FW 3/8" X 3/4" NYLON	4
3	150-0402	DISK DECK PLATFORM, 26"	1	18	H-70053	HCS 5/16"- 18 X 3/4" SS	2
4	150-1154	CURTAIN BAND, 26"	1	19	H-70105	HCS 3/8"- 16 X 1" SS	8
5	150-1163	DISK DECK CURTAIN, 26"	1	20	H-70861	NYLOK 5/16" - 18 SS	8
6	150-5786	STAR KNOB, 3/8-16 THREAD	3	21	H-71015	FW 5/16 ID X 3/4 OD SS	8
7	150-9589	SCRUBDECK LIFT ARM, DISK	1	22	H-71016	FW 5/16 ID X 7/8 OD SS	2
8*	175-2700	NEG INSULATOR POST (BLACK)	1	23	H-71065	LW 5/16" SS	2
9	175-2710	POS INSULATOR POST (RED)	1	24	H-71067	LW 3/8" SS	11
10	175-5005	DRIVER SPACER	2	25	H-71190	HCS 3/8"- 16 X 2-1/2" SS (FULLY THREADED)	3
11	264-5003	BRUSH DRIVER ROUNDED TOOTH	2	26	H-74418	CB 1/4"- 20 X 5/8" S/S	5
12	300-4030	LEVEL	2	27	H-74430	CB 5/16"- 18 X 1" SS	4
13	370-1247	BUSHING 5/16 X 1/2 X 3/16	4	28	H-74432	CB 5/16"- 18 X 1-1/2" SS	4
14*	5-446	1/2" PLASTIC BARB TEE	1	29	H-K14320	3/16" X 1 1/4" KEY	2
15	5-447	1/2 NPT X 1/2" BARB ELBOW	2	30	H-NJ04C	JNYL 1/4" - 20 SS	5

## 26 Inch Disk Deck Shroud

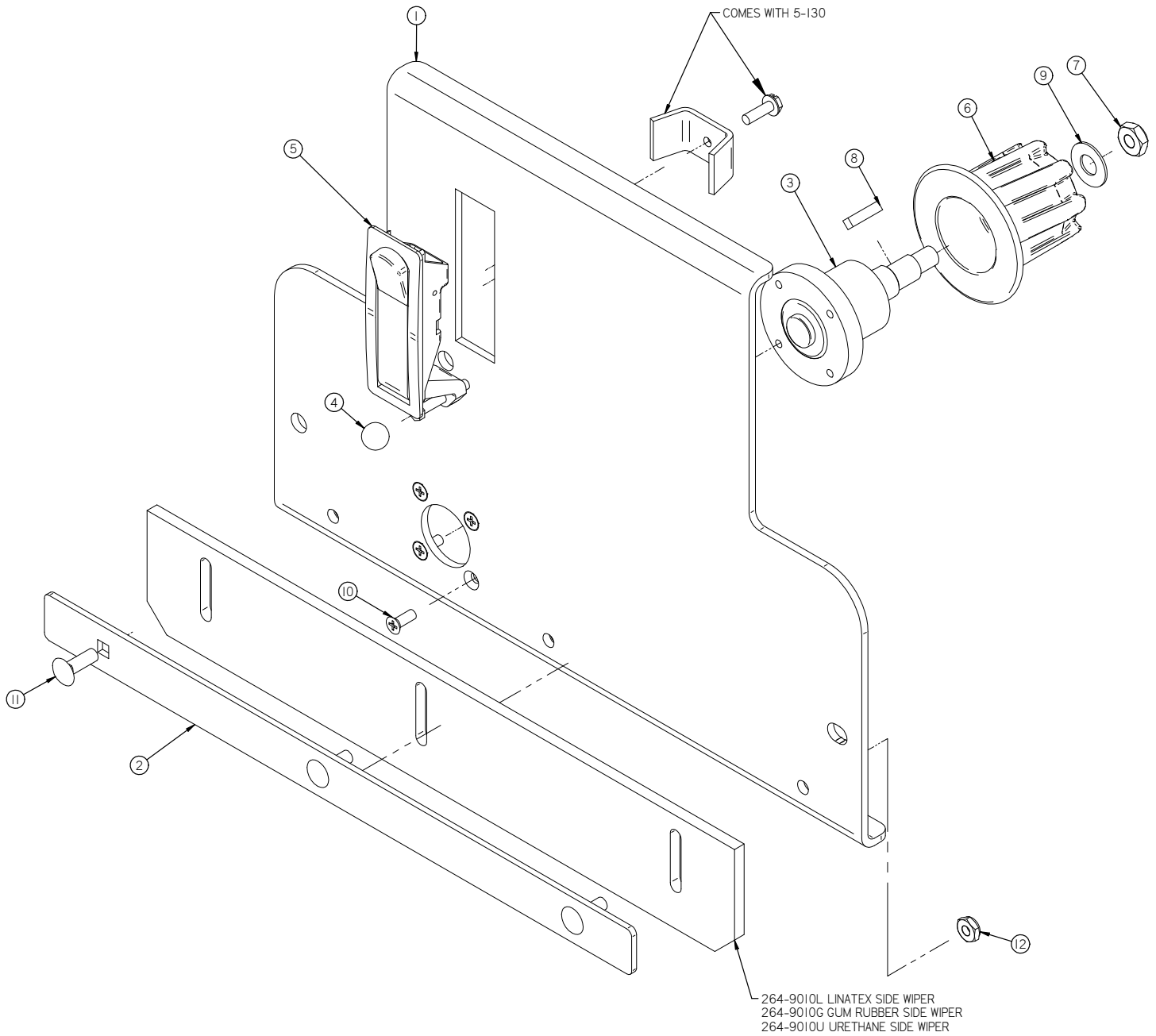


Item	Part No.	Part Description	Qty.
1	150-1110	26 INCH SHROUD	1
2	150-1164	26" SHROUD CURTAIN	1
3	150-1174	26" SHROUD CURTAIN BAND	1
4	150-7601	3" SIDE WHEEL (GREY)	4
5	H-70860	NYLOK 1/4"- 20 SS	12
6	H-70861	NYLOK 5/16" - 18 SS	4
7	H-71015	FW 5/16 ID X 3/4 OD SS	4
8	H-74401	CB 5/16"- 18 X 1-3/4" SS	4
9	H-74418	CB 1/4"- 20 X 5/8" S/S	12



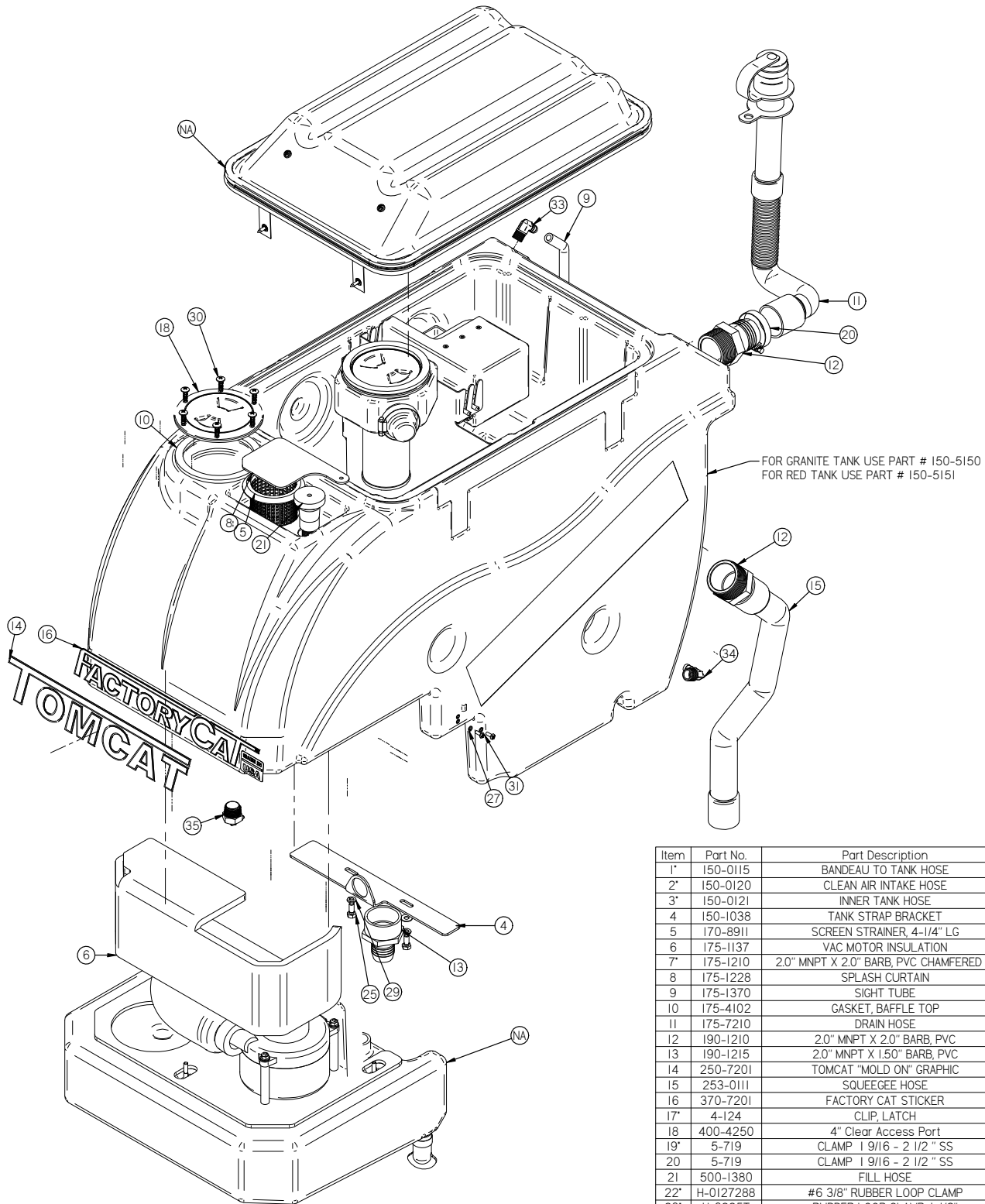
Item	Part No.	Part Description	Qty.	Item	Part No.	Part Description	Qty.
1	150-1129	ROLLER BRACKET	2	25	H-0171004	JNYL 3/8- 24 SS	2
2	150-9006	DECK LIFTING BRACKET	1	26	H-0953152	3/16" X 3/4" KEY	2
3	150-9050	25" HOPPER	1	27	H-13327	HB 5/8"- 11 X 7"	2
4	150-9590	SCRUBDECK LIFT ARM, CYLINDRICAL	1	28	H-25382	SETSCREW, KCP, 1/4"-20 X 1/2"	8
5	175-2700	NEG INSULATOR POST (BLACK)	2	29	H-37038	JNYL 5/8"- 11	2
6	175-9070	CYLINDRICAL LIFTING BRACKET, LH, 25"	1	30	H-66802	O-RING, 3/16" X 5/16" X #8 BUNA	2
7	175-9071	CYLINDRICAL LIFTING BRACKET, RH, 25"	1	31	H-70003	HCS 1/4"-20 X 3/4" SS	4
8	21-1127	ROLLER	4	32	H-70861	NYLOK 5/16" - 18 SS	14
9	253-9003	QUICK DISCONNECT BRACKET	1	33	H-70889	HOLE PLUG 7/8"	2
10	253-9024	THUMB SCREW	2	34	H-71013	FW 1/4 ID X 5/8 OD SS	2
11	264-8215	TIMING SPROCKET 26 TOOTH	2	35	H-71015	FW 5/16 ID X 3/4 OD SS	4
12	264-8225	TIMING SPROCKET 56 TOOTH	2	36	H-71016	FW 5/16 ID X 7/8 OD SS	2
13	264-8230	565-5M-25 HI-PERFORMANCE PD PLUS BELT	2	37	H-71017	FW 3/8 ID X 7/8 OD SS	10
14	264-8325	HOPPER RAIL 25"	1	38	H-72682	FHP #10-32 X 1/2" SS	8
15	264-9000	CYLINDRICAL BRUSHHEAD, 25"	1	39	H-72685	FHP 10-32 X 1" SS	6
16	264-9002	MOTOR ADJ BRACKET	2	40	H-73459	SHCS 1/4-20 X 1/2 SS	3
17	300-4030	LEVEL	2	41	H-73777	BHSCS 5/16-18 X 1/2"	2
18	370-1247	BUSHING 5/16 X 1/2 X 3/16	4	42	H-74417	CB 1/4"- 20 X .5" SS	2
19	370-8240A	BEARING HOUSING/BEARING	2	43	H-74429	CB 5/16"- 18 X 3/4" SS	8
20	4-446	GROMMET-3/8 ID X 1-1/2 OD X .375	6	44	H-74430	CB 5/16"- 18 X 1" SS	6
21	600-8371	CYLINDRICAL DRIVER (HARDCOAT)	2	45	H-90895	WASHER, SERRATED BELLEVILLE, 3/8", S/S	8
22	8-00	8.00" ADJUSTABLE LATERAL ARM	2	46	H-98025	FW 3/8" GRADE 8	8
23	H-01125	3/16" X 1" KEY	2	47	H-K14320	3/16" X 1 1/4" KEY	2
24	H-0129155	JNYL #10-32, 18-8 S/S	6	48	H-NJ04C	JNYL 1/4" - 20 SS	5
				49	M-92865A214	HCS 3/8"-24 X 7/8" SS	8

## Cylindrical Door Assembly



Item	Part No.	Part Description	Qty.
1	150-9022	DRIVE COVER	1
2	264-9015	WIPER BAND	1
3	370-8241A	IDLER DRIVE BEARING	1
4	5-100	GROMMET	1
5	5-130	DOOR LATCH	1
6	600-8371	CYLINDRICAL DRIVER (HARDCOAT)	1
7	H-0171004	JNYL 3/8- 24 SS	1
8	H-0953152	3/16" X 3/4" KEY	1
9	H-71017	FW 3/8 ID X 7/8 OD SS	1
10	H-72682	FHP #10-32 X 1/2" SS	4
11	H-74419	CB 1/4" - 20 X .75" SS	3
12	H-NJ04C	JNYL 1/4" - 20 SS	3

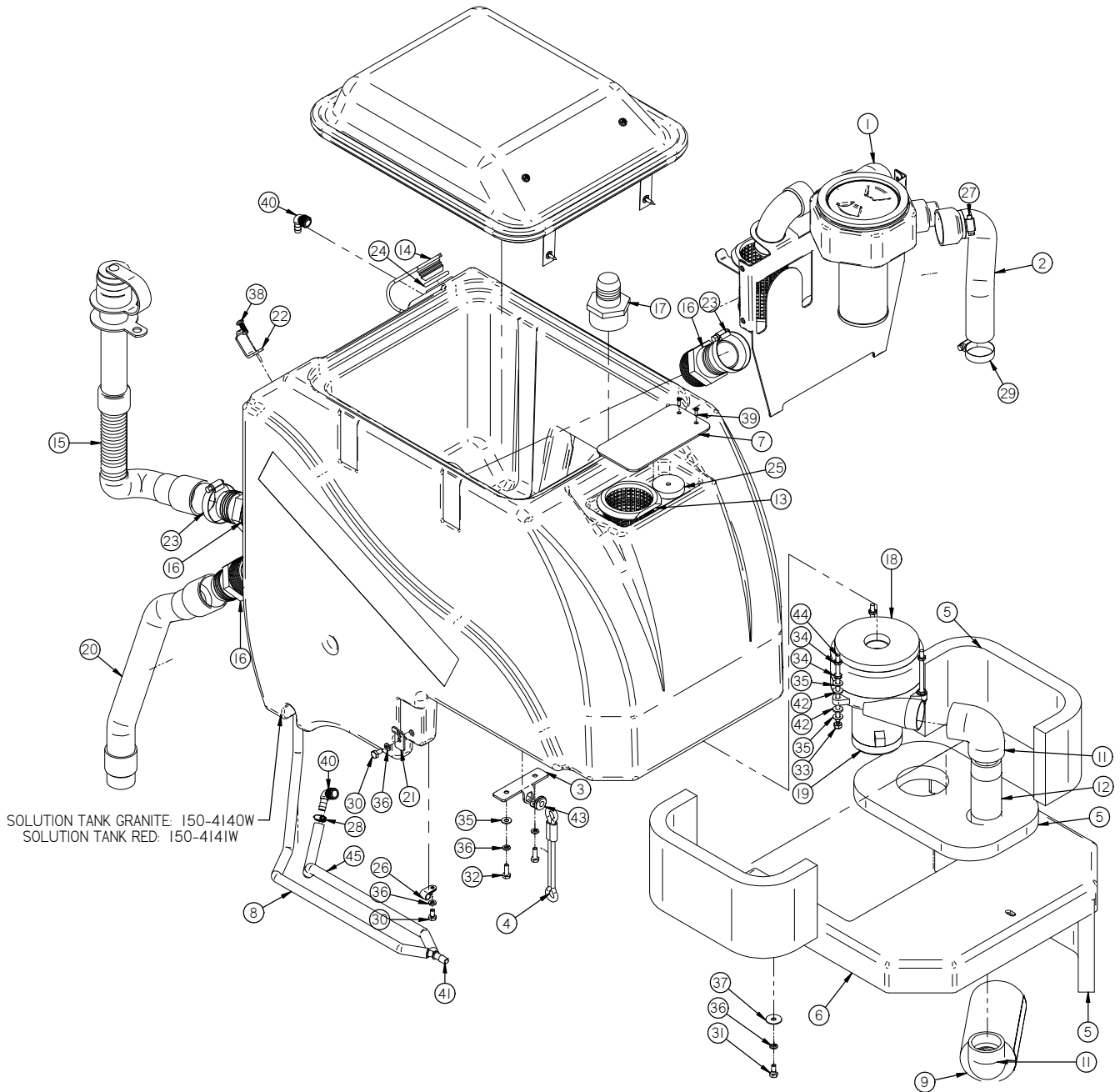
## Tank Assembly 13g Sol / 15g Rec - Serial #93744 & Greater



Item	Part No.	Part Description	Qty.
1'	150-0115	BANDEAU TO TANK HOSE	1
2'	150-0120	CLEAN AIR INTAKE HOSE	1
3'	150-0121	INNER TANK HOSE	1
4	150-1038	TANK STRAP BRACKET	1
5	170-8911	SCREEN STRAINER, 4-1/4" LG	1
6	175-1137	VAC MOTOR INSULATION	1
7'	175-1210	2.0" MNPT X 2.0" BARB, PVC CHAMFERED ID	1
8	175-1228	SPLASH CURTAIN	1
9	175-1370	SIGHT TUBE	1
10	175-4102	GASKET, BAFFLE TOP	1
11	175-7210	DRAIN HOSE	1
12	190-1210	2.0" MNPT X 2.0" BARB, PVC	3
13	190-1215	2.0" MNPT X 1.50" BARB, PVC	1
14	250-7201	TOMCAT "MOLD ON" GRAPHIC	1
15	253-0111	SQUEEGEE HOSE	1
16	370-7201	FACTORY CAT STICKER	1
17'	4-124	CLIP, LATCH	3
18	400-4250	4" Clear Access Port	1
19"	5-719	CLAMP 1 9/16 - 2 1/2" SS	3
20	5-719	CLAMP 1 9/16 - 2 1/2" SS	1
21	500-1380	FILL HOSE	1
22'	H-0127288	#6 3/8" RUBBER LOOP CLAMP	1
23'	H-3225T	RUBBER LOOP CLAMP, 1-1/2"	1
24'	H-70001	HCS 1/4"-20 X 1/2" SS"	2
25	H-70053	HCS 5/16"- 18 X 3/4" SS	2
26'	H-71015	FW 5/16 ID X 3/4 OD SS	2
27	H-71059	LW #10, SS	5
28'	H-71063	LW 1/4" SS	2
29	H-71065	LW 5/16" SS	2
30	H-71894	#14 X 1" SELF TAPPING SCREW	6
31	H-72515	PPH #10-32 X 1/2" S/S	5
32"	H-9307K74	GROMMET, 1" ID X 1-3/4" OD BUNA-N	1
33	M-53525K21	ELBOW, 3/8" MNPT X 1/2" BARB, BRASS	1
34	M-53525K58	ELBOW, 1/2" MNPT X 1/2" BARB, BRASS	2
35	M-5463K496	.75 NPT X .25 BARBED X 90 DEG.par	1
36"	M-5463K727	WYE, 1/2", NYLON	1

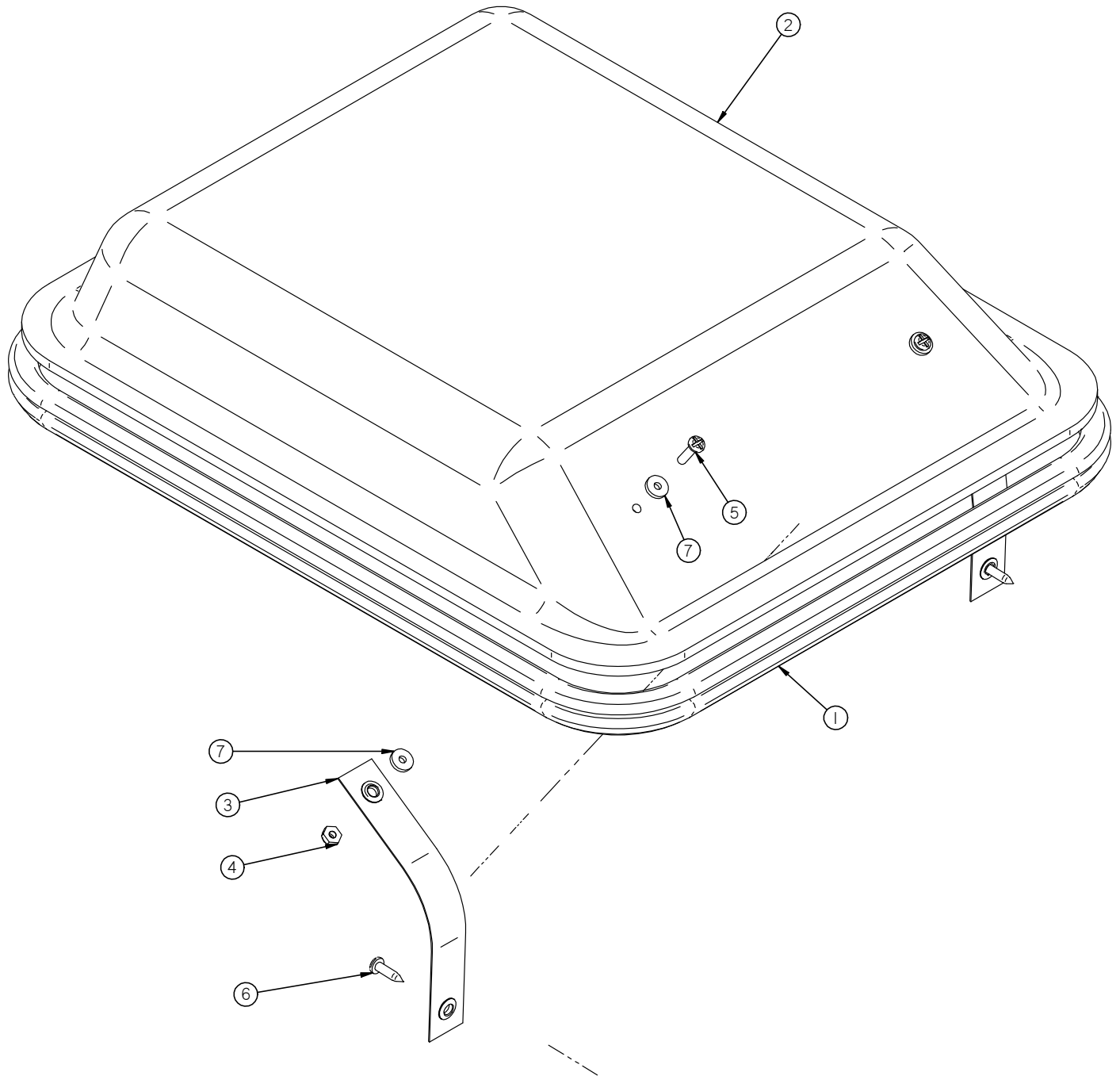


Tank Assembly 10g Sol / 10g Rec - Serial #93743 & Less



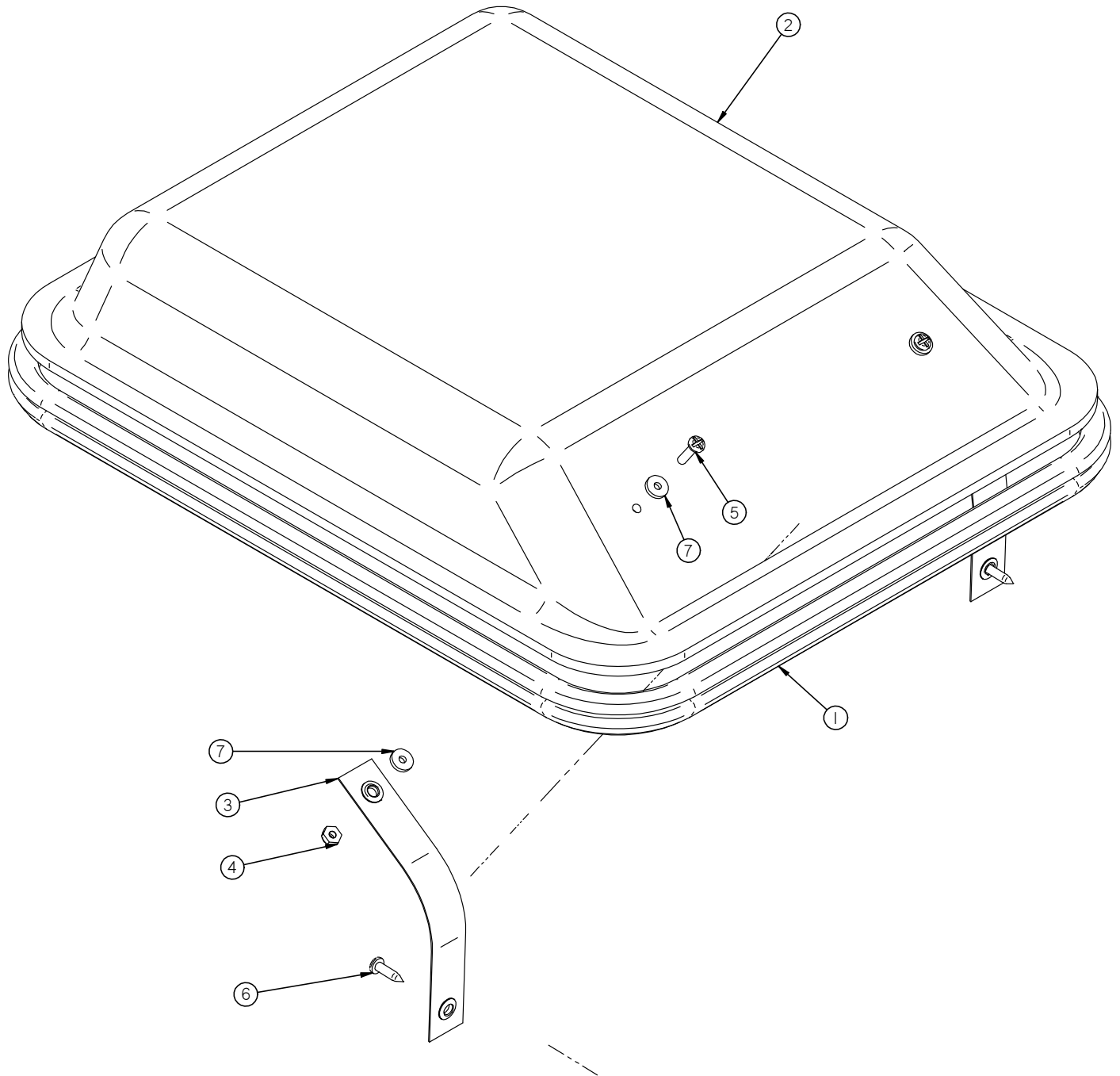
Item	Part No.	Part Description	Qty.	Item	Part No.	Part Description	Qty.
1	150-0115	INNER SQUEEGEE HOSE	1	24	5-8290	O-RING, #324, 1.35" X 1.77" X .210" BUNA-N	1
2	150-0120	INNER VAC HOSE	1	25	500-1380	FILL HOSE	1
3	150-1039	TANK STRAP BRACKET	1	26	H-0127288	#6 3/8" RUBBER LOOP CLAMP	1
4	150-1046	TANK STRAP	1	27	H-0427612	CLAMP 3/4" - 1-3/4" SS	1
5	150-1137	VAC MOTOR INSULATION	1	28	H-62002	HOSE CLAMP, #4 S/S	1
6	150-1145	BANDEAU COVER (DISK), PLASTIC	1	29	H-62044	CLAMP 1.0" - 2.0" SS	1
7	150-1229	SPLASH CURTAIN	1	30	H-70001	HCS 1/4"-20 X 1/2 SS"	3
8	150-1370	SIGHT TUBE	1	31	H-70002	HCS 1/4"-20 X 5/8" SS	3
9	150-2502	VACUUM FAN MUFFLER, 8" LG	2	32	H-70003	HCS 1/4"-20 X 3/4" SS	2
10	150-7285	BATTERY CONFIGURATION PLATE	1	33	H-70860	NYLOK 1/4" - 20 SS	3
11	150-7291	EXHAUST ELBOW	2	34	H-70925	KN 1/4"-20 S/S	6
12	150-7292	I-1/2" X 5" NIPPLE	1	35	H-71013	FW 1/4 ID X 5/8 OD SS	8
13	150-8911	SCREEN STRAINER, 4-1/4" LG	1	36	H-71063	LW 1/4" SS	8
14	170-7211	I-1/2 HOSE CAP	1	37	H-71212	FNW 1/4 ID X 1.0 OD SS	3
15	175-7210	RECOVERY DRAIN HOSE	1	38	H-71893	1/4 X 3/4 SELF TAPPING SCREW	1
16	190-1210	2.0" MNPT X 2.0" BARB, PVC	3	39	H-72904	PPH SMS #6 X 1/2" SS	2
17	190-1215	2.0" MNPT X 1.50" BARB, PVC	1	40	M-53525K18	ELBOW, 3/8" MNPT X 3/8" BARB, BRASS	2
18	190-3002	VAC MOTOR GASKET	1	41	M-5463K116	WYE, 3/8", NYLON	1
19	190-5250	VAC MOTOR, 3/4 HP, TANGENTIAL	1	42	M-90130A029	.25" NEOPRENE WASHER	6
20	253-0111	SQUEEGEE HOSE	1	43	M-9307K23	GROMMET, 3/8 ID X 7/8 OD X 1/8 TH.	1
21	253-1240	CLIP	2	44	M-95412A562	FTS 1/4"- 20 X 5" SS	3
22	253-9491	HOOK	1	45	T-038R1700	ELBOW TO WYE - HOSE	1
23	5-719	CLAMP 1 9/16 - 2 1/2" SS	2				

## Recovery Tank Dome Lid Assembly - Serial #93744 & Greater



Item	Part No.	Part Description	Qty.
1	150-1075	PUSH-ON RUBBER GASKET	1
2	150-1410	VAC FORMED SMOKED COVER	1
3	150-4061	TANK LID STRAP W/GROMMETS	2
4	H-0129155	JNYL #10-32, 18-8 S/S	2
5	H-72534	PPH #10-32 X 3/4" S/S	2
6	H-72916	PPH SMS #8 X 3/4" SS	2
7	H-90133	.170 ID X .50 OD X .093 TH NEOPRENE WASHER	4

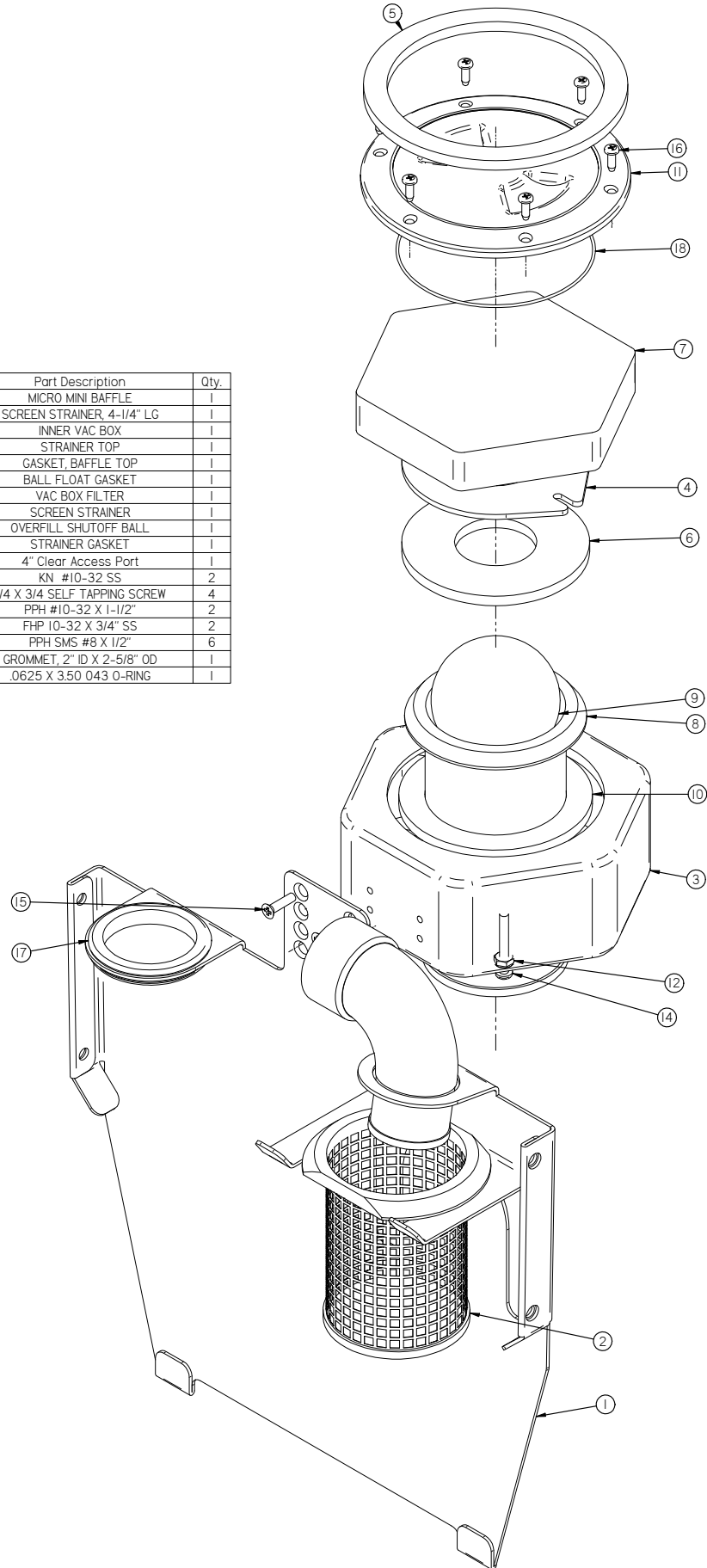
Recovery Tank Dome Lid Assembly - Serial #93743 & Less



Item	Part No.	Part Description	Qty.
1	150-1075	PUSH-ON RUBBER GASKET	1
2	150-1410	VAC FORMED SMOKED COVER	1
3	150-4061	TANK LID STRAP W/GROMMETS	2
4	H-0129155	JNYL #10-32, 18-8 S/S	2
5	H-72534	PPH #10-32 X 3/4" S/S	2
6	H-72916	PPH SMS #8 X 3/4" SS	2
7	H-90133	.170 ID X .50 OD X .093 TH NEOPRENE WASHER	4

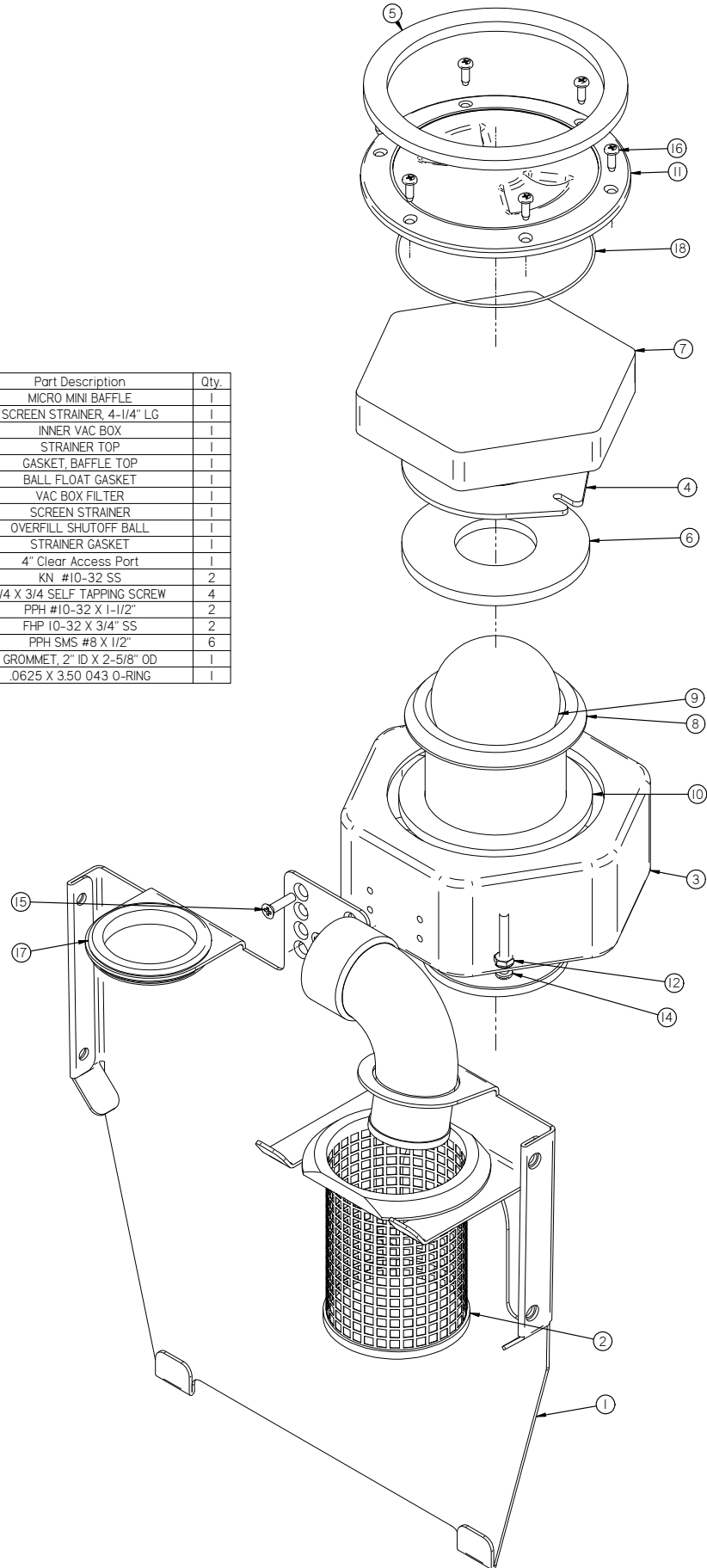
## Drain Saver & Baffle Assembly - Serial #93744 & Greater

Item	Part No.	Part Description	Qty.
1	150-1134	MICRO MINI BAFFLE	1
2	150-8911	SCREEN STRAINER, 4-1/4" LG	1
3	175-1133	INNER VAC BOX	1
4	175-4080	STRAINER TOP	1
5	175-4102	GASKET, BAFFLE TOP	1
6	175-4103	BALL FLOAT GASKET	1
7	264-4086	VAC BOX FILTER	1
8	264-9111	SCREEN STRAINER	1
9	38-712	OVERFILL SHUTOFF BALL	1
10	38-738	STRAINER GASKET	1
11	400-4250	4" Clear Access Port	1
12	H-70923	KN #10-32 SS	2
13*	H-71893	1/4 X 3/4 SELF TAPPING SCREW	4
14	H-72554	PPH #10-32 X 1-1/2"	2
15	H-72684	FHP 10-32 X 3/4" SS	2
16	H-72914	PPH SMS #8 X 1/2"	6
17	H-9307K74	GROMMET, 2" ID X 2-5/8" OD	1
18	M-9452K132	.0625 X 3.50 O43 O-RING	1

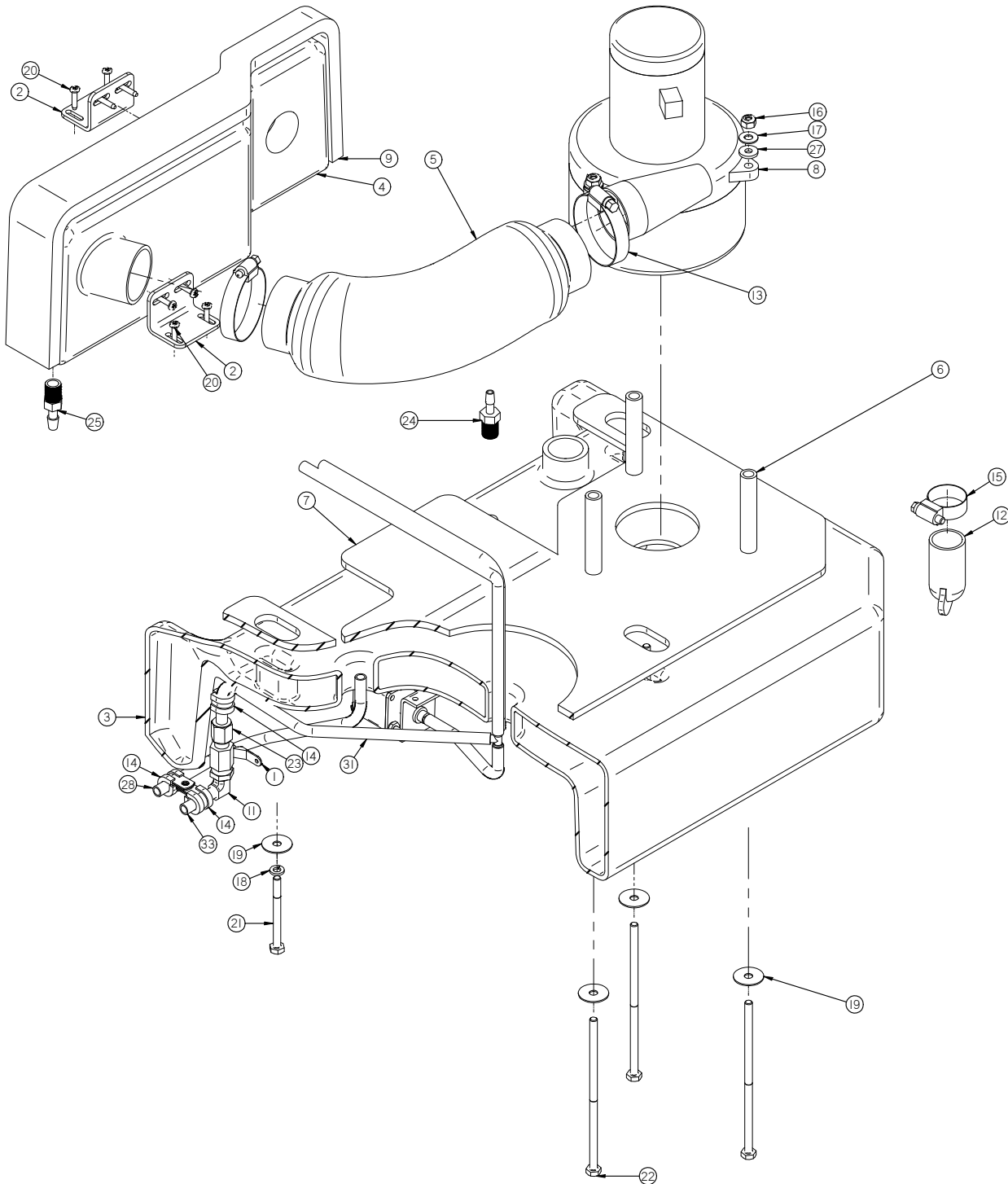


Drain Saver & Baffle Assembly - Serial #93743 & Less

Item	Part No.	Part Description	Qty.
1	150-1134	MICRO MINI BAFFLE	1
2	150-8911	SCREEN STRAINER, 4-1/4" LG	1
3	175-1133	INNER VAC BOX	1
4	175-4080	STRAINER TOP	1
5	175-4102	GASKET, BAFFLE TOP	1
6	175-4103	BALL FLOAT GASKET	1
7	264-4086	VAC BOX FILTER	1
8	264-9111	SCREEN STRAINER	1
9	38-712	OVERFILL SHUTOFF BALL	1
10	38-738	STRAINER GASKET	1
11	400-4250	4" Clear Access Port	1
12	H-70923	KN #10-32 SS	2
13*	H-71893	1/4 X 3/4 SELF TAPPING SCREW	4
14	H-72554	PPH #10-32 X 1-1/2"	2
15	H-72684	FHP 10-32 X 3/4" SS	2
16	H-72914	PPH SMS #8 X 1/2"	6
17	H-9307K74	GROMMET, 2" ID X 2-5/8" OD	1
18	M-9452K132	.0625 X 3.50 043 O-RING	1

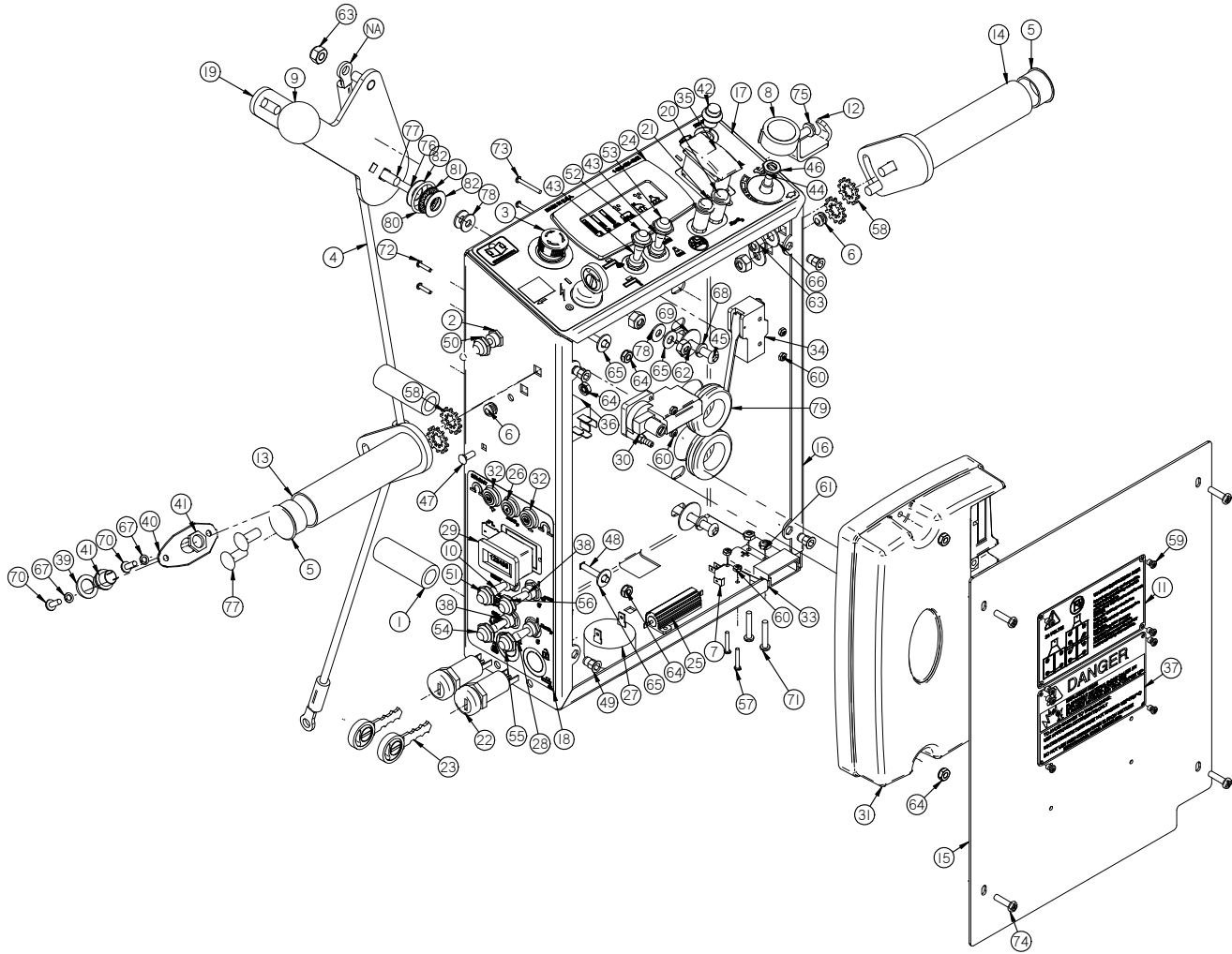


## Vacuum Bandeau Assembly - Serial #93744 & Greater

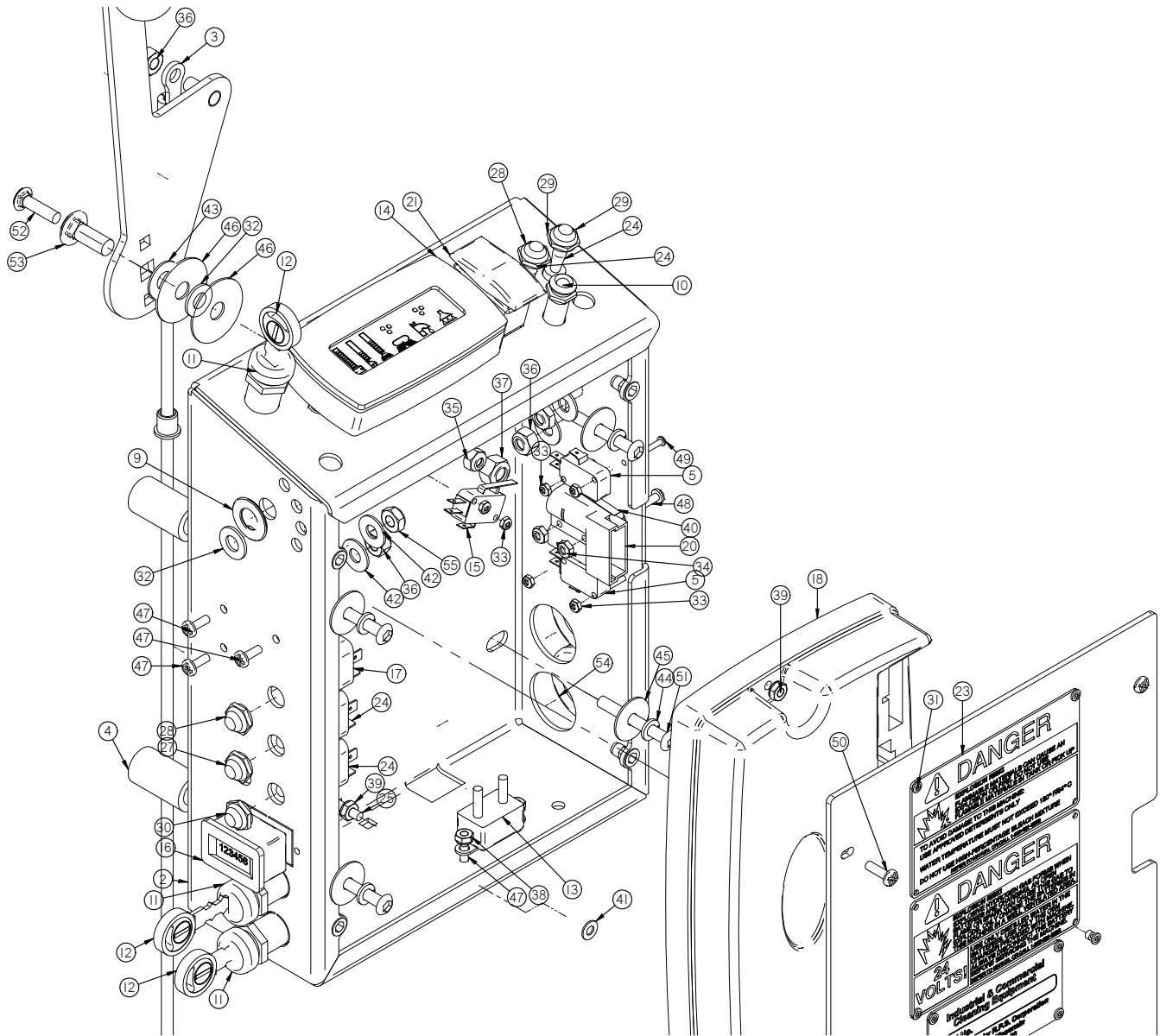


Item	Part No.	Part Description	Qty.	Item	Part No.	Part Description	Qty.
1	170-4158	1/4" NPT VALVE	1	18	H-71063	LW 1/4" SS	3
2	175-1129	VAC MUFFLER BRACKET	2	19	H-71212	FNW 1/4" ID X 1.0 OD SS	6
3	175-1146	MINI-HD CARBON BANDEAU VAC BOX	1	20	H-72916	PPH SMS #8 X 3/4" SS	8
4	175-1148	VAC MUFFLER WALL	1	21	H-77014	HCS 1/4" - 20 X 2.75" SS	3
5	175-2502	MINI-HD CARBON MUFFLER	1	22	H-77025	HCS 1/4" - 20 X 6.0" SS	3
6	175-2600	SPACER, 3.0" LG	3	23	M-5346K51	25 NPTF X .125 BRASS BARBED HOSE FITTING	1
7	175-3000	1/617GA VAC MOTOR GASKET	1	24	M-5463K439	25 NPT X .125 BARB	1
8	175-5250	VAC MOTOR, 3/4 HP, TANGENTIAL	1	25	M-5463K445	25 NPT X .25 BARB	1
9	175-7421	TANK GASKET	1	26	M-5463K606	1/4" X 1/4" PLASTIC BARBED TEE	1
10	253-8500	SOAP PUMP, 24V	1	27	M-90130A029	.25" NEOPRENE WASHER	3
11	290-4149	1/4" NPT X 1/4" BARB X 90 DEG	1	28	T-025B6000	BULK 1/4" ID X 5' BLUE VAC DRAIN HOSE	1
12	390-1505	LOADER VALVE	1	29	T-025C6000	BULK 1/4" ID X 5' CLEAR SUDS HOSE	1
13	5-719	CLAMP, 1 9/16 - 2 1/2" SS	2	30	T-025C6000	BULK 1/4" ID X 5' CLEAR SUDS HOSE	1
14	H-0127290	1/2" LOOP CLAMP	3	31	T-025C6000	BULK 1/4" ID X 5' CLEAR SUDS HOSE	1
15	H-62005	CLAMP 5/8" - 1-1/2" SS	1	32	T-025C6000	BULK 1/4" ID X 5' CLEAR SUDS HOSE	1
16	H-70860	NYLOK 1/4" - 20 SS	3	33	T-025G6000	BULK 1/4" ID X 5' GREEN SUDS DRAIN HOSE	1
17	H-71013	FW 1/4 ID X 5/8 OD SS	3				

Central Command Assembly - Serial #97255 & Greater

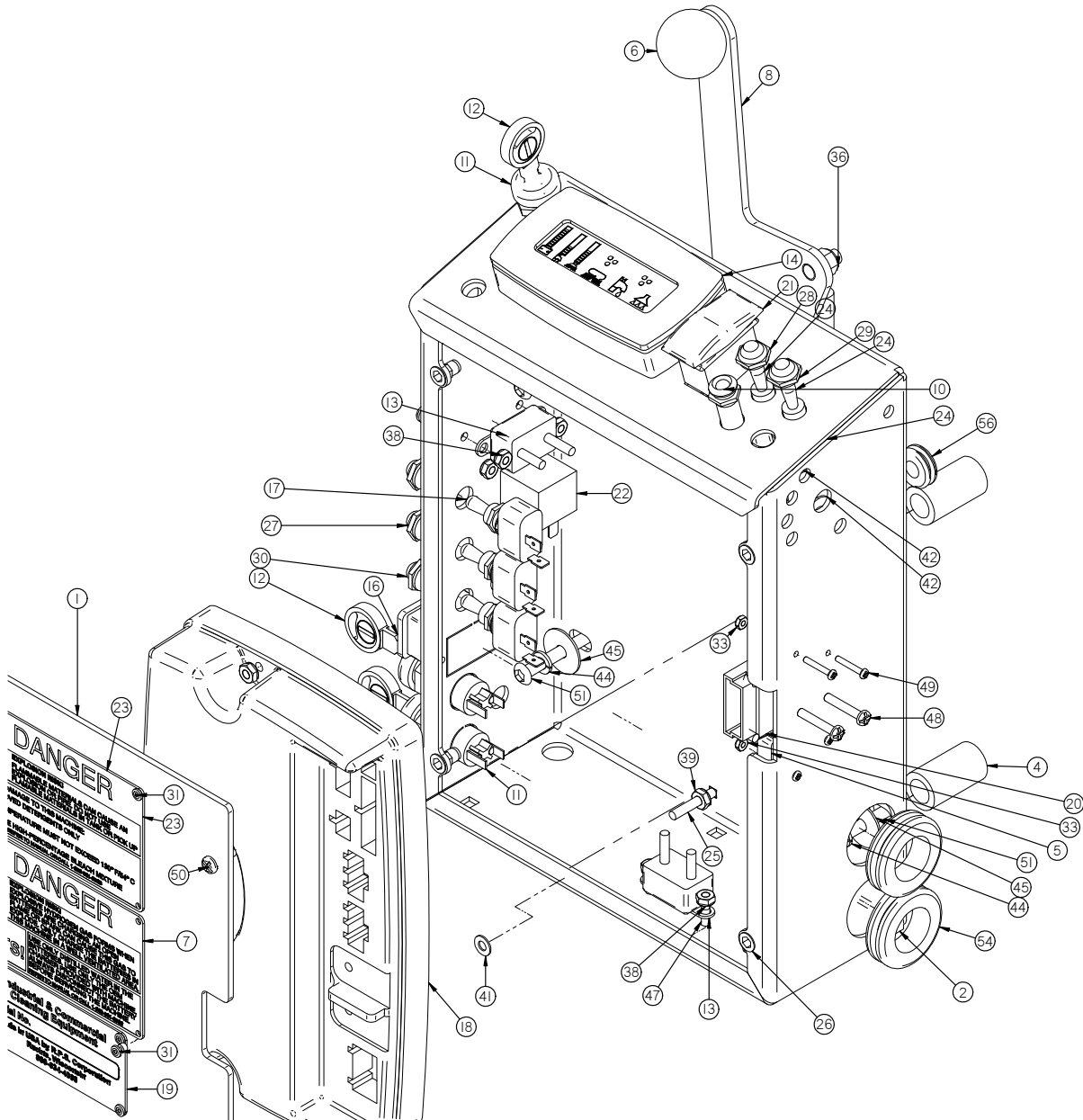


Item	Part No.	Part Description	Qty.	Item	Part No.	Part Description	Qty.
1	150-2701	SPACER, 2-1/4" LG	4	42	7-229D	PUSH BUTTON SWITCH	1
2	150-2830	SWITCH, TOGGLE, MOM/OFF/MOM (DPDT)	1	43	7-283	SWITCH, TOGGLE, MOM/OFF/MOM (DPDT)	2
3	175-0300	Emergency stop switch, 5I series, I/C/O	1	44	7-292	5K POTENTIOMETER	1
4	175-7890	SQUEEGEE LIFT CABLE	1	45	H-00593	BHSCS 1/4" - 20 X 2-3/4 SS	4
5	190-1390	END CAP	2	46	H-0147994	3/8-32 X 1/2 PANEL NUT	1
6	21-2203	GROMMET, RUBBER 3/16 ID X 13/32 OD X 3/32 TH.	2	47	H-0172518	CB #10-32 X 1/2" SS	1
7	21-2230	MICRO SWITCH	1	48	H-0172522	CB #10-32 X 1-1/4" SS	2
8	21-4520	SPEED CONTROL KNOB, RED	1	49	H-1032HCN	HCN #10-32	4
9	21-7101	LIFT KNOB	1	50	H-11196	PROTECTIVE BOOT, TOGGLE SWITCH, (RED)	1
10	253-283	SWITCH, TOGGLE, ON/OFF/ON (DPDT)	1	51	H-11198	PROTECTIVE BOOT, TOGGLE SWITCH, (GREEN)	1
11	253-7280	EXPLOSION WARNING PLATE	1	52	H-11199	PROTECTIVE BOOT, TOGGLE SWITCH, (BLACK)	1
12	253-9491	HOOK	1	53	H-11200	PROTECTIVE BOOT, TOGGLE SWITCH, (BLACK)	1
13	264-1290	ADJUSTABLE HANDLE BAR, LEFT	1	54	H-11202	PROTECTIVE BOOT, TOGGLE SWITCH, (ORANGE)	1
14	264-1291	ADJUSTABLE HANDLE BAR, RIGHT	1	55	H-11203	PROTECTIVE BOOT, TOGGLE SWITCH, (PURPLE)	1
15	264-2001	CONTROL PANEL COVER	1	56	H-11205	PROTECTIVE BOOT, TOGGLE SWITCH, (LIGHT BLUE)	1
16	264-2012	CONTROL PANEL BOX, TRACTION	1	57	H-28667	PHP MS 4-40 X 3/4"	2
17	264-2016	MINI MAG TD CONTROL PANEL STICKER	1	58	H-33761	5/16" INT/EXT STAR WASHER	4
18	264-2017	SLDS/SPRAY STICKER	1	59	H-41007	AB4-3A BLIND RIVET	12
19	264-7100	SQUEEGEE LIFT LEVER	1	60	H-70854	NYLOK #4-40 SS	6
20	290-2300	LED LIGHT (BLUE)	1	61	H-70856	NYLOK #8-32 SS	2
21	290-2310	FULL RECOVERY (RED)	1	62	H-70860	NYLOK 1/4" - 20 SS	5
22	290-234	KEY SWITCH (WITH KEY)	3	63	H-70861	NYLOK 5/16" - 18 SS	6
23	290-234A	KEY SET (REPLACE)	3	64	H-70923	KN #10-32 SS	5
24	290-2891	LCD SCREEN	1	65	H-71013	FW 1/4 ID X 5/8 OD SS	3
25	290-9581		1	66	H-71015	FW 5/16 ID X 3/4 OD SS	4
26	349-9604	FUSE, RESETTABLE, 4 AMP, 50V DC MAX	1	67	H-71059	LW #10, SS	8
27	370-2920	ALARM	1	68	H-71063	LW 1/4" SS	4
28	370-8210	SWITCH, TOGGLE, ON/ON (DPDT)	1	69	H-71212	FNW 1/4 ID X 1.0 OD SS	4
29	370-8261	CHARGER COUNTER	1	70	H-72398	PPH #8-32 X 1/2" S/S	8
30	390-2328	SWITCH, VACUUM SHUTOFF	1	71	H-72418	PPH #8-32 X 1" S/S	2
31	390-2899	CONTROLLER V4	1	72	H-72486	PPH #4-40 X 1/2" S/S	2
32	390-9615	FUSE, RESETTABLE, 15 AMP, 50V DC MAX	2	73	H-72494	PPH #4-40 X 1" S/S	2
33	4-259	CONNECTOR, RED 50, HOUSING ONLY	1	74	H-72534	PPH #10-32 X 3/4" S/S	4
34	5-223	LIMIT SWITCH	1	75	H-72588	PPH 1/4-20 X 5/8" SS	1
35	5-234	SWITCH, ROCKER, DPDT, ON/ON	1	76	H-74420	CB 1/4" - 20 X 1.0" SS	1
36	5-293	15 AMP RELAY	1	77	H-74429	CB 5/16" - 18 X 3/4" SS	5
37	5-728	DETERGENT WARNING PLATE	1	78	H-76061	FW 1/4" NYLON	3
38	5-892	TOGGLE, ON-OFF SPST	2	79	H-9307K74	GROMMET, 1" ID X 1-3/4" OD BUNA-N	2
39	7-227	BUTTON COVER	2	80	M-4464T178	NEEDLE ROLLER THRUST BEARING ORING	1
40	7-228	SWITCH MOUNT PLATE	4	81	M-5909K31	NEEDLE ROLLER THRUST BEARING	1
41	7-229	PUSH BUTTON SWITCH	4	82	M-5909K44	NEEDLE ROLLER THRUST BEARING WASHER	2



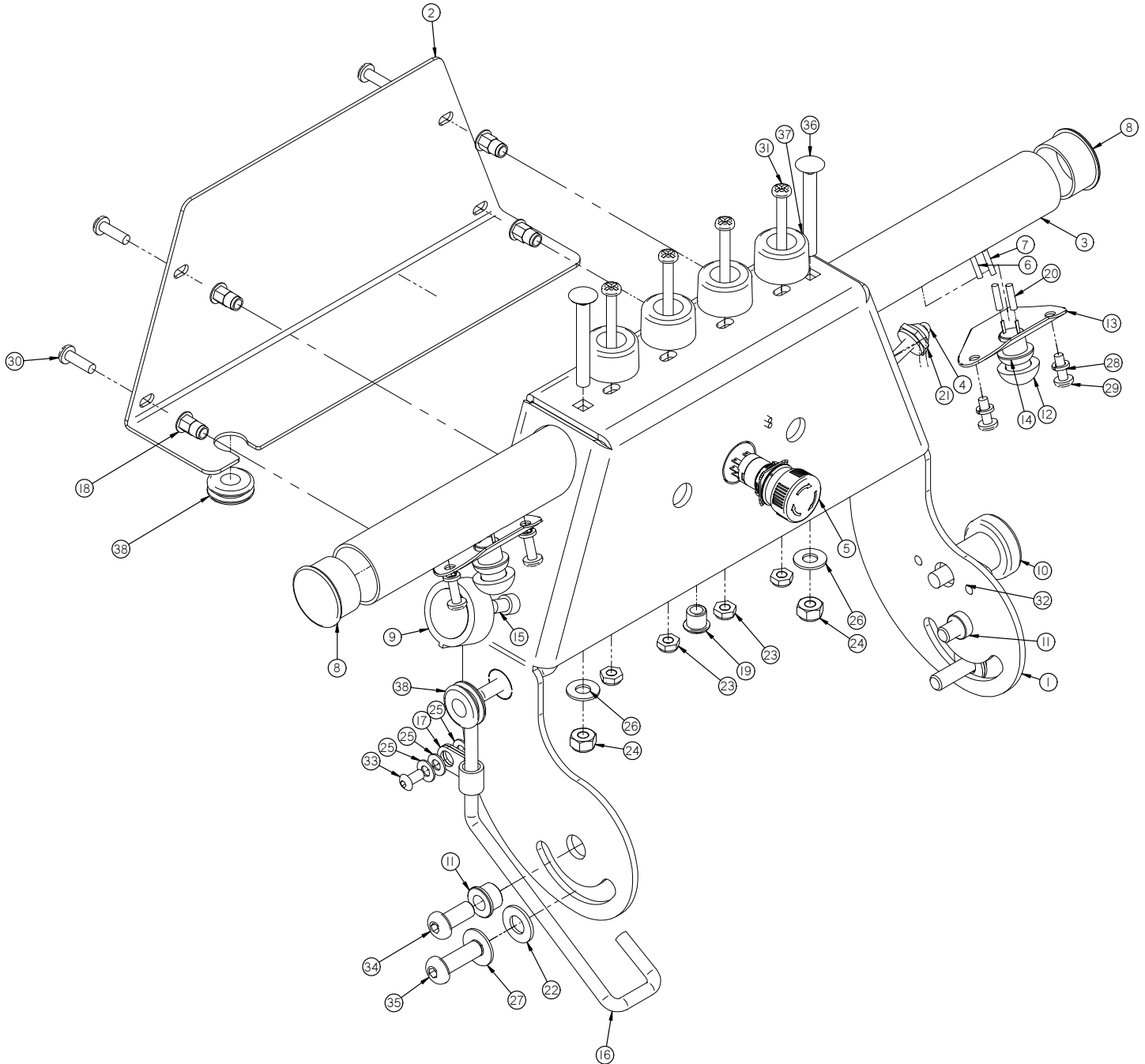
Item	Part No.	Part Description	Qty.	Item	Part No.	Part Description	Qty.
1	150-2005	TRACTION CONTROL PANEL COVER	1	30	H-11202	PROTECTIVE BOOT, TOGGLE SWITCH, (ORANGE)	1
2	150-3012	CONTROL BOX	1	31	H-41007	AB4-3A BLIND RIVET	8
3	150-7891	SQUEEGEE LIFT CABLE, HD	1	32	H-4440024	FW 3/8" X 3/4" NYLON	3
4	170-2700	SPACER, 1-1/2" LG	4	33	H-70854	NYLOK #4-40 SS	6
5	21-2230	MICRO SWITCH	2	34	H-70856	NYLOK #8-32 SS	2
6	21-7101	LIFT KNOB	1	35	H-70860	NYLOK 1/4"- 20 SS	1
7	253-7290	24V BATTERY WARNING PLATE	1	36	H-70861	NYLOK 5/16" - 18 SS	3
8	264-7100	SQUEEGEE LIFT LEVER	1	37	H-70862	NYLOK 3/8"- 16 SS	1
9	290-1247	BRONZE THRUST BEARING, .50" ID X 1.0" OD X 1/16" TH	2	38	H-70922	KN #8-32	5
10	290-2330	RED LIGHT	1	39	H-70923	KN #10-32 SS	4
11	290-234	KEY SWITCH (WITH KEY)	3	40	H-71007	FW #8 SS	4
12	290-234A	KEY SET (REPLACE)	3	41	H-71009	FW #10 SS	2
13	290-2815	CIR. BREAKER - 15A, 24V	2	42	H-71015	FW 5/16 ID X 3/4 OD SS	4
14	290-2891	LCD SCREEN	1	43	H-71017	FW 3/8 ID X 7/8 OD SS	1
15	370-2230	MICRO SWITCH	1	44	H-71063	LW 1/4" SS	4
16	370-8261	CHARGER COUNTER	1	45	H-71212	FNW 1/4 ID X 1.0 OD SS	4
17	370-8920	TOGGLE, ON-OFF SPST	1	46	H-71217	FNW 3/8 ID X 1-1/2 OD SS	2
18	390-2899	CONTROLLER V4	1	47	H-72398	PPH #8-32 X 1/2" S/S	5
19	4-101	SERIAL NUMBER PLATE	1	48	H-72418	PPH #8-32 X 1" S/S	2
20	4-259	CONNECTOR, RED, 50, HOUSING ONLY	1	49	H-72490	PPH #4-40 X 3/4" S/S	6
21	5-234	SWITCH, ROCKER, DPDT, ON/ON	1	50	H-72517	PPH #10-32 X 5/8" S/S	4
22	5-293	15 AMP RELAY	1	51	H-73759	BHSCS 1/4 - 20 X 2.0" SS	4
23	5-728	DETERGENT WARNING PLATE	1	52	H-74420	CB 1/4"- 20 X 1.0" SS	1
24	5-892	TOGGLE, ON-OFF SPST	4	53	H-74436	CB 3/8"- 16 X 1.0" SS	1
25	H-0172522	CB #10-32 X 1-1/4" SS	2	54	H-9307K74	GROMMET, 1" ID X 1-3/4" OD BUNA-N	2
26	H-02309	HCN #10-32, LG CRIMP	4	55	H-NJ05C	JNYL 5/16"- 18 SS	2
27	H-11198	PROTECTIVE BOOT, TOGGLE SWITCH, (GREEN)	1	56	M-9307K23	GROMMET, 3/8 ID X 7/8 OD X 1/8 TH.	2
28	H-11199	PROTECTIVE BOOT, TOGGLE SWITCH, (BLUE)	2				
29	H-11200	PROTECTIVE BOOT, TOGGLE SWITCH, (BLACK)	1				





Item	Part No.	Part Description	Qty.	Item	Part No.	Part Description	Qty.
1	150-2005	TRACTION CONTROL PANEL COVER	1	30	H-11202	PROTECTIVE BOOT, TOGGLE SWITCH, (ORANGE)	1
2	150-3012	CONTROL BOX	1	31	H-41007	AB4-3A BLIND RIVET	8
3	150-7891	SQUEEGEE LIFT CABLE, HD	1	32	H-4440024	FW 3/8" X 3/4" NYLON	3
4	170-2700	SPACER, 1-1/2" LG	4	33	H-70854	NYLOK #4-40 SS	6
5	21-2230	MICRO SWITCH	2	34	H-70856	NYLOK #8-32 SS	2
6	21-7101	LIFT KNOB	1	35	H-70860	NYLOK 1/4"- 20 SS	1
7	253-7290	24V BATTERY WARNING PLATE	1	36	H-70861	NYLOK 5/16"- 18 SS	3
8	264-7100	SQUEEGEE LIFT LEVER	1	37	H-70862	NYLOK 3/8"-16 SS	1
9	290-1247	BRONZE THRUST BEARING, .50" ID X 1.0" OD X 1/16" TH	2	38	H-70922	KN #8-32	5
10	290-2330	RED LIGHT	1	39	H-70923	KN #10-32 SS	4
11	290-234	KEY SWITCH (WITH KEY)	3	40	H-71007	FW #8 SS	4
12	290-234A	KEY SET (REPLACE)	3	41	H-71009	FW #10 SS	2
13	290-2815	CIR. BREAKER - 15A, 24V	2	42	H-71015	FW 5/16 ID X 3/4 OD SS	4
14	290-2891	LCD SCREEN	1	43	H-71017	FW 3/8 ID X 7/8 OD SS	1
15	370-2230	MICRO SWITCH	1	44	H-71063	LW 1/4" SS	4
16	370-8261	CHARGER COUNTER	1	45	H-71212	FNW 1/4 ID X 1.0 OD SS	4
17	370-8920	TOGGLE, ON-OFF SPST	1	46	H-71217	FNW 3/8 ID X 1-1/2 OD SS	2
18	390-2899	CONTROLLER V4	1	47	H-72398	PPH #8-32 X 1/2" S/S	5
19	4-101	SERIAL NUMBER PLATE	1	48	H-72418	PPH #8-32 X 1" S/S	2
20	4-259	CONNECTOR, RED 50, HOUSING ONLY	1	49	H-72490	PPH #4-40 X 3/4" S/S	6
21	5-234	SWITCH, ROCKER, DPDT, ON/VON	1	50	H-72517	PPH #10-32 X 5/8" SS	4
22	5-293	15 AMP RELAY	1	51	H-73759	BHSCS 1/4 - 20 X 2.0" SS	4
23	5-728	DETERGENT WARNING PLATE	1	52	H-74420	CB 1/4"- 20 X 1.0" SS	1
24	5-892	TOGGLE, ON-OFF SPST	4	53	H-74436	CB 3/8"- 16 X 1.0" SS	1
25	H-0172522	CB #10-32 X 1-1/4" SS	2	54	H-9307K74	GROMMET, 1" ID X 1-3/4" OD BUNA-N	2
26	H-02309	HCN #10-32, LG CRIMP	4	55	H-NJ05C	JNYL 5/16"- 18 SS	2
27	H-11198	PROTECTIVE BOOT, TOGGLE SWITCH, (GREEN)	1	56	M-9307K23	GROMMET, 3/8 ID X 7/8 OD X 1/8 TH.	2
28	H-11199	PROTECTIVE BOOT, TOGGLE SWITCH, (BLUE)	2				
29	H-11200	PROTECTIVE BOOT, TOGGLE SWITCH, (BLACK)	1				

## Central Command Handlebar Assembly - Serial #97254 & Less



Item	Part No.	Part Description	Qty.	Item	Part No.	Part Description	Qty.
1	150-1040	ADJUSTABLE HANDLE BAR HOLDER	1	20	H-108	HEAT SHRINK	4
2	150-1042	HANDEL BAR COVER	1	21	H-11196	PROTECTIVE BOOT, TOGGLE SWITCH, IREDI	1
3	150-1044	MICRO-MAG HANDLE BAR (DUAL BUTTON)	1	22	H-4440024	FW 3/8" X 3/4" NYLON	2
4	150-2830	SWITCH, TOGGLE, MOM/OFF/MOM (DPDT)	1	23	H-70858	NYLOK #10-32 SS	4
5	175-0300	Emergency stop switch, 5I series, IC/O	1	24	H-70860	NYLOK 1/4"- 20 SS	2
6	190-1041	RED WIRE, 16 GAGE, 12" LG	2	25	H-71009	FW #10 SS	3
7	190-1042	YELLOW WIRE, 16 GAGE, 12" LG	2	26	H-71013	FW 1/4 ID X 5/8 OD SS	2
8	190-1390	END CAP	2	27	H-71015	FW 5/16 ID X 3/4 OD SS	2
9	21-4520	SPEED CONTROL KNOB, RED	1	28	H-71057	LW #8, SS	4
10	290-7050	INDEX PLUNGER	1	29	H-72398	PPH #8-32 X 1/2" S/S	4
11	370-1245	BUSHING	2	30	H-72517	PPH #10-32 X 5/8" SS	4
12	7-227	BUTTON COVER	2	31	H-72556	PPH #10-32 X 2" SS	4
13	7-228	SWITCH MOUNT PLATE	2	32	H-72681	FHP #10-32 X 3/8" SS	2
14	7-229D	PUSH BUTTON SWITCH	2	33	H-73742	BHSCS 10-32 X 3/8" SS	1
15	7-292	5K POTENTIOMETER	1	34	H-73779	BHSCS 5/16-18 X 3/4"	2
16	E-16MULTI7	MULTI STRAND WIRE	1	35	H-73780	BHSCS 5/16-18 X 1	2
17	H-02239	3/8" VINYL LOOP CLAMP	1	36	H-74423	CB 1/4"- 20 X 2.0" SS	2
18	H-02309	HCN #10-32, LG CRIMP	4	37	H-9540	RUBBER BUMPER, 25/32"	4
19	H-03124	1/4" ID, 3/8" OD, 3/8" LG FLANGED BEARING, NYLON	1	38	M-9307K23	GROMMET, 3/8 ID X 7/8 OD X 1/8 TH.	2

## Common Wear Parts

**ROUND DISK BRUSHES:****NOTICE**

The ## in Disk Column Denotes Desk Pad Size: 17", 20" or 13"

BRUSHES	DISK	LEVEL
Super Grit	##-382SS	Very High
Tough Grit	##-382S	High
Midi Grit	##-382C	Medium
Light Grit	##-382PS	Moderate
Poly	##-382P	Light
Nylon	##-382N	Light
Tampico	##-382T	Light
Pad Driver	##-382D	
Diamond Driver	##-382DD	

**ROUND DISK PADS:****NOTICE**

The ## in Disk Column Denotes Desk Pad Size: 17", 20" or 13"

DISK PADS	DISK	LEVEL	COLOR
Super Black	##-422BB	Very High	Black
Black	##-422B	High	Black
Brown	##-422BR	High	Brown
Green	##-422G	Medium	Green
Blue	##-422BL	Moderate	Blue
Red	##-422R	Moderate	Red
White	##-422W	Light	White

**CYLINDRICAL BRUSHES:**

BRUSHES	MODEL 25"	
	CYLINDRICAL	LEVEL
Tough Grit	236-697S	High
Midi Grit	236-697C	Medium
Light Grit	236-697PS	Moderate
Nylon	236-697N	Light
Tampico	236-697T	Light

**SQUEEGEE BLADE KITS & COMPLETE SQUEEGEE ASSEMBLIES:**

SQUEEGEE SIZE	17" DISK DECKS	20" DISK DECKS	25" CYL. DECKS	26" DISK DECKS
36" Squeegee	Standard	Standard	Standard	Standard
42" Squeegee	Optional	Optional	Optional	Optional

SQUEEGEE SIZE	LINATEX BLADE KIT	GUM RUBBER BLADE KIT	URETHANE BLADE KIT	COMPLETE SQUEEGEE ASSEMBLIES
36" Squeegee	36-770L	36-770G	36-770U	36-7180
42" Squeegee	42-770L	42-770G	42-770U	42-7180

SQUEEGEE MATERIAL:	USED FOR:
LINATEX	Provides best wear and tear resistance. Not designed for use with harsh chemicals.
URETHANE	Provides best resistance when dealing with harsh chemicals, oils, fuels, etc.
GUM	Provides best drying performance on rough/grouted floor types by sealing over irregularities. Short life.

**NOTICE**

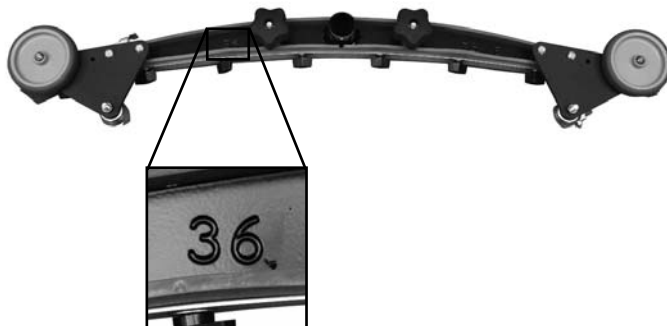
Squeegee blade kits include (1) Rear Blade, (1) Front Blade, and (2) Caster Wheels with hardware.

**NOTICE**

Squeegee Assemblies (complete) listed above all come with Linatex blades.

**NOTICE**

Size is stamped into the top of the painted steel squeegee body on all squeegee's.

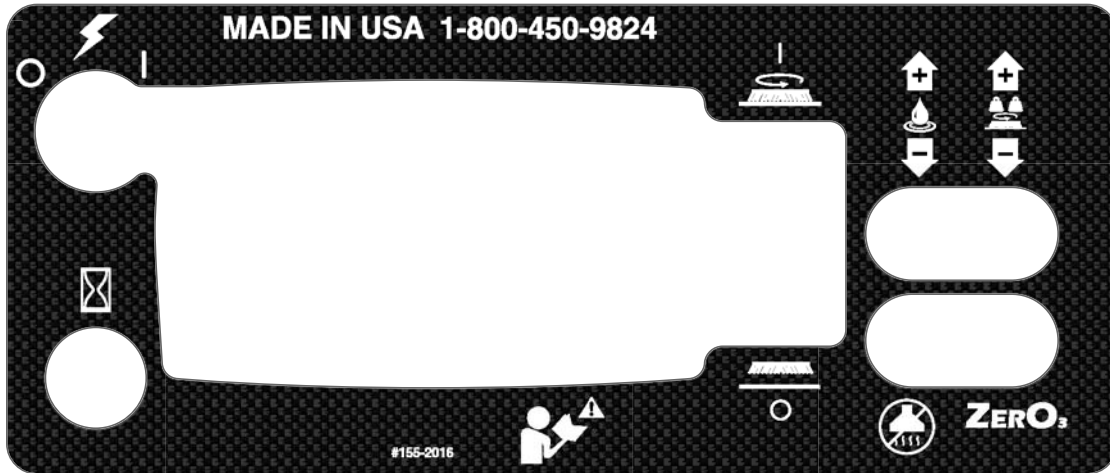


MICRO-HD

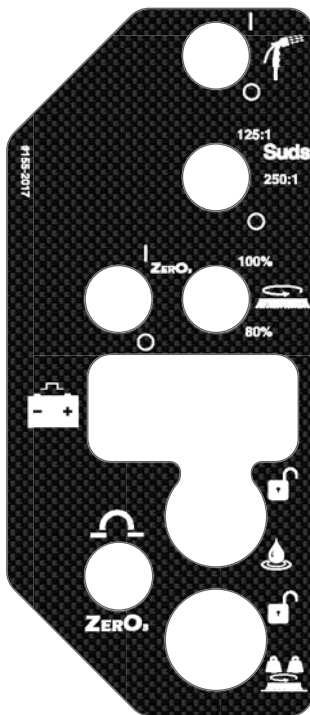
Side Model Sticker - MICRO-HD Part #: 164-1515

**FACTORYCAT**<sup>®</sup>

Front FactoryCat Sticker Part #: 370-7201



Central Command Sticker - Part #: 155-2016



Central Command Side Sticker - Part #: 155-2017



Handlebar Sticker - Part #: 155-2018

**BLANK**  
THIS PAGE WAS INTENTIONALLY LEFT BLANK

**FACTORYCAT<sup>®</sup>**

1711 South Street  
Racine, WI 53404  
[www.factorycat.com](http://www.factorycat.com)  
Tel. US: 800-634-4060  
Tel. Int: (001) 262-681-3583