

FACTORYCAT®

Industrial Cleaning Equipment

Mini-HiD

25" - 29" Scrubbers



A COMPLETE FAMILY OF INDUSTRIAL CLEANING EQUIPMENT



KEY FEATURES

INDUSTRIES



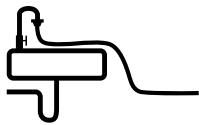
Machine Control Panel uses off-the-shelf toggle and marine duty switches and features universal icons which simplifies training.



Vacuum Muffler allows machine to consistently achieve as low as 62 dB while thoroughly drying the floor.



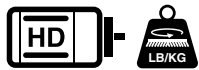
Squeegee Adjustments made simple with quick change squeegee latch allows toolless maintenance and 4-sided squeegee blade.



Front Fill System features a retractable hose for easy filling on standard sink-faucets and a stainless screen for bucket filling.



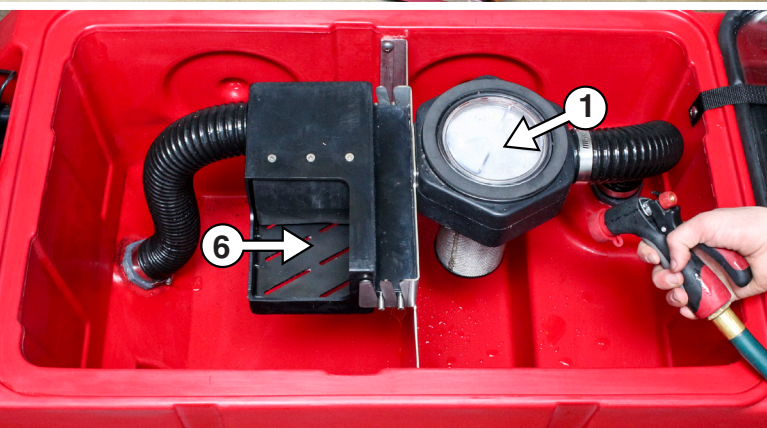
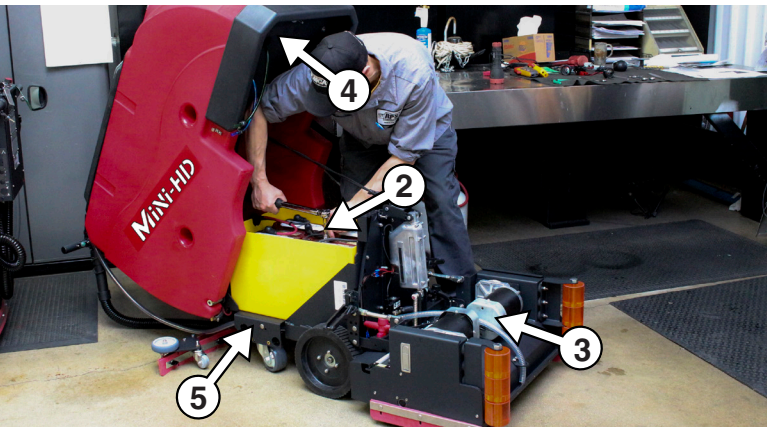
Oversized Vacuum Screen Shut-Off quickly arrests overflow issues to protect the Vacuum Motor.



High Performance motors and down pressure provides an unmatched standard of cleaning.



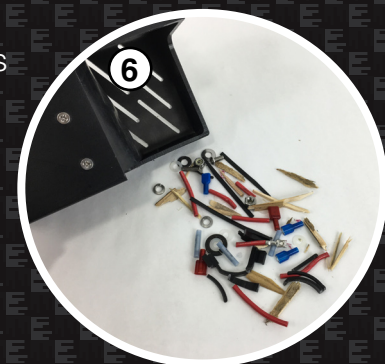
- Fabrication Shops
- Machine Shops
- Aviation
- Beverage Distribution
- Warehouses
- Automotive Shops
- Food Packaging
- Sports Arenas



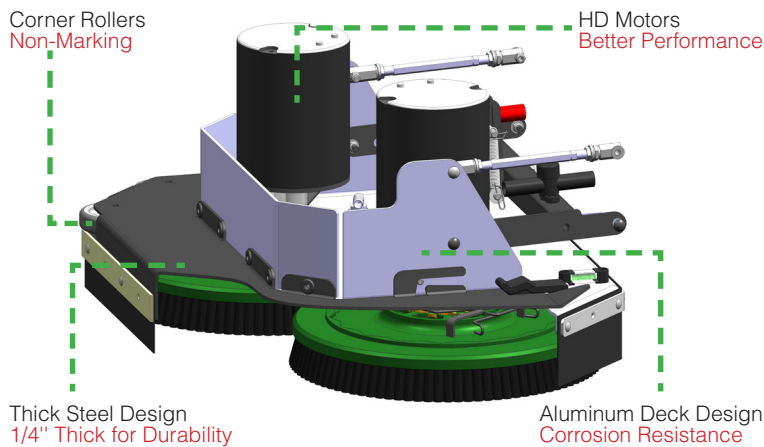
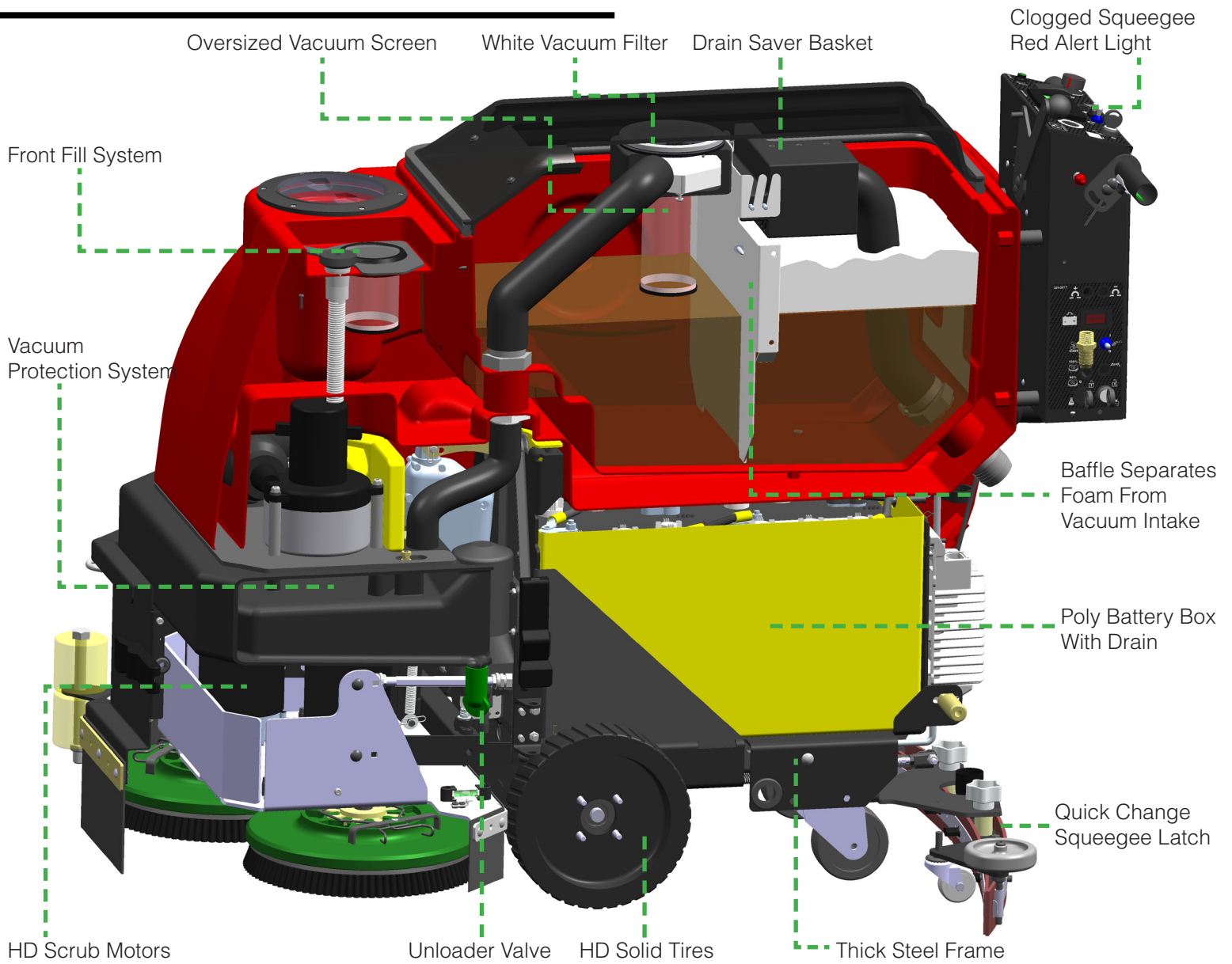
TANK TIPS FOR ACCESS

- 1 Vacuum Screen & Filter Cleaning
- 2 Service Batteries
- 3 Inspect Scrub Motors
- 4 Inspect Vacuum Motor
- 5 Inline Solution Filter
- 6 Drain Saver

Reduce costly repairs associated with clogged floor drains with our Drain Saver Basket.

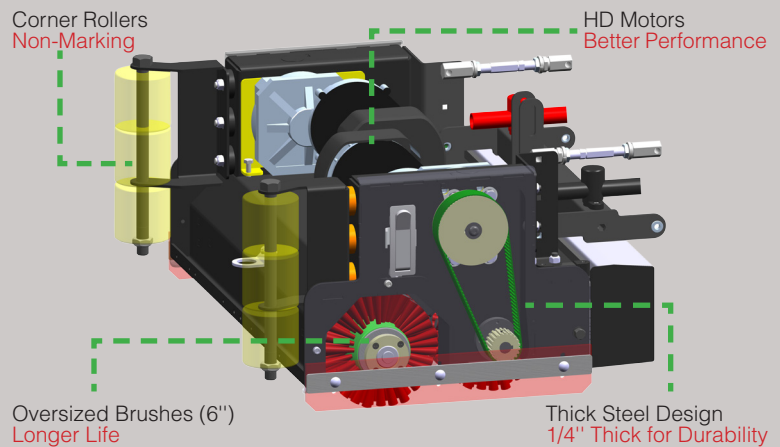


VIEW INSIDE



Disk Benefits

- Brush / Pad Selection
- Lowest Maintenance Cost
- Gimballled Drivers Improves Cleaning On Irregular Floors
- Brushes Individually Driven For Unmatched Performance



Cylindrical Benefits

- Eliminates Dust Mopping
- Scrub & Sweep Simultaneously
- Superior Expansion Joint Cleaning

CALL FOR A DEMONSTRATION



☎ **800-634-4060**
 🌐 **(+001)-262-681-3583**
 🌐 **www.factorycat.com**

Since 1986, our family owned company has been designing, building and supporting the best in floor maintenance equipment. Our **FACTORYCAT** brand services the world with unsurpassed industrial cleaning equipment, continually exceeding expectations and setting the industry bar that much higher.

We've built our reputation by providing the highest value machines and providing local support via 425 distributors in over 42 different countries.

AUTHORIZED DISTRIBUTOR

BODY CONSTRUCTION / DIMENSIONS

| | |
|----------------------------------|--|
| Tank Material: | Poly 3/8" (9.5 mm) |
| Chassis Construction: | 3/16" (4.8 mm) Powder Coated Steel |
| Front Wheels (Diameter x Width): | (2x) 10" x 2.5" ([2x] 25.4 x 6.4 cm) - Solid Black |
| Rear Casters (Diameter x Width): | (2x) 4" x 2" ([2x] 10.2 x 5.1 cm) - Non-Marking Grey |
| Size (L x W x H): | 52" x 22" x 40" (132.1 x 55.9 x 101.6 cm) |
| Weight (w/o Batteries): | 393 - 443 lbs (178 - 201 kg) |
| Weight (w/ 210 ah Batteries): | 625 - 675 lbs (284 - 306 kg) |

BRUSH / PAD SYSTEM

| | |
|---|--|
| Disk Dimensions: | 26" - (2x) 13" Diameter (66 - [2x] 33 cm) |
| <small>Includes Jaws with Rollers for Wall Protection</small> | 28" - (2x) 14" Diameter (71.1 - [2x] 35.6 cm) |
| Disk Motor: | (2x) 0.75 hp / 270 rpm ([2x] 559 watts) |
| Optional Motor Upgrade: | (2x) 1.0 hp / 350 rpm ([2x] 746 watts) |
| Disk Brush Speed: | 270 rpm or 350 rpm |
| Cylindrical Dimensions: | 25" - (2x) 6" x 23" (63.5 - [2x] 15.2 x 58.4 cm) |
| <small>6" Diameter Brush</small> | 29" - (2x) 6" x 27" (73.7 - [2x] 15.2 x 68.6 cm) |
| Cylindrical Motor: | 25" - (2x) 0.75 hp / 350 rpm ([2x] 559 watts) |
| | 29" - (2x) 1.0 hp / 350 rpm ([2x] 746 watts) |
| Cylindrical Brush Speed: | 750 rpm |
| Brush Pressure Settings: | (5) with Auto Adjust |
| Brush Down Pressure: | Up to 175 lbs (79 kg) / 500 lbs (227 kg) Actuator Rating |

POWER SYSTEM

| | |
|---|--|
| System Voltage: | 24 VDC |
| Standard Battery: | 210 ah WET |
| Optional Battery: | 245 ah WET / 250 ah AGM* |
| <small>*Includes Onboard Charger</small> | |
| Run Time: | Up to 3.5 Hours** |
| <small>**Run times are based on continuous scrubbing run times.</small> | |
| Charger: | 120VAC / 60 Hz Input - 24VDC / 25 amp Output |

DRIVE SYSTEM

| | |
|------------------|--|
| Power: | 0.75hp - All Gear / Sealed (559 watts) |
| Forward Speed: | 0 - 290 ft/min / 0 - 3.3 mph (0 - 88 m/min / 0 - 5 km/h) |
| Scrubbing Speed: | 0 - 229 ft/min / 0 - 2.6 mph (0 - 70 m/min / 0 - 4 km/h) |
| Reverse Speed: | 0 - 202 ft/min / 0 - 2.3 mph (0 - 62 m/min / 0 - 4 km/h) |

SOLUTION / RECOVERY SYSTEMS

| | |
|--------------------------------------|--|
| XL Tank Solution Capacity: | 21 Gallons (79.5 liters) - w/ Graduated Site Tube |
| Solution Flow / Filter: | 0 - 0.7 GPM / Stainless Inline (0 - 2 LPM) |
| XL Tank Recovery Capacity: | 23 Gallons (87.1 liters) - 1.5" diameter Drain Hose |
| Optional Small Tank Capacity: | 16 Gal (60.6 liters) Solution / 17 Gal (64.4 liters) Recovery |
| Demisting Chamber: | 1.25 Gallons (4.7 liters) |
| Drain Saver: | 30 cubic inches (492 cubic cm) |
| Vacuum Power: | 0.8 hp / 3 Stage (640 watts) |
| Vacuum Specs (Water Lift / Airflow): | 68" / 72 cfm (173 cm / 2 cm/m) |
| Squeegee: | Curved w/ 4-sided Rear Blade & Quick Change Latch 25C, 26D - 36" (91.4 cm) 28D, 29C - 39" (99.1 cm) Optional - 33" & 42" (83.8, 106.7 cm) |

GENERAL

| | |
|---|---|
| Cleaning Width: | 26" & 28" - Disk (66 & 71.1 cm) 25" & 29" - Cylindrical (63.5 & 73.7 cm) |
| Productivity - Theoretical: | Up to 27,027 sqft (2,511 sqm)*** |
| <small>***Productivity is based off of ISSA 2010 Cleaning Times</small> | |
| Productivity - Practical: | Up to 12,526 sqft (1,164 sqm)*** |
| <small>***Productivity is based off of ISSA 2010 Cleaning Times</small> | |



Manufactured By
 R.P.S. Corporation
 1711 South Street
 Racine, Wisconsin 53404 (USA)
 Phone: (800) 634-4060
 International: (+001) 262-681-3583
 www.factorycat.com