



Minuteman®

BIO-HAZ VAC



Specifically Designed for the Remediation of Hazardous Molds Through Five (5) Filter Media:

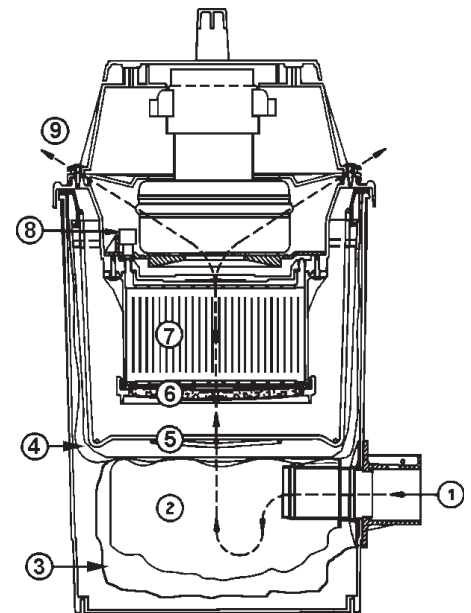
- **Stachybotrys Colonies**
- **Aspergillus Spores**
- **Penicillium Spores**

U.L.P.A. (Ultra Low Particulate Air) Filter Provides 99.999% Efficiency at 0.12 Microns!

In addition to mold remediation, the Bio-Haz Vac is ideally suited for the removal and containment of "Anthrax" dust and viral particulate collection. The Bio-Haz Vac is designed for dry-only pick up (particulate matter only - not vapor!)

Units include: Filters, complete pre-filter package and tool kit 1-1/2". Units are shipped ready-to-use – just plug in and turn on!

SIZE	PART#
6 Gallon (1.25 H.P. , 2-Stage, 95 CFM, 85" waterlift)	C82907-00
15 Gallon (2 H.P. , 2-Stage, 110 CFM, 105" waterlift)	C82917-00



Replacement bags and filters:

For use with C82907-00

110121PKG	Impact Filters (12/pk)
384003PKG	4/6G Paper bag (10/pk)
761177PKG	Disp. filter protectors (10/pk)
800056	Cloth filter assembly w/frame, 6 gal.
802206PKG	Encapsulation plastic bags (10/pk)

For use with C82917-00

110121PKG	Impact Filters (12/pk)
760598PKG	Disposable Paper Filters (10/pk)
805038PKG	Disp. filter protectors (10/pk)
805057	Cloth filter assembly w/frame, 15 gal.
802215PKG	Encapsulation plastic bags (10/pk)

- 1) Intake
- 2) Disposable Paper Collector Bag
- 3) Plastic Bag
- 4) Disposable Paper Filter Protector
- 5) Cloth Filter w/Frame
- 6) Disposable Impact Filter
- 7) U.L.P.A. Filter
- 8) Safety Interlock
- 9) Exhaust