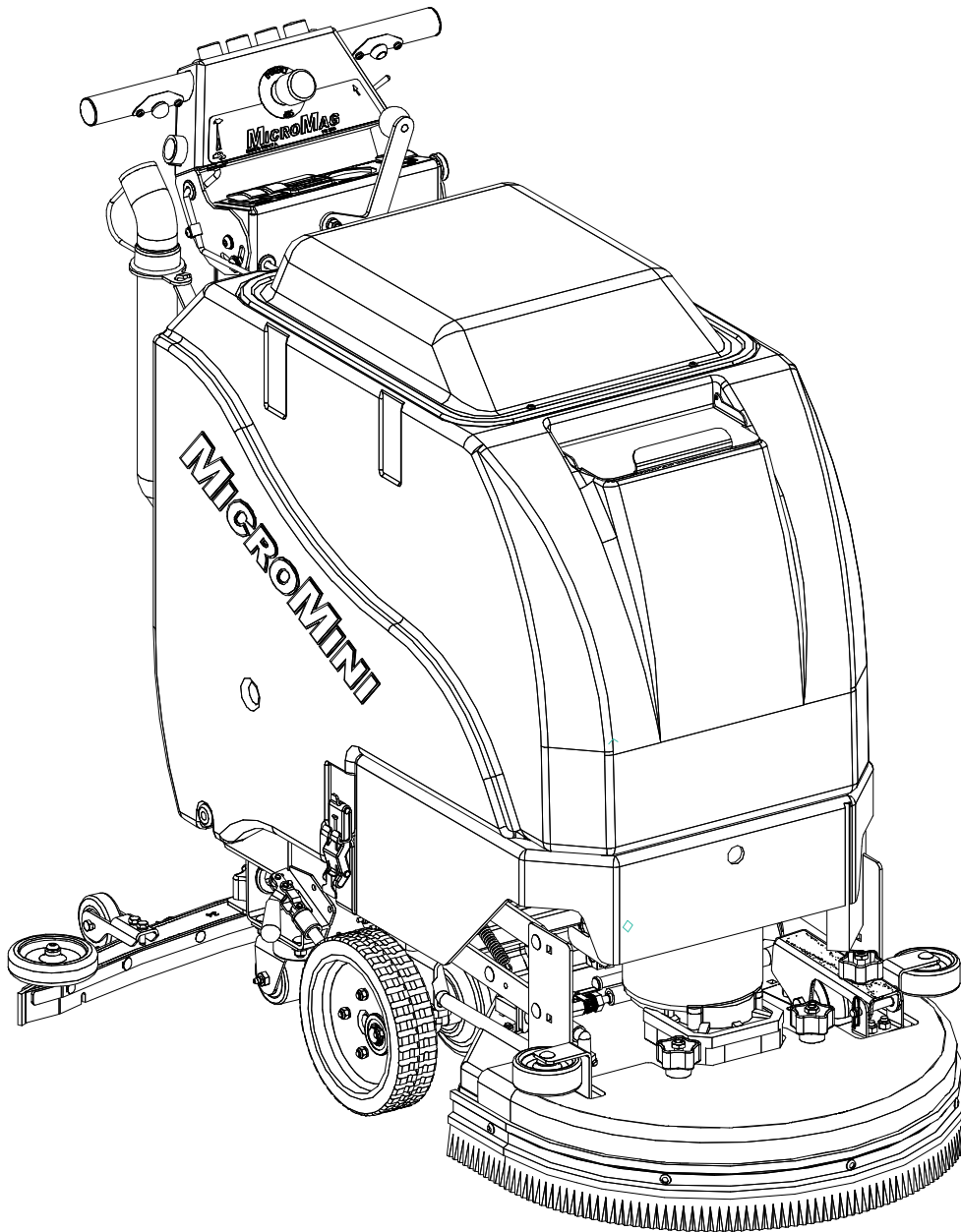




# MICROMINI

## Parts Manual (EN)



Read the Operators Manual  
before using the machine.



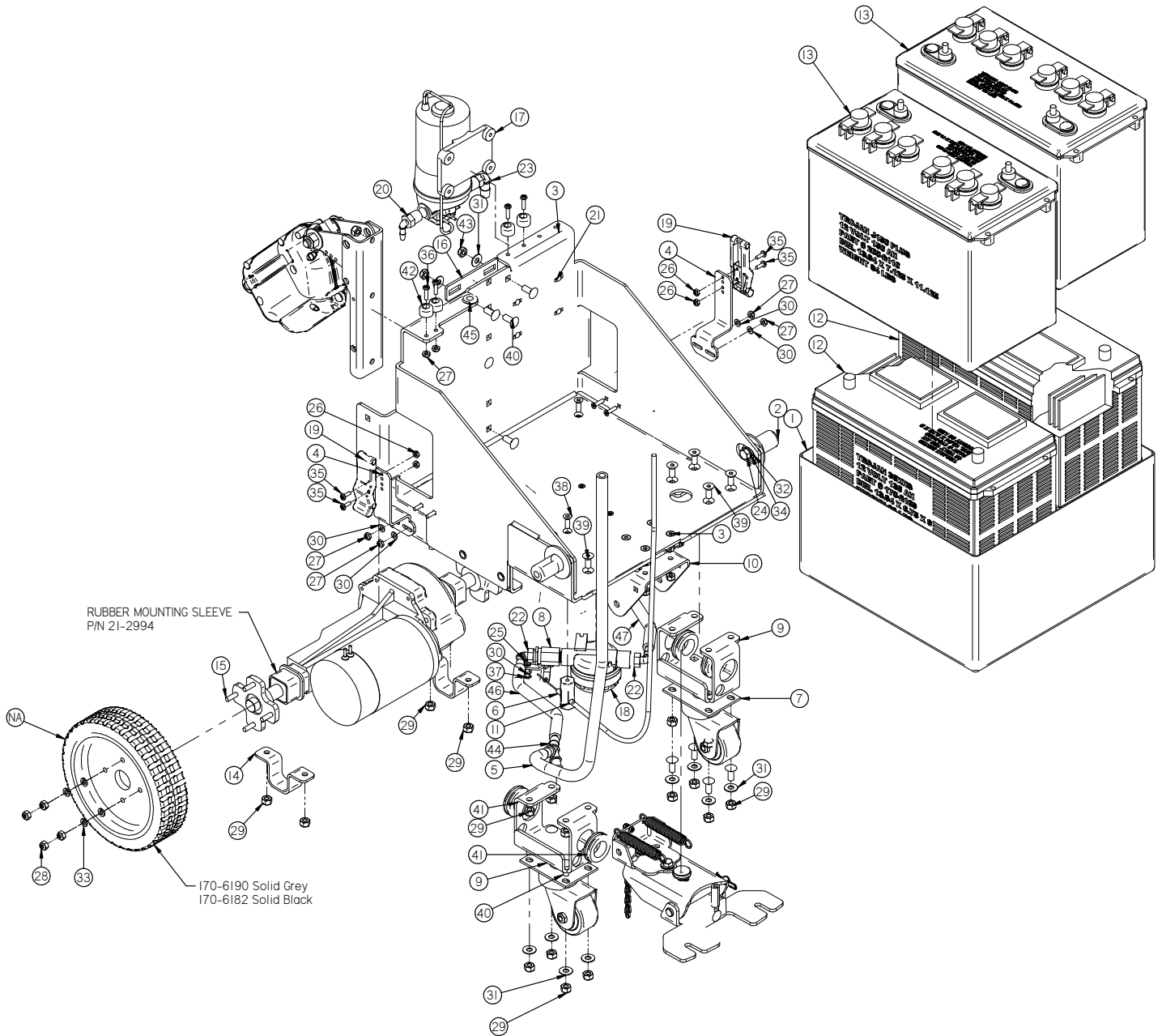
Read the Safety Messages  
before servicing machine.



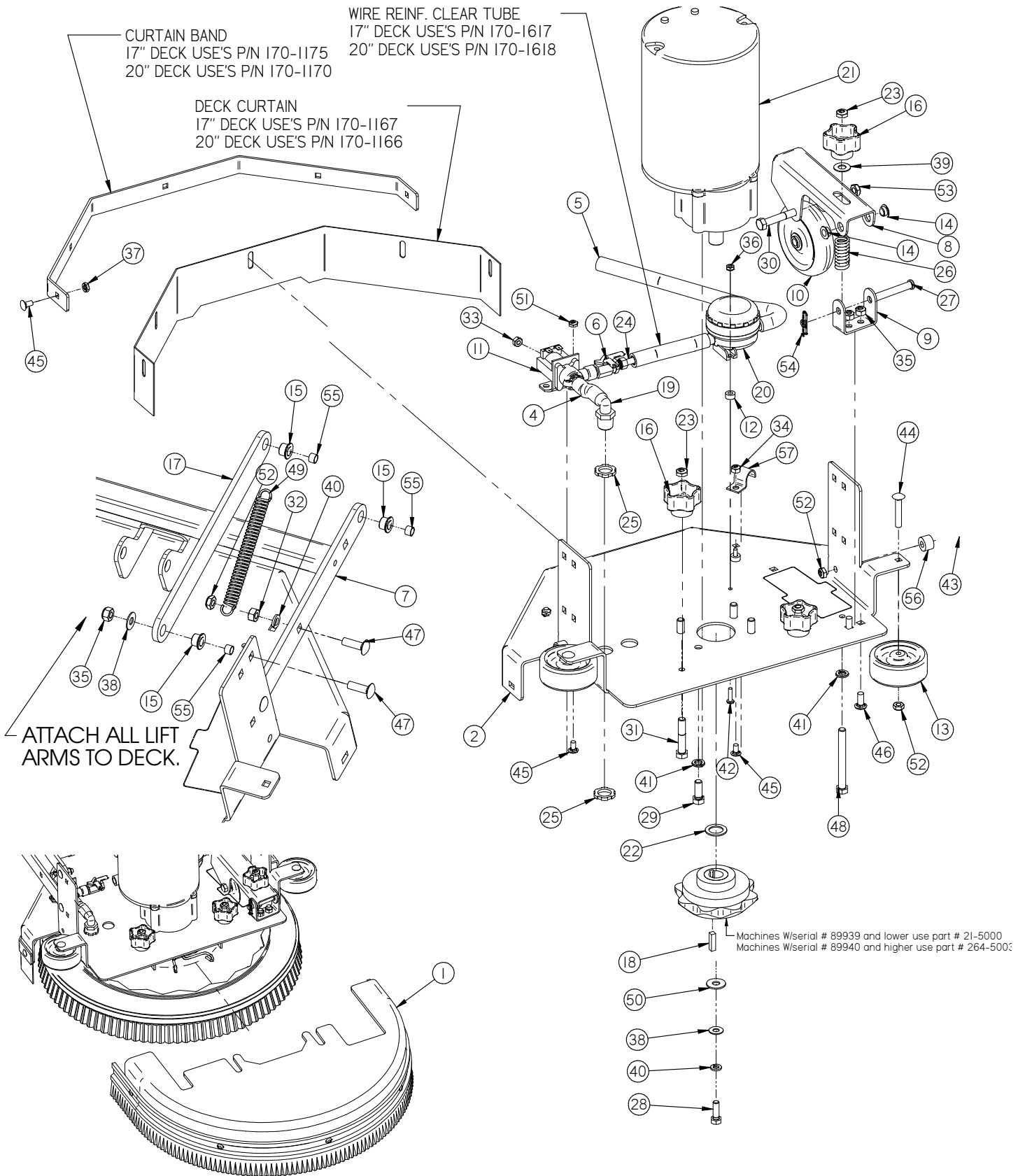
---

|  |    |
|--|----|
| Machine Frame - Brush Assist.....                    | 4  |
| Machine Frame - Traction Drive .....                 | 5  |
| 20 Inch Disk Deck - Brush Assist.....                | 6  |
| 20 Inch Disk Deck - Traction.....                    | 8  |
| 20 Inch EDGE Deck .....                              | 10 |
| 24 Inch EDGE Deck .....                              | 12 |
| Tank Assembly - Serial Number 94937 and greater..... | 14 |
| Tank Assembly - Serial Number 94937 and greater..... | 15 |
| Tank Assembly - Serial Number 94936 and lower.....   | 16 |
| Clear Dome Lid Assembly .....                        | 17 |
| Central Command - Brush Assist .....                 | 18 |
| Central Command - Traction .....                     | 19 |
| Handlebar and Squeegee Lift Arm Assembly.....        | 20 |
| Squeegee Drag Link Assembly .....                    | 21 |
| Squeegee Tool Assembly .....                         | 22 |
| Actuator Lift Assembly.....                          | 23 |
| Batteries and Chargers.....                          | 24 |
| Common Wear Parts .....                              | 25 |
| Common Wear Parts .....                              | 26 |
| Common Wear Parts .....                              | 27 |



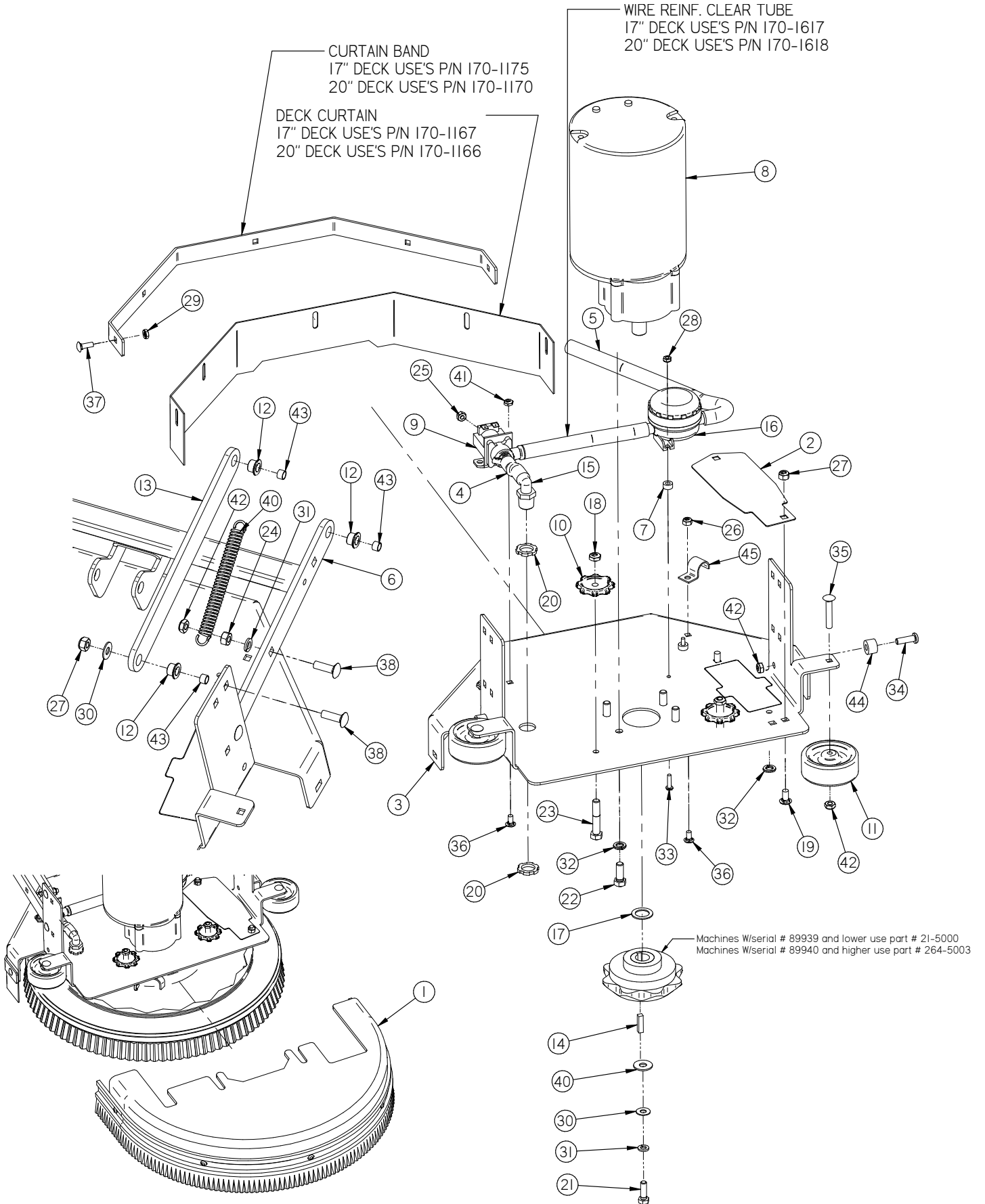


| Item | Part No.  | Part Description                             | Qty. | Item | Part No.   | Part Description                   | Qty. |
|------|-----------|--|------|------|------------|------------------------------------|------|
| 1    | 150-0002  | MINI MICRO BATTERY TRAY                      | 1    | 25   | H-70855    | NYLOK #6-32 SS                     | 1    |
| 2    | 150-1061  | BOSS   | 2    | 26   | H-70856    | NYLOK #8-32 SS                     | 4    |
| 3    | 150-1105  | MINI-MICRO FRAME                             | 1    | 27   | H-70858    | NYLOK #10-32 SS                    | 5    |
| 4    | 150-1123  | TANK LATCH                                   | 2    | 28   | H-70860    | NYLOK 1/4" - 20 SS                 | 1    |
| 5    | 150-1370  | SIGHT TUBE                                   | 1    | 29   | H-70861    | NYLOK 5/16" - 18 SS                | 17   |
| 6    | 150-2017  | cabl. sleeve,par                             | 1    | 30   | H-71009    | FW #10 SS                          | 5    |
| 7    | 150-3030  | CASTER                                       | 1    | 31   | H-71015    | FW 5/16 ID X 3/4 OD SS             | 3    |
| 8    | 150-4158  | BALL VALVE, 3/8"                             | 1    | 32   | H-71017    | FW 3/8 ID X 7/8 OD SS              | 2    |
| 9    | 150-5010  | CASTER MOUNT                                 | 2    | 33   | H-71063    | LW 1/4" SS                         | 1    |
| 10   | 150-7611  | SQUEEGEE DRAG BRACKET                        | 1    | 34   | H-71067    | LW 3/8" SS                         | 2    |
| 11   | 150-9131  | CABLE GUIDE                                  | 1    | 35   | H-72398    | PPH #8-32 X 1/2" S/S               | 4    |
| 12   | 170-2109  | BATTERY, 12 V, 130 AH TROJAN                 | 2    | 36   | H-72416    | PPHMS #10-32 X 3/4" S/S            | 1    |
| 13   | 200-2110  | J150 PLUS 12V 150AH BATTERY                  | 2    | 37   | H-72516    | PPH #6-32 X 1/2" SS                | 1    |
| 14   | 21-1010   | AXLE MOUNT                                   | 2    | 38   | H-73882    | FHSCS 1/4" - 20 X 3/4" S/S         | 1    |
| 15   | 21-3009   | TRANSAXLE                                    | 1    | 39   | H-73907    | FHSCS 5/16" - 18 X 3/4" SS         | 8    |
| 16   | 253-1040  | TANK STRAP SUPPORT                           | 1    | 40   | H-74429    | CB 5/16" - 18 X 3/4" SS            | 17   |
| 17   | 253-8910  | PUMP, WATER JET                              | 1    | 41   | H-9307K74  | GROMMET, 1" ID X 1-3/4" OD BUNA-N  | 5    |
| 18   | 370-9130  | INLINE FILTER                                | 1    | 42   | H-9540     | RUBBER BUMPER, 25/32"              | 6    |
| 19   | 4-124     | LATCH  | 2    | 43   | H-NJ05C    | JNYL 5/16" - 18 SS                 | 1    |
| 20   | 400-1225  | 375 NPT X .25 BARB X 90 DEG                  | 1    | 44   | M-5463K116 | WYE, 3/8", NYLON                   | 1    |
| 21   | H-0172522 | CB #10-32 X 1-1/4" SS                        | 4    | 45   | M-9307K23  | GROMMET, 3/8 ID X 7/8 OD X 1/8 TH. | 1    |
| 22   | H-04762   | ELBOW, 90 DEG X 3/8" MNPT X 3/8" BARB, NYLON | 2    | 46   | T-375R0700 | SOLUTION HOSE                      | 1    |
| 23   | H-04763   | ELBOW, 90 DEG X 3/8" MNPT X 1/2" BARB, NYLON | 1    | 47   | T-375R1700 | SOLUTION HOSE                      | 1    |
| 24   | H-70109   | HCS 3/8" - 16 X 1-1/2" SS                    | 2    |      |            |                                    |      |



## 20 Inch Disk Deck - Brush Assist

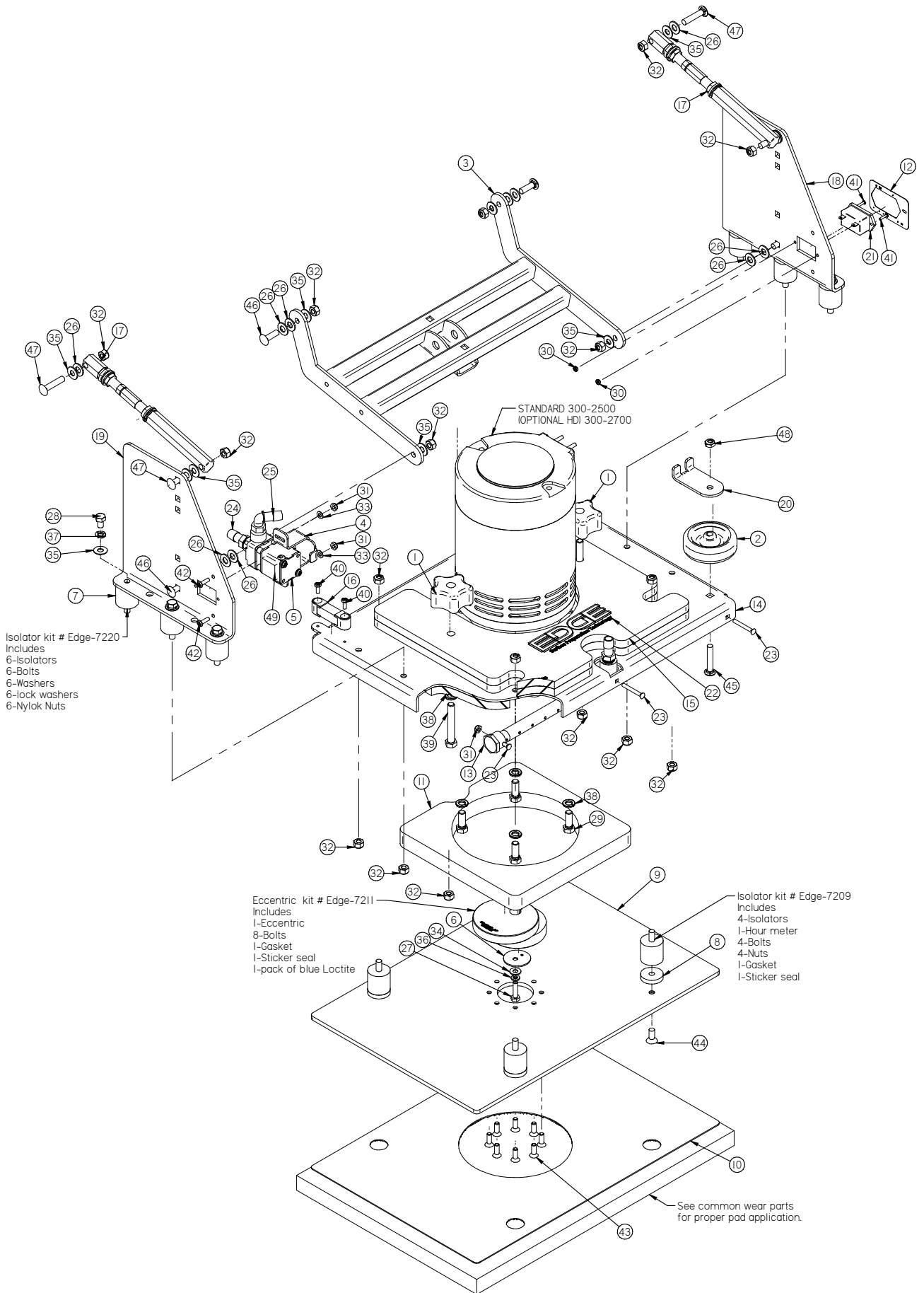
| Item | Part No.    | Part Description                               | Qty. |
|------|-------------|--|------|
| 1    | I2I         | SUB #I2I 20 INCH SHROUD ASSEMBLY               | 1    |
| 2    | 170-1120    | DISK DECK PLATFORM, 20"                        | 1    |
| 3*   | 170-1600    | 1/2" ID X 4-1/2" LG WIRE REINF. CLEAR TUBE     | 1    |
| 4    | 170-1601    | 1/2" ID X 2-3/4" LG WIRE REINF. CLEAR TUBE     | 1    |
| 5    | 170-1602    | 1/2" ID X 14" LG WIRE REINF. CLEAR TUBE        | 1    |
| 6    | 170-4158    | BALL VALVE, 1/4"                               | 1    |
| 7    | 170-9586    | LATERAL ARM                                    | 1    |
| 8    | 190-1030    | DECK WHEEL PIVOT BRACKET                       | 1    |
| 9    | 190-1035    | DECK WHEEL PIVOT SUPPORT                       | 1    |
| 10   | 190-3020    | 4.0" WHEEL (RED)                               | 1    |
| 11   | 190-4500    | ADJUSTABLE SOLUTION FLOW VALVE, WITH 1/4" NPTF | 1    |
| 12   | 21-2211     | SPACER 1/2 OD X 1/4"                           | 2    |
| 13   | 21-7600     | SIDE WHEEL (GREY)                              | 2    |
| 14   | 290-1233    | 3/8" ID, 1/2" OD, 1/4" LG BEARING              | 2    |
| 15   | 290-1245    | 3/8" ID, 1/2" OD, 3/8" LG, FLANGE BEARING      | 8    |
| 16   | 290-5787    | STAR KNOB, 3/8-24 THREAD                       | 3    |
| 17   | 5-124       | LATERAL ARM                                    | 2    |
| 18   | 5-431       | 1/4" X 1" KEY                                  | 1    |
| 19   | 5-447       | 1/2 NPT X 1/2" BARB ELBOW                      | 1    |
| 20   | 5-913       | INLINE FILTER                                  | 1    |
| 21   | 7-222       | MOTOR, 24-V, 3/4 HP, 200 RPM                   | 1    |
| 22   | H-00222     | FW 3/4" ID X 1 1/8" OD X 3/32" SS              | 1    |
| 23   | H-0171004   | JNYL 3/8- 24 SS                                | 3    |
| 24   | H-05122     | .25 NPT X .50 BARB                             | 1    |
| 25   | H-07005     | 1/2" NPT LOCKNUT                               | 2    |
| 26   | H-111       | SPRING, 1/2" ID X 2-1/2" LG                    | 1    |
| 27   | H-15675     | CLEVIS PIN, 3/8" X 2-1/2"                      | 1    |
| 28   | H-70055     | HCS 5/16" - 18 X 1" SS                         | 1    |
| 29   | H-70105     | HCS 3/8" - 16 X 1" SS                          | 4    |
| 30   | H-70112     | HCS 3/8" - 16 X 2-1/4" SS                      | 1    |
| 31   | H-70146     | HCS 3/8" - 24 X 2" SS                          | 2    |
| 32   | H-70711     | HN 5/16" - 18 SS                               | 2    |
| 33   | H-70730     | HN 1/4" - 28 SS                                | 1    |
| 34   | H-70860     | NYLOK 1/4" - 20 SS                             | 1    |
| 35   | H-70861     | NYLOK 5/16" - 18 SS                            | 6    |
| 36   | H-70923     | KN #10-32 SS                                   | 2    |
| 37   | H-70925     | KN 1/4-20 S/S                                  | 5    |
| 38   | H-71015     | FW 5/16 ID X 3/4 OD SS                         | 5    |
| 39   | H-71017     | FW 3/8 ID X 7/8 OD SS                          | 1    |
| 40   | H-71065     | LW 5/16" SS                                    | 3    |
| 41   | H-71067     | LW 3/8" SS                                     | 7    |
| 42   | H-72534     | PPH #10-32 X 3/4" S/S                          | 2    |
| 43   | H-73780     | BHSCS 5/16-18 X 1                              | 2    |
| 44   | H-74401     | CB 5/16"- 18 X 1-3/4" SS                       | 2    |
| 45   | H-74417     | CB 1/4"- 20 X .5" SS                           | 8    |
| 46   | H-74429     | CB 5/16"- 18 X 3/4" SS                         | 2    |
| 47   | H-74430     | CB 5/16"- 18 X 1" SS                           | 6    |
| 48   | H-92865A227 | HCS 3/8"- 24 X 3.5" SS                         | 1    |
| 49   | H-96546     | SPRING, 5" LG X 1/2" OD X .073 WIRE            | 2    |
| 50   | H-99001     | FW 3/8" SS NOM ID .4375 X OD 1.0               | 1    |
| 51   | H-NJ04C     | JNYL 1/4" - 20 SS                              | 2    |
| 52   | H-NJ05C     | JNYL 5/16"- 18 SS                              | 6    |
| 53   | H-NJ06C     | JNYL 3/8- 16 SS                                | 1    |
| 54   | H-RUE14     | 3/8" RUE RING COTTER                           | 1    |
| 55   | M-6391K403  | .312 ID X .375 OD X .25 LG BEARING SLEEVE      | 8    |
| 56   | M-92825A201 | .325" ID X 3/4" OD X 1/2" LDPE SPACER          | 2    |
| 57   | M-9434T27   | 3/4" DIA I HOLE TUBE STRAP                     | 1    |





## 20 Inch Disk Deck - Traction

| Item | Part Number | Part Description                           | Qty |
|------|-------------|--|-----|
| 1    | 121         | SUB #121 20 INCH SHROUD ASSEMBLY           | 1   |
| 2    | 170-1030    | DISK DECK COVER PLATE                      | 1   |
| 3    | 170-1120    | DISK DECK PLATFORM, 20"                    | 1   |
| 4    | 170-1601    | 1/2" ID X 2-3/4" LG WIRE REINF. CLEAR TUBE | 1   |
| 5    | 170-1602    | 1/2" ID X 14" LG WIRE REINF. CLEAR TUBE    | 1   |
| 6    | 170-9586    | LATERAL ARM                                | 1   |
| 7    | 21-2211     | SPACER 1/2 OD X 1/4"                       | 2   |
| 8    | 21-2500     | MOTOR 3/4 HP X 270 RPM                     | 1   |
| 9    | 21-4500     | ADJUSTABLE SOLUTION FLOW VALVE             | 1   |
| 10   | 21-7205     | PALM GRIP KNOB, 3/8-24                     | 2   |
| 11   | 21-7600     | SIDE WHEEL (GREY)                          | 2   |
| 12   | 290-1245    | 3/8" ID, 1/2" OD, 3/8" LG, FLANGE BEARING  | 8   |
| 13   | 5-124       | LATERAL ARM                                | 2   |
| 14   | 5-431       | 1/4" X 1" KEY                              | 1   |
| 15   | 5-447       | 1/2 NPT X 1/2" BARB ELBOW                  | 1   |
| 16   | 5-913       | INLINE FILTER                              | 1   |
| 17   | H-00222     | FW 3/4" ID X 1 1/8" OD X 3/32" SS          | 1   |
| 18   | H-0171004   | JNYL 3/8- 24 SS                            | 2   |
| 19   | H-0172526   | CB 5/16"- 18 X 5/8" SS                     | 2   |
| 20   | H-07005     | 1/2" NPT LOCKNUT                           | 2   |
| 21   | H-70055     | HCS 5/16"- 18 X 1" SS                      | 1   |
| 22   | H-70105     | HCS 3/8"- 16 X 1" SS                       | 4   |
| 23   | H-70146     | HCS 3/8"- 24 X 2" SS                       | 2   |
| 24   | H-70711     | HN 5/16"- 18 SS                            | 2   |
| 25   | H-70730     | HN 1/4"- 28 SS                             | 1   |
| 26   | H-70860     | NYLOK 1/4"- 20 SS                          | 1   |
| 27   | H-70861     | NYLOK 5/16" - 18 SS                        | 6   |
| 28   | H-70923     | KN #10-32 SS                               | 2   |
| 29   | H-70925     | KN 1/4-20 S/S                              | 5   |
| 30   | H-71015     | FW 5/16 ID X 3/4 OD SS                     | 5   |
| 31   | H-71065     | LW 5/16" SS                                | 3   |
| 32   | H-71067     | LW 3/8" SS                                 | 7   |
| 33   | H-72534     | PPH #10-32 X 3/4" S/S                      | 2   |
| 34   | H-73780     | BHSCS 5/16-18 X 1                          | 2   |
| 35   | H-74401     | CB 5/16"- 18 X 1-3/4" SS                   | 2   |
| 36   | H-74417     | CB 1/4"- 20 X .5" SS                       | 3   |
| 37   | H-74419     | CB 1/4"- 20 X .75" SS                      | 5   |
| 38   | H-74430     | CB 5/16"- 18 X 1" SS                       | 6   |
| 39   | H-96546     | SPRING, 5" LG X 1/2" OD X .073 WIRE        | 2   |
| 40   | H-99001     | FW 3/8" SS NOM ID .4375 X OD 1.0           | 1   |
| 41   | H-NJ04C     | JNYL 1/4" - 20 SS                          | 2   |
| 42   | H-NJ05C     | JNYL 5/16"- 18 SS                          | 6   |
| 43   | M-639IK403  | .312 ID X .375 OD X .25 LG BEARING SLEEVE  | 8   |
| 44   | M-92825A201 | .325" ID X 3/4" OD X 1/2" LDPE SPACER      | 2   |
| 45   | M-9434T27   | 3/4" DIA 1 HOLE TUBE STRAP                 | 1   |



Isolator kit # Edge-7220  
Includes  
6-Isolators  
6-Bolts  
6-Washers  
6-lock washers  
6-Nylok Nuts

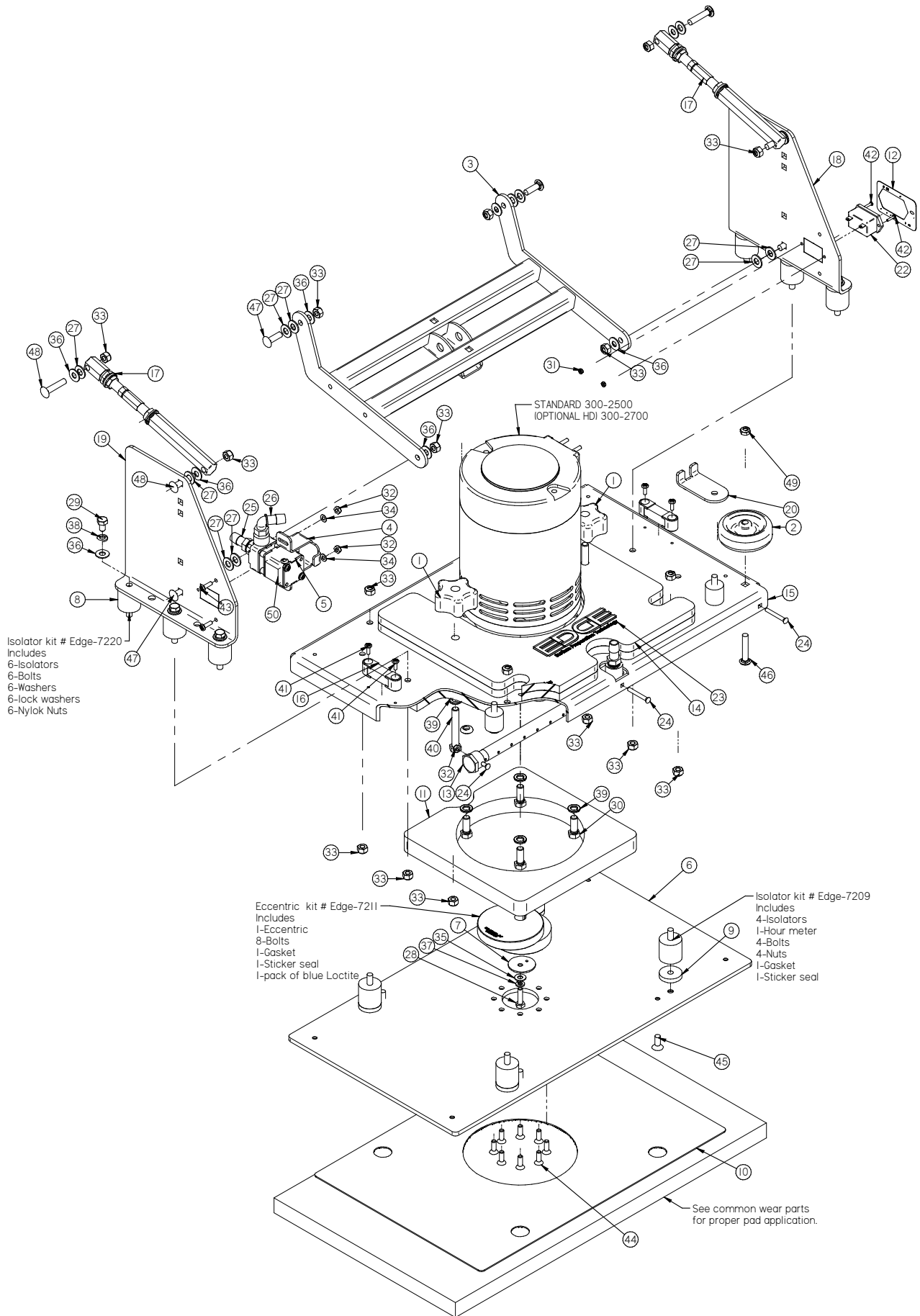
Eccentric kit # Edge-7211  
Includes  
1-Eccentric  
8-Bolts  
1-Gasket  
1-Sticker seal  
1-pack of blue Loctite

Isolator kit # Edge-7209  
Includes  
4-Isolators  
1-Hour meter  
4-Bolts  
4-Nuts  
1-Gasket  
1-Sticker seal

See common wear parts  
for proper pad application.

## 20 Inch EDGE Deck

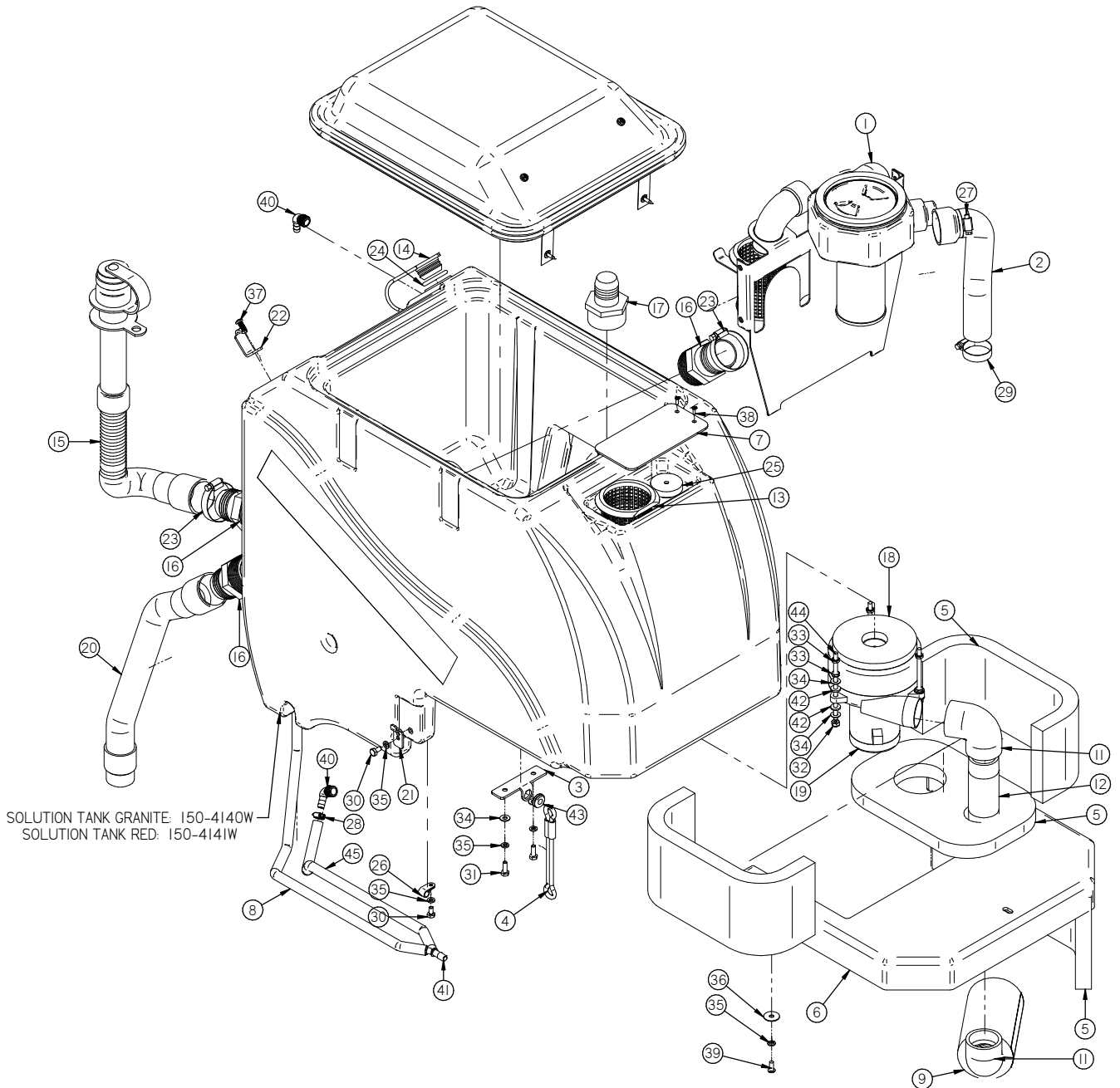
| Item | Part No.    | Part Description                             | Qty. |
|------|-------------|--|------|
| 1    | 150-5786    | STAR KNOB, 3/8-16 THREAD                     | 2    |
| 2    | 150-7601    | 3" SIDE WHEEL (GREY)                         | 2    |
| 3    | 150-9588    | LATERAL ARM                                  | 1    |
| 4    | 250-5280    | VALVE BRACKET                                | 1    |
| 5    | 253-4500    | FLOW VALVE (24V)                             | 1    |
| 6    | 300-01030Z  | CRUSH WASHER                                 | 1    |
| 7    | 300-01032Z  | RUBBER ISOLATOR                              | 14   |
| 8    | 300-01033Z  | 20 & 28" SPACER                              | 4    |
| 9    | 300-01034Z  | 20 INCH ALUMINUM PAD DRIVER                  | 1    |
| 10   | 300-01037Z  | GRIP FACE                                    | 1    |
| 11   | 300-1073    | 1" BEARING GASKET                            | 1    |
| 12   | 300-2013    | ISOLATOR STICKER                             | 1    |
| 13   | 300-3020    | 20 INCH EDGE SOL. FEED TUBE                  | 1    |
| 14   | 300-4020    | 20 INCH SQUARE HEAD DECK                     | 1    |
| 15   | 300-4021    | MINIMAG/MAGNUM 14 LBS WEIGHT                 | 2    |
| 16   | 300-4030    | LEVEL  | 2    |
| 17   | 300-8421    | ADJUSTABLE LATERAL ARM                       | 2    |
| 18   | 300-9070    | (LH) DECK LIFTING BRACKET                    | 1    |
| 19   | 300-9071    | (RH) DECK LIFTING BRACKET                    | 1    |
| 20   | 300-9072    | WHEEL BRACKET                                | 2    |
| 21   | 8-262       | HOUR METER                                   | 1    |
| 22   | EDGE-7205   | 5 INCH EDGE STICKER                          | 1    |
| 23   | H-0172523   | CB #10-32 X 1-1/2" SS                        | 3    |
| 24*  | H-04763     | .375 NPT X .50 BARB                          | 1    |
| 25   | H-04764     | ELBOW, 90 DEG X 3/8" MNPT X 1/2" BARB, NYLON | 1    |
| 26   | H-4440024   | FW 3/8" X 3/4" NYLON                         | 12   |
| 27   | H-70005     | HCS 1/4"- 20 X 1" SS                         | 1    |
| 28   | H-70051     | HCS 5/16"- 18 X 1/2"                         | 6    |
| 29   | H-70105     | HCS 3/8"- 16 X 1" SS                         | 4    |
| 30   | H-70854     | NYLOK #4-40 SS                               | 2    |
| 31   | H-70858     | NYLOK #10-32 SS                              | 5    |
| 32   | H-70861     | NYLOK 5/16" - 18 SS                          | 18   |
| 33   | H-71009     | FW #10 SS                                    | 2    |
| 34   | H-71013     | FW 1/4 ID X 5/8 OD SS                        | 1    |
| 35   | H-71015     | FW 5/16 ID X 3/4 OD SS                       | 14   |
| 36   | H-71063     | LW 1/4" SS                                   | 1    |
| 37   | H-71065     | LW 5/16" SS                                  | 6    |
| 38   | H-71067     | LW 3/8" SS                                   | 6    |
| 39   | H-71190     | HCS 3/8"- 16 X 2-1/2" SS (FULLY THREADED)    | 2    |
| 40   | H-72398     | PPH #8-32 X 1/2" S/S                         | 4    |
| 41   | H-72486     | PPH #4-40 X 1/2" S/S                         | 2    |
| 42   | H-72517     | PPH #10-32 X 5/8" SS                         | 2    |
| 43   | H-72708     | FHP 1/4"- 20 X 3/4"                          | 8    |
| 44   | H-73907     | FHSCS 5/16"- 18 X 3/4" SS                    | 4    |
| 45   | H-74401     | CB 5/16"- 18 X 1-3/4" SS                     | 2    |
| 46   | H-74430     | CB 5/16"- 18 X 1" SS                         | 4    |
| 47   | H-74432     | CB 5/16"- 18 X 1-1/2" SS                     | 4    |
| 48   | H-NJ05C     | JNYL 5/16"- 18 SS                            | 2    |
| 49   | T-438350025 | VALVE PAD                                    | 1    |



## 24 Inch EDGE Deck

| Item | Part No.    | Part Description                             | Qty. |
|------|-------------|--|------|
| 1    | 150-5786    | STAR KNOB, 3/8-16 THREAD                     | 2    |
| 2    | 150-7601    | 3" SIDE WHEEL (GREY)                         | 2    |
| 3    | 150-9588    | LATERAL ARM                                  | 1    |
| 4    | 250-5280    | VALVE BRACKET                                | 1    |
| 5    | 253-4500    | FLOW VALVE (24V)                             | 1    |
| 6    | 300-01024Z  | 24 INCH ALUMINUM PAD DRIVER                  | 1    |
| 7    | 300-01030Z  | CRUSH WASHER                                 | 1    |
| 8    | 300-01032Z  | RUBBER ISOLATOR                              | 14   |
| 9    | 300-01033Z  | 20 & 28" SPACER                              | 4    |
| 10   | 300-01037Z  | GRIP FACE                                    | 1    |
| 11   | 300-1073    | 1" BEARING GASKET                            | 1    |
| 12   | 300-2013    | ISOLATOR STICKER                             | 1    |
| 13   | 300-3024    | 24 INCH EDGE SOL. FEED TUBE                  | 1    |
| 14   | 300-4021    | MINIMAG/MAGNUM 14 LBS WEIGHT                 | 2    |
| 15   | 300-4027    | 24 INCH SQUARE HEAD DECK                     | 1    |
| 16   | 300-4030    | LEVEL  | 2    |
| 17   | 300-8421    | ADJUSTABLE LATERAL ARM                       | 2    |
| 18   | 300-9070    | (LH) DECK LIFTING BRACKET                    | 1    |
| 19   | 300-9071    | (RH) DECK LIFTING BRACKET                    | 1    |
| 20   | 300-9072    | WHEEL BRACKET                                | 2    |
| 21*  | 5-846       | STANDOFF, 1.03"                              | 2    |
| 22   | 8-262       | HOUR METER                                   | 1    |
| 23   | EDGE-7205   | 5 INCH EDGE STICKER                          | 1    |
| 24   | H-0172523   | CB #10-32 X 1-1/2" SS                        | 3    |
| 25*  | H-04763     | .375 NPT X .50 BARB                          | 1    |
| 26*  | H-04764     | ELBOW, 90 DEG X 3/8" MNPT X 1/2" BARB, NYLON | 1    |
| 27   | H-4440024   | FW 3/8" X 3/4" NYLON                         | 12   |
| 28   | H-70005     | HCS 1/4"- 20 X 1" SS                         | 1    |
| 29   | H-70051     | HCS 5/16"- 18 X 1/2"                         | 6    |
| 30   | H-70105     | HCS 3/8"- 16 X 1" SS                         | 4    |
| 31   | H-70854     | NYLOK #4-40 SS                               | 2    |
| 32   | H-70858     | NYLOK #10-32 SS                              | 5    |
| 33   | H-70861     | NYLOK 5/16" - 18 SS                          | 18   |
| 34   | H-71009     | FW #10 SS                                    | 2    |
| 35   | H-71013     | FW 1/4 ID X 5/8 OD SS                        | 1    |
| 36   | H-71015     | FW 5/16 ID X 3/4 OD SS                       | 14   |
| 37   | H-71063     | LW 1/4" SS                                   | 1    |
| 38   | H-71065     | LW 5/16" SS                                  | 6    |
| 39   | H-71067     | LW 3/8" SS                                   | 6    |
| 40   | H-71190     | HCS 3/8"- 16 X 2-1/2" SS (FULLY THREADED)    | 2    |
| 41   | H-72398     | PPH #8-32 X 1/2" S/S                         | 4    |
| 42   | H-72486     | PPH #4-40 X 1/2" S/S                         | 2    |
| 43   | H-72517     | PPH #10-32 X 5/8" SS                         | 2    |
| 44   | H-72708     | FHP 1/4"- 20 X 3/4"                          | 8    |
| 45   | H-73907     | FHSCS 5/16"- 18 X 3/4" SS                    | 4    |
| 46   | H-74401     | CB 5/16"- 18 X 1-3/4" SS                     | 4    |
| 47   | H-74430     | CB 5/16"- 18 X 1" SS                         | 4    |
| 48   | H-74432     | CB 5/16"- 18 X 1-1/2" SS                     | 4    |
| 49   | H-NJ05C     | JNYL 5/16"- 18 SS                            | 4    |
| 50   | T-438350025 | VALVE PAD                                    | 1    |

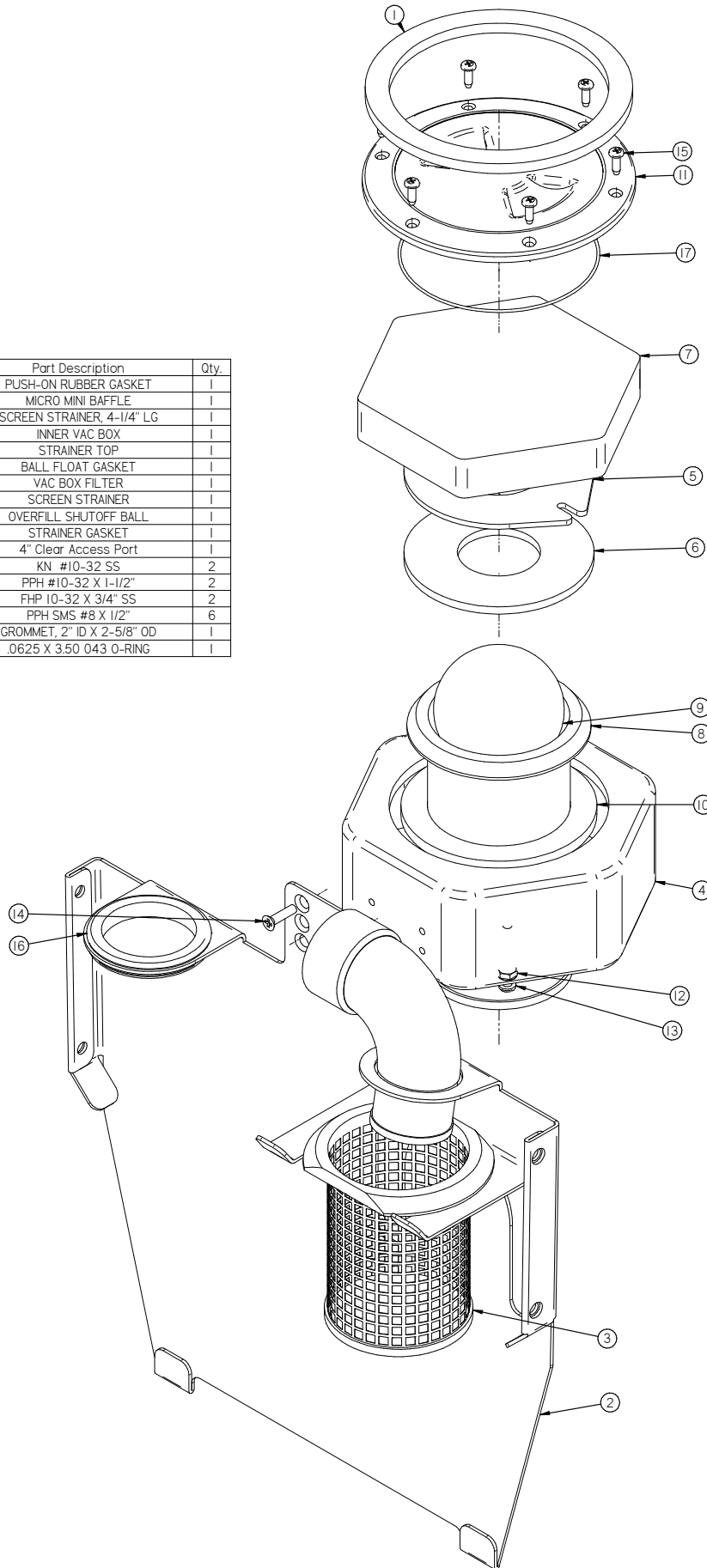
## Tank Assembly - Serial Number 94937 and greater



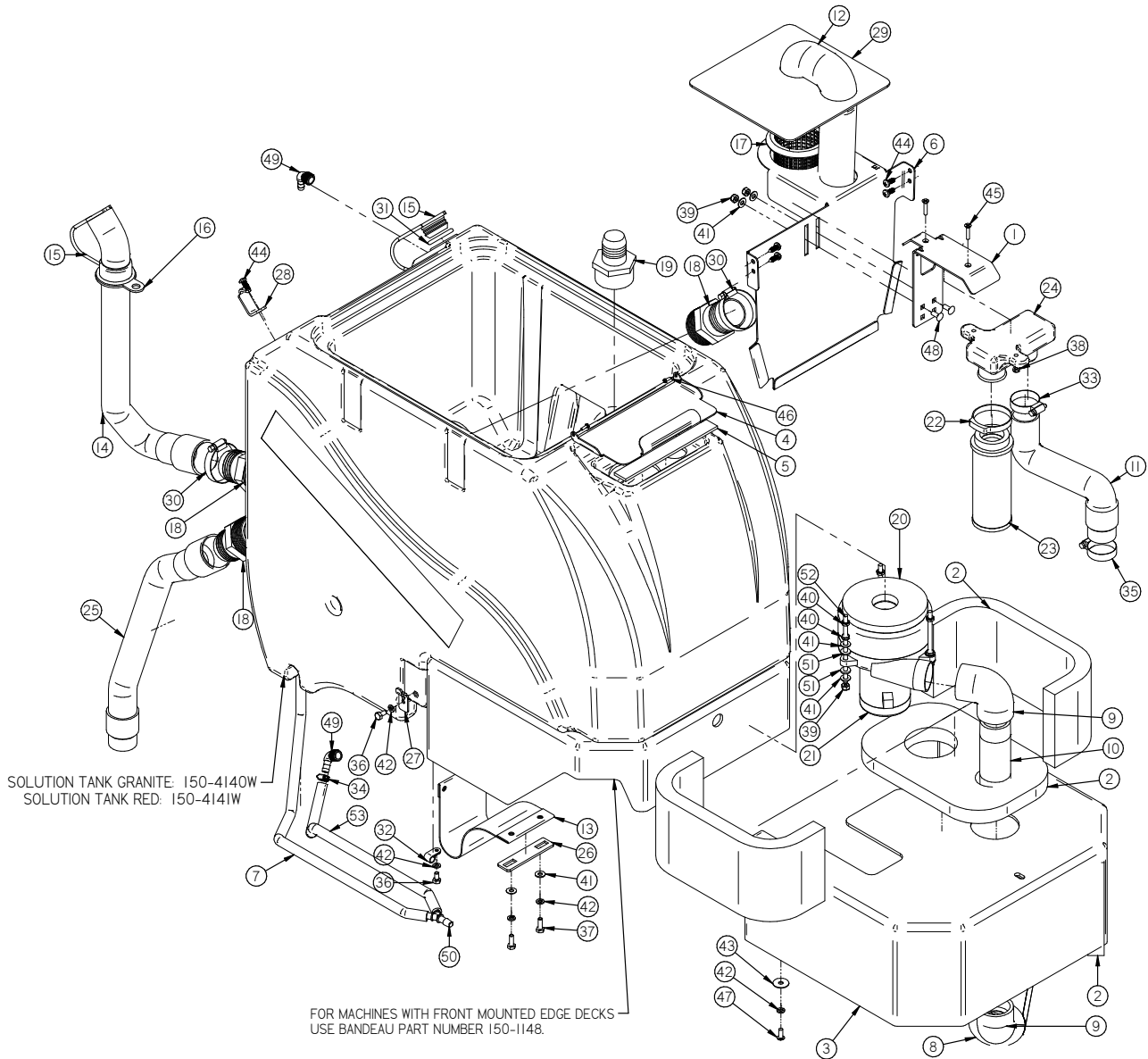
| Item | Part No. | Part Description              | Qty. | Item | Part No.    | Part Description                           | Qty. |
|------|----------|-------------------------------|------|------|-------------|--|------|
| 1    | 150-0115 | INNER SQUEEGEE HOSE           | 1    | 24   | 5-8290      | O-RING, #324, 1.35" X 1.77" X .210" BUNA-N | 1    |
| 2    | 150-0120 | INNER VAC HOSE                | 1    | 25   | 500-1380    | FILL HOSE                                  | 1    |
| 3    | 150-1039 | TANK STRAP BRACKET            | 1    | 26   | H-0127288   | #6 3/8" RUBBER LOOP CLAMP                  | 1    |
| 4    | 150-1046 | TANK STRAP                    | 1    | 27   | H-0427612   | CLAMP 3/4" - 1-3/4" SS                     | 1    |
| 5    | 150-1137 | VAC MOTOR INSULATION          | 1    | 28   | H-62002     | HOSE CLAMP, #4 S/S                         | 1    |
| 6    | 150-1145 | BANDEAU COVER (DISK), PLASTIC | 1    | 29   | H-62044     | CLAMP 1.0" - 2.0" SS                       | 1    |
| 7    | 150-1229 | SPLASH CURTAIN                | 1    | 30   | H-70001     | HCS 1/4"-20 X 1/2 SS"                      | 3    |
| 8    | 150-1370 | SIGHT TUBE                    | 1    | 31   | H-70003     | HCS 1/4"-20 X 3/4" SS                      | 2    |
| 9    | 150-2502 | VACUUM FAN MUFFLER, 8" LG     | 2    | 32   | H-70860     | NYLOK 1/4"- 20 SS                          | 3    |
| 10   | 150-7285 | BATTERY CONFIGURATION PLATE   | 1    | 33   | H-70925     | KN 1/4-20 S/S                              | 6    |
| 11   | 150-7291 | EXHAUST ELBOW                 | 2    | 34   | H-71013     | FW 1/4 ID X 5/8 OD SS                      | 8    |
| 12   | 150-7292 | I-1/2" X 5" NIPPLE            | 1    | 35   | H-71063     | LW 1/4" SS                                 | 8    |
| 13   | 150-8911 | SCREEN STRAINER, 4-1/4" LG    | 1    | 36   | H-71212     | FNW 1/4 ID X 1.0 OD SS                     | 3    |
| 14   | 170-7211 | I-1/2 HOSE CAP                | 1    | 37   | H-71893     | 1/4 X 3/4 SELF TAPPING SCREW               | 1    |
| 15   | 175-7210 | RECOVERY DRAIN HOSE           | 1    | 38   | H-72904     | PPH SMS #6 X 1/2" SS                       | 2    |
| 16   | 190-1210 | 2.0" MNPT X 2.0" BARB, PVC    | 3    | 39   | H-73753     | BHSCS 1/4 - 20 X 5/8" SS                   | 3    |
| 17   | 190-1215 | 2.0" MNPT X 1.50" BARB, PVC   | 1    | 40   | M-53525K18  | ELBOW, 3/8" MNPT X 3/8" BARB, BRASS        | 2    |
| 18   | 190-3002 | VAC MOTOR GASKET              | 1    | 41   | M-5463K116  | WYE, 3/8", NYLON                           | 1    |
| 19   | 190-5250 | VAC MOTOR, 3/4 HP, TANGENTIAL | 1    | 42   | M-90130A029 | .25" NEOPRENE WASHER                       | 6    |
| 20   | 253-0111 | SQUEEGEE HOSE                 | 1    | 43   | M-9307K23   | GROMMET, 3/8 ID X 7/8 OD X 1/8 TH.         | 1    |
| 21   | 253-1240 | CLIP                          | 2    | 44   | M-95412A562 | FTS 1/4"- 20 X 5" SS                       | 3    |
| 22   | 253-9491 | HOOK                          | 1    | 45   | T-038R1700  | ELBOW TO WYE - HOSE                        | 1    |
| 23   | 5-719    | CLAMP 1 9/16 - 2 1/2" SS      | 2    |      |             |  |      |

Tank Assembly - Serial Number 94937 and greater

| Item | Part No.   | Part Description           | Qty. |
|------|------------|----------------------------|------|
| 1    | 150-1075   | PUSH-ON RUBBER GASKET      | 1    |
| 2    | 150-1134   | MICRO MINI BAFFLE          | 1    |
| 3    | 170-8911   | SCREEN STRAINER, 4-1/4" LG | 1    |
| 4    | 175-1133   | INNER VAC BOX              | 1    |
| 5    | 175-4080   | STRAINER TOP               | 1    |
| 6    | 175-4103   | BALL FLOAT GASKET          | 1    |
| 7    | 264-4086   | VAC BOX FILTER             | 1    |
| 8    | 264-9111   | SCREEN STRAINER            | 1    |
| 9    | 38-712     | OVERFILL SHUTOFF BALL      | 1    |
| 10   | 38-738     | STRAINER GASKET            | 1    |
| 11   | 400-4250   | 4" Clear Access Port       | 1    |
| 12   | H-70923    | KN #10-32 SS               | 2    |
| 13   | H-72554    | PPH #10-32 X 1-1/2"        | 2    |
| 14   | H-72684    | FHP 10-32 X 3/4" SS        | 2    |
| 15   | H-72914    | PPH SMS #8 X 1/2"          | 6    |
| 16   | H-9307K74  | GROMMET, 2" ID X 2-5/8" OD | 1    |
| 17   | M-9452K132 | .0625 X 3.50 043 O-RING    | 1    |



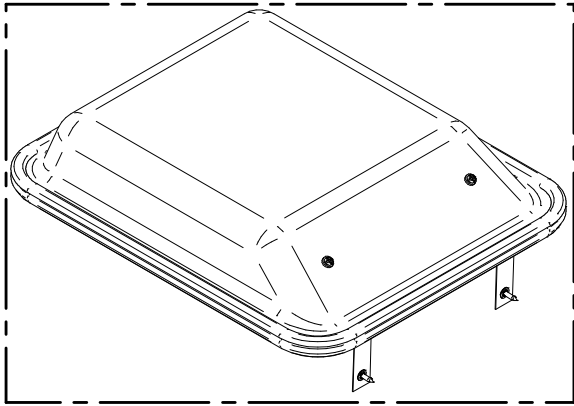
## Tank Assembly - Serial Number 94936 and lower



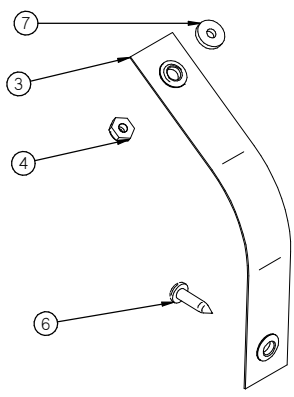
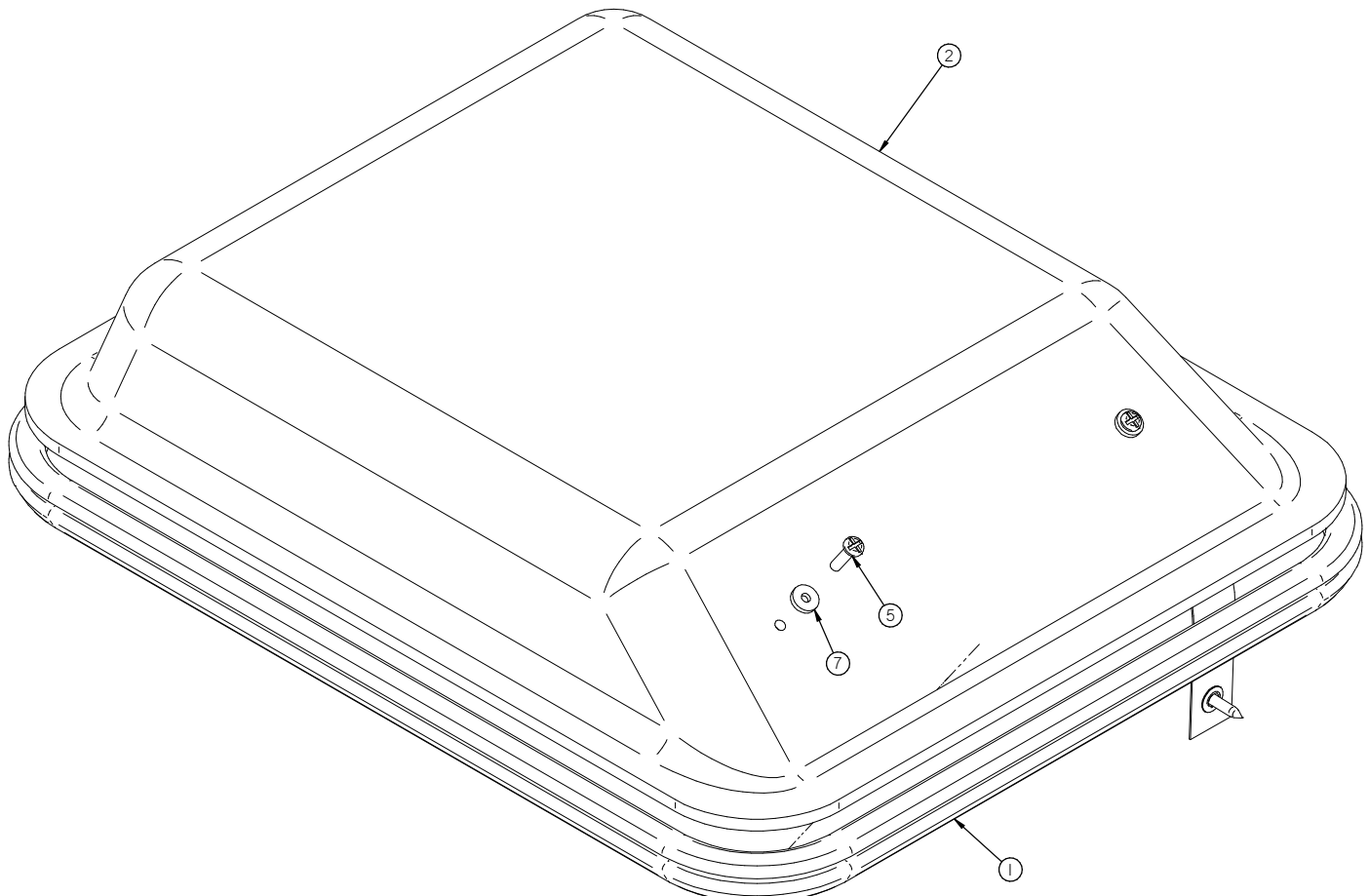
| Item | Part No. | Part Description                    | Qty. | Item | Part No.    | Part Description                          | Qty. |
|------|----------|-------------------------------------|------|------|-------------|---|------|
| 1    | 150-1122 | BALL FLOAT HOLDER                   | 1    | 28   | 253-9491    | HOOK                                      | 1    |
| 2    | 150-1137 | VAC MOTOR INSULATION                | 1    | 29   | 370-1129    | TANK BACK SPLASH                          | 1    |
| 3    | 150-1147 | BANDEAU COVER (DISK), PLASTIC       | 1    | 30   | 5-719       | CLAMP 1/916 - 2 1/2" SS                   | 2    |
| 4    | 150-1180 | SOLUTION FILL LID                   | 1    | 31   | 5-8290      | O-RING #324, 1.35" X 1.77" X .210" BUNA-N | 1    |
| 5    | 150-1190 | SEAL                                | 1    | 32   | H-0127288   | #6 3/8" RUBBER LOOP CLAMP                 | 1    |
| 6    | 150-1230 | BAFFLE                              | 1    | 33   | H-0427612   | CLAMP 3/4" - 1-3/4" SS                    | 1    |
| 7    | 150-1370 | SIGHT TUBE                          | 1    | 34   | H-62002     | HOSE CLAMP, #4 S/S                        | 1    |
| 8    | 150-2502 | VACUUM FAN MUFFLER, 8" LG           | 1    | 35   | H-62044     | CLAMP 1.0" - 2.0" SS                      | 1    |
| 9    | 150-7291 | EXHAUST ELBOW                       | 2    | 36   | H-70001     | HCS 1/4"-20 X 1/2 SS"                     | 2    |
| 10   | 150-7292 | 1-1/2" X 5" NIPPLE                  | 1    | 37   | H-70003     | HCS 1/4"-20 X 3/4" SS                     | 2    |
| 11   | 170-0120 | 1-1/2" DIA. INNER VAC HOSE          | 1    | 38   | H-70858     | NYLOK #10-32 SS                           | 1    |
| 12   | 170-0121 | INNER SQUEEGEE HOSE                 | 1    | 39   | H-70860     | NYLOK 1/4" - 20 SS                        | 4    |
| 13   | 170-1045 | TANK STRAP, 22" LG X 4" WIDE        | 1    | 40   | H-70925     | KN 1/4-20 S/S                             | 5    |
| 14   | 170-7210 | 1-1/2 INCH DIA. COMPLETE DRAIN HOSE | 1    | 41   | H-71013     | FW 1/4 ID X 5/8 OD SS                     | 8    |
| 15   | 170-7211 | 1-1/2 HOSE CAP                      | 2    | 42   | H-71063     | LW 1/4" SS                                | 5    |
| 16   | 170-7212 | STRAP HOSE RETAINER, 2"             | 1    | 43   | H-71212     | FNW 1/4 ID X 1.0 OD SS                    | 1    |
| 17   | 170-8911 | SCREEN STRAINER, 4-1/4" LG          | 1    | 44   | H-71893     | 1/4 X 3/4 SELF TAPPING SCREW              | 5    |
| 18   | 190-1210 | 2.0" MNPT X 2.0" BARB, PVC          | 3    | 45   | H-72685     | FHP 10-32 X 1" SS                         | 2    |
| 19   | 190-1215 | 2.0" MNPT X 1.50" BARB, PVC         | 1    | 46   | H-72904     | PPH SMS #6 X 1/2" SS                      | 2    |
| 20   | 190-3002 | VAC MOTOR GASKET                    | 1    | 47   | H-73753     | BHSCS 1/4 - 20 X 5/8" SS                  | 1    |
| 21   | 190-5250 | VAC MOTOR, 3/4 HP, TANGENTIAL       | 1    | 48   | H-74418     | CB 1/4" - 20 X 5/8" S/S                   | 2    |
| 22   | 21-4028  | SNAP GRIP CLAMP                     | 1    | 49   | M-53525K18  | ELBOW, 3/8" MNPT X 3/8" BARB, BRASS       | 2    |
| 23   | 21-4085  | VAC SCREEN                          | 1    | 50   | M-5463K116  | WYE, 3/8", NYLON                          | 1    |
| 24   | 21-7060  | VAC BOX                             | 1    | 51   | M-90130A029 | .25" NEOPRENE WASHER                      | 4    |
| 25   | 253-0111 | SQUEEGEE HOSE                       | 1    | 52   | M-95412A562 | FTS 1/4" - 20 X 5" SS                     | 3    |
| 26   | 253-1040 | TANK STRAP SUPPORT                  | 1    | 53   | T-038R1700  | ELBOW TO WYE - HOSE                       | 1    |
| 27   | 253-1240 | CLIP                                | 1    |      |             |   |      |



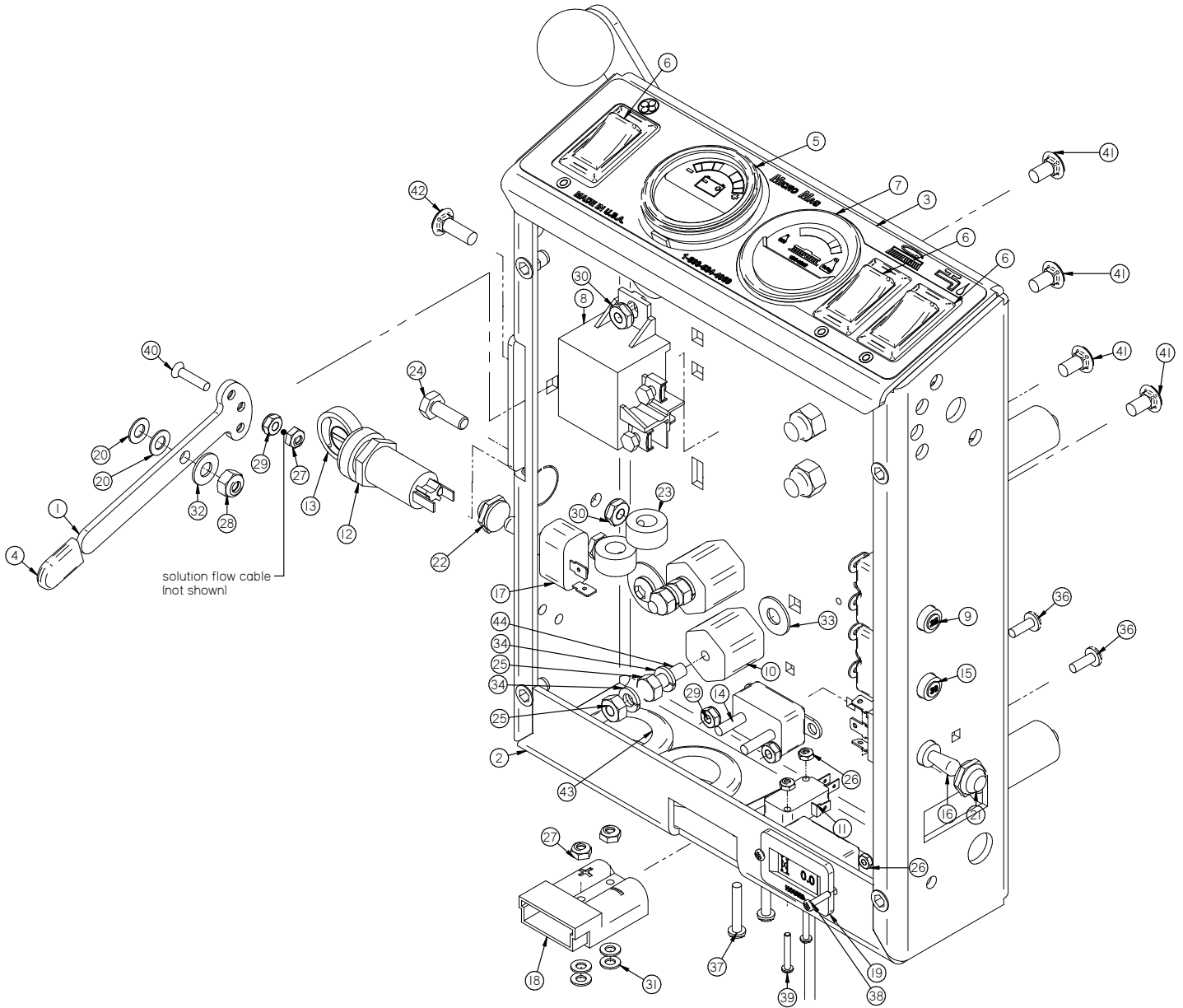
Clear Dome Lid Assembly



TANK LID ASSEMBLY 150-1410D

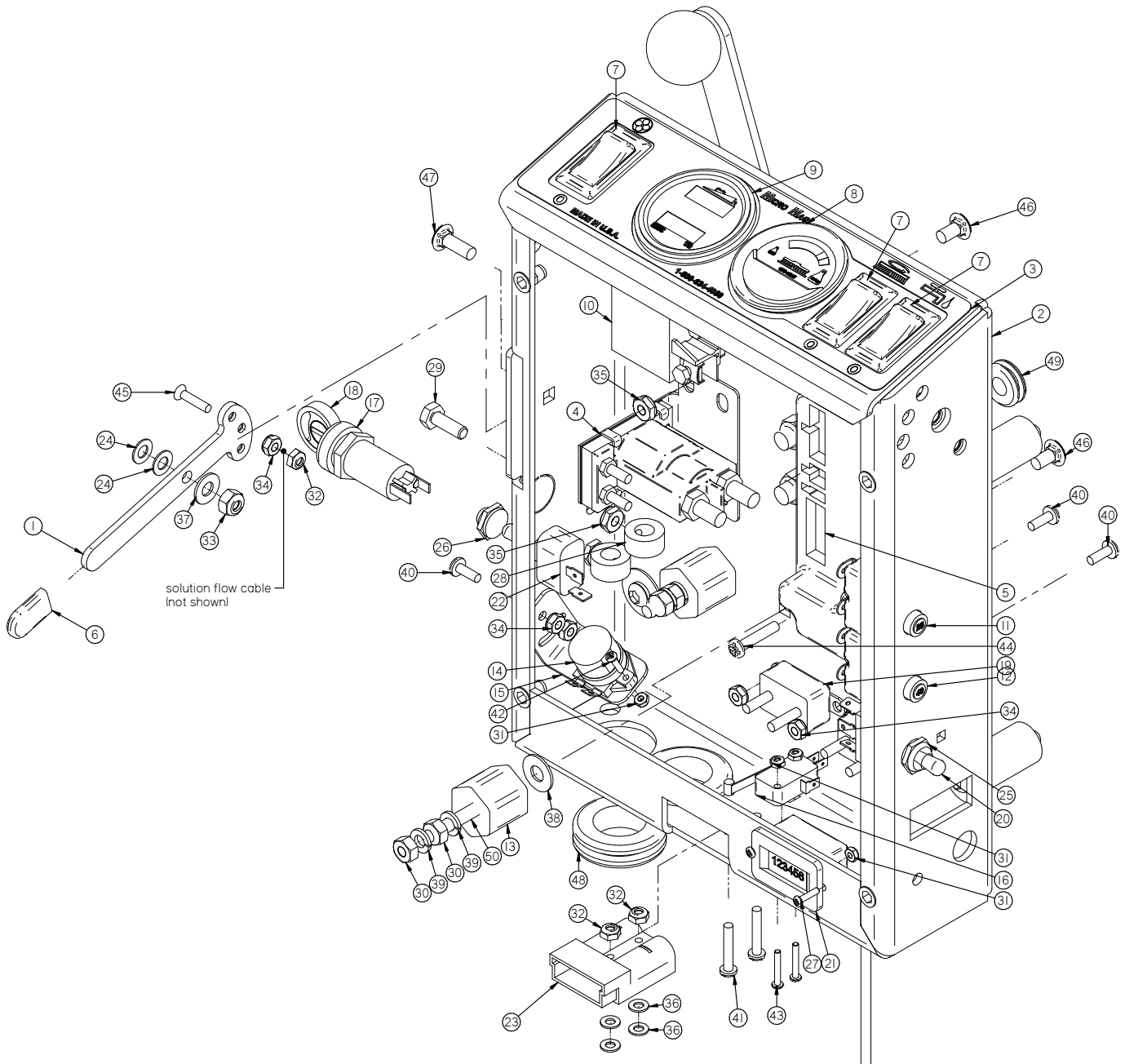


| Item | Part No.  | Part Description                           | Qty. |
|------|-----------|--|------|
| 1    | 150-1075  | PUSH-ON RUBBER GASKET                      | 1    |
| 2    | 150-1410  | VAC FORMED SMOKED COVER                    | 1    |
| 3    | 175-1412  | TANK LID STRAP W/GROMMETS                  | 2    |
| 4    | H-0129155 | JNYL #10-32, 18-8 S/S                      | 2    |
| 5    | H-72534   | PPH #10-32 X 3/4" S/S                      | 2    |
| 6    | H-72916   | PPH SMS #8 X 3/4" SS                       | 2    |
| 7    | H-90133   | .170 ID X .50 OD X .093 TH NEOPRENE WASHER | 4    |



| Item | Part No. | Part Description                        | Qty. | Item | Part No.    | Part Description                  | Qty. |
|------|----------|---|------|------|-------------|-----------------------------------|------|
| 1    | 150-2003 | VALVE LEVER                             | 1    | 23   | H-33372     | SHAFT COLLAR, 3/8" ID             | 2    |
| 2    | 150-2010 | CONTROL BOX                             | 1    | 24   | H-70003     | HCS 1/4"-20 X 3/4" SS             | 2    |
| 3    | 150-2013 | CONTROL PANEL STICKER                   | 1    | 25   | H-70710     | HN 1/4"- 20 SS                    | 4    |
| 4    | 150-4480 | HANDLE GRIP (BLUE)                      | 1    | 26   | H-70854     | NYLOK #4-40 SS                    | 3    |
| 5    | 150-4855 | METER BATTERY, 24V                      | 1    | 27   | H-70856     | NYLOK #8-32 SS                    | 3    |
| 6    | 170-2340 | SWITCH, ROCKER, DPDT, ON/ON             | 3    | 28   | H-70860     | NYLOK 1/4"- 20 SS                 | 1    |
| 7    | 190-4852 | BRUSH PRESSURE GAUGE, 40 AMP            | 1    | 29   | H-70922     | KN #8-32                          | 3    |
| 8    | 190-8283 | RELAY, 24V, 50 AMP                      | 1    | 30   | H-70925     | KN 1/4-20 S/S                     | 3    |
| 9    | 190-8370 | FUSE RESETTABLE - 25 AMP                | 1    | 31   | H-71007     | FW #8 SS                          | 4    |
| 10   | 200-1011 | SWITCHBOARD INSULATOR                   | 2    | 32   | H-71013     | FW 1/4 ID X 5/8 OD SS             | 1    |
| 11   | 21-2230  | MICRO SWITCH                            | 1    | 33   | H-71015     | FW 5/16 ID X 3/4 OD SS            | 2    |
| 12   | 290-234  | KEY SWITCH (WITH KEY)                   | 1    | 34   | H-71063     | LW 1/4" SS                        | 4    |
| 13   | 290-234A | KEY SET (REPLACE)                       | 1    | 35   | H-71212     | FNW 1/4 ID X 1.0 OD SS            | 1    |
| 14   | 290-2815 | CIR. BREAKER - 15A, 24V                 | 1    | 36   | H-72398     | PPH #8-32 X 1/2" S/S              | 2    |
| 15   | 290-9609 | FUSE, RESETTABLE, 30 AMP                | 1    | 37   | H-72418     | PPH #8-32 X 1" S/S                | 2    |
| 16   | 370-2830 | SWITCH, TOGGLE, MOM/OFF/MOM (DPDT)      | 1    | 38   | H-72486     | PPH #4-40 X 1/2" S/S              | 2    |
| 17   | 370-8920 | TOGGLE, ON-OFF SPST                     | 1    | 39   | H-72490     | PPH #4-40 X 3/4" S/S              | 2    |
| 18   | 4-259    | CONNECTOR, RED 50, HOUSING ONLY         | 1    | 40   | H-72644     | FHP #8-32 X 3/4"                  | 1    |
| 19   | 8-262    | HOUR METER                              | 1    | 41   | H-74417     | CB 1/4"- 20 X .5" SS              | 4    |
| 20   | H-00282  | FW 1/4" NYLON                           | 2    | 42   | H-74419     | CB 1/4"- 20 X .75" SS             | 1    |
| 21   | H-11199  | PROTECTIVE BOOT, TOGGLE SWITCH, (BLUE)  | 1    | 43   | H-9307K74   | GROMMET, 1" ID X 1-3/4" OD BUNA-N | 2    |
| 22   | H-11200  | PROTECTIVE BOOT, TOGGLE SWITCH, (BLACK) | 1    | 44   | M-95412A544 | STUD 1/4-20 X 1-1/4" SS           | 2    |

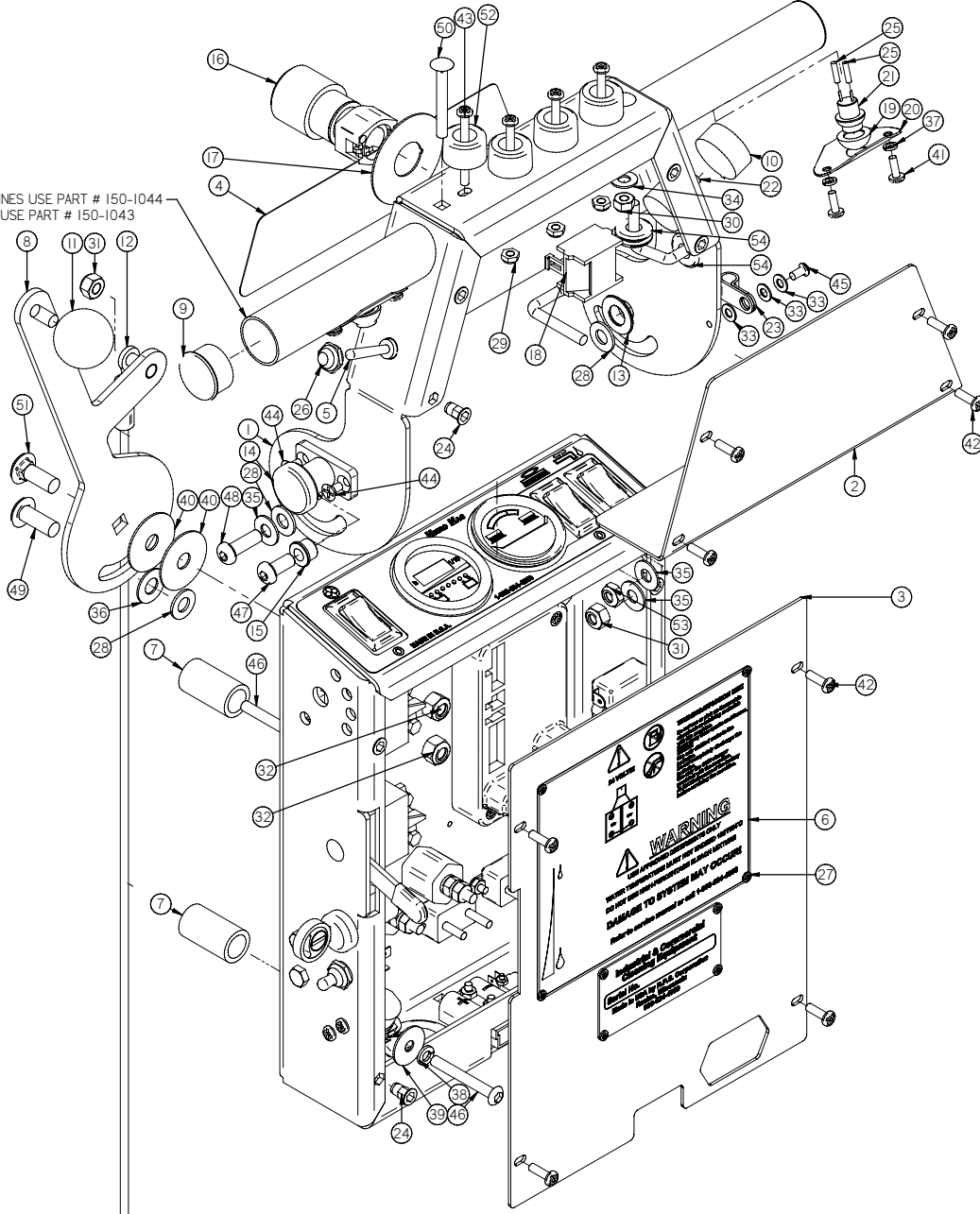
Central Command - Traction



| Item | Part No. | Part Description                       | Qty. | Item | Part No.    | Part Description                        | Qty. |
|------|----------|--|------|------|-------------|---|------|
| 1    | 150-2003 | VALVE LEVER                            | 1    | 26   | H-11200     | PROTECTIVE BOOT, TOGGLE SWITCH, (BLACK) | 1    |
| 2    | 150-2010 | CONTROL BOX                            | 1    | 27   | H-28679     | PPH #4-40 X 1/2"                        | 1    |
| 3    | 150-2013 | CONTROL PANEL STICKER                  | 1    | 28   | H-33372     | SHAFT COLLAR, 3/8" ID                   | 2    |
| 4    | 150-2331 | RELAY, 24V, SMALL W/FLAT MTG PLATE     | 1    | 29   | H-70003     | HCS 1/4"-20 X 3/4" SS                   | 2    |
| 5    | 150-2899 | IDRIVE 24V/36V, 70 AMP CONTROLLER      | 1    | 30   | H-70710     | HN 1/4"- 20 SS                          | 4    |
| 6    | 150-4480 | HANDLE GRIP (BLUE)                     | 1    | 31   | H-70854     | NYLOK #4-40 SS                          | 5    |
| 7    | 170-2340 | SWITCH, ROCKER, DPDT, ON/ON            | 3    | 32   | H-70856     | NYLOK #8-32 SS                          | 3    |
| 8    | 190-4852 | BRUSH PRESSURE GAUGE, 40 AMP           | 1    | 33   | H-70860     | NYLOK 1/4"- 20 SS                       | 1    |
| 9    | 190-4855 | 24V BATTERY AND HOUR METER             | 1    | 34   | H-70922     | KN #8-32                                | 7    |
| 10   | 190-8283 | RELAY, 24V, 50 AMP                     | 1    | 35   | H-70925     | KN 1/4-20 S/S                           | 6    |
| 11   | 190-8370 | FUSE, RESETTABLE, 25 AMP               | 1    | 36   | H-71007     | FW #8 SS                                | 4    |
| 12   | 190-9609 | FUSE, RESETTABLE, 40 AMP               | 1    | 37   | H-71013     | FW 1/4 ID X 5/8 OD SS                   | 1    |
| 13   | 200-1011 | SWITCHBOARD INSULATOR                  | 1    | 38   | H-71015     | FW 5/16 ID X 3/4 OD SS                  | 2    |
| 14   | 200-1015 | TILT SWITCH                            | 1    | 39   | H-71063     | LW 1/4" SS                              | 8    |
| 15   | 200-1016 | TILT SWITCH BRACKET                    | 1    | 40   | H-72398     | PPH #8-32 X 1/2" S/S                    | 6    |
| 16   | 21-2230  | MICRO SWITCH                           | 1    | 41   | H-72418     | PPH #8-32 X 1" S/S                      | 2    |
| 17   | 290-234  | KEY SWITCH (WITH KEY)                  | 1    | 42   | H-72486     | PPH #4-40 X 1/2" S/S                    | 2    |
| 18   | 290-234A | KEY SET (REPLACE)                      | 1    | 43   | H-72490     | PPH #4-40 X 3/4" S/S                    | 2    |
| 19   | 290-2815 | CIR. BREAKER - 15A, 24V                | 1    | 44   | H-72536     | PPH #10-32 X 1" S/S                     | 2    |
| 20   | 370-2830 | SWITCH, TOGGLE, MOM/OFF/MOM (DPDT)     | 1    | 45   | H-72644     | FHP #8-32 X 3/4"                        | 1    |
| 21   | 370-8261 | CHARGER COUNTER                        | 1    | 46   | H-74417     | CB 1/4"- 20 X .5" SS                    | 6    |
| 22   | 370-8920 | TOGGLE, ON-OFF SPST                    | 1    | 47   | H-74419     | CB 1/4"- 20 X .75" SS                   | 1    |
| 23   | 4-259    | CONNECTOR, RED 50, HOUSING ONLY        | 1    | 48   | H-9307K74   | GROMMET, 1" ID X 1-3/4" OD BUNA-N       | 2    |
| 24   | H-00282  | FW 1/4" NYLON                          | 2    | 49   | M-9307K23   | GROMMET, 3/8 ID X 7/8 OD X 1/8 TH.      | 1    |
| 25   | H-11199  | PROTECTIVE BOOT, TOGGLE SWITCH, (BLUE) | 1    | 50   | M-95412A544 | STUD 1/4-20 X 1-1/4" SS                 | 2    |

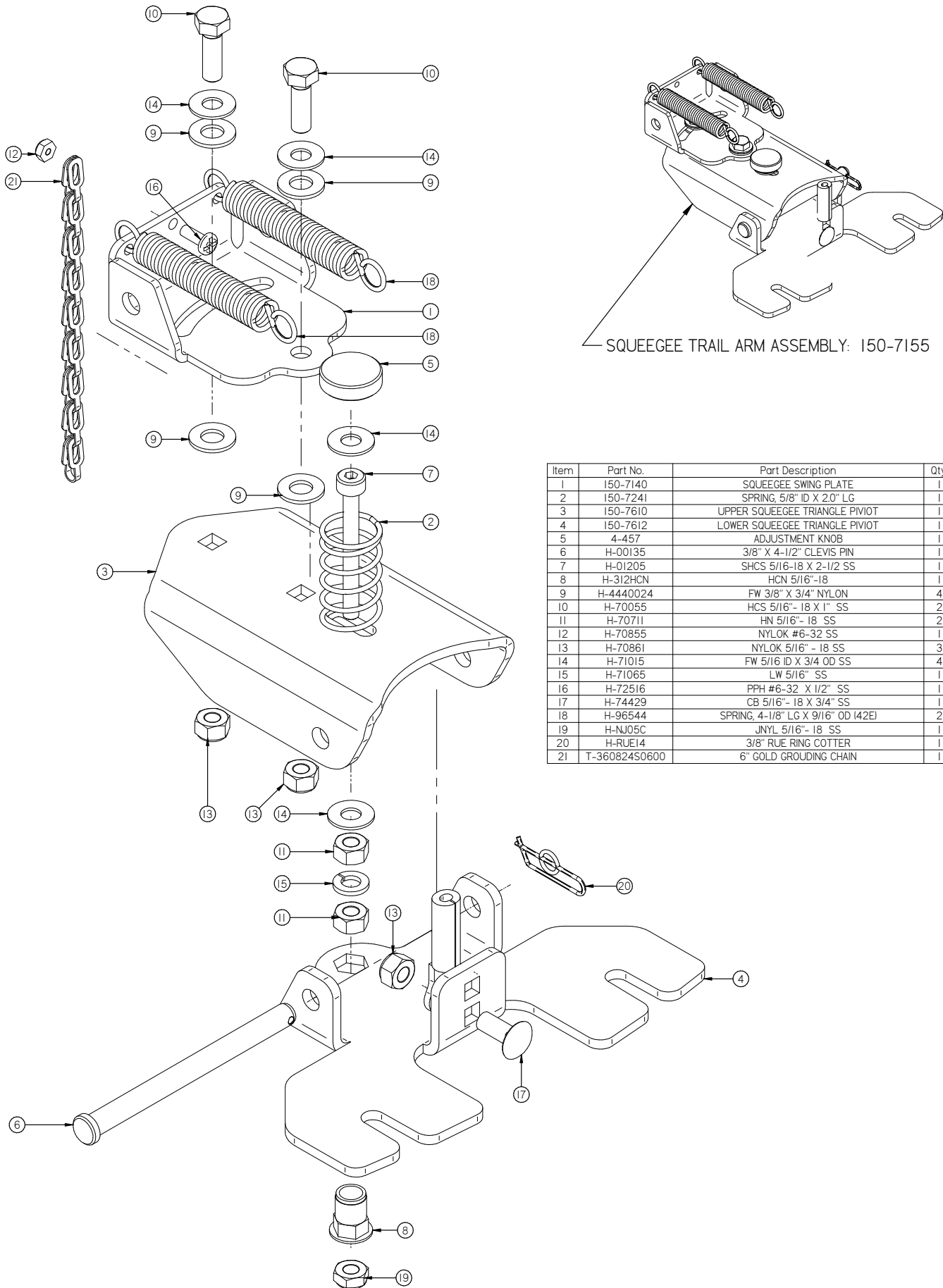
## Handlebar and Squeegee Lift Arm Assembly

FOR TRACTION DRIVE MACHINES USE PART # 150-1044  
FOR PAD ASSIST MACHINES USE PART # 150-1043

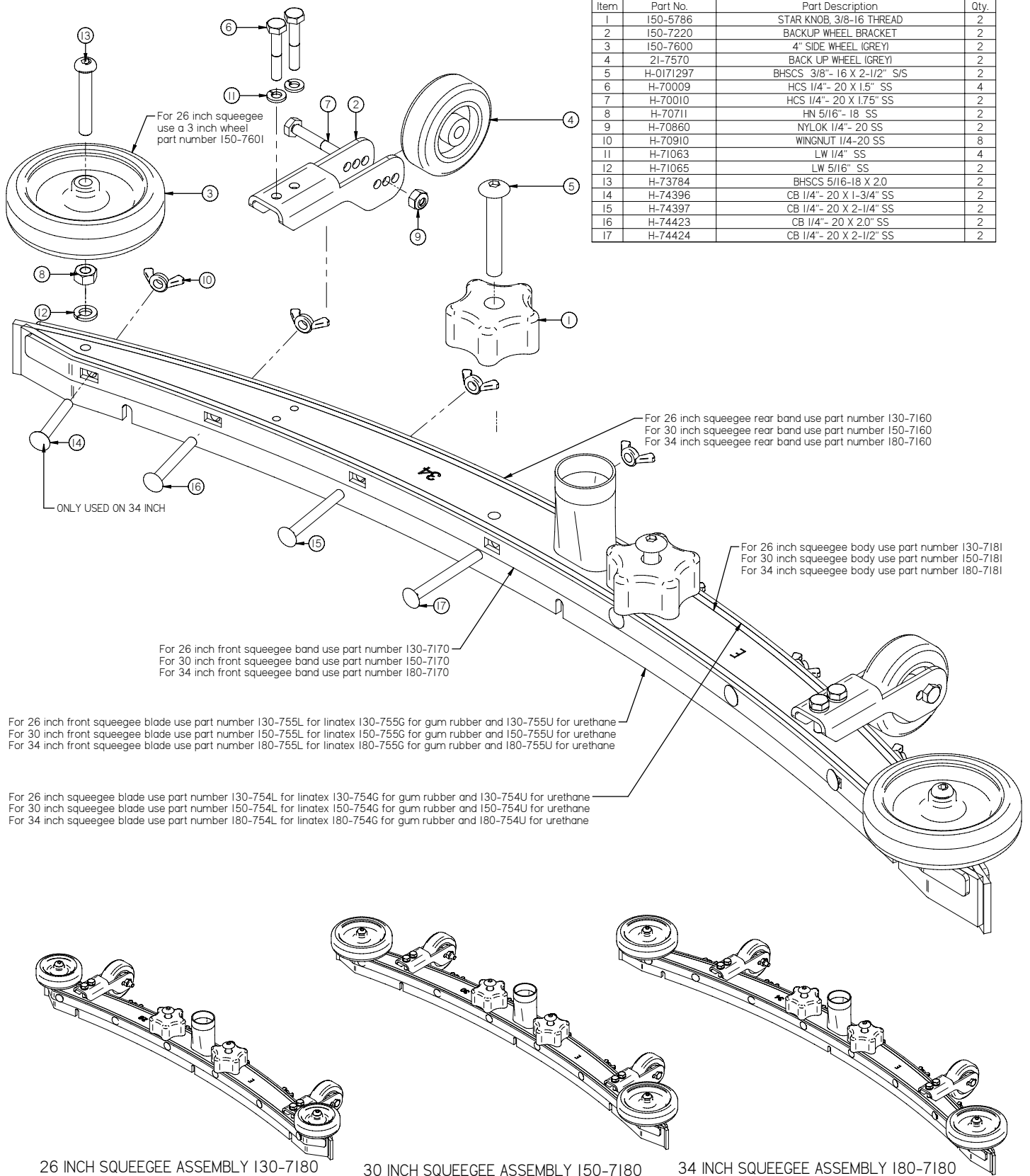


| Item | Part No. | Part Description                                    | Qty. | Item | Part No.  | Part Description                   | Qty. |
|------|----------|---|------|------|-----------|------------------------------------|------|
| 1    | 150-1040 | ADJUSTABLE HANDLE BAR HOLDER                        | 1    | 28   | H-4440024 | FW 3/8" X 3/4" NYLON               | 5    |
| 2    | 150-1042 | HANDEL BAR COVER                                    | 1    | 29   | H-70858   | NYLOK #10-32 SS                    | 4    |
| 3    | 150-2000 | TRACTION CONTROL PANEL COVER                        | 1    | 30   | H-70860   | NYLOK 1/4" - 20 SS                 | 1    |
| 4    | 150-2016 | MICRO MAG STICKER                                   | 1    | 31   | H-70861   | NYLOK 5/16" - 18 SS                | 3    |
| 5    | 150-2830 | SWITCH, TOGGLE, MOM/OFF/MOM (DPDT)                  | 1    | 32   | H-70862   | NYLOK 3/8"-16 SS                   | 2    |
| 6    | 150-7281 | EXPLOSION WARNING PLATE                             | 1    | 33   | H-71009   | FW #10 SS                          | 3    |
| 7    | 170-2700 | SPACER, 1-1/2" LG                                   | 4    | 34   | H-71013   | FW 1/4 ID X 5/8 OD SS              | 2    |
| 8    | 170-7100 | SQUEEGEE LIFT LEVER                                 | 1    | 35   | H-71015   | FW 5/16 ID X 3/4 OD SS             | 6    |
| 9    | 190-1390 | END CAP   | 1    | 36   | H-71017   | FW 3/8 ID X 7/8 OD SS              | 1    |
| 10   | 21-4520  | SPEED CONTROL KNOB, RED                             | 1    | 37   | H-71057   | LW #8, SS                          | 4    |
| 11   | 21-7101  | LIFT KNOB   | 1    | 38   | H-71063   | LW 1/4" SS                         | 1    |
| 12   | 253-7891 | SQUEEGEE LIFT CABLE, 30"                            | 1    | 39   | H-71212   | FNW 1/4 ID X 1.0 OD SS             | 1    |
| 13   | 290-1247 | BRONZE THRUST BEARING, .50" ID X 1.0" OD X 1/16" TH | 2    | 40   | H-71217   | FNW 3/8 ID X 1-1/2 OD SS           | 2    |
| 14   | 290-7050 | INDEX PLUNGER                                       | 1    | 41   | H-72398   | PPH #8-32 X 1/2" S/S               | 4    |
| 15   | 370-1245 | BUSHING   | 2    | 42   | H-72517   | PPH #10-32 X 5/8" SS               | 5    |
| 16   | 5-300    | EMERGENCY SHUT OFF                                  | 1    | 43   | H-72566   | PPH #10-32 X 2" SS                 | 4    |
| 17   | 5-301    | EMERGENCY LEGEND PLATE                              | 1    | 44   | H-72681   | FHP #10-32 X 3/8" SS               | 2    |
| 18   | 5-302    | EMERGENCY CONTACT BLACK                             | 1    | 45   | H-73742   | BHSCS 10-32 X 3/8" SS              | 1    |
| 19   | 7-227    | BUTTON COVER  | 2    | 46   | H-73759   | BHSCS 1/4 - 20 X 2.0" SS           | 4    |
| 20   | 7-228    | SWITCH MOUNT PLATE                                  | 2    | 47   | H-73779   | BHSCS 5/16-18 X 3/4"               | 2    |
| 21   | 7-229D   | PUSH BUTTON SWITCH                                  | 2    | 48   | H-73780   | BHSCS 5/16-18 X 1"                 | 2    |
| 22   | 7-292    | 5K POTENTIOMETER                                    | 1    | 49   | H-73815   | BHSCS 3/8" - 16 X 1" SS            | 1    |
| 23   | H-02239  | 3/8" VINYL LOOP CLAMP                               | 1    | 50   | H-74423   | CB 1/4" - 20 X 2.0" SS             | 2    |
| 24   | H-02309  | HCN #10-32, LG CRIMP                                | 8    | 51   | H-74436   | CB 3/8" - 16 X 1.0" SS             | 1    |
| 25   | H-108    | HEAT SHRINK   | 4    | 52   | H-9540    | RUBBER BUMPER, 25/32"              | 4    |
| 26   | H-11196  | PROTECTIVE BOOT, TOGGLE SWITCH, (RED)               | 1    | 53   | H-NJ05C   | JNYL 5/16" - 18 SS                 | 2    |
| 27   | H-41007  | AB4-3A BLIND RIVET                                  | 8    | 54   | M-9307K23 | GROMMET, 3/8 ID X 7/8 OD X 1/8 TH. | 2    |

## Squeegee Drag Link Assembly

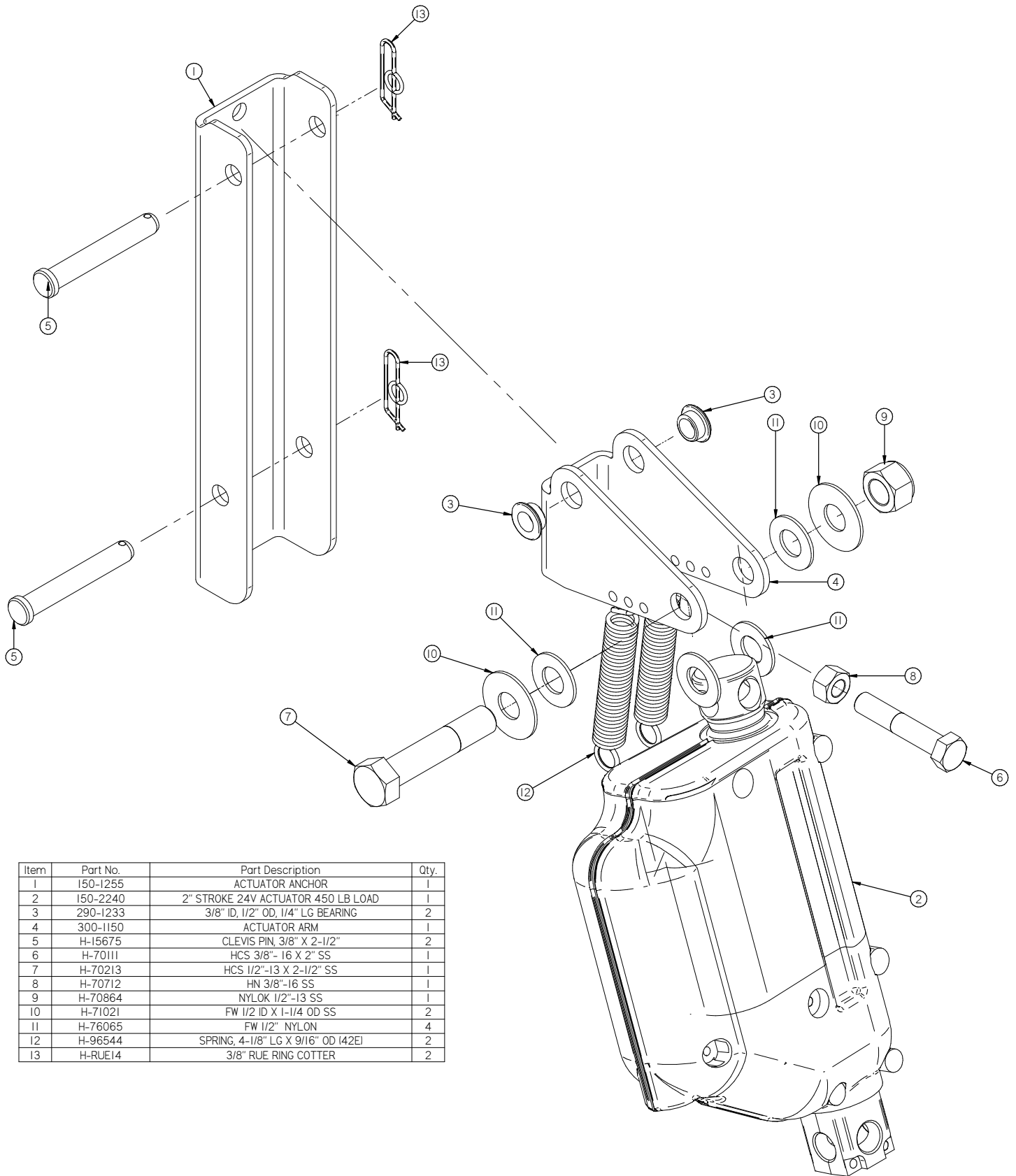


| Item | Part No.      | Part Description                   | Qty. |
|------|---------------|------------------------------------|------|
| 1    | 150-7140      | SQUEEGEE SWING PLATE               | 1    |
| 2    | 150-7241      | SPRING, 5/8" ID X 2.0" LG          | 1    |
| 3    | 150-7610      | UPPER SQUEEGEE TRIANGLE PIVOT      | 1    |
| 4    | 150-7612      | LOWER SQUEEGEE TRIANGLE PIVOT      | 1    |
| 5    | 4-457         | ADJUSTMENT KNOB                    | 1    |
| 6    | H-00135       | 3/8" X 4-1/2" CLEVIS PIN           | 1    |
| 7    | H-01205       | SHCS 5/16-18 X 2-1/2 SS            | 1    |
| 8    | H-312HCN      | HCN 5/16"-18                       | 1    |
| 9    | H-4440024     | FW 3/8" X 3/4" NYLON               | 4    |
| 10   | H-70055       | HCS 5/16"- 18 X 1" SS              | 2    |
| 11   | H-70711       | HN 5/16"- 18 SS                    | 2    |
| 12   | H-70855       | NYLOK #6-32 SS                     | 1    |
| 13   | H-70861       | NYLOK 5/16" - 18 SS                | 3    |
| 14   | H-71015       | FW 5/16 ID X 3/4 OD SS             | 4    |
| 15   | H-71065       | LW 5/16" SS                        | 1    |
| 16   | H-72516       | PPH #6-32 X 1/2" SS                | 1    |
| 17   | H-74429       | CB 5/16"- 18 X 3/4" SS             | 1    |
| 18   | H-96544       | SPRING, 4-1/8" LG X 9/16" OD I42EJ | 2    |
| 19   | H-NJ05C       | JNYL 5/16"- 18 SS                  | 1    |
| 20   | H-RUE14       | 3/8" RUE RING COTTER               | 1    |
| 21   | T-360824S0600 | 6" GOLD GRADING CHAIN              | 1    |



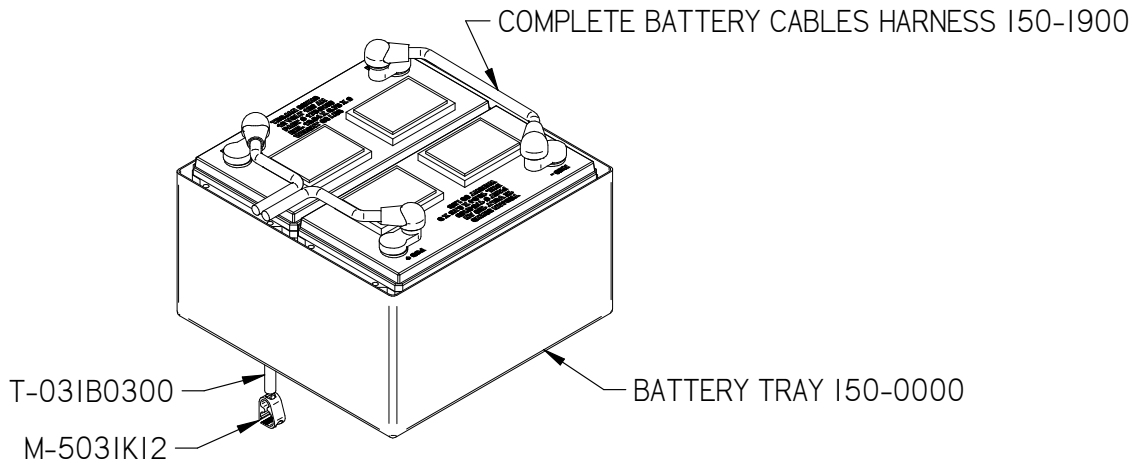
| Item | Part No.  | Part Description            | Qty. |
|------|-----------|-----------------------------|------|
| 1    | 150-5786  | STAR KNOB, 3/8-16 THREAD    | 2    |
| 2    | 150-7220  | BACKUP WHEEL BRACKET        | 2    |
| 3    | 150-7600  | 4" SIDE WHEEL (GREY)        | 2    |
| 4    | 21-7570   | BACK UP WHEEL (GREY)        | 2    |
| 5    | H-0171297 | BHSCS 3/8"- 16 X 2-1/2" S/S | 2    |
| 6    | H-70009   | HCS 1/4"- 20 X 1.5" SS      | 4    |
| 7    | H-70010   | HCS 1/4"- 20 X 1.75" SS     | 2    |
| 8    | H-70711   | HN 5/16"- 18 SS             | 2    |
| 9    | H-70860   | NYLOK 1/4"- 20 SS           | 2    |
| 10   | H-70910   | WINGNUT 1/4-20 SS           | 8    |
| 11   | H-71063   | LW 1/4" SS                  | 4    |
| 12   | H-71065   | LW 5/16" SS                 | 2    |
| 13   | H-73784   | BHSCS 5/16-18 X 2.0         | 2    |
| 14   | H-74396   | CB 1/4"- 20 X 1-3/4" SS     | 2    |
| 15   | H-74397   | CB 1/4"- 20 X 2-1/4" SS     | 2    |
| 16   | H-74423   | CB 1/4"- 20 X 2.0" SS       | 2    |
| 17   | H-74424   | CB 1/4"- 20 X 2-1/2" SS     | 2    |

Actuator Lift Assembly

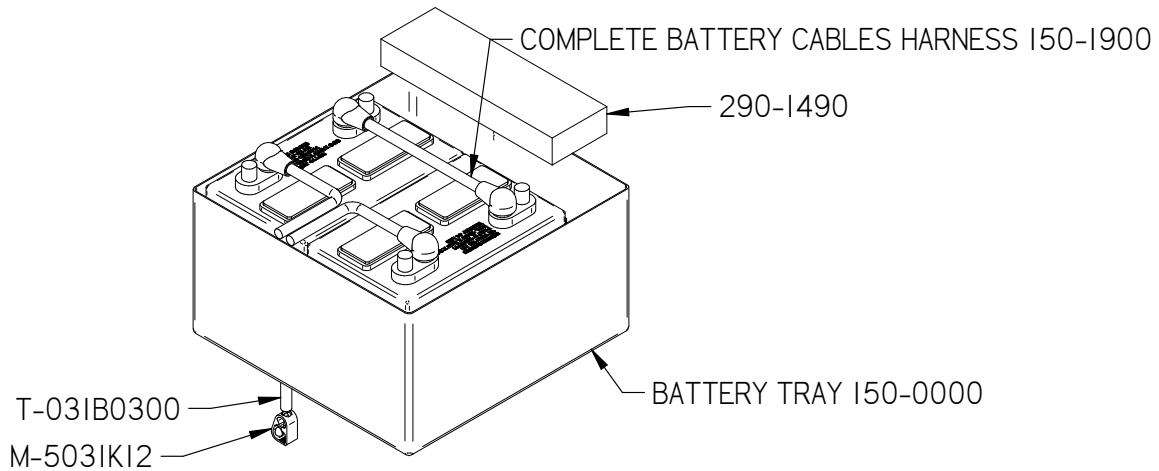


| Item | Part No. | Part Description                   | Qty. |
|------|----------|------------------------------------|------|
| 1    | 150-1255 | ACTUATOR ANCHOR                    | 1    |
| 2    | 150-2240 | 2" STROKE 24V ACTUATOR 450 LB LOAD | 1    |
| 3    | 290-1233 | 3/8" ID, 1/2" OD, 1/4" LG BEARING  | 2    |
| 4    | 300-1150 | ACTUATOR ARM                       | 1    |
| 5    | H-15675  | CLEVIS PIN, 3/8" X 2-1/2"          | 2    |
| 6    | H-70111  | HCS 3/8" - 16 X 2" SS              | 1    |
| 7    | H-70213  | HCS 1/2"-13 X 2-1/2" SS            | 1    |
| 8    | H-70712  | HN 3/8"-16 SS                      | 1    |
| 9    | H-70864  | NYLOK 1/2"-13 SS                   | 1    |
| 10   | H-71021  | FW 1/2 ID X 1-1/4 OD SS            | 2    |
| 11   | H-76065  | FW 1/2" NYLON                      | 4    |
| 12   | H-96544  | SPRING, 4-1/8" LG X 9/16" OD (42E) | 2    |
| 13   | H-RUE14  | 3/8" RUE RING COTTER               | 2    |

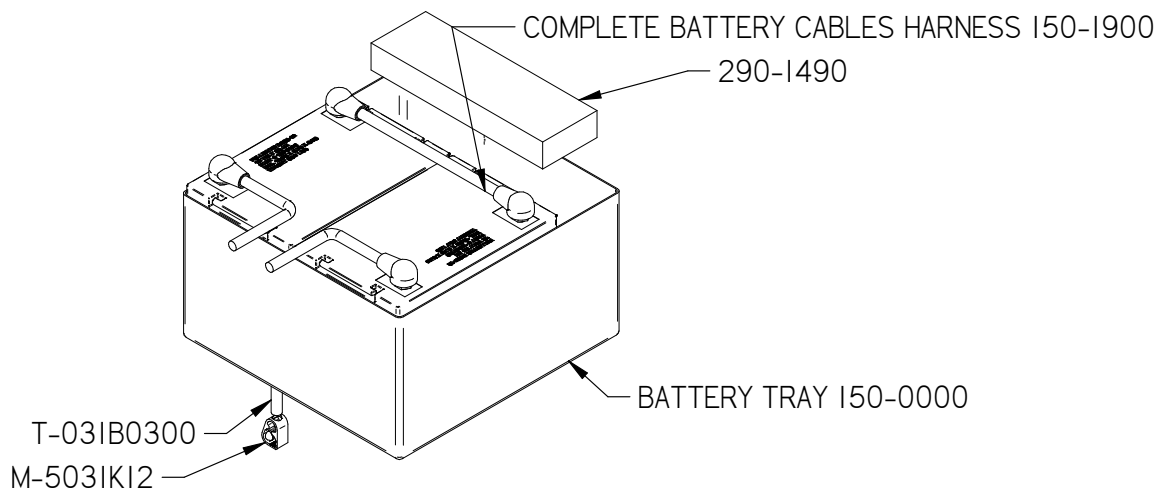
## 130 AH TROJANS I70-2109 USE CHARGER I50-2440



## 85 AH TROJANS I50-2109 USE CHARGER I50-2440



## 85 AH AGM I50-2120 USE CHARGER I70-2440





## Common Wear Parts

**ROUND DISK BRUSHES FOR SERIAL # 89939 AND BELOW:**

| BRUSHES              | MODEL 17"<br>DISK | MODEL 20"<br>DISK |
|----------------------|-------------------|-------------------|
| Super Grit           | 17-421SS          | 20-421SS          |
| Tough Grit           | 17-421S           | 20-421S           |
| Midi Grit            | 17-421C           | 20-421C           |
| Light Grit           | 17-421PS          | 20-421PS          |
| Poly (.028)          | 17-421P           | 20-421P           |
| Nylon (.016)         | 17-421N           | 20-421N           |
| Tampico              | 17-421T           | 20-421T           |
| Pad Driver           | 17-421D           | 20-421D           |
| Diamond Driver       | 17-421DD          | 20-421DD          |
| Pad Retainer #40-434 |                   |                   |

**ROUND DISK BRUSHES FOR SERIAL # 89940 AND ABOVE:**

| BRUSHES              | MODEL 17"<br>DISK | MODEL 20"<br>DISK |
|----------------------|-------------------|-------------------|
| Super Grit           | 17-382SS          | 20-382SS          |
| Tough Grit           | 17-382S           | 20-382S           |
| Midi Grit            | 17-382C           | 20-382C           |
| Light Grit           | 17-382PS          | 20-382PS          |
| Poly (.028)          | 17-382P           | 20-382P           |
| Nylon (.016)         | 17-382N           | 20-382N           |
| Tampico              | 17-382T           | 20-382T           |
| Pad Driver           | 17-382D           | 20-382D           |
| Diamond Driver       | 17-382DD          | 20-382DD          |
| Pad Retainer #40-434 |                   |                   |

**ROUND DISK PADS:****NOTICE**

The ## in Disk Column Denotes Desk Pad Size: 17" or 20"

| DISK PADS   | DISK     | LEVEL     | COLOR |
|-------------|----------|-----------|-------|
| Super Black | ##-422BB | Very High | Black |
| Black       | ##-422B  | High      | Black |
| Brown       | ##-422BR | High      | Brown |
| Green       | ##-422G  | Medium    | Green |
| Blue        | ##-422BL | Moderate  | Blue  |
| Red         | ##-422R  | Moderate  | Red   |
| White       | ##-422W  | Light     | White |

**EDGE PADS AND SCREENS:**

| DESCRIPTION                     | 24"×14"   | 20"×14"   | 13"×19"   |
|---------------------------------|-----------|-----------|-----------|
|                                 | SCRUBDECK | SCRUBDECK |           |
| White Pad                       | N/A       | EDGE-4005 | N/A       |
| Red Pad                         | EDGE-2404 | EDGE-4004 | N/A       |
| Blue Pad                        | EDGE-2403 | EDGE-4003 | N/A       |
| Green Pad                       | EDGE-2402 | EDGE-4002 | N/A       |
| Black Pad                       | EDGE-2401 | EDGE-4001 | N/A       |
| White Driver Pad                | N/A       | EDGE-4025 | EDGE-4019 |
| 60 Grit Sand Screen             | N/A       | EDGE-4026 | EDGE-4020 |
| 80 Grit Sand Screen             | N/A       | EDGE-4027 | EDGE-4021 |
| 100 Grit Sand Screen            | N/A       | EDGE-4028 | EDGE-4022 |
| 120 Grit Sand Screen            | N/A       | EDGE-4029 | EDGE-4023 |
| 150 Grit Sand Screen            | N/A       | EDGE-4030 | EDGE-4024 |
| 20 Grit Sand Paper              | N/A       | EDGE-4031 | N/A       |
| 36 Grit Sand Paper              | N/A       | EDGE-4032 | N/A       |
| 60 Grit Sand Paper              | N/A       | EDGE-4033 | N/A       |
| 80 Grit Sand Paper              | N/A       | EDGE-4034 | N/A       |
| 100 Grit Sand Paper             | N/A       | EDGE-4035 | N/A       |
| 100 Grit Diamond Polishing Pad  | N/A       | EDGE-4012 | N/A       |
| 400 Grit Diamond Polishing Pad  | N/A       | EDGE-4013 | N/A       |
| 800 Grit Diamond Polishing Pad  | N/A       | EDGE-4014 | N/A       |
| 1500 Grit Diamond Polishing Pad | N/A       | EDGE-4015 | N/A       |
| 3000 Grit Diamond Polishing Pad | N/A       | EDGE-4016 | N/A       |
| 6000 Grit Diamond Polishing Pad | N/A       | EDGE-4070 | N/A       |
| Tile/Grout Renovator Pad        | N/A       | EDGE-4018 | N/A       |
| Microfiber Pad                  | N/A       | EDGE-4036 | N/A       |
| Abrader Plate                   | N/A       | N/A       | EDGE-4011 |
| Dominator HD Strip Pad          | N/A       | EDGE-4006 | N/A       |
| Maroon ECO Prep Pad             | EDGE-2407 | EDGE-4007 | N/A       |
| Remover Burnishing Pad          | N/A       | EDGE-4008 | N/A       |
| Porko Burnishing Pad            | N/A       | EDGE-4017 | N/A       |
| Velcro Pad                      | N/A       | 300-4023  | N/A       |

**EDGE GRIP FACE:**

| DESCRIPTION              | PART#      |
|--------------------------|------------|
| 20" Velcro Grip Face     | 300-1037   |
| 24" Velcro Grip Face     | 300-1038   |
| 20" Mighty Lok Grip Face | 300-01037Z |

## Common Wear Parts

**SQUEEGEE BLADE KITS & COMPLETE SQUEEGEE ASSEMBLIES:**

| <b>SQUEEGEE<br/>SIZE</b> | <b>MODEL 24"<br/>EDGE</b> | <b>GUM RUBBER<br/>BLADE KIT</b> | <b>LINATEX BLADE<br/>KIT</b> | <b>COMPLETE<br/>SQUEEGEE<br/>ASSEMBLIES</b> |
|--------------------------|---------------------------|---------------------------------|------------------------------|---|
| 26" Squeegee             | Optional                  | 130-770G                        | 130-770L                     | 130-7180                                    |
| 30" Squeegee             | Optional                  | 150-770G                        | 150-770L                     | 150-7180                                    |
| 34" Squeegee             | Standard                  | 180-770G                        | 180-770L                     | 180-7180                                    |

**NOTICE**

Squeegee blade kits include (1) Rear Blade, (1) Front Blade, and (2) Backup Wheels with hardware.

**NOTICE**

Squeegee Assemblies (complete) listed above all come with Linatex blades.

**NOTICE**

Size is stamped into the top of the painted steel squeegee body on all squeegee's.

**NOTICE**

The 26" squeegee is designed for narrow aisles and may not have the same water control around tight turns as the large squeegees.

**BLANK**

THIS PAGE WAS INTENTIONALLY LEFT BLANK

**BLANK**

THIS PAGE WAS INTENTIONALLY LEFT BLANK



1711 South Street  
Racine, WI 53404  
[www.rpscorporation.com](http://www.rpscorporation.com)  
Tel. US: 800-634-4060  
Tel. Int: (001) 262-681-3583