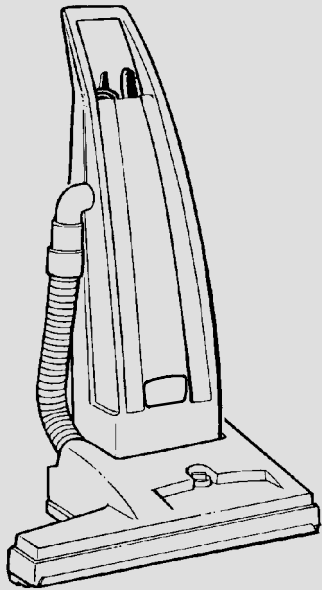




V-WA-26

V-WA-66

Dual Motor Vacuum
Aspiradora con dos Motores
Aspiradora avec deux Moteurs



Operator Manual (EN)
Manual del Operario (ES)
Manuel Opérateur (FR)

Model Part No.:

9007457 - V-WA-26 (120V)

9007465 - V-WA-66 (220V/60hz)

9007467 - V-WA-66 (230V)

9007463 - V-WA-66 (240V) EMC



www.tennantco.com

NOBLES

www.nobles.com

9007522
Rev. 00 (04-2010)



IMPORTANT SAFETY INSTRUCTIONS

When using an electrical appliance, basic precautions should always be followed, including the following:

READ ALL INSTRUCTIONS BEFORE USING (THIS APPLIANCE)

WARNING - To reduce the risk of fire, explosion, electric shock, or injury:

1. Do not leave appliance when plugged in. Unplug from outlet when not in use and before servicing.
2. Do not use outdoors or on wet surfaces.
3. Do not allow to be used as a toy. Close attention is necessary when used by or near children.
4. Use only as described in this manual. Use only manufacturer's recommended attachments.
5. Do not use with damaged cord or plug. If appliance is not working as it should, has been dropped, damaged, left outdoors, or dropped into water, return it to a service center.
6. Do not pull or carry by cord, use cord as a handle, close a door on cord, or pull cord around sharp edges or corners. Do not run appliance over cord. Keep cord away from heated surfaces.
7. Do not unplug by pulling on cord. To unplug, grasp the plug, not the cord.
8. Do not handle plug or appliance with wet hands.
9. Do not put any object into openings. Do not use with any opening blocked; keep free of dust, lint, hair, and anything that may reduce air flow.
10. Keep hair, loose clothing, fingers, and all parts of body away from openings and moving parts.
11. Do not pick up anything that is burning or smoking, such as cigarettes, matches, or hot ashes.
12. Do not use without dust bag and/or filters in place.
13. Turn off all controls before unplugging.
14. Use extra care when cleaning on stairs.
15. Do not use to pick up flammable or combustible liquids such as gasoline or use in areas where they may be present.

SAVE THESE INSTRUCTIONS

INSTRUCCIONES IMPORTANTES DE SEGURIDAD

Deben observarse siempre instrucciones básicas de seguridad al usar artefactos eléctricos incluyendo las siguientes:

LEER TODAS LAS INSTRUCCIONES DE SEGURIDAD ANTES DE USAR (ESTE ARTEFACTO)

⚠ ADVERTENCIA: Para reducir el riesgo de incendio, choque eléctrico o lesiones:

1. No dejar el artefacto desatendido cuando está enchufado. Desenchufar del tomacorrientes cuando no se usa y antes de prestar servicio.
2. No permitir que se use como un juguete. Se requiere mucha atención cuando se usa por o cerca de los niños.
3. Usar sólo según se describe en este manual. Usar sólo los aditamentos recomendados por el fabricante.
4. No usar con un cordón o enchufe dañados. Si el artefacto no está funcionando correctamente, se ha caído, está averiado, se ha dejado al aire libre, o se ha caído en el agua, devolverlo al centro de servicio.
5. No tirar de ni arrastrar por el cordón, no usar el cordón como un mango, no cerrar la puerta sobre el cordón ni tirar del cordón sobre bordes o esquinas aguzadas. No pasar el artefacto sobre el cordón. Mantener el cordón alejado de superficies calientes.
6. No desenchufar tirando del cordón. Para desenchufar, sujetar el enchufe, no el cordón.
7. No manejar el enchufe o el artefacto con las manos mojadas.
8. No colocar objetos en las aberturas. No usar con aberturas bloqueadas, mantener libre de polvo, pelusa, cabellos y todo lo que pueda reducir el flujo de aire.
9. Mantener el cabello, ropas holgadas, dedos, y todas las partes del cuerpo alejadas de las aberturas y piezas móviles.
10. Antes de desenchufar apagar todos los controles.
11. Ser muy precavido al limpiar sobre escaleras.
12. No usar para aspirar líquidos inflamables o combustibles tales como gasolina o usar en áreas donde puedan estar presentes.
13. No aspirar nada que se esté quemando o esté humeando tal como cigarrillos, fósforos o cenizas calientes.
15. No usar al aire libre ni sobre superficies mojadas.

MANTENER ESTE INSTRUCCIONES

CONSIGNES DE SÉCURITÉ IMPORTANTES

Lorsque vous utilisez un appareil électrique, des précautions de base doivent être respectées, parmi lesquelles:

LISEZ TOUTES LES INSTRUCTIONS AVANT D'UTILISER (CET APPAREIL)

⚠ ADVERTISSEMENT: Pour réduire les risques d'incendie, l'explosion, de choc électrique ou de blessure:

1. Ne pas laisser l'appareil sans surveillance lorsqu'il est branché. Débrancher lorsque l'appareil n'est pas utilisé et avant l'entretien.
2. Ne pas utiliser à l'extérieur et ne pas aspirer de matières humides.
3. Ne pas permettre aux enfants de jouer avec l'appareil. Une attention particulière est nécessaire lorsque l'appareil est utilisé par des enfants ou à proximité de ces derniers.
4. Utiliser que conformément à cette notice avec les accessoires recommandés par le fabricant.
5. Ne pas utiliser si le cordon ou la fiche est endommagé. Retourner l'appareil à un atelier de réparation s'il ne fonctionne pas bien, s'il est tombé ou s'il a été endommagé, oublié à l'extérieur ou immergé.
6. Ne pas tirer, soulever ou traîner l'appareil par le cordon. Ne pas utiliser le cordon comme une poignée, le coincer dans l'embrasure d'une porte ou l'appuyer contre des arêtes vives ou des coins. Ne pas faire rouler l'appareil sur le cordon. Garder le cordon à l'écart des surfaces chaudes.
7. Ne pas débrancher en tirant sur le cordon. Tirer plutôt la fiche.
8. Ne pas toucher la fiche ou l'appareil lorsque vos mains sont humides.
9. N'insérer aucun objet dans les ouvertures. Ne pas utiliser l'appareil lorsqu'une ouverture est bloquée. S'assurer que de la poussière, de la peluche, des cheveux ou d'autres matières ne réduisent pas le débit d'air.
10. Maintenir les cheveux, les vêtements amples, les doigts et toutes les parties du corps à l'écart des ouvertures et des pièces mobiles.
11. Ne pas aspirer de matières en combustion ou qui dégagent de la fumée, comme des cigarettes, des allumettes ou des dendres chaudes.
12. Ne pas utiliser l'appareil si le sac à poussière ou le filtre n'est pas en place.
13. Mettre toutes les commandes à la position ARRÊT avant de débrancher l'appareil.
14. User de prudence lors du nettoyage des escaliers.
15. Ne pas aspirer des liquides inflammables ou combustibles, comme de l'essence, et ne pas faire fonctionner dans des endroits où peuvent se trouver de tels liquides.

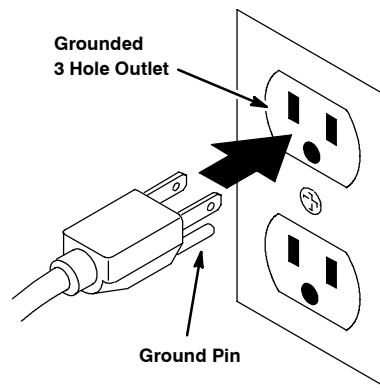
ÉCONOMISER CES INSTRUCTIONS

GROUNDING INSTRUCTIONS

This appliance must be grounded. If it should malfunction or breakdown, grounding provides a path of least resistance for electric current to reduce the risk of electric shock. This appliance is equipped with a cord having an equipment-grounding conductor and grounding plug. The plug must be plugged into an appropriate outlet that is properly installed and grounded in accordance with all local codes and ordinances.

⚠ WARNING - Improper connection of the equipment-grounding conductor can result in a risk of electric shock. Check with a qualified electrician or service person if you are in doubt as to whether the outlet is properly grounded. Do not modify the plug provided with the appliance - if it will not fit the outlet, have a proper outlet installed by a qualified electrician.

This appliance is for use on a nominal 120-volt circuit and has a grounding attachment plug that looks like the plug illustrated in sketch. Make sure that the appliance is connected to an outlet having the same configuration as the plug. No adaptor should be used with this appliance.

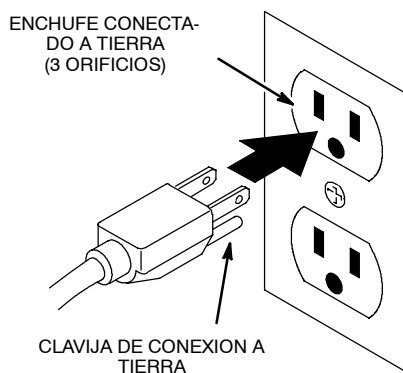


INSTRUCCIONES DE CONEXION A TIERRA

Este artefacto debe conectarse a tierra. Si funciona mal o se descompone, la conexión a tierra provee una trayectoria de menor resistencia para la corriente eléctrica, para reducir el riesgo de choque eléctrico. Este artefacto está provisto con un cordón que tiene un conductor de conexión a tierra del equipo y un enchufe de conexión a tierra. El enchufe debe enchufarse a un tomacorrientes apropiado que esté correctamente instalado y conectado a tierra de acuerdo con todos los códigos y ordenanzas locales.

⚠ ADVERTENCIA: La conexión incorrecta del conductor de conexión a tierra del equipo puede resultar en un riesgo de choque eléctrico. Consultar con un electricista calificado o persona de servicio si existen dudas acerca de si el tomacorrientes está correctamente conectado a tierra. No se debe modificar el enchufe provisto con el artefacto - si no se inserta en el tomacorrientes hacer que un electricista calificado instale un tomacorrientes correcto.

Este artefacto es para usar en un circuito nominal de 120 voltios y tiene un enchufe de aditamento para conectar a tierra que se parece al enchufe ilustrado en la figura. Asegurarse que el artefacto esté conectado a un tomacorrientes con la misma configuración que el enchufe. No se debe usar un adaptador con este artefacto.

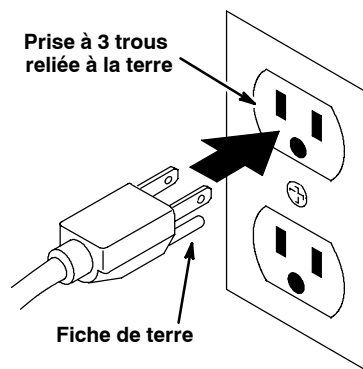


INSTRUCTIONS VISANT LA MISE 'A LA TERRE

Cet appareil doit être mis à la terre. En cas de défaillance ou de panne éventuelles, la mise à la terre fournit au courant un chemin de moindre résistance qui réduit le risque de choc électrique. Cet appareil est pourvu d'un cordon muni d'un conducteur de terre et d'une fiche avec broche de terre. La fiche doit être branchée dans une prise appropriée correctement installée et mise à la terre conformément aux règlements et ordonnances municipaux.

AVERTISSEMENT. Un conducteur de terre mal raccordé peut entraîner un risque de choc électrique. Consulter un électricien ou un technicien d'entretien qualifié si vous n'êtes pas certain que la prise est correctement mise à la terre. Ne pas modifier la fiche fournie avec l'appareil - si elle ne peut être insérée dans la prise, faire installer une prise adéquate par un électricien qualifié.

Cet appareil est destiné à un circuit de 120 v et est muni d'une fiche de mise à la terre semblable à celle illustrée par le croquis. S'assurer que l'appareil est branché à une prise de courant ayant la même configuration que la fiche. Aucun adaptateur ne devrait être utilisé avec cet appareil.



This manual is furnished with each new model. It provides necessary operation and maintenance instructions.


Read this manual completely and understand the machine before operating or servicing it.

This machine will provide excellent service. However, the best results will be obtained at minimum costs if:


- The machine is operated with reasonable care.
- The machine is maintained regularly - per the machine maintenance instructions provided.
- The machine is maintained with manufacturer-supplied or equivalent parts.

Parts and supplies may be ordered online, by phone, by fax or by mail.

UNCRATING MACHINE: Carefully check carton for signs of damage. Report damages at once to carrier.



PROTECT THE ENVIRONMENT
Please dispose of packaging materials and old machine components in an environmentally safe way according to local waste disposal regulations.



Always remember to recycle.

MACHINE DATA

Please fill out at time of installation for future reference.

Model No. - _____

Serial No. - _____

Machine Options - _____

Sales Rep. - _____

Sales Rep. phone no. - _____

Customer Number - _____

Installation Date - _____

TABLE OF CONTENTS

SAFETY PRECAUTIONS	9
GROUNDING INSTRUCTIONS	10
SAFETY LABEL	10
MACHINE COMPONENTS	11
MACHINE SETUP	11
MACHINE OPERATION	12
Brush Circuit Breaker	13
Vacuum Motor Thermal Overload	13
ATTACHMENT TOOL OPERATION	13
VACUUM BAG REMOVAL/INSTALLATION ...	13
MACHINE MAINTENANCE	14
Power Cord	14
Vacuum Bag	14
Secondary Filter	14
Brush and Belt	14
Other	15
Vacuum Motor	15
STORING MACHINE	15
RECOMMENDED STOCK ITEMS	15
TROUBLE SHOOTING	16
SPECIFICATIONS	16

Tennant Company
 PO Box 1452
 Minneapolis, MN 55440 USA
 Phone: (800) 553-8033 or (763) 513-2850
 www.tennantco.com
 www.nobles.com

Specifications and parts are subject to change without notice.
 Copyright © 2010 TENNANT Company. All rights reserved.

SAFETY PRECAUTIONS

This machine is intended for commercial use only. It is designed exclusively to pick up dirt, dry debris and dust in an indoor environment and is not constructed for any other use. The pick up of any type of fluid or dangerous/toxic materials is prohibited. Use only recommended accessories.

All operators must read, understand and practice the following safety precautions.

The following warning alert symbol and the "FOR SAFETY" heading are used throughout this manual as indicated in their description:

⚠ WARNING: To warn of hazards or unsafe practices which could result in severe personal injury or death.

FOR SAFETY: To identify actions which must be followed for safe operation of equipment.

Failure to follow these warnings may result in: personal injury, electrocution, electric shock, fire or explosion:

⚠ WARNING: Do Not Use Flammable Liquids Or Operate Machine In Or Near Flammable Liquids, Vapors Or Combustible Dusts.

This machine is not equipped with explosion proof motors. The electric motors will spark upon start up and during operation which could cause a flash fire or explosion if machine is used in an area where flammable vapors/liquids or combustible dusts are present.

⚠ WARNING: Do Not Pick Up Flammable Or Toxic Materials, Burning Or Smoking Debris.

⚠ WARNING: Do Not Operate With Damaged Power Cord. Do Not Modify Plug. Unplug Power Cord Before Servicing Machine

If the supply cord is damaged or broken, it must be replaced by the manufacturer or it's service agent or a similarly qualified person in order to avoid a hazard.

⚠ WARNING: Do Not Use Outdoors Or On Wet Surfaces. Do Not Expose to Rain. Store Indoors.

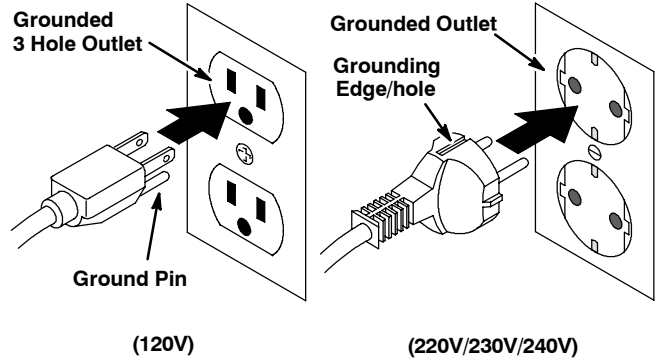
The following information signals potentially dangerous conditions to the operator or equipment:

FOR SAFETY:

1. Do not operate machine:
 - In flammable or explosive areas.
 - Unless trained and authorized.
 - Unless operator manual is read and understood.
 - Unless cord is properly grounded.
 - With damaged cord or plug.
 - If not in proper operating condition.
 - On wet or damp surfaces.
 - In outdoor areas.
 - Without bag and/or filters in place.
 - With the use of an extension cord.
2. Before operating machine:
 - Make sure all safety devices are in place and operate properly.
3. When using machine:
 - Do not pull machine by plug or cord.
 - Do not pull cord around sharp edges or corners.
 - Do not close doors on cord.
 - Do not unplug by pulling on cord.
 - Do not stretch cord.
 - Do not handle plug with wet hands.
 - Keep cord away from heated surfaces.
 - Do not pick up burning or smoking debris, such as cigarettes, matches or hot ashes.
 - Report machine damage or faulty operation immediately.
 - Never allow children to play on or around.
4. Before leaving or servicing machine:
 - Turn off machine.
 - Unplug cord from wall outlet.
5. When servicing machine:
 - Unplug cord from wall outlet.
 - Avoid moving parts. Do not wear loose jackets, shirts, or sleeves.
 - Use manufacturer supplied or approved replacement parts.
 - All repairs must be performed by a qualified service person.
 - Do not modify the machine from its original design.

GROUNDING INSTRUCTIONS

Machine must be grounded. If it should malfunction or breakdown, grounding provides a path of least resistance for electrical current to reduce the risk of electrical shock. This machine is equipped with a cord having an equipment-grounding conductor and grounding plug. The plug must be plugged into an appropriate outlet that is properly installed in accordance with all local codes and ordinances. Do not remove ground pin; if missing, replace plug before use.



SAFETY LABEL

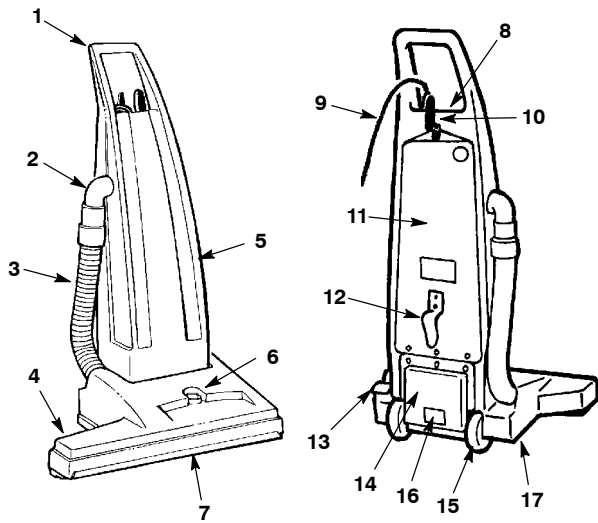
The safety label appears on the machine in the location indicated. Replace label if it is missing or becomes damaged or illegible.



WARNING LABEL - LOCATED ON BACK SIDE OF MACHINE.

⚠ WARNING	
<p>EXPLOSION, FIRE AND SHOCK HAZARD. AVOID INJURY.</p> <ul style="list-style-type: none"> • Do Not Use Near Flammable Liquids, Vapors or Combustible Dusts. • Do Not Pick Up Flammable or Toxic Materials and Burning Debris. • Do Not Operate With Damaged Power Cord. Do Not Modify Plug. Unplug Power Cord Before Servicing Machine. • Do Not Use Outdoors or On Wet Surfaces. Do Not Expose to Rain. 	
⚠ AVERTISSEMENT	
<p>RISQUE D'EXPLOSION, D'INCENDIE ET DE DÉCHARGE. ÉVITEZ LES BLESSURES.</p> <ul style="list-style-type: none"> • N'utilisez Pas Près de Liquides, Vapeurs ou Poussières Inflammables. • Ne Ramassez Pas de Matériaux Inflammables ou Toxiques et de Déchets Enflammés. • N'utilisez Pas la Machine Avec un Cordon d'Alimentation Endommagé. Ne Modifiez Pas la Prise. Débranchez le Cordon d'Alimentation Avant d'Entretenir la Machine. • N'utilisez Pas en Extérieur ou Sur des Surfaces Humides. N'Exposez Pas à la Pluie. 	
⚠ ADVERTENCIA	
<p>PELIGRO DE EXPLOSIÓN, FUEGO, DESCARGA EVITE LESIONES.</p> <ul style="list-style-type: none"> • No Use Cerca de Líquidos Flamables, Vapores Ó Materiales Combustibles. • No Recoja Materiales Flamables Ó Tóxicos Ni Desechos Candescentes. • No Use Con Cable De Corriente Dañado. No Altere El Enchufe. Desconecte Cable De Corriente Antes Del Mantenimiento. • No Use Al Aire Libre Ni En Superficies Húmedas. No Exponga A La Lluvia. 1026381 	

MACHINE COMPONENTS



1. Handle
2. Attachment Tool Elbow
3. Vacuum Hose
4. Brush Housing
5. Vacuum Bag Housing
6. Brush Height Adjustment Knob
7. Brush
8. ON/OFF Switch
9. 15m (50 ft) Power Cord
10. Door Latch/Upper Cord Hook
11. Rear Door
12. Lower Cord Hook
13. Handle Release Foot Latch
14. Exhaust Vent
15. Rear Wheels
16. Serial Number Tag
17. Brush Circuit Breaker (bottom side)

MACHINE SETUP

1. Carefully check carton for signs of damage. Report damages at once to carrier.

NOTE: If rear door has become misaligned during shipment, loosen nuts at hinge, realign door and re-tighten nuts.

2. Vacuum is shipped fully assembled. A paper vacuum bag is factory installed and is ready for operation.

Attachment Tool Kit is sold separately. If cleaning with attachments see Attachment Tool Operation.

3. Plug power cord into grounded wall outlet (Figure 1).

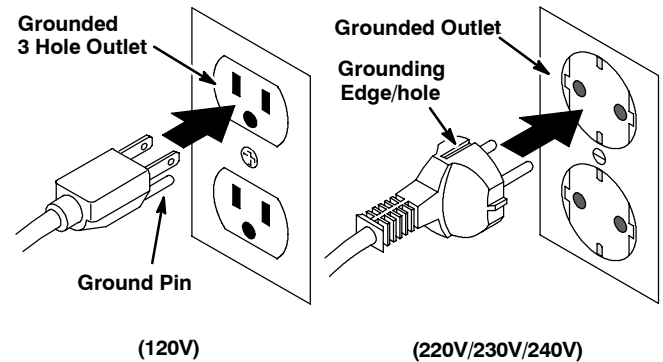


FIG. 1

FOR SAFETY: Do not operate machine unless cord is properly grounded.

FOR SAFETY: Do not operate machine with the use of an extension cord.

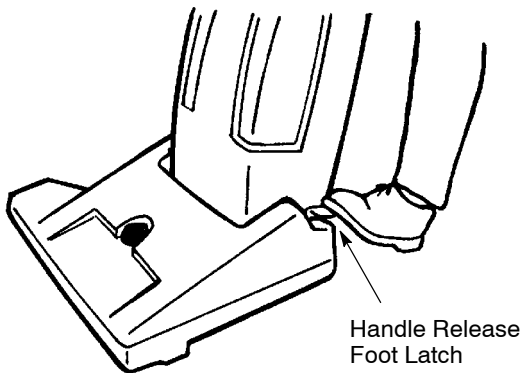
MACHINE OPERATION

FOR SAFETY: Do not operate machine unless operator manual is read and understood.

1. Always check to ensure a vacuum bag is installed. Replace bag if necessary (See Vacuum Bag Removal/Installation).

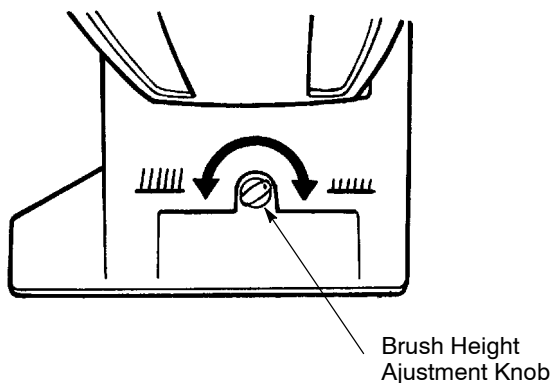
ATTENTION: Never operate machine without a filter bag in place, vacuum motor damage will result.

2. Lower handle to operating position by depressing handle release foot latch (Figure 2).

**FIG. 2**

3. Adjust brush height to suit carpet pile by turning brush height adjustment knob on brush housing (Figure 3).

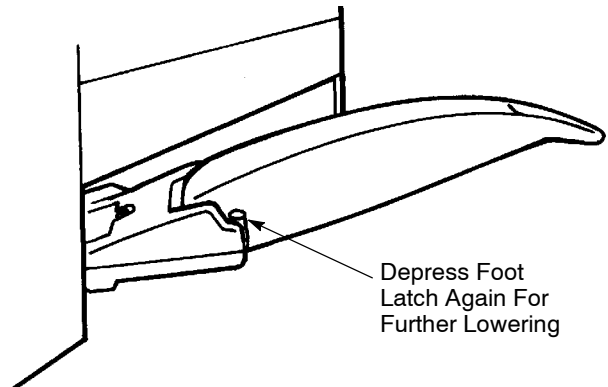
NOTE: Handle MUST be disengaged from upright position when adjusting brush for proper height.

**FIG. 3**

4. Activate ON/OFF switch.
5. Operate by using normal vacuuming procedures, and check vacuum bag periodically for fullness.

⚠ WARNING: Do Not Pick Up Flammable Or Toxic Materials, Burning Or Smoking Debris.

6. For vacuuming under desks or other hard to reach places, lower handle to stop point and depress handle release foot latch once again. This enables for further handle lowering (Figure 4).

**FIG. 4**

BRUSH CIRCUIT BREAKER

Vacuum is equipped with a resettable brush circuit breaker. Circuit breaker will trip under conditions of excessive brush overload. Periodically check brush for entangled carpet strands and debris. If circuit breaker should trip. Remove obstruction and reset circuit breaker switch by pushing button located under brush housing. Resume to normal operation (Figure 5).

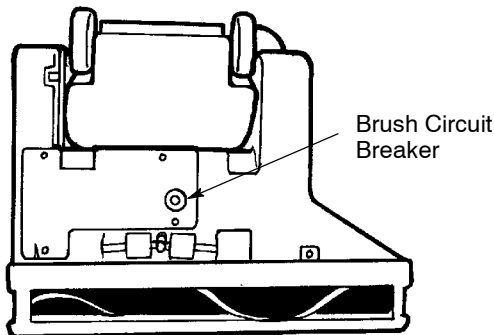


FIG. 5

⚠ WARNING: Do Not Operate With Damaged Power Cord. Do Not Modify Plug. Unplug Power Cord Before Servicing Machine

If the supply cord is damaged or broken, it must be replaced by the manufacturer or it's service agent or a similarly qualified person in order to avoid a hazard.

VACUUM MOTOR THERMAL OVERLOAD

Internal temperature of vacuum motor is sensed at all times. When temperature gets too high sensor shuts off vacuum motor. Inspect vacuum for any air obstruction. Sensor will automatically reset when motor has cooled. Motor can then be re-started.

ATTACHMENT TOOL OPERATION

Attachment Tool Kit is sold separately. (**Attachment Tool Kit #190048**) Includes: Crevice Tool, Dusting Brush, Upholstery Tool, 1.5m (5 ft) Vacuum Hose and Extension Wand.

1. Keep vacuum in the upright position at all times when using attachments.
2. Disconnect vacuum hose from elbow on handle housing.

3. Connect attachment tool vacuum hose to elbow and desired tool to opposite end (Figure 6).

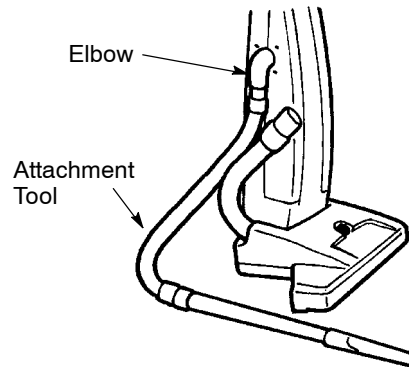


FIG. 6

4. Activate ON/OFF switch and operate tool using normal vacuuming procedures.

⚠ WARNING: Do Not Pick Up Flammable Or Toxic Materials, Burning Or Smoking Debris.

VACUUM BAG REMOVAL/INSTALLATION

⚠ WARNING: Do Not Operate With Damaged Power Cord. Do Not Modify Plug. Unplug Power Cord Before Servicing Machine

1. Open rear door by turning door latch/upper cord hook 90° (Figure 7).

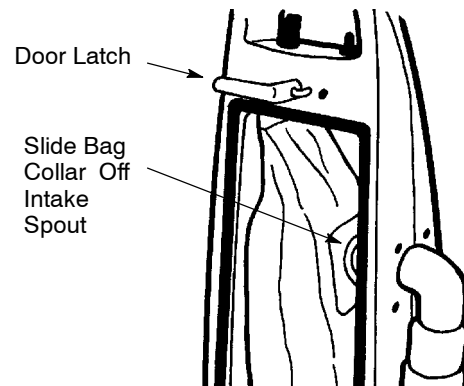


FIG. 7

2. Slide vacuum bag collar off intake spout.

PAPER BAG: Dispose paper bag when full. DO NOT reuse paper bag.

CLOTH BAG: Unclip end of bag and release debris into disposal container. Shake out excess dust and inspect for tears or holes.

3. Directly replace with new or empty cloth bag. Push bag onto intake spout as far as it will go.

MACHINE MAINTENANCE

⚠ WARNING: Hazardous Voltage. Shock or electrocution can result. Unplug machine before servicing.

POWER CORD

1. Always wind power cord around cord hooks rather than loosely looped over handle. Should power cord become worn, replace immediately.
2. Inspect cord strain relief regularly to ensure that it is not pulling out of housing.

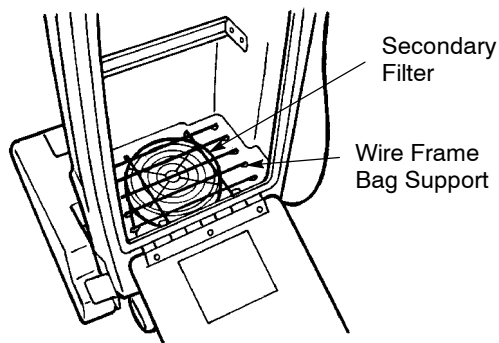
FOR SAFETY: When using machine, do not pull cord around sharp edges or corners. Do not stretch cord. Do not close doors on cord. Do not unplug by pulling on cord. Keep cord away from heated surfaces.

VACUUM BAG

1. Check bag regularly for fullness. Do not over fill bag. Never reuse paper bag.
2. Always shake out excess dust after emptying cloth bag. Inspect for tears and holes.

SECONDARY FILTER**STANDARD MODEL**

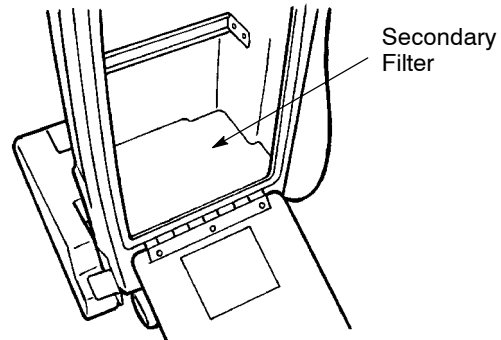
1. Clean secondary filter weekly. Filter is located below vacuum bag area (*Figure 8*).

**FIG. 8**

- a. Remove vacuum bag to access secondary filter. Hinge wire frame bag support outwards.
- b. Remove filter from vacuum motor and tap or blow off dust build-up. DO NOT clean with water or solvent.
- c. When replacing filter be certain it snaps securely on motor.

240V EMC MODEL

Clean secondary filter weekly. Filter is located below vacuum bag area (*Figure 9*).

**FIG. 9**

- a. Remove vacuum bag to access secondary filter.
 - b. Remove filter and tap or blow off dust build-up. DO NOT clean with water or solvent.
2. Replace secondary filter if worn or not cleanable.

BRUSH AND BELT

1. Inspect regularly for entangled carpet strands and debris.
2. Inspect brush bristles for wear periodically. If worn, adjust brush to extend its life as follows:
 - a. Remove metal brush shoe from brush housing. Philips screwdriver is required.
 - b. Remove brush assembly. Grip brush on opposite side of belt and pull outwards.
 - c. Inspect drive belt for wear, replace if necessary.

- d. Rotate both bearing blocks 180° and reinstall brush (Figure 10).

NOTE: Brush bearing blocks are labeled with numbers. To extend brush life, position label "2" outwards when reinstalling brush.

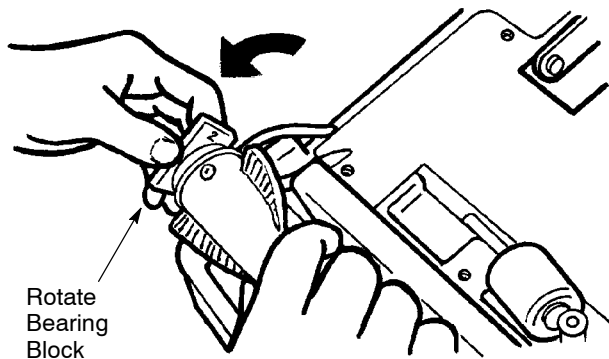


FIG. 10

- e. Replace metal brush shoe after brush is properly installed.

OTHER

1. Inspect vacuum hose regularly for holes, loose cuffs or clogged debris.
2. Inspect rear door gasket regularly for leakage. Replace if worn.
3. Clean vacuum housing with damp cloth and mild soap.

VACUUM MOTOR

Check Vacuum Motor carbon brush wear every 250 hours of use. Replace carbon brush when worn to 3/8" (1cm) or less in length. Vacuum motor damage due to carbon brush wear is not covered under warranty.

STORING MACHINE

Before storing machine, neatly coil power cord, clean or replace filters and install a new filter bag. Store machine in a dry area.

⚠ WARNING: Do Not Use Outdoors Or On Wet Surfaces. Do Not Expose to Rain. Store Indoors.

RECOMMENDED STOCK ITEMS

Refer to the Parts List manual for recommended stock items. Stock Items are clearly identified with a bullet preceding the parts description. See example below:

26	1017380	(00000000-)	•	Hose, Drain, Assy, 1.5d X 29.5l, Blk, Ftx
27	1008639	(00000000-)	•	Drain Assy
28	1019563	(00000000-)	•	Strap, Drain Cap
29	1008637	(00000000-)	•	O Ring, 1.48" Id, 1.76" Od

TROUBLE SHOOTING

PROBLEM	CAUSE	SOLUTION
Machine does not operate.	ON/OFF switch is OFF.	Turn switch to ON.
	Vacuum not plugged to wall outlet.	Plug power cord to wall outlet.
	Faulty power cord.	Contact Service Center.
	Faulty ON/OFF Switch.	Contact Service Center.
	Faulty wiring.	Contact Service Center.
	Building circuit breaker tripped.	Reset circuit breaker and change to different power circuit.
Vacuum motor does not operate.	Sensor temperature too high.	Find air obstruction. Let motor cool for 20 minutes.
Brush does not operate.	Brush circuit breaker tripped.	Determine what caused breaker to trip then reset breaker.
Low suction	Vacuum bag full.	Replace bag.
	Vacuum hose plugged.	Remove obstruction.
	Secondary filter plugged.	See MAINTENANCE; Secondary Filter.
	Rear door gasket leakage.	Replace gasket.
Poor brush pick-up.	Brush height adjusted incorrectly.	Adjust brush height.
	Clogged brush	Remove clogged material.
	Worn brush bristles.	See MACHINE MAINTENANCE; Brush and Belt.
	Loose drive belt.	Inspect belt, replace if needed.

SPECIFICATIONS

MODEL	V-WA-26 / V-WA-66
LENGTH	480 mm (19 in)
WIDTH	660 mm (26 in)
HEIGHT	1120 mm (44 in)
WEIGHT	20.4Kg (44 lbs)
BRUSH MOTOR	120V, 0.125 hp, 1A, 1,800 rpm
	220V, 0.15kW, .5A, 1800 rpm
VACUUM MOTOR	120V, 1.5 hp, 9.8 amps
POWER CORD LENGTH	15m (50 ft) Gauge-16/3
SWEEPING PATH	610 mm (24 in)
VACUUM BAG	10 L (.33 bushel)
DECIBEL RATING AT OPERATOR'S EAR, INDOORS ON CARPET	74dB(A)

Este manual acompaña a los modelos nuevos e incluye las instrucciones necesarias para su utilización y mantenimiento.

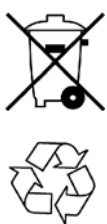
Lea todo el manual para familiarizarse con la máquina antes de utilizarla o realizar tareas de mantenimiento.

Esta máquina ofrece un funcionamiento excelente y puede obtener los mejores resultados con los mínimos costes si:

- Maneja la máquina con un cuidado razonable.
- Revisa la máquina periódicamente, de acuerdo con las instrucciones de mantenimiento adjuntas.
- Las operaciones de mantenimiento de la máquina se realizan con piezas suministradas por el fabricante o equivalentes.

Puede solicitar las piezas a través de internet, por teléfono, por fax o por correo.

DESEMBALADO DE LA MÁQUINA: Controle cuidadosamente si la caja presenta signos de deterioro. Si detecta desperfectos, informe inmediatamente al transportista.



PROTECCIÓN DEL MEDIO AMBIENTE

Deseche el material de embalaje y los componentes usados de la máquina de forma segura para el medio ambiente, de acuerdo con las normativas locales sobre desecho de residuos.

No olvide reciclar.

Tennant Company
 PO Box 1452
 Minneapolis, MN 55440 EE.UU.
 Teléfono: (800) 553-8033 o (763) 513-2850
 www.tennantco.com
 www.nobles.com

Las características técnicas y las piezas están sujetas a modificaciones sin previo aviso.

Copyright © 2010 TENNANT Company.
 Todos los derechos reservados.

DATOS DE LA MÁQUINA

Rellénela cuando realice la instalación para utilizarla como referencia en el futuro.

Nº modelo: _____

Nº serie: _____

Opciones de la máquina: _____

Vendedor: _____

Nº de teléfono del vendedor: _____

Nº de cliente: _____

Fecha de instalación: _____

ÍNDICE


MEDIDAS DE SEGURIDAD	18
INSTRUCCIONES PARA LA CONEXIÓN A LA TOMA DE TIERRA	19
ETIQUETA DE SEGURIDAD	19
COMPONENTES DE LA MÁQUINA	20
INSTALACIÓN DE LA MÁQUINA	20
FUNCIONAMIENTO DE LA MÁQUINA	21
CORTACIRCUITOS DEL CEPILLO	21
SOBRECARGA TÉRMICA DEL MOTOR DEL ASPIRADOR	22
FUNCIONAMIENTO DE LOS ACCESORIOS ...	22
EXTRACCIÓN / INSTALACIÓN DE LA BOLSA	22
MANTENIMIENTO DE LA MÁQUINA	23
Cable eléctrico	23
Bolsa para desperdicios	23
Filtro secundario	23
Cepillo y correa	23
Otros	24
Motor de Aspiración	24
ALMACENAMIENTO DE LA MÁQUINA ...	24
ARTICULOS RECOMENDADOS PARA MANTENER EN EXISTENCIA	24
LOCALIZACIÓN DE AVERÍAS	25
ESPECIFICACIONES	25

MEDIDAS DE SEGURIDAD

Esta máquina está destinada solamente al uso comercial. Está diseñada exclusivamente para recoger suciedad, escombros secos y polvo de interiores y no está indicada para ningún otro uso. La recogida de cualquier líquido o polvo peligroso/tóxico está prohibida. Utilice solamente los accesorios recomendados.


Todos los operadores deben leer, entender y practicar las precauciones siguientes de seguridad.

El siguiente símbolo de alerta de advertencia y el encabezamiento de "PARA SEGURIDAD" se usan en este manual como se indica en su descripción:


 **ADVERTENCIA:** Para advertir de riesgos o prácticas inseguras que podrían resultar en lesiones personales graves o la muerte.


PARA SEGURIDAD: Para identificar acciones que deben seguirse para el funcionamiento seguro del equipo.

El no seguir estas advertencias puede resultar en: lesiones personales, electrocución, choque eléctrico, fuego o explosión.


 **ADVERTENCIA:** No use líquidos inflamables ni opere la máquina en o cerca de líquidos y vapores inflamables o polvos combustibles.

Esta máquina no está equipada con motores a prueba de explosión. Los motores eléctricos emiten chispas al arrancar y durante el funcionamiento lo que podría causar un fuego explosivo o explosión si la máquina se usa en una área donde están presentes vapores/líquidos inflamables o polvos combustibles.

 **ADVERTENCIA:** No recoja materiales tóxicos o inflamables ni residuos humeantes o ardiendo.

 **ADVERTENCIA:** No opere con un cordón eléctrico dañado. No modifique el enchufe. Desenchufe el cordón eléctrico antes de reparar la máquina.

Si el cordón del suministro se daña o se rompe, debe ser reemplazado por el fabricante o su agente de servicio o una persona similarmente calificada para evitar un riesgo.

 **ADVERTENCIA:** No utilice la máquina al aire libre ni en superficies mojadas. No exponga la máquina a la lluvia. Almacén bajo techo.

La información siguiente señala condiciones potencialmente peligrosas para el operador o el equipo:

PARA SEGURIDAD:

1. No opere la máquina:
 - En zonas inflamables o donde puedan producirse explosiones.
 - A menos que está capacitado y autorizado.
 - A menos que se haya leído y entendido el manual del funcionamiento.
 - A menos que el cordón se conecte apropiadamente a tierra.
 - Con un cordón o enchufe dañados.
 - Si no está en condición de ejecutar una operación apropiada.
 - Sobre superficies mojadas o húmedas.
 - En áreas al aire libre.
 - Sin haber colocado los filtros y/o la bolsa.
 - Sin bolsa del polvo en lugar.
2. Antes de arrancar la máquina:
 - Asegúrese que todos los dispositivos de seguridad están en su lugar y operando apropiadamente.
3. Al usar máquina:
 - No tire de la máquina por el enchufe o el cordón.
 - Evite pasar el cable por bordes agudos o esquinas.
 - No cierre las puertas sobre el cordón.
 - No desenchufe tirando del cordón.
 - No estire el cordón.
 - No maneje el enchufe con las manos húmedas.
 - Mantenga el cordón lejos de las superficies calientes.
 - No recoja restos ardiendo o humeantes como cigarrillos, cerillas o cenizas calientes.
 - Informe inmediatamente acerca de daños o un funcionamiento defectuoso.
 - Nunca permita que los niños jueguen en o alrededor de la máquina.
4. Antes de salir de o reparar la máquina:
 - Apague la máquina.
 - Desenchufe cordón del tomacorriente de la pared.

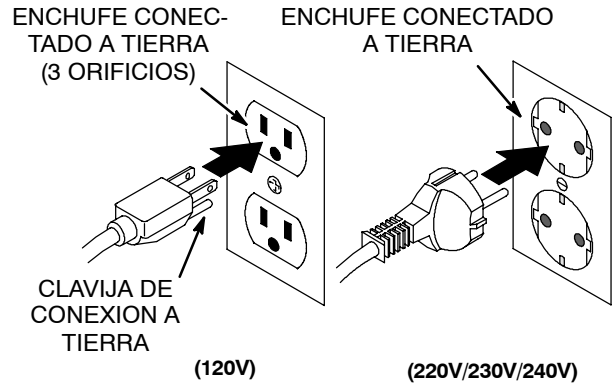
5. Al prestar servicio a la máquina:

- Desenchufe cordón del tomacorriente de la pared.
- Evite las piezas móviles. No use chaquetas, camisas, o mangas, holgadas.
- Use piezas de repuesto provistas o aprobadas por el fabricante.
- Todas las reparaciones deben ser realizadas por una persona de servicio calificada.
- No modifique la máquina de su diseño original.

funcionamiento incorrecto o avería. El cable eléctrico de esta máquina está equipado con un conductor de toma de tierra para el equipo y un enchufe con toma de tierra. Conecte el enchufe a una toma eléctrica cuya instalación cumpla las ordenanzas y regulaciones locales.

INSTRUCCIONES PARA LA CONEXIÓN A LA TOMA DE TIERRA

La máquina debe estar conectada a una toma de tierra. Esta toma de tierra proporciona el camino de menor resistencia a la corriente eléctrica para reducir el riesgo de descarga eléctrica en caso de



ETIQUETA DE SEGURIDAD

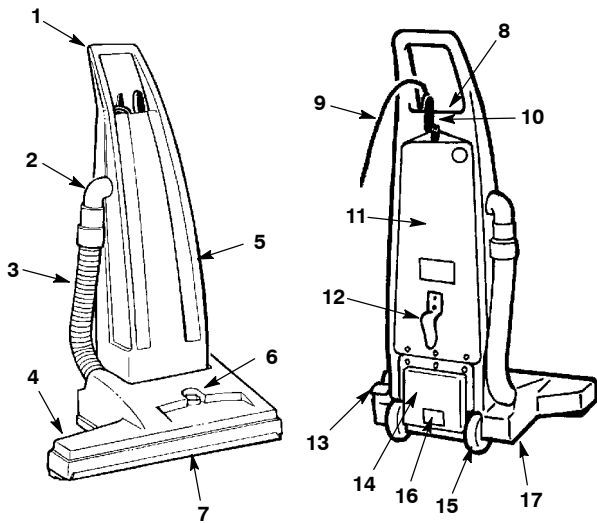
La adhesivo de seguridad aparece en la máquina en la localización indicada. Sustituya el adhesivo si se ha desprendido, o está deteriorado o son ilegible.



ADHESIVO DE ADVERTENCIA – Situado en la parte trasera de la máquina.

⚠ WARNING	
<p>EXPLOSION, FIRE AND SHOCK HAZARD. AVOID INJURY.</p> <ul style="list-style-type: none"> • Do Not Use Near Flammable Liquids, Vapors or Combustible Dusts. • Do Not Pick Up Flammable or Toxic Materials and Burning Debris. • Do Not Operate With Damaged Power Cord. Do Not Modify Plug. Unplug Power Cord Before Servicing Machine. • Do Not Use Outdoors or On Wet Surfaces. Do Not Expose to Rain. 	
⚠ AVERTISSEMENT	
<p>RISQUE D'EXPLOSION, D'INCENDIE ET DE DÉCHARGE. ÉVITEZ LES BLESSURES.</p> <ul style="list-style-type: none"> • N'utilisez Pas Près de Liquides, Vapeurs ou Poussières Inflammables. • Ne Ramassez Pas de Matériaux Inflammables ou Toxiques et de Déchets Enflammés. • N'utilisez Pas la Machine Avec un Cordon d'Alimentation Endommagé. Ne Modifiez Pas la Prise. Débranchez le Cordon d'Alimentation Avant d'Entretien la Machine. • N'utilisez Pas en Extérieur ou Sur des Surfaces Humides. N'Exposez Pas à la Pluie. 	
⚠ ADVERTENCIA	
<p>PELIGRO DE EXPLOSIÓN, FUEGO, DESCARGA EVITE LESIONES.</p> <ul style="list-style-type: none"> • No Use Cerca de Líquidos Flamables, Vapores Ó Materiales Combustibles. • No Recoja Materiales Flamables Ó Tóxicos Ni Desechos Candescentes. • No Use Con Cable De Corriente Dañado. No Altere El Enchufe. Desconecte Cable De Corriente Antes Del Mantenimiento. • No Use Al Aire Libre Ni En Superficies Húmedas. No Exponga A La Lluvia. 1026381 	

COMPONENTES DE LA MÁQUINA



1. Mando
2. Codo de acoplamiento
3. Manguera de aspiración
4. Caja del cepillo
5. Caja de la bolsa
6. Botón de ajuste de la altura del cepillo
7. Cepillo
8. Interruptor de ENCENDIDO/APAGADO
9. Cable eléctrico de 15 m (50')
10. Pestillo de la cubierta/ Enganche superior para el cable
11. Cubierta trasera
12. Enganche inferior para el cable
13. Pedal de liberación del mando
14. Ventilador de expulsión
15. Ruedas traseras
16. Etiqueta con el número de serie
17. Cortacircuitos del cepillo
(situado en el lado inferior de la caja del cepillo)

INSTALACIÓN DE LA MÁQUINA

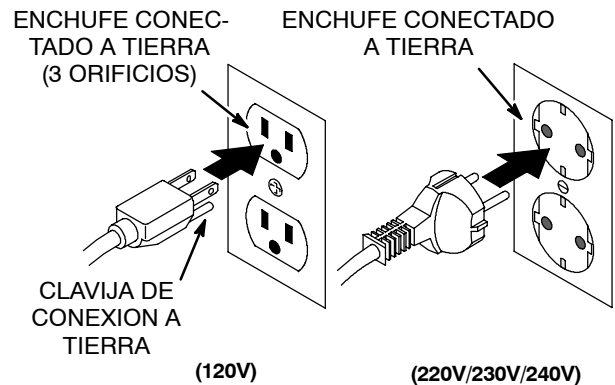
1. Compruebe cuidadosamente si el embalaje presenta desperfectos. Informe inmediatamente al transportista de dichos desperfectos.

NOTA: Si la cubierta trasera se ha desalineado durante el transporte, afloje las tuercas de la bisagra, alinee de nuevo la cubierta y vuelva a fijar las tuercas.

2. Aspirador se ha transportado totalmente montado. La bolsa de papel también viene instalada de fábrica y el aspirador está listo para su utilización.

El juego de accesorios se vende por separado. Para la limpieza con accesorios consulte el apartado de Funcionamiento de los accesorios.

3. Enchufe el cable en la toma de la pared.



PARA SU SEGURIDAD: No utilice la máquina salvo que el cable eléctrico tenga una toma de tierra que funcione correctamente.

PARA SU SEGURIDAD: No utilice la máquina con un cable eléctrico alargador.

FUNCIONAMIENTO DE LA MÁQUINA

PARA SU SEGURIDAD: No utilice la máquina salvo que haya leído y comprendido el manual de instrucciones.

1. Asegúrese siempre de que hay una bolsa instalada. Sustituya la bolsa en caso necesario. (Consulte el apartado de Extracción / Instalación de la bolsa).

ATENCIÓN: No utilice nunca la máquina sin bolsa instalada, averiaría el motor de aspiración.

2. Baje el mando hasta la posición de funcionamiento pisando el pedal de liberación del mando (Figura 1).

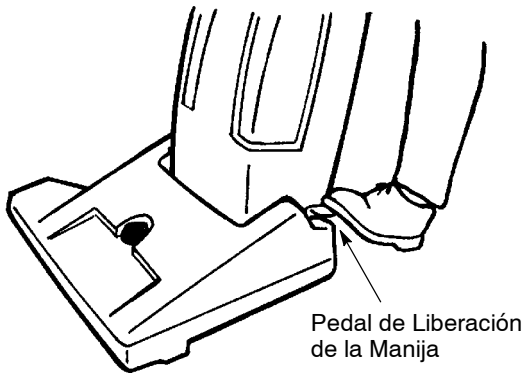


FIG. 1

3. Ajuste la altura del cepillo a la de la alfombra girando el botón de ajuste situado en la caja del cepillo (Figura 2).

NOTA: El mando debe encontrarse FUERA de la posición vertical al ajustar el cepillo a la altura adecuada.

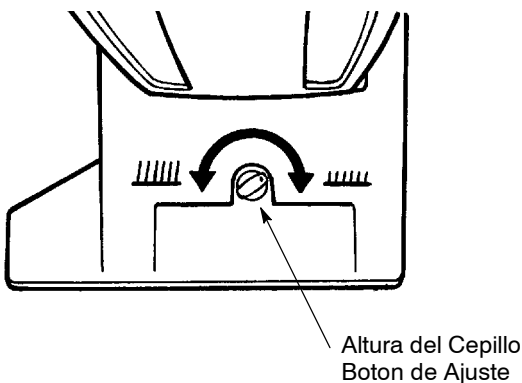


FIG. 2

4. Active el interruptor de ENCENDIDO/APAGADO.
5. Utilice la máquina como lo haría normalmente y compruebe periódicamente si la bolsa está llena.

⚠ ADVERTENCIA: No recoja materiales tóxicos o inflamables ni residuos humeantes o ardiendo.

6. Para limpiar debajo de mostradores u otros lugares de difícil acceso, baje el mando hasta el punto de parada y pise de nuevo el pedal de liberación del mando. Esto permite bajar el mando aún más (Figura 3).

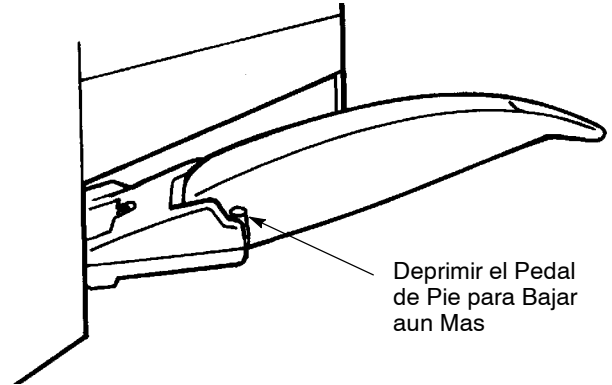


FIG. 3

CORTACIRCUITOS DEL CEPILLO

El aspirador presenta un cortacircuitos del cepillo. Este cortacircuitos se activa al sobrecargar el cepillo. Compruebe periódicamente si existen hilos de alfombras o desperdicios enredados en el cepillo. En caso de que sea así, se activará el cortacircuitos. Retire la obstrucción y reajuste el interruptor del cortacircuitos pulsando el botón situado debajo de la caja del cepillo (Figura 4).

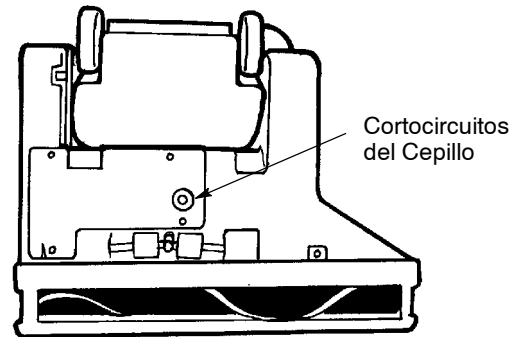


FIG. 4

⚠ ADVERTENCIA: No opere con un cordón eléctrico dañado. No modifique el enchufe. Desenchufe el cordón eléctrico antes de reparar la máquina.

Si el cordón del suministro se daña o se rompe, debe ser reemplazado por el fabricante o su agente de servicio o una persona similarmente calificada para evitar un riesgo.

SOBRECARGA TÉRMICA DEL MOTOR DEL ASPIRADOR

Existe un sensor que controla la temperatura interna del motor del aspirador en todo momento. Cuando dicha temperatura es demasiado elevada, el sensor detiene el motor del aspirador. Controle si existe algo que obstruya el flujo del aire del aspirador. El sensor se reajustará automáticamente al enfriarse el motor. A continuación puede volver a poner el motor en marcha.

FUNCIONAMIENTO DE LOS ACCESORIOS

El juego de accesorios se vende separadamente (**Juego de accesorios #190048**) e incluye boquilla para hendiduras, cepillo para polvo, boquilla para tapicerías, manguera de aspiración de 1.5 m (5 ft) y un tubo extensor.

1. Mantenga el aspirador en posición vertical siempre que utilice estos accesorios.
2. Desconecte la manguera de aspiración del codo de la caja del mando.
3. Conecte la manguera de aspiración al codo y el accesorio deseado en el otro extremo (*Figura 5*).

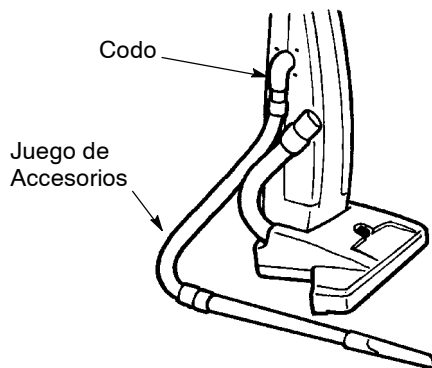


FIG. 5

4. Encienda el interruptor de ENCENDIDO/APAGADO y utilice el aspirador normalmente.

⚠ ADVERTENCIA: No recoja materiales tóxicos o inflamables ni residuos humeantes o ardiendo.

EXTRACCIÓN / INSTALACIÓN DE LA BOLSA

⚠ ADVERTENCIA: No opere con un cordón eléctrico dañado. No modifique el enchufe. Desenchufe el cordón eléctrico antes de reparar la máquina.

1. Abra la cubierta trasera girando 90° el pestillo de la cubierta / el enganche superior del cable (*Figura 6*).

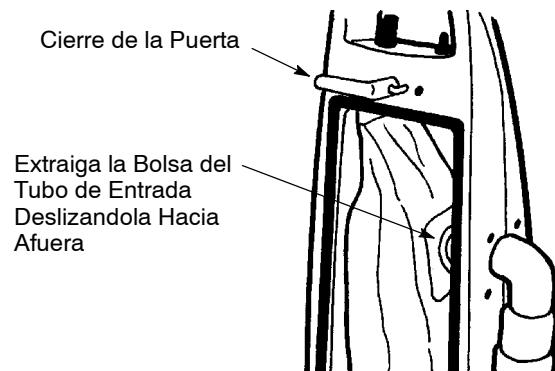


FIG. 6

2. Extraiga la bolsa del tubo de entrada deslizándola hacia afuera.

BOLSA DE PAPEL: Tire la bolsa de papel cuando esté llena. No reutilice las bolsas de papel.

BOLSA DE TELA: Abra el extremo de la bolsa y vacíe su contenido en un contenedor de basura. Sacuda la bolsa para eliminar el exceso de polvo y compruebe si existen desgarrones o agujeros.

3. Coloque directamente una bolsa de papel nueva o la bolsa de tela vacía. Coloque la bolsa sobre el tubo de entrada y empuje todo lo que pueda.

MANTENIMIENTO DE LA MÁQUINA

⚠ ADVERTENCIA: Alta tensión. Existe riesgo de electrocución o descarga eléctrica. Desenchufe siempre la máquina antes de realizar cualquier revisión.

CABLE ELÉCTRICO

1. Recoja siempre el cable eléctrico y enróllelo alrededor de los enganches dispuestos para esto. No deje el cable suelto por encima del mando. En caso de que el cable se deteriore, sustitúyalo inmediatamente.
2. Compruebe periódicamente que el cable no esté tirante para asegurarse de que no se salga de la caja.

BOLSA PARA DESPERDICIOS

1. Compruebe periódicamente si la bolsa está llena. No llene la bolsa en exceso. Nunca reutilice una bolsa de papel.
2. Después de vaciar una bolsa de tela, sacúdala siempre para eliminar el exceso de polvo. Compruebe que no tiene desgarrones ni agujeros.

FILTRO SECUNDARIO

MODELO ESTÁNDAR

1. Limpie semanalmente el filtro secundario. El filtro se encuentra debajo de la zona de la bolsa de desperdicios (Figura 7).

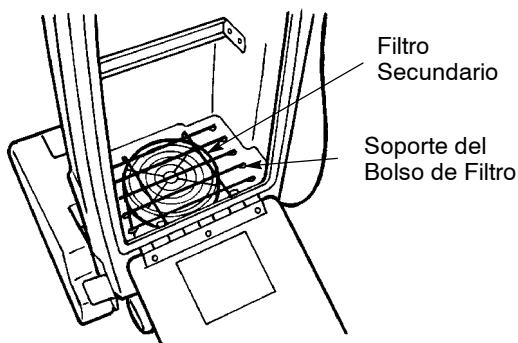


FIG. 7

- a. Retire la bolsa de desperdicios para tener acceso al filtro secundario. Desplace hacia afuera el soporte de la bolsa.

- b. Extraiga el filtro del motor de aspiración y golpéelo ligeramente o límpielo con aire para eliminar el polvo acumulado. NO utilice agua ni disolvente para la limpieza.
- c. Al instalar de nuevo el filtro, asegúrese de encajarlo bien en el motor.

MODELO 240V EMC

Limpie semanalmente el filtro secundario. El filtro se encuentra debajo de la zona de la bolsa de desperdicios (Figura 8).

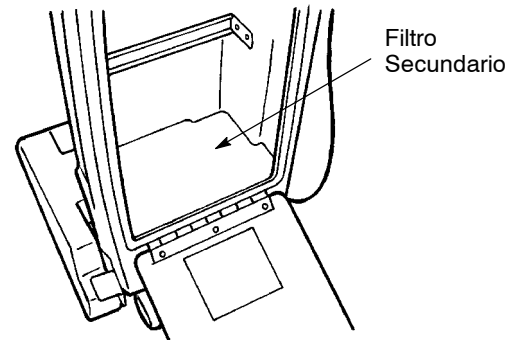


FIG. 8

- a. Retire la bolsa de desperdicios para tener acceso al filtro secundario.
 - b. Extraiga el filtro del motor de aspiración y golpéelo ligeramente o límpielo con aire para eliminar el polvo acumulado. NO utilice agua ni disolvente para la limpieza.
2. Sustituya el filtro secundario si está gastado o no se puede limpiar.

CEPILLO Y CORREA

1. Compruebe periódicamente que no haya hilos o desperdicios enredados.
2. Compruebe periódicamente el desgaste y deterioro de las cerdas del cepillo. Ajuste el cepillo como se indica a continuación para alargar su vida útil.
 - a. Retire la zapata metálica del cepillo de la caja del cepillo. Para esto necesita un destornillador Philips.
 - b. Extraiga el conjunto del cepillo. Sujete el cepillo o el lado opuesto de la correa y tire hacia afuera.
 - c. Compruebe el desgaste de la correa de transmisión y sustitúyala en caso necesario.
 - d. Gire 180° ambos bloques de cojinetes y instale de nuevo el cepillo (Figura 9).

NOTA: Los bloques de los rodamientos del cepillo están rotuladas con números. Colocar en posición el

rótulo "2" hacia afuera para reinstalar el cepillo, para prolongar la vida del cepillo.

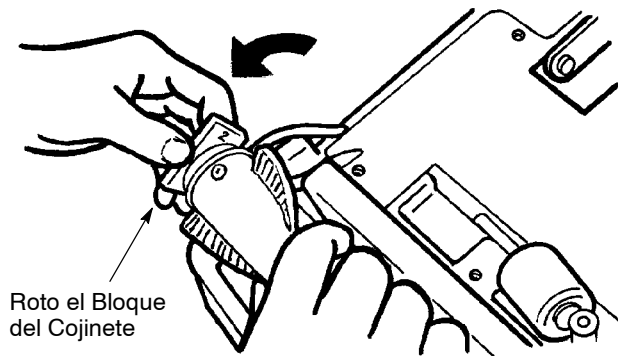


FIG. 9

- e. Después que el cepillo se ha instalado correctamente, volver a colocar la zapata de metal del cepillo.

OTROS

1. Controle periódicamente si la manguera de aspiración muestra orificios, está enrollada o bloqueada por desperdicios.
2. Controle periódicamente si la junta de la cubierta trasera sufre escapes. Sustitúyala si está deteriorada.
3. Limpie la caja de aspiración con un paño húmedo y detergente suave.

MOTOR DE ASPIRACIÓN

Cada 250 horas de uso inspeccione el motor de aspiración, por desgaste de las escobillas de carbón. Reemplace las escobillas si se han gastado a un largo de 10mm (0.38 pul.) o menos.

ALMACENAMIENTO DE LA MÁQUINA

Antes de guardar la máquina, enrolle cuidadosamente el cable eléctrico, limpie o sustituya los filtros e instale una bolsa nueva. Guarde la máquina en una zona limpia y seca.

⚠ ADVERTENCIA: No utilice la máquina al aire libre ni en superficies mojadas. No exponga la máquina a la lluvia. Almacén bajo techo.

ARTICULOS RECOMENDADOS PARA MANTENER EN EXISTENCIA

Consulte el manual de repuestos para saber qué repuestos conviene tener en stock. Los repuestos que debe tener en almacén se identifican fácilmente por la marca que precede a la descripción de las piezas. Consulte el siguiente ejemplo:

26	1017380	(00000000-)	• Hoop, Drain, Assy, 1.5d X 29.5l, Blk, Ftx
27	1008639	(00000000-)	• Drain Assy
28	1019563	(00000000-)	• Strap, Drain Cap
29	1008637	(00000000-)	• O Ring, 1.48" Id, 1.76" Od

LOCALIZACIÓN DE AVERÍAS

PROBLEMA	CAUSA	SOLUCIÓN
El aspirador no funciona.	El interruptor de ENCENDIDO/APAGADO está APAGADO.	Enchufar el interruptor.
	Aspirador desenchufado.	Enchufar la máquina a la toma de la pared.
	Cable eléctrico defectuoso.	Contactar con el Servicio Técnico.
	Interruptor de ENCENDIDO/APAGADO defectuoso.	Contactar con el Servicio Técnico.
	Cableado defectuoso.	Contactar con el Servicio Técnico.
	Cortacircuitos del edificio activado.	Reajustar el cortacircuitos y cambiar a otro circuito eléctrico diferente.
El motor de aspiración no funciona.	El sensor detecta una temperatura excesivamente elevada.	Encontrar la obstrucción de aire. Dejar que el motor se enfríe durante 20 minutos.
El cepillo no funciona.	Cortacircuitos del cepillo activado.	Determinar la causa de la activación del cortacircuitos y reajustar a continuación dicho cortacircuitos.
Aspiración insuficiente.	Bolsa llena.	Sustituir la bolsa.
	Manguera de aspiración bloqueada.	Eliminar la obstrucción.
	Filtro secundario bloqueado.	Contactar con el Servicio Técnico.
	Escape en la junta de la cubierta trasera.	Sustituir la junta.
Recogida del cepillo insuficiente.	Ajuste incorrecto de la altura del cepillo.	Ajustar la altura del cepillo.
	Cepillo bloqueado.	Eliminar la obstrucción.
	Cerdas de cepillo gastadas.	Consultar el apartado de Cuidado de la Máquina; Cepillo.
	Correa de transmisión floja.	Contactar con el Servicio Técnico.

ESPECIFICACIONES

MODELO	V-WA-26 / V-WA-66
LONGITUD	480 mm (19 in)
ANCHURA	660 mm (26 in)
ALTURA	1120 mm (44 in)
PESO	20.4 Kg (44 lbs)
MOTOR DEL CEPILLO	120V, 0.125hp, 1A, 1800 rpm
	220V, 0.15kW, .5A, 1800 rpm
MOTOR DE ASPIRACIÓN	120V, 1.5 hp, 9.8A
	220V, 1.12kW, 3.9A
LONGITUD DEL CABLE ELÉCTRICO	15m (50 ft) Gauge-16/3
ANCHURA DEL BARRIDO	610 mm (24 in)
BOLSAS	10 L (.33 bushel)
NIVEL SONORO EN LA POSICIÓN DEL OPERARIO EN UN ESPACIO INTERIOR CON SUELO DE BALDOSA	74dB(A)

Ce manuel accompagne chaque nouveau modèle. Il contient les instructions de fonctionnement et d'entretien nécessaires.


Lisez complètement ce manuel et familiarisez-vous avec la machine avant de l'utiliser ou de l'entretenir.

Cette machine vous fournira d'excellents services. Toutefois, vous obtiendrez les meilleurs résultats pour un prix de revient minimum si:

- La machine est manipulée avec un certain soin.
- La machine fait l'objet d'un entretien régulier - conformément aux instructions d'entretien de ce manuel.
- L'entretien de la machine est effectué avec des pièces fournies par le fabricant ou des pièces équivalentes.


Les pièces et fournitures peuvent être commandées en ligne, par téléphone, fax, ou par courrier.

DÉBALLAGE DE LA MACHINE: Vérifiez soigneusement si le carton ne présente pas de dommages. Signalez immédiatement tout dommage au transporteur.



PROTECTION DE L'ENVIRONNEMENT

Veuillez éliminer les matériaux d'emballage et les composants usagés de l'appareil de manière à protéger l'environnement, conformément aux règlements locaux concernant l'élimination des déchets.



N'oubliez pas de toujours recycler.

Tennant Company
PO Box 1452
Minneapolis, MN 55440 USA
Phone: (800) 553-8033 or (763) 513-2850

www.tennantco.com
www.nobles.com

Les spécifications et pièces sont susceptibles de modification sans préavis.

Copyright © 2010 TENNANT Company. Tous droits réservés.

DONNÉES DE LA MACHINE

A remplir au moment de l'installation à titre de référence.	
N° du modèle -	_____
N° de série -	_____
Options de la machine -	_____
Agent commercial -	_____
N° de tél. de l'agent commercial -	_____
Numéro de client -	_____
Date d'installation -	_____

TABLE DES MATIÈRES

MESURES DE SÉCURITÉ	27
INSTRUCTIONS DE MISE À LA TERRE ...	28
ÉTIQUETTES DE MISE EN GARDE	28
COMPOSANTS DE LA MACHINE	29
MISE EN SERVICE DE LA MACHINE	29
FONCTIONNEMENT DE LA MACHINE	30
COUPE-CIRCUIT DE LA BROSSE	30
SURCHARGE THERMIQUE DU MOTEUR DE L'ASPIRATEUR	31
FONCTIONNEMENT DES INSTRUMENTS	31
DEPOSE/MISE EN PLACE DU SAC	31
ENTRETIEN DE LA MACHINE	32
ALIMENTER LA CORDE	32
SAC DE VIDE	32
FILTRE SECONDAIRE	32
BROSSE ET COURROIE	33
AUTRES CONSIGNES	33
Vacuum Motor	33
ENTREPOSAGE DE LA MACHINE	33
PIECES DE STOCK RECOMMANDEES	33
DEPISTAGE DES PANNES	34
SPECIFICATIONS	34

MESURES DE SÉCURITÉ

Cette machine est conçue pour un usage commercial. Elle est conçue exclusivement pour ramasser de saleté, les déchets secs et la poussière à l'intérieur et n'est prévue pour aucun autre usage. Le ramassage de tout type de liquide ou de matériaux dangereux/toxiques est interdit. Utilisez uniquement les accessoires recommandés.

Tous les opérateurs sont tenus de lire et comprendre les consignes de sécurité suivantes et de se familiariser avec celles-ci.

Le symbole de mise en garde suivant et l'en-tête « POUR VOTRE SECURITE » sont utilisés tout au long de ce manuel comme indiqué dans leur description:

⚠ MISE EN GARDE: identifie la présence de dangers ou les opérations dangereuses susceptibles de blesser grièvement ou de provoquer la mort.

POUR VOTRE SECURITÉ: identifie les instructions qui doivent être suivies afin de garantir la sécurité lors de l'utilisation de l'équipement.

Le fait de ne pas respecter ces avertissements peut entraîner des blessures, un choc électrique, un incendie ou une explosion.

⚠ MISE EN GARDE: N'utilisez pas de liquides inflammables ou n'utilisez pas la machine dans ou près de liquides ou vapeurs inflammables ou poussières combustibles.

Cette machine n'est pas équipée de moteurs protégés contre les explosions. Les moteurs électriques émettent des étincelles au moment du démarrage et pendant leur fonctionnement, ce qui peut entraîner un incendie instantané ou une explosion si la machine est utilisée dans une zone où des vapeurs/liquides inflammables ou des poussières combustibles, sont présents.

⚠ MISE EN GARDE: Ne ramassez pas de matériaux inflammables ou toxiques, de déchets enflammés ou fumants.

⚠ MISE EN GARDE: N'utilisez pas la machine avec un cordon d'alimentation endommagé. Ne modifiez pas la prise. Débranchez le cordon d'alimentation avant d'entretenir la machine.

Si le cordon d'alimentation est endommagé ou rompu, il doit être remplacé par le fabricant ou son agent de maintenance ou toute autre personne qualifiée, afin d'éviter tout danger.

⚠ MISE EN GARDE: N'utilisez pas la machine en extérieur ou sur des surfaces humides. N'exposez pas à la pluie. Entreposez à l'intérieur.

Les signaux d'information ci-après indiquent les situations potentiellement dangereuses pour l'opérateur ou l'équipement:

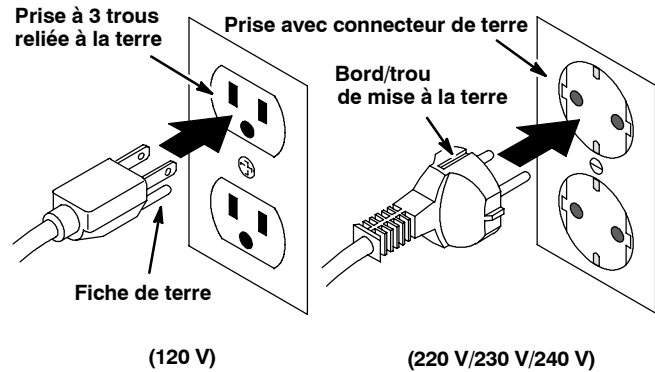
POUR VOTRE SECURITÉ:

1. N'utilisez pas la machine:
 - Dans des zones inflammables ou comportant des risques d'explosion.
 - Si vous n'y êtes pas formé et autorisé.
 - Avant d'avoir lu et compris le manuel opérateur.
 - Si le cordon n'est pas correctement relié à la terre.
 - Avec des cordons ou prises endommagés.
 - Si elle n'est pas en bon état de marche.
 - Sur des surfaces mouillées ou humides.
 - À l'extérieur.
 - Sans sac et/ou filtres dans la machine.
 - Avec une rallonge.
2. Avant d'utiliser la machine:
 - Assurez-vous que tous les dispositifs de sécurité se trouvent à leur place et fonctionnent correctement.
3. Lors de l'utilisation de la machine:
 - Ne tirez pas la machine par la prise ou le cordon.
 - Ne tirez pas le cordon près des bords ou des coins vifs.
 - Ne fermez pas de portes sur le cordon.
 - Ne débranchez pas l'appareil en tirant sur le cordon.
 - N'étirez pas le cordon.
 - Ne manipulez pas la prise avec des mains mouillées.
 - Éloignez le cordon des surfaces chaudes.
 - Ne ramassez pas de déchets enflammés ou fumants, comme des cigarettes, des allumettes ou des cendres chaudes.
 - Signalez immédiatement tout dommage occasionné à la machine ou tout mauvais fonctionnement.
 - Empêchez les enfants de jouer à proximité de la machine.
4. Avant de quitter ou d'entretenir la machine:
 - Coupez le contact de la machine.
 - Débranchez le cordon de la prise murale.

5. Lors de l'entretien de la machine:

- Débranchez le cordon de la prise murale.
- Évitez les pièces mobiles. Ne portez pas de veste ou de chemise large ou de manches amples.
- Utilisez des pièces de rechanges fournies ou agréées par le fabricant.
- Toutes les réparations doivent être effectuées uniquement par un technicien qualifié.
- Ne modifiez pas le design d'origine de la machine.

muni d'un conducteur de terre principale et d'une fiche avec mise à la terre. La fiche doit être branchée sur une prise appropriée montée correctement, conformément aux réglementations et codes en vigueur au niveau local. Ne supprimez pas la fiche de mise à la terre ; si celle-ci manque, remplacez la prise avant d'utiliser la machine.



INSTRUCTIONS DE MISE À LA TERRE

La machine doit être mise à la terre. En cas de dysfonctionnement ou de panne, la mise à la terre offre une voie de moindre résistance au courant électrique, afin de réduire le risque de décharge électrique. Cette machine est équipée d'un cordon

ÉTIQUETTES DE MISE EN GARDE

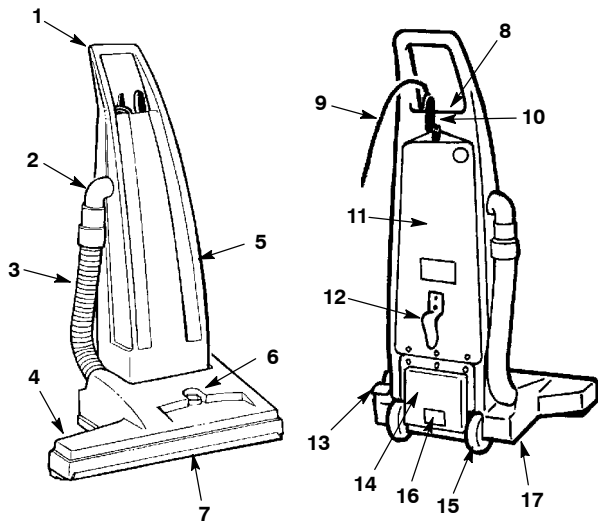
L'étiquette de mise en garde apparaît sur la machine à l'emplacement indiqué. Remplacez l'étiquette lorsqu'elle est endommagée ou qu'elle devient illisible.



ÉTIQUETTE MISE EN GARDE - SITUÉE AU DOS DE LA MACHINE.

⚠ WARNING	
<p>EXPLOSION, FIRE AND SHOCK HAZARD. AVOID INJURY.</p> <ul style="list-style-type: none"> • Do Not Use Near Flammable Liquids, Vapors or Combustible Dusts. • Do Not Pick Up Flammable or Toxic Materials and Burning Debris. • Do Not Operate With Damaged Power Cord. Do Not Modify Plug. Unplug Power Cord Before Servicing Machine. • Do Not Use Outdoors or On Wet Surfaces. Do Not Expose to Rain. 	
⚠ AVERTISSEMENT	
<p>RISQUE D'EXPLOSION, D'INCENDIE ET DE DÉCHARGE. ÉVITEZ LES BLESSURES.</p> <ul style="list-style-type: none"> • N'utilisez Pas Près de Liquides, Vapeurs ou Poussières Inflammables. • Ne Ramassez Pas de Matériaux Inflammables ou Toxiques et de Déchets Enflammés. • N'utilisez Pas la Machine Avec un Cordon d'Alimentation Endommagé. Ne Modifiez Pas la Prise. Débranchez le Cordon d'Alimentation Avant d'Entretenir la Machine. • N'utilisez Pas en Extérieur ou Sur des Surfaces Humides. N'Exposez Pas à la Pluie. 	
⚠ ADVERTENCIA	
<p>PELIGRO DE EXPLOSIÓN, FUEGO, DESCARGA EVITE LESIONES.</p> <ul style="list-style-type: none"> • No Use Cerca de Líquidos Flamables, Vapores Ó Materiales Combustibles. • No Recoja Materiales Flamables Ó Tóxicos Ni Desechos Candescentes. • No Use Con Cable De Corriente Dañado. No Altere El Enchufe. Desconecte Cable De Corriente Antes Del Mantenimiento. • No Use Al Aire Libre Ni En Superficies Húmedas. No Exponga A La Lluvia. 1026381 	

COMPOSANTS DE LA MACHINE



1. Poignée
2. Raccord coudé des instruments
3. Tuyau d'aspiration
4. Logement de la brosse
5. Logement du sac
6. Bouton de réglage de la hauteur de la brosse
7. Brosse
8. Interrupteur marche-arrêt (ON/OFF)
9. Fil électrique de 15 mètres (50 ft)
10. Verrou de la porte/crochet supérieur du fil
11. Porte arrière
12. Crochet inférieur du fil
13. Pédale de déblocage de la poignée
14. Trou d'échappement
15. Roues arrière
16. Plaque d'immatriculation
17. Coupe-circuit de la brosse
(monté sous le logement de la brosse)

MISE EN SERVICE DE LA MACHINE

1. Vérifiez soigneusement si le carton n'est pas endommagé. Signalez immédiatement toute détérioration au transporteur.

REMARQUE: Si l'alignement de la porte arrière s'est déréglé pendant le transport, desserrez les écrous de la charnière, remettez la porte droite et resserrez les écrous.

2. Votre aspirateur est complètement assemblé à la livraison. Un sac en papier a été installé en usine et est prêt à l'emploi.

Le kit des instruments est vendu séparément. Si vous voulez aspirer avec les instruments, reportez-vous à Fonctionnement des instruments.

3. Branchez le fil dans la prise murale (Figure 1).

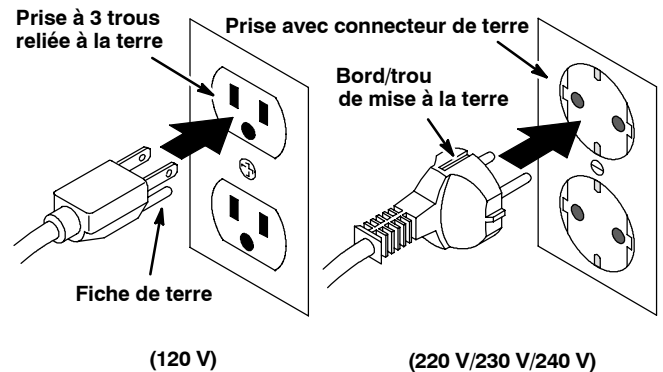


FIG. 1

POUR VOTRE SECURITE: N'utilisez la machine que si le câble est correctement relié à la terre.

POUR VOTRE SECURITE: N'utilisez pas la machine avec une rallonge.

FONCTIONNEMENT DE LA MACHINE

POUR VOTRE SECURITÉ: n'utilisez pas la machine avant d'avoir lu et compris le manuel opérateur.

1. Vérifiez toujours si un sac est en place.
Remplacez le sac si nécessaire.
(Voir Dépose/mise en place du sac)

ATTENTION: N'utilisez pas l'appareil lorsque le sac et/ou les filtres ne sont pas mis en place.

2. Abaissez la poignée pour l'amener sur la position fonctionnement en relâchant la pédale de relâchement de la poignée (Figure 2).

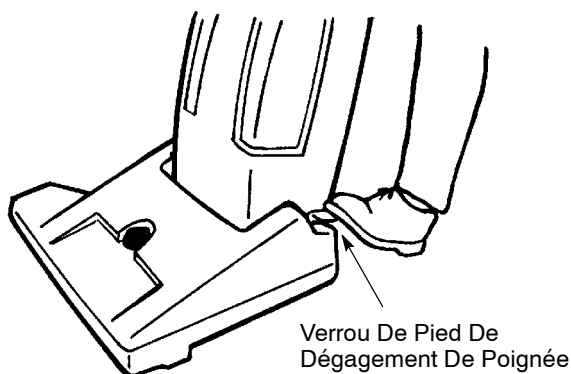


FIG. 2

3. Réglez la hauteur de la brosse pour l'adapter aux poils de la moquette en tournant le bouton de réglage de la hauteur de la brosse qui se trouve sur le logement de la brosse (Figure 3).

REMARQUE: La poignée **DOIT** être désengagée de la position supérieure lorsque vous réglez la brosse sur la hauteur voulue.

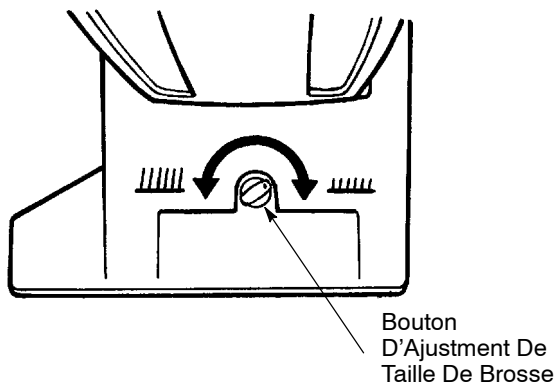


FIG. 3

4. Enclenchez l'interrupteur marche-arrêt (ON/OFF).
5. Aspirez normalement et vérifiez régulièrement si le sac n'est pas plein.

⚠ MISE EN GARDE: Les matières inflammables peuvent causer une explosion ou un incendie. Ne pas ramasser.

6. Pour aspirer sous les bureaux ou d'autres endroits d'accès difficiles, abaissez la poignée pour arrêter et relâchez la pédale de relâchement de la poignée. Ceci empêche d'abaisser davantage la poignée (Figure 4).

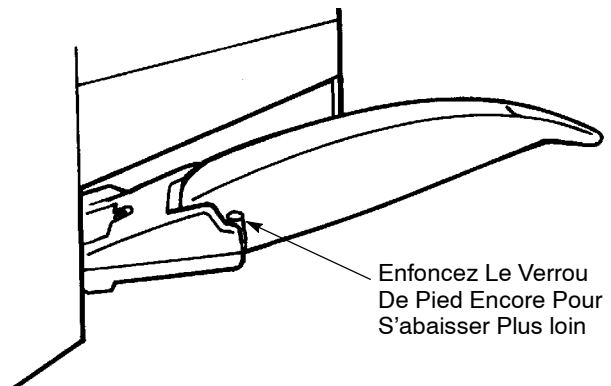


FIG. 4

COUPE-CIRCUIT DE LA BROSSSE

L'aspirateur est équipé d'un coupe-circuit de la brosse. Le coupe-circuit se déclenche dans des conditions de surcharge excessive de la brosse. Vérifiez régulièrement si des fils et des débris ne sont pas emmêlés dans la brosse. Si le coupe-circuit se déclenche, enlevez la cause de l'obstruction et réenclenchez le coupe-circuit en poussant sur le bouton qui se trouve sous le logement de la brosse. Continuez à aspirer normalement (Figure 5).

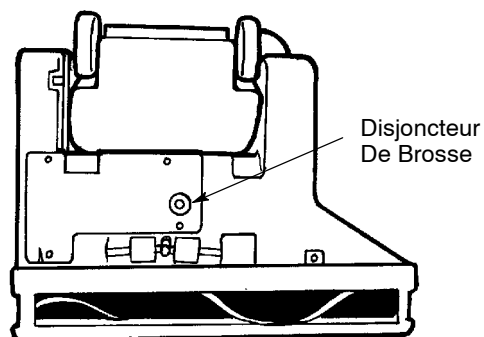


FIG. 5

⚠ MISE EN GARDE: N'utilisez pas la machine avec un cordon d'alimentation endommagé. Ne modifiez pas la prise. Débranchez le cordon d'alimentation avant d'entretenir la machine.

Si le cordon d'alimentation est endommagé ou rompu, il doit être remplacé par le fabricant ou son agent de maintenance ou toute autre personne qualifiée, afin d'éviter tout danger.

SURCHARGE THERMIQUE DU MOTEUR DE L'ASPIRATEUR

La température intérieure du moteur est mesurée constamment par le capteur. Quand la température est trop élevée, le capteur coupe le moteur de l'aspirateur. Vérifiez si le passage de l'air n'est pas entravé dans l'aspirateur. Le capteur est automatiquement réinitialisé quand le moteur est refroidi. Le moteur peut alors être remis en marche.

FUNCTIONNEMENT DES INSTRUMENTS

Le kit des instruments est vendu séparément (**Kit d'instruments #190048**). Ce kit comprend un suceur, une brosse, un instrument pour les garnitures de meubles, un tuyau d'aspiration de 1,5 mètre et un manche d'extension.

1. Gardez toujours l'aspirateur en position verticale lorsque vous utilisez les instruments.
2. Débranchez le tuyau d'aspiration du raccord coudé qui se trouve sur le logement de la poignée.
3. Branchez le tuyau d'aspiration des instruments au raccord coudé et l'instrument de votre choix à l'autre extrémité (Figure 6).

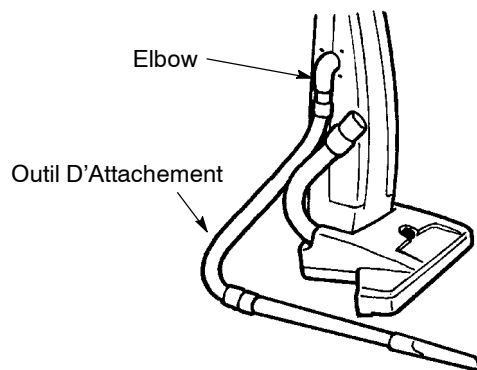


FIG. 6

4. Enclenchez l'interrupteur marche-arrêt et aspirez normalement.

⚠ MISE EN GARDE: Les matières inflammables peuvent causer une explosion ou un incendie. Ne pas ramasser.

DEPOSE/MISE EN PLACE DU SAC

⚠ MISE EN GARDE: Tension dangereuse. Risque de décharge ou d'électrocution. Débranchez la machine avant de procéder à l'entretien.

1. Ouvrez la porte arrière en faisant pivoter de 90° le verrou de la porte/le crochet supérieur du fil. (Figure 7).

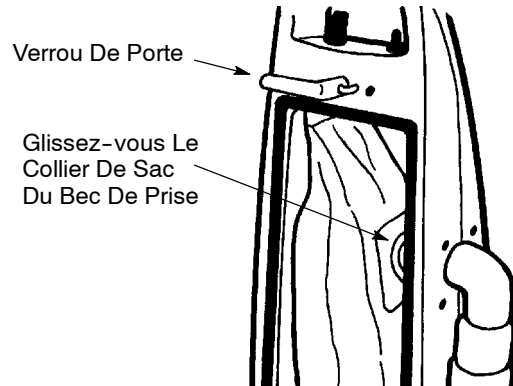


FIG. 7

2. Enlevez le collier du sac du tuyau d'admission.

SAC EN PAPIER: Jetez le sac quand il est plein. NE réutilisez pas les sacs en papier.

SAC EN TISSU: Détachez l'extrémité du sac et videz les débris dans une poubelle. Secouez le sac pour faire partir la poussière et vérifiez si le sac n'est pas déchiré ou troué.

3. Remplacez directement avec un sac en tissu neuf ou vide. Enfoncez le sac sur le tuyau d'admission le plus loin possible.

ENTRETIEN DE LA MACHINE

⚠ MISE EN GARDE: Tension dangereuse. Risque de décharge ou d'électrocution. Débranchez la machine avant de procéder à l'entretien.

ALIMENTER LA CORDE

1. Enroulez toujours le fil autour des crochets plutôt que de l'enrouler sommairement autour de la poignée. Si le fil s'use, remplacez-le immédiatement.
2. Vérifiez régulièrement le soulagement de traction du fil pour vous assurer qu'il ne sort pas du logement.

POUR VOTRE SECURITÉ: Lors de l'utilisation de la machine, Ne tirez pas le cordon près des bords ou des coins vifs. N'étirez pas le cordon. Ne fermez pas de portes sur le cordon. Ne débranchez pas l'appareil en tirant sur le cordon. Éloignez le cordon des surfaces chaudes.

SAC DE VIDE

1. Vérifiez régulièrement si le sac n'est pas plein. Ne laissez pas trop se remplir le sac. Ne réutilisez jamais de sac en papier.
2. Secouez toujours le sac en tissu pour en faire partir la poussière après l'avoir vidé.

FILTRE SECONDAIRE

MODELE STANDARD

1. Nettoyez toutes les semaines le filtre secondaire. Le filtre se trouve sous la zone du sac (Figure 8).

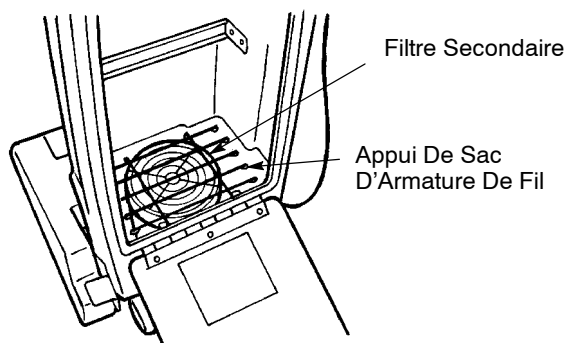


FIG. 8

- a. Enlevez le sac pour accéder au filtre secondaire.
- b. Retirez le filtre du moteur de l'aspirateur et enlevez la poussière en tapant doucement ou en soufflant sur le filtre. NE lavez PAS avec de l'eau ou un solvant.
- c. Quand vous remplacez le filtre, veillez à ce qu'il soit bien fixé au moteur.

240V EMC MODELE

Clean secondary filter weekly. Filter is located below vacuum bag area (Figure 9).

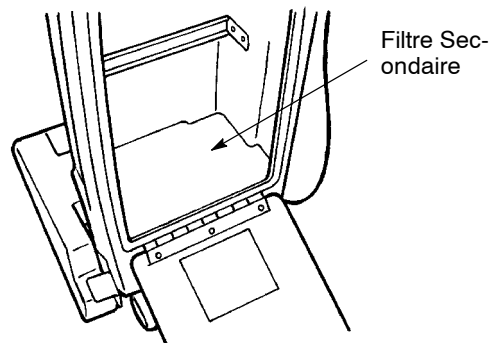


FIG. 9

- a. Enlevez le sac pour accéder au filtre secondaire.
 - b. Retirez le filtre du moteur de l'aspirateur et enlevez la poussière en tapant doucement ou en soufflant sur le filtre. NE lavez PAS avec de l'eau ou un solvant.
2. Remplacez le filtre s'il est usé ou trop sale.

BROSSE ET COURROIE

1. Vérifiez régulièrement si des poils de moquette et des débris ne sont pas emmêlés.
2. Contrôlez régulièrement si les poils de la brosse ne sont pas usés, réglez la brosse de la manière suivante pour allonger au maximum sa durée de vie:
 - a. Enlevez le patin métallique de la brosse du logement de la brosse au moyen du tournevis Philips.
 - b. Enlevez l'assemblage de la brosse. Saisissez la brosse du côté opposé à la courroie et tirez vers l'extérieur.
 - c. Vérifiez si la courroie d'entraînement n'est pas usée et remplacez-la si nécessaire.
 - d. Faites pivoter les assemblages des roulements de 180° et remettez la brosse en place. (Figure 10).

REMARQUE: Les trous des assemblages des roulements sont décentrés et sont pourvus d'étiquettes portant des numéros 1 et 2 aux extrémités qui vous aident lorsque vous faites tourner les assemblages. Les extrémités des assemblages de roulements portant le numéro 2 doivent être dirigées vers l'extérieur quand la brosse est remise en place.

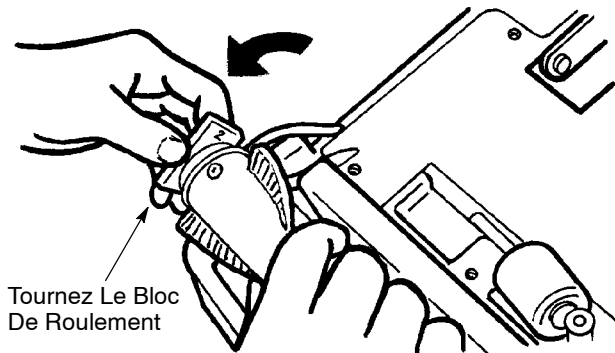


FIG. 10

- e. Remettez le patin métallique de la brosse.

AUTRES CONSIGNES

1. Vérifiez régulièrement si le tuyau d'aspiration n'est pas troué, détaché ou obstrué.
2. Contrôlez régulièrement si le joint de la porte arrière ne présente pas de fuite.
3. Nettoyez l'extérieur de l'aspirateur avec un chiffon humide et du savon doux.

VACUUM MOTOR

Toutes les 250 heures de service, vérifiez le degré d'usure des balais au charbon du moteur de l'extracteur. Remplacez les balais s'ils mesurent 3/8 in (1 cm) ou moins. Contactez le centre de dépannage pour faire vérifier les balais au charbon.

ENTREPOSAGE DE LA MACHINE

Avant d'entreposer la machine, enroulez convenablement le câble autour du crochet, nettoyez tous les filtres et mettez un nouveau sac. Entreposez la machine à l'abri de l'humidité.

⚠ MISE EN GARDE: N'utilisez pas la machine en extérieur ou sur des surfaces humides. N'exposez pas à la pluie. Entreposez à l'intérieur.

PIECES DE STOCK RECOMMANDEES

Reportez-vous à la section Liste des pièces du manuel pour les articles de stock recommandés. Les articles de stock sont clairement identifiés à l'aide d'un point précédant la description de la pièce. Voir l'exemple ci-dessous :

26	1017380	(00000000-) • Hose, Drain, Assy, 1.5d X 29.5l, Blk,Flx
27	1008639	(00000000-) • Drain Assy
28	1019563	(00000000-) • Strap, Drain Cap
29	1008637	(00000000-) • O Ring, 1.48" Id, 1.76" Od

DEPISTAGE DES PANNES

PROBLEME	CAUSE	REMEDE
La machine ne fonctionne pas.	Interrupteur marche-arrêt sur arrêt.	Mettez l'interrupteur sur marche.
	Aspirateur pas branché dans prise murale.	Branchez fil dans prise murale.
	Fil électrique défectueux.	Contactez le service d'entretien.
	Interrupteur marche-arrêt défectueux.	Contactez le service d'entretien.
	Câblage défectueux.	Contactez le service d'entretien.
	Coupe-circuit désenclenché.	Réenclenchez le coupe-circuit et utilisez un autre circuit électrique.
Le moteur de l'extracteur ne fonctionne pas.	Température trop élevée.	Localisez l'obstruction du passage d'air. Laissez le moteur refroidir 20 minutes.
La brosse ne fonctionne pas.	Coupe-circuit de la brosse désenclenché.	Déterminez la cause du désenclenchement du coupe-circuit. Puis, réenclenchez le coupe-circuit
Aspiration insuffisante.	Sac plein.	Remplacez sac.
	Sac obstrué.	Enlevez la cause de l'obstruction.
	Filtre secondaire obstrué.	Contactez le service d'entretien.
	Fuite du joint de la porte arrière.	Remplacez joint.
Ramassage de la brosse insuffisant.	Hauteur de la brosse mal réglée.	Régalez hauteur de la brosse.
	Matières coincées dans la brosse.	Enlevez les matières coincées.
	Poils de la brosse usés.	Voir ENTRETIEN DE LA MACHINE; Brosse
	Courroie d'entraînement détendue	Contactez le service d'entretien.

SPECIFICATIONS

MODELE	V-WA-26 / V-WA-66
LONGUEUR	480 mm (19 in)
LARGEUR	660 mm (26 in)
HAUTEUR	1120 mm (44 in)
POIDS	20.4Kg (44 lbs)
MOTEUR DE LA BROSSE	120V, 0.125 hp, 1A, 1,800 rpm
	220V, 0.15kW, .5A, 1800 rpm
MOTEUR DE L'ASPIRATEUR	120V, 1.5 hp, 9.8 amps
LONGUEUR CABLE	15m (50 ft) Mesure-16/3
TRACE DE BALAYAGE	610 mm (24 in)
SAC	10 L (.33 bushel)
NIVEAU SONORE AU NIVEAU DE L'OREILLE DE L'OPERATEUR SUR SOLS INTERIEURS CARRELES	74dB(A)