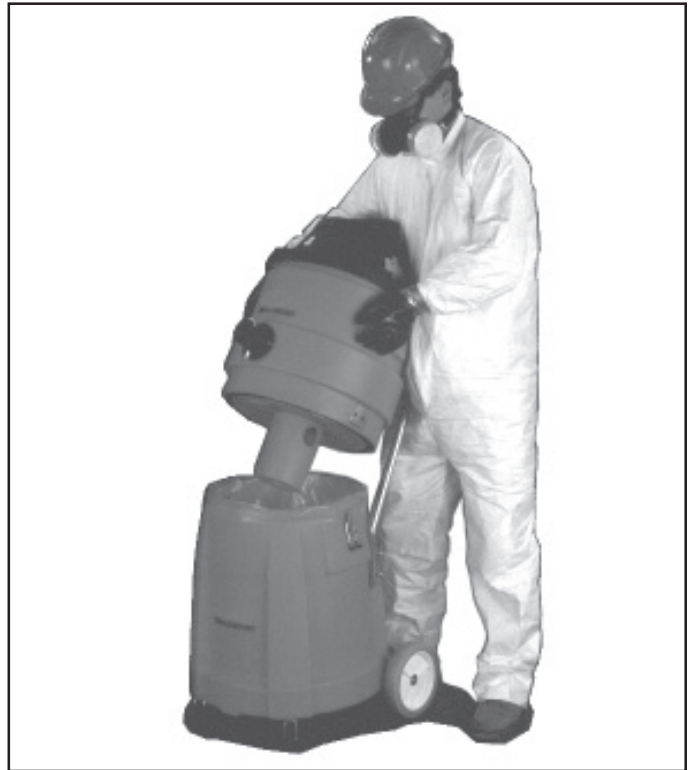


Minuteman[®]

X829 H.E.P.A Vacuum Series



These durable tanks allow the operator to handle cleaning with greater speed, efficiency and safety.



The X829 Wet/Dry Vacuum with UniAdapter™ forms a leakproof seal.



The X829 Vacuum Series offers safe, affordable hazardous dust removal in five practical configurations with a patented H.E.P.A. filter safety interlocking system. Available in 4, 6, 15 and 20 gallon tank sizes.

Minuteman X829 Series - Economical, Safe, Versatile.

Dry or Wet, Select the Minuteman X829 Series Vacuum that Best Suits Your Tough Jobs.

Simple, easy to use and available in a wide variety of sizes, Minuteman's X829 vacuum series incorporates the latest in technological achievements. Critical cleaning jobs are virtually risk-free. Available in 4, 6, 15 and 20 gallon tank sizes, these rugged vacuums are virtually indestructible with an innovative polyethylene tank that is noncorrosive and dent-proof. This durable tank has a unique design which allows the operator to handle cleaning with greater speed, efficiency and safety.

Big on performance, the X829 Vacuum Series exceeds government and military standards on particle control by 2.5 times. This means that the X829 Series captures more smaller particles than other competitive H.E.P.A. filter models. All X829 Series vacuums are equipped with a COPOLM® (Copoly Laminated Media) **H.E.P.A. filter that is 99.99% efficient at 0.12 microns.** Minuteman filters are more resistant to puncture, tears, leaks, abrasions and damage from moisture.

EXCLUSIVE FEATURE:

Patented Microswitch

Minuteman's H.E.P.A. filter features a patented safety interlock system with a unique microswitch. Mounted internally, the H.E.P.A. filter protects both the operator and the motor from contamination and prevents damage to the H.E.P.A. filter while the machine is being transported. When operated, if the H.E.P.A. filter is not properly aligned and in place, the vacuum will not start, protecting both the operator and the environment. The tiny microswitch is activated only when this alignment is achieved.

Dry or wet, recovery is a safe, easy operation with Minuteman's comprehensive tiered filter system. Wet/dry unit illustrated.

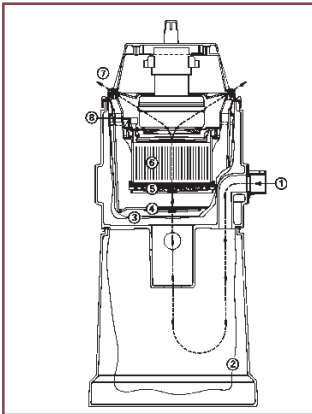
1. Intake
2. Disposable Collector Bag
3. Filter Protector
4. Cloth Filter
5. Impact Filter
6. H.E.P.A. Filter
7. Clean Exhaust
8. Micro Safety Switch



Patented self-sealing intake ensures maximum suction and easy flexibility.



Optional tools are available with a wide variety of accessories for virtually all cleaning applications.



Maximum Suction Power

Another of Minuteman's unique patented features, the self-sealing intake ensures a positive vacuum seal while still allowing the hose to swivel for maximum cleaning convenience. The sure-grip quick release mechanism makes it easy to connect and remove hoses. For flexibility, the intake accommodates 1-1/4", 1-1/2" hoses making it adaptable to virtually any application.

1:1 Adapter/Water Shut-off:

Similar to the X829 Dry Vacuums, the Wet/Dry Vacuum also features a unitized polyethylene adapter, UniAdapter™, that quickly attaches to the machine forming a leakproof seal with the vacuum tank below.

The Patented UniAdapter™ is rotational molded for rugged durability so it won't dent, corrode or rust. The UniAdapter™ fits existing polyethylene, steel and stainless steel H.E.P.A. models converting them to wet/dry cleaning. The one piece design makes wet recovery safer and easier.

Top Filling Doubles Cleaning Capacity

In addition to increasing safety, the UniAdapter™ also helps boost the X829's cleaning efficiency. Its top filling design more than doubles the vacuum's cleaning capacity to accommodate large disposable 6 mil plastic bags, making emptying less frequent, more convenient and safer. All X829 cloth filters are 100% polyester, nonwoven and are "dimpled" giving it 50% more filtration than a standard, smooth bag.

Tool Kit

Optional Tool Kit includes: 10 foot crush-proof hose, wand, crevice tool, round dust brush, upholstery tool, brush tool and squeegee floor tool assembly.

SPECIFICATIONS FOR THE X829 SERIES

Number	Wet Capacity	Dry Capacity	Tank Size	Decibel Rating	Air Flow	Waterlift	Weight
C82904-01	2.5 gal (9.5 ltr)	.21 cu. ft (.006 m ³)	4 gal (15 ltr)	70 dba	95 CFM(2.7m ³ /min)	85" (2160 mm)	26 lbs (11 kg)
C82906-01	4.5 gal (17 ltr)	.46 cu. ft (.013 m ³)	6 gal (22 ltr)	70 dba	95 CFM(2.7m ³ /min)	85" (2160 mm)	27 lbs (12 kg)
C82915-05	N/A (Dry Only)	.82 cu. ft (.023 m ³)	15 gal (57 ltr)	72 dba	110 CFM(3.1m ³ /min)	105" (2670 mm)	67 lbs (30 kg)
C82915-06	13 gal (49 ltr)	.82 cu. ft (.023 m ³)	15 gal (57 ltr)	72 dba	110 CFM(3.1m ³ /min)	105" (2670 mm)	85 lbs (38 kg)
C82920-06	19 gal (72 ltr)	.82 cu. ft (.037 m ³)	20 gal (76 ltr)	72 dba	110 CFM(3.1m ³ /min)	105" (2670 mm)	87 lbs (39 kg)

All X829 models are also available with 240 volt power supply.

*Specifications subject to change without notice.

Minuteman®

World Headquarters
Minuteman International, Inc.
111 South Rohlwing Road
Addison, IL 60101-4244
Telephone: (630) 627-6900
Fax (630) 627-1130

Minuteman Canada, Inc.
2210 Drew Road
Mississauga, Ontario L5S 1B1
Telephone: (905) 673-3222
FAX: (905) 673-5161

