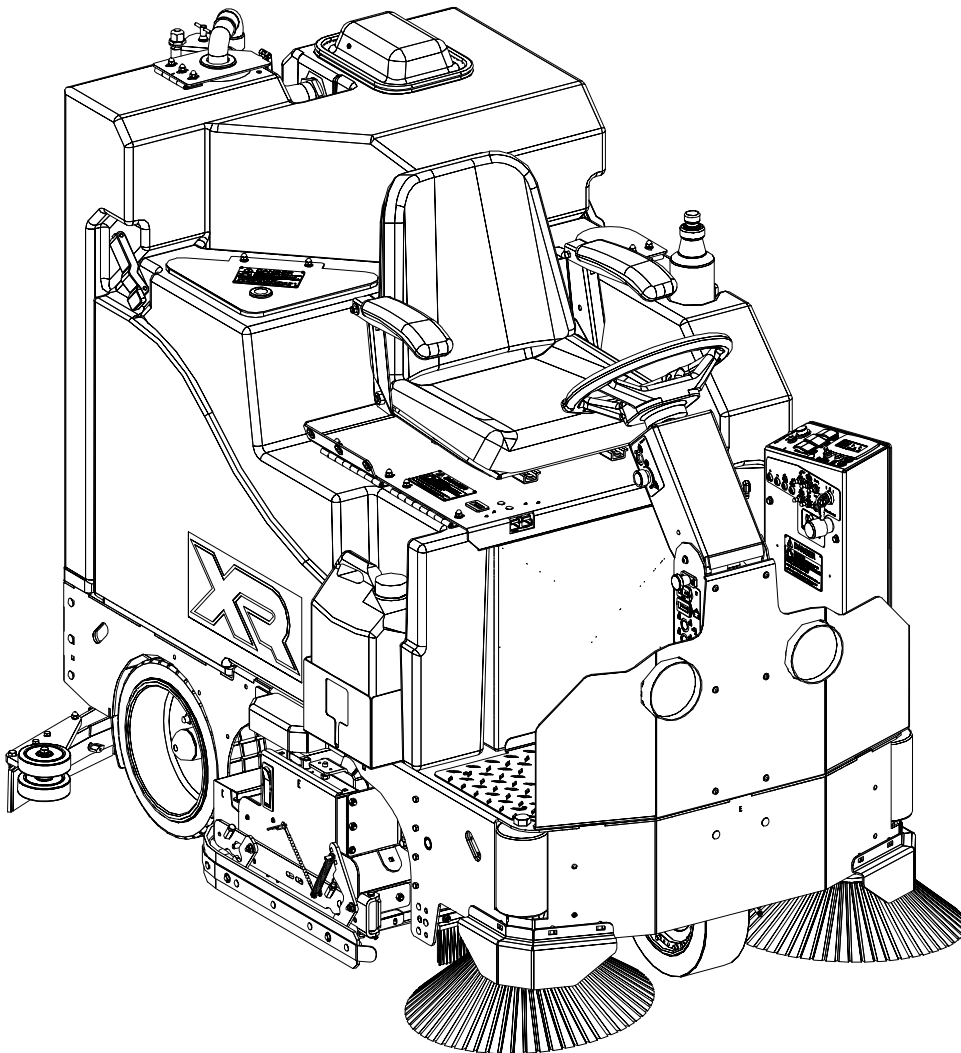




Parts Manual (EN)



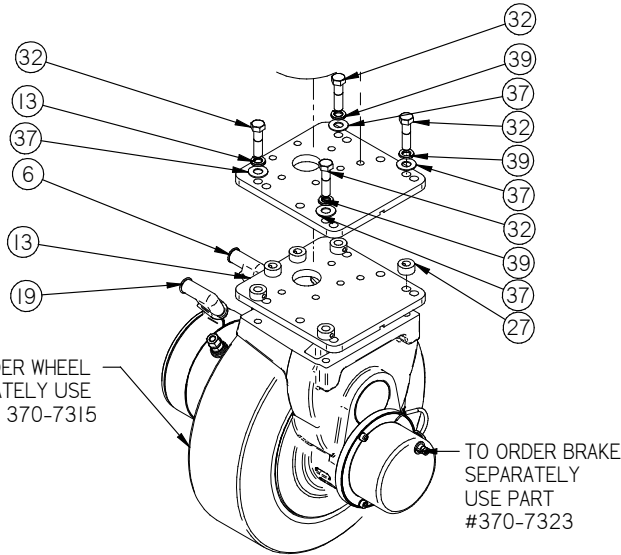
Read the Operators Manual before using the machine.



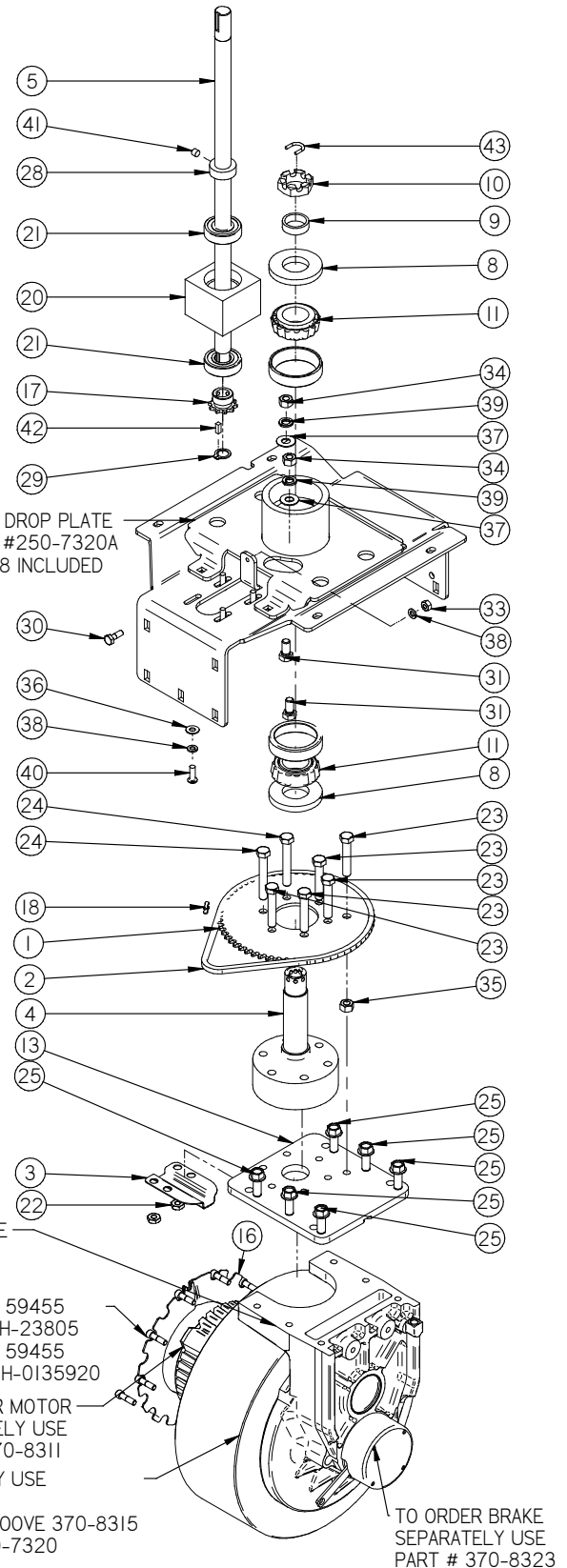
Read the Safety Messages before servicing machine.

Front Wheel Drive.....	4
Side Brooms (Optional)	6
Front Wheel and Side Brooms	8
Disk Decks - 34 & 40 Inch	10
Disk Decks - 45 Inch.....	12
Disc Shrouds	14
Cylindrical Wiper.....	15
Old Style Cylindrical Wiper	16
Cylindrical Door	17
Cylindrical Decks	18
Attaching Decks.....	20
Squeegee Trail Arm	22
46 Inch Squeegee	24
53 Inch Squeegee	26
60 Inch Squeegee	28
Squeegee Trail Arm and Rear Axle	30
Vac Motors & Vac Box - Serial Number #63205 and Greater.....	32
Vac Motors & Vac Box - Serial Number #63205 and Greater.....	34
Vac Motors & Solution Hoses 63204 and Lower	36
Dual Vac Motors - Serial Number #63204 and Lower	38
Solution Tank - Serial Number #77710 and Higher	40
Recovery Tank - Serial Number #77710 and Higher	42
Solution/Recovery Tank 63205 to 77709.....	44
Solution/Recovery Tank - Serial 63204 and Lower.....	46
Tank Lid	48
Tank Baffle.....	50
Tank Mounting	52
Stainless Solution Tank (Optional).....	54
Stainless Recovery Tank (Optional)	56
Standard Batteries and Seat	58
Industrial Battery and Seat (Optional)	60
Central Command	62
Steering Tower.....	64
Central Command and Steering Tower	66
Overhead Guard (Optional).....	68
SUDS System Industrial Battery (Optional).....	70
Suds System (Optional) - Serial Number #77709 and Lower	72
Suds System (Optional) - Serial Number #77710 and Higher.....	74
Vac Filter Box - Serial Number #63205 and Higher.....	75
Side Doors (Optional).....	76
Side Doors (Optional).....	77
Water Jet Kit (Optional)	78
Vac Wand Kit (Optional)	79
Common Wear Parts	80
Common Wear Parts	81

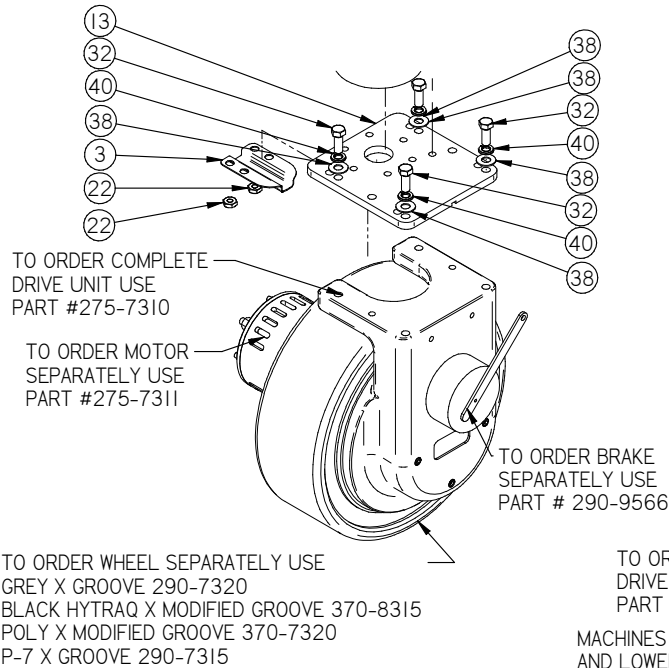
FOR MACHINES WITH A SERIAL NUMBER 52320 AND LOWER USE THIS FRONT WHEEL DRIVE



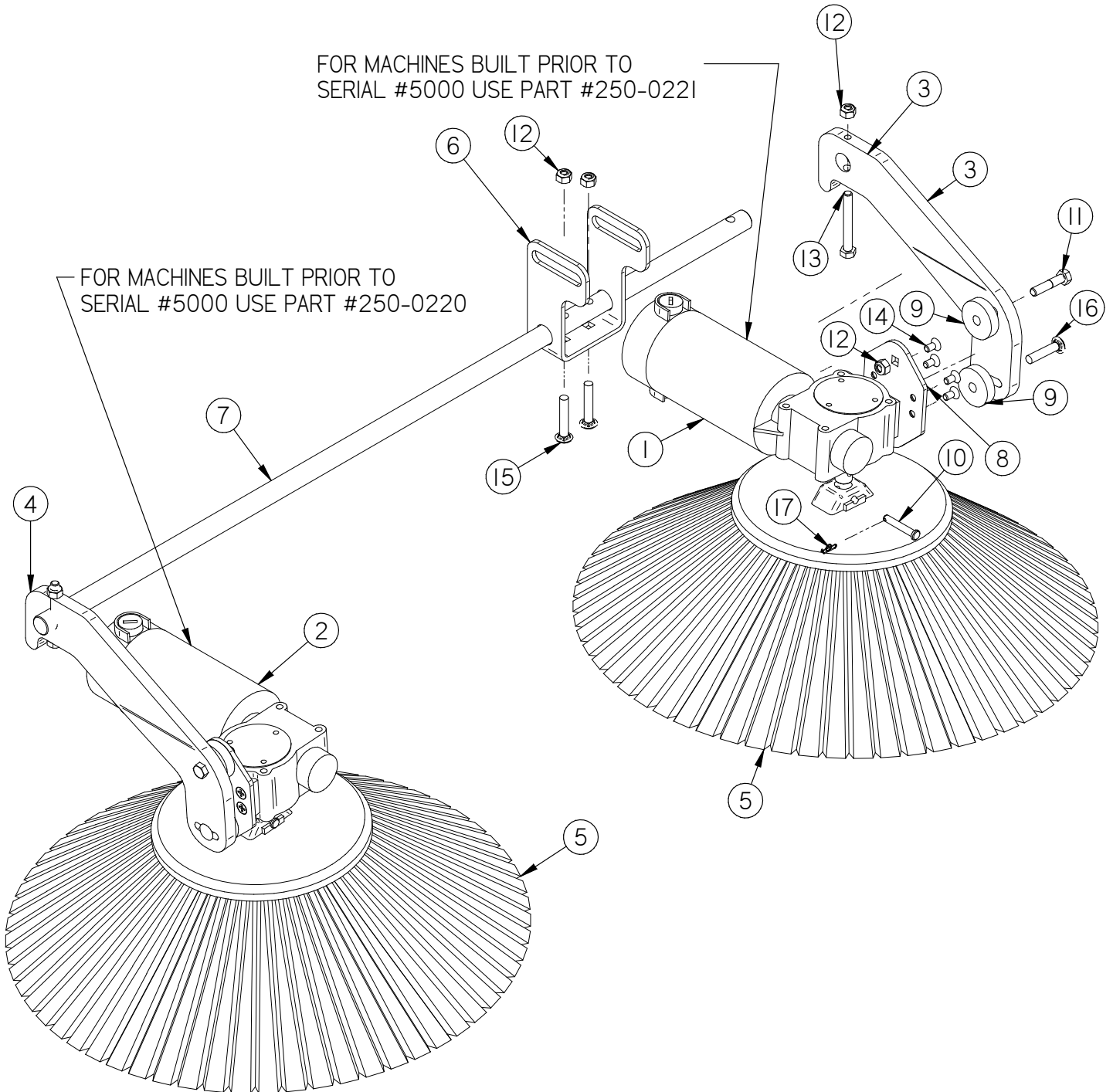
FOR MACHINES WITH A SERIAL NUMBER 59456 AND HIGHER USE THIS FRONT WHEEL DRIVE



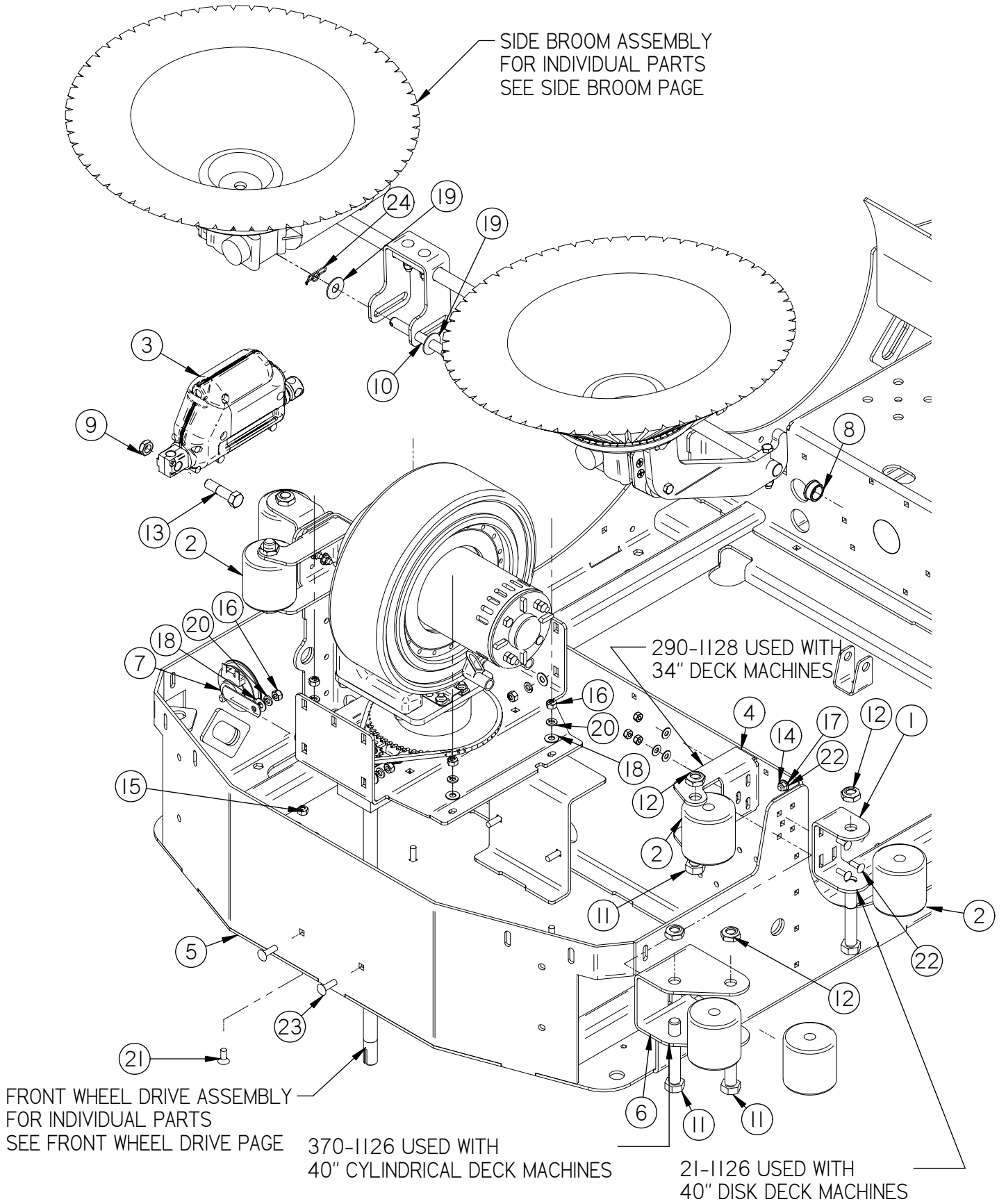
FOR MACHINES WITH A SERIAL NUMBER BETWEEN # 52321 AND # 59455 USE THIS FRONT WHEEL DRIVE



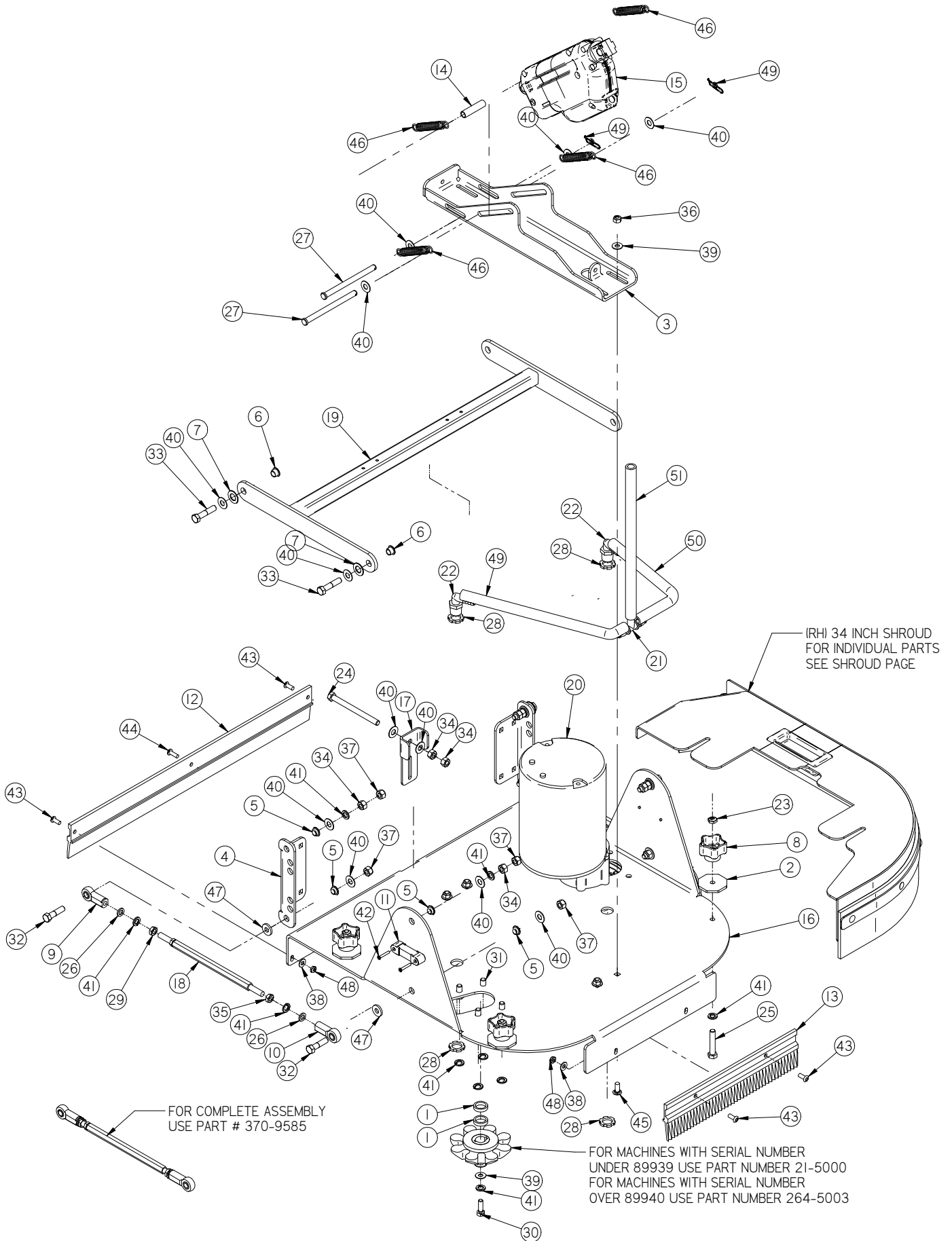
Item	Part No.	Part Description	Qty
1	250-7314	60 TOOTH STEERING SPROCKET	1
2	250-7327	STEERING CHAIN	1
3	250-7328	WIRE GUIDE	1
4	250-7332	STEERING SPINDLE	1
5	275-7120	STEERING SHAFT, LOWER	1
6	290-2780	TERMINAL BOOT, BLACK	1
7	290-9557	WHEEL DRIVE ASS'Y	1
8	37-7319	STEERING SHAFT SEAL	2
9	37-7320	PRE LOAD SLEEVE	1
10	37-7321	SLOTTED NUT, 2.0 - 12	1
11	370-7317	TAPERED ROLLER BEARING	2
12	370-7321	PRE LOAD SLEEVE	1
13	370-7326	PIVOT PLATE	2
14	370-7332	1.25" DIA. STEERING SPINDLE	1
15	370-8374	BEARING SEAL	1
16	370-9557	DRIVE GUARD	2
17	5-826	10 TOOTH SPROCKET	1
18	5-831	MASTER LINK	1
19	8-278	TERMINAL BOOT, RED	1
20	8-723	BEARING BLOCK	1
21	8-723B	BEARING	2
22	H-0171004	JNYL 3/8- 24 SS	2
23	H-0172949	HCS 3/8"- 24 X 2" SS FULL THREADED	5
24	H-0172951	HCS 3/8"- 24 X 2-1/2" SS FULL THREADED	2
25	H-11115680	FB CASHD M10-1.5 X 30mm	6
26	H-23805	SHCS 1/4-28 X 7/8" GRADE 8 ALLOY	18
27	H-33372	SHAFT COLLAR, 3/8" ID	6
28	H-33376	SHAFT COLLAR, 3/4" ID X 9/16 LG	1
29	H-68013	SNAPRING 5/8"	1
30	H-70003	HCS 1/4"-20 X 3/4" SS	1
31	H-70103	HCS 3/8"-16 X 3/4" SS	2
32	H-70109	HCS 3/8"- 16 X 1-1/2" SS	4
33	H-70710	HN 1/4"- 20 SS	1
34	H-70712	HN 3/8"-16 SS	2
35	H-70732	HN 3/8"- 24 SS	1
36	H-71013	FW 1/4 ID X 5/8 OD SS	4
37	H-71017	FW 3/8 ID X 7/8 OD SS	6
38	H-71063	LW 1/4" SS	5
39	H-71067	LW 3/8" SS	6
40	H-73754	BHSCS 1/4 - 20 X 3/4" SS	4
41	H-81983	5/16" X 1/4" KURL SET SCREW	1
42	H-K1432	3/16" X 1/2" KEY	1
43	M-938IT24	S-HOOK	1
44	M-9452K66	.125 X 2.25 X 2.5 O-RING,par	1



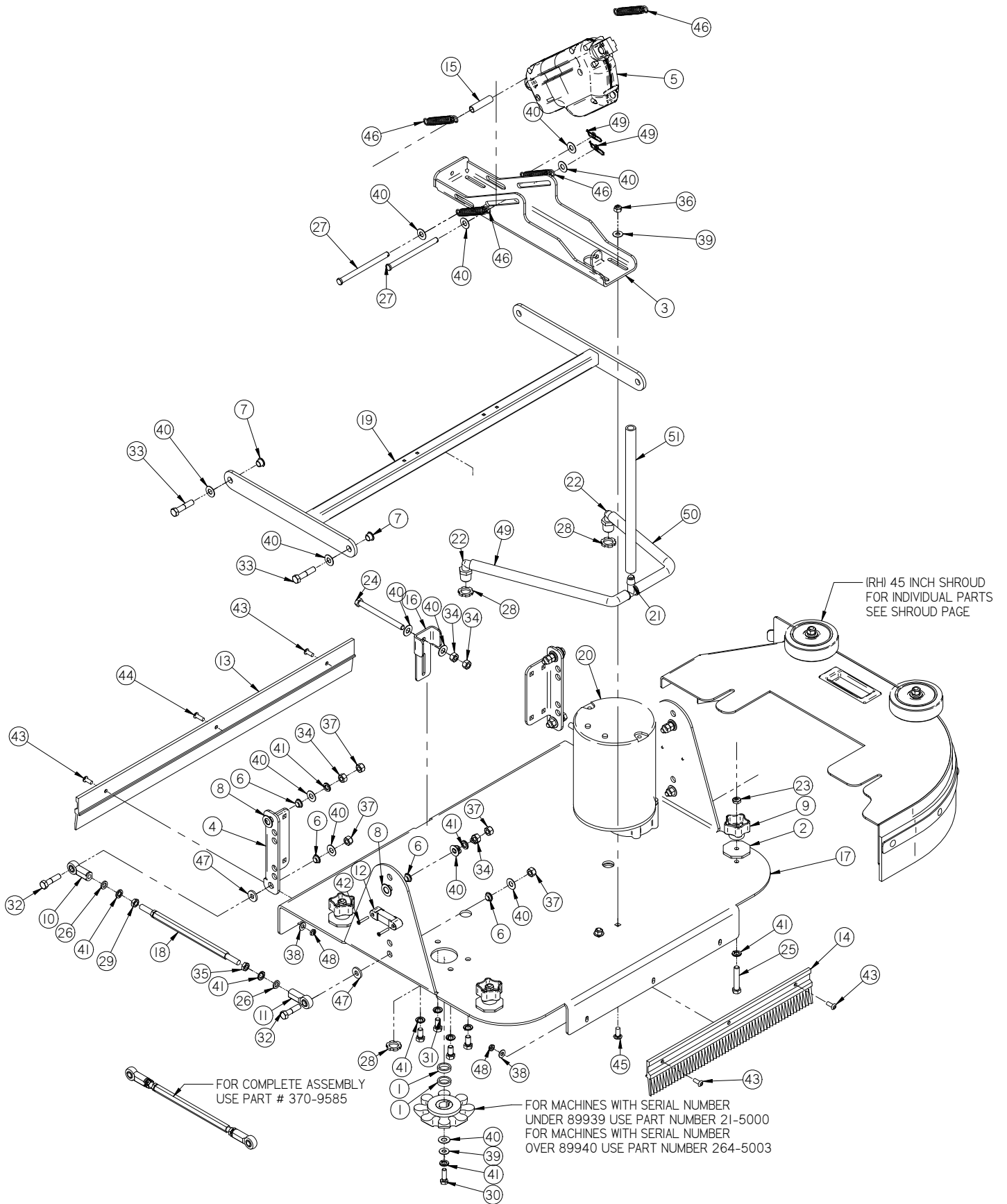
Item	Part No.	Part Description	Qty.
1	250-0222	(LH) SIDE BROOM MOTOR, 36V 106 RPM (44:1)	1
2	250-0223	(RH) SIDE BROOM MOTOR, 36V 106 RPM (44:1)	1
3	250-4420	SIDE BROOM LIFT ARM (LH)	1
4	250-4421	SIDE BROOM LIFT ARM (RH)	1
5	370-402	19" SIDE BROOM POLYPROPYLENE	2
6	370-4422	SIDE BROOM PIVOT	1
7	370-4620	SIDE BROOM AXLE SHAFT	1
8	390-1170	SIDE BROOM MTG PLATE	2
9	4-446	GROMMET-3/8 ID X 1-1/2 OD X .375	4
10	H-0156730	1/4" X 1 1/2" CLEVIS PIN	2
11	H-70059	HCS 5/16"- 18 X 1-1/2"	2
12	H-70861	NYLOK 5/16" - 18 SS	8
13	H-71183	HCS 5/16"- 18 X 2-1/2" FULL THREAD SS	2
14	H-72704	FHP 1/4"- 20 X 1/2" SS	8
15	H-74401	CB 5/16"- 18 X 1-3/4" SS	2
16	H-74432	CB 5/16"- 18 X 1-1/2" SS	2
17	H-RUE8	RUE RING COTTER	2



Item	Part No.	Part Description	Qty.
1	21-1126	ROLLER BRACKET	2
2	21-1127	ROLLER	6
3	250-2240	2" STROKE 36V ACTUATOR 450 LB LOAD	1
4	290-1128	LOWER ROLLER BRACKET	2
5	370-1100	MAIN FRAME	1
6	370-1126	DOUBLE ROLLER BRACKET (40")	1
7	370-2940	HORN	1
8	4-4230	3/4" X 1" X 1/2" FLG BEARING	2
9	H-0129159	JNYL, 1/2"-13, 18-8 SS	1
10	H-0156777	1/2" X 4" CLEVIS PIN	1
11	H-11319	HB 5/8"- 11 X 4"	6
12	H-37038	JNYL 5/8"- 11	6
13	H-70211	HCS 1/2"-13 X 2.0" SS	1
14	H-70860	NYLOK 1/4"- 20 SS	9
15	H-70861	NYLOK 5/16" - 18 SS	1
16	H-70861	NYLOK 5/16" - 18 SS	8
17	H-71013	FW 1/4 ID X 5/8 OD SS	8
18	H-71015	FW 5/16 ID X 3/4 OD SS	7
19	H-71021	FW 1/2 ID X 1-1/4 OD SS	2
20	H-71065	LW 5/16" SS	8
21	H-73907	FHSCS 5/16"- 18 X 3/4" SS	1
22	H-74419	CB 1/4"- 20 X .75" SS	13
23	H-74430	CB 5/16"- 18 X 1" SS	8
24	H-RUE22	1/2" RUE RING COTTER	1



Item	Part No.	Part Description	Qty.
1	150-5005	DRIVER SPACER	4
2	250-1084	SHROUD ADJUSTMENT KNOB	4
3	250-1103	DISK SCRUB DECK BRACKET	1
4	250-1265	SCRUB ARM BRACKET	2
5	290-1233	3/8" ID, 1/2" OD, 1/4" LG BEARING	8
6	290-1245	3/8" ID, 1/2" OD, 3/8" LG, FLANGE BEARING	4
7	290-1247	BRONZE THRUST BEARING, .50" ID X 1.0" OD X 1/16" TH	4
8	290-5787	STAR KNOB, 3/8-24 THREAD	4
9	290-9584	ROD END, 3/8-24 LEFT HAND THREAD	2
10	290-9585	ROD END, 3/8-24 RIGHT HAND THREAD	2
11	300-4030	LEVEL	2
12	370-0015	FRONT DISK DECK CURTAIN	1
13	370-0016	REAR DISK DECK CURTAIN	1
14	370-1081	SLEEVE BEARING	1
15	370-2210	4" STROKE 36V ACTUATOR 450 LB LOAD	1
16	370-4020	DISK SCRUB DECK	1
17	370-4022	DISK DECK HEIGHT ADJUSTMENT	1
18	370-9584	ADJUSTABLE LATERAL ARM BODY	2
19	370-9586	LATERAL ARM (DISK)	1
20	390-2222	MOTOR 36V 1.0 HP X 200 RPM	2
21	5-446	1/2 " PLASTIC BARB TEE	1
22	5-447	1/2 NPT X 1/2" BARB ELBOW	2
23	H-0171004	JNYL 3/8- 24 SS	4
24	H-0172940	HCS 3/8"- 24 X 4.5" FULL THREAD SS	1
25	H-0172949	HCS 3/8"- 24 X 2" SS FULL THREADED	4
26	H-02949	3/8 ID X 5/8 OD SHIM	4
27	H-04804	3/8" X 5" CLEVIS PIN	2
28	H-07005	1/2" NPT LOCKNUT	4
29	H-36956	LH HX JAM .375-24 SS	2
30	H-70055	HCS 5/16"- 18 X 1" SS	2
31	H-70103	HCS 3/8"-16 X 3/4" SS	8
32	H-70109	HCS 3/8"- 16 X 1-1/2" SS	4
33	H-70110	HCS 3/8"- 16 X 1-3/4" SS	4
34	H-70712	HN 3/8"-16 SS	6
35	H-70832	HX JAM .375-24 SS	2
36	H-70861	NYLOK 5/16" - 18 SS	4
37	H-70862	NYLOK 3/8"-16 SS	8
38	H-71013	FW 1/4 ID X 5/8 OD SS	5
39	H-71015	FW 5/16 ID X 3/4 OD SS	6
40	H-71017	FW 3/8 ID X 7/8 OD SS	20
41	H-71067	LW 3/8" SS	22
42	H-72645	FHP #8-32 X 1.0"	4
43	H-73753	BHSCS 1/4 - 20 X 5/8" SS	4
44	H-73754	BHSCS 1/4 - 20 X 3/4" SS	1
45	H-74429	CB 5/16"- 18 X 3/4" SS	4
46	H-96544	SPRING, 4-1/8" LG X 9/16" OD (42E)	4
47	H-98025	FW 3/8" GRADE 8	4
48	H-NJ04C	JNYL 1/4" - 20 SS	5
49	H-RUE14	3/8" RUE RING COTTER	2
50	T-050R1400	1/2" ID X 14" LG WIRE REINF. CLEAR TUBE	2
51	T-050R2100	1/2" X 21" LG. REINFORCED HOSE	1

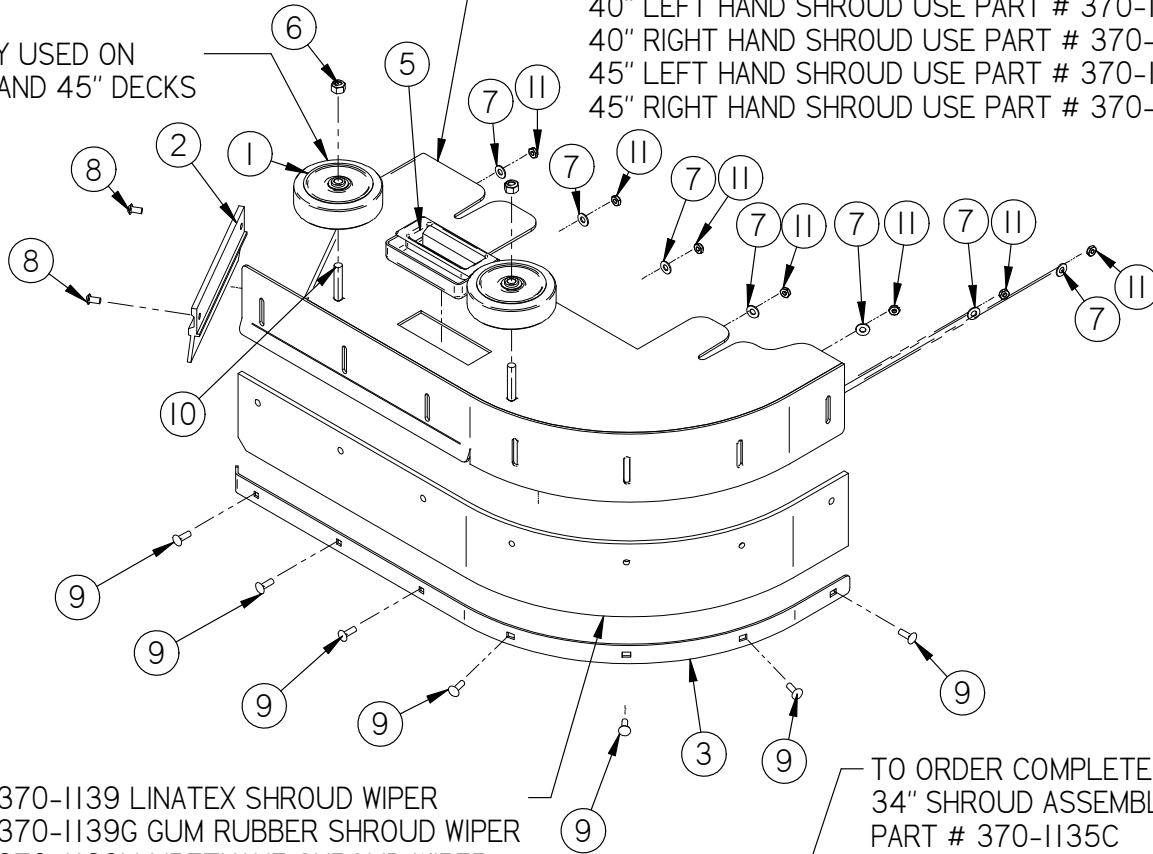


Disk Decks - 45 Inch

Item	Part No.	Part Description	Qty.
1	150-5005	DRIVER SPACER	4
2	250-1084	SHROUD ADJUSTMENT KNOB	4
3	250-1103	DISK SCRUB DECK BRACKET	1
4	250-1265	SCRUB ARM BRACKET	2
5	250-2210	4" STROKE 36V ACTUATOR 1000 LB LOAD	1
6	290-1233	3/8" ID, 1/2" OD, 1/4" LG BEARING	8
7	290-1245	3/8" ID, 1/2" OD, 3/8" LG, FLANGE BEARING	4
8	290-1247	BRONZE THRUST BEARING, .50" ID X 1.0" OD X 1/16" TH	4
9	290-5787	STAR KNOB, 3/8-24 THREAD	4
10	290-9584	ROD END, 3/8-24 LEFT HAND THREAD	2
11	290-9585	ROD END, 3/8-24 RIGHT HAND THREAD	2
12	300-4030	LEVEL	2
13	370-0022	FRONT DISK DECK CURTAIN	1
14	370-0023	REAR DISK DECK CURTAIN	1
15	370-1081	SLEEVE BEARING	1
16	370-4022	DISK DECK HEIGHT ADJUSTMENT	1
17	370-4023	45" DISK SCRUB DECK	1
18	370-9584	ADJUSTABLE LATERAL ARM BODY	2
19	370-9589	LATERAL ARM (DISK)	1
20	390-2222	MOTOR 36V 1.0 HP X 200 RPM	2
21	5-446	1/2" PLASTIC BARB TEE	1
22	5-447	1/2 NPT X 1/2" BARB ELBOW	2
23	H-0171004	JNYL 3/8- 24 SS	4
24	H-0172940	HCS 3/8"- 24 X 4.5" FULL THREAD SS	1
25	H-0172949	HCS 3/8"- 24 X 2" SS FULL THREADED	4
26	H-02949	3/8 ID X 5/8 OD SHIM	4
27	H-04804	3/8" X 5" CLEVIS PIN	2
28	H-07005	1/2" NPT LOCKNUT	4
29	H-36956	LH HX JAM .375-24 SS	2
30	H-70055	HCS 5/16"- 18 X 1" SS	2
31	H-70103	HCS 3/8"-16 X 3/4" SS	8
32	H-70109	HCS 3/8"- 16 X 1-1/2" SS	4
33	H-70110	HCS 3/8"- 16 X 1-3/4" SS	4
34	H-70712	HN 3/8"-16 SS	6
35	H-70832	HX JAM .375-24 SS	2
36	H-70861	NYLOK 5/16" - 18 SS	4
37	H-70862	NYLOK 3/8"-16 SS	8
38	H-71013	FW 1/4 ID X 5/8 OD SS	5
39	H-71015	FW 5/16 ID X 3/4 OD SS	6
40	H-71017	FW 3/8 ID X 7/8 OD SS	20
41	H-71067	LW 3/8" SS	22
42	H-72645	FHP #8-32 X 1.0"	4
43	H-73753	BHSCS 1/4 - 20 X 5/8" SS	4
44	H-73754	BHSCS 1/4 - 20 X 3/4" SS	1
45	H-74429	CB 5/16"- 18 X 3/4" SS	4
46	H-96544	SPRING, 4-1/8" LG X 9/16" OD (42E)	4
47	H-98025	FW 3/8" GRADE 8	4
48	H-NJ04C	JNYL 1/4" - 20 SS	5
49	H-RUE14	3/8" RUE RING COTTER	2
50	T-050R1400	1/2" ID X 14" LG WIRE REINF. CLEAR TUBE	2
51	T-050R2100	1/2" X 21" LG. REINFORCED HOSE	1

ONLY USED ON
40" AND 45" DECKS

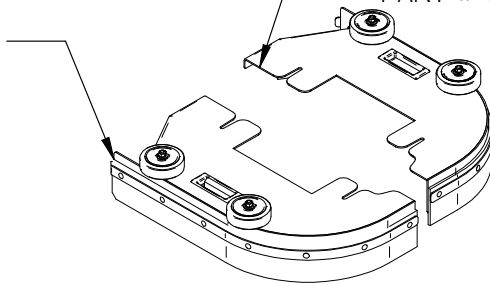
34" LEFT HAND SHROUD SHOWN PART # 370-1136
 34" RIGHT HAND SHROUD USE PART # 370-1135
 40" LEFT HAND SHROUD USE PART # 370-1138
 40" RIGHT HAND SHROUD USE PART # 370-1137
 45" LEFT HAND SHROUD USE PART # 370-1142
 45" RIGHT HAND SHROUD USE PART # 370-1141



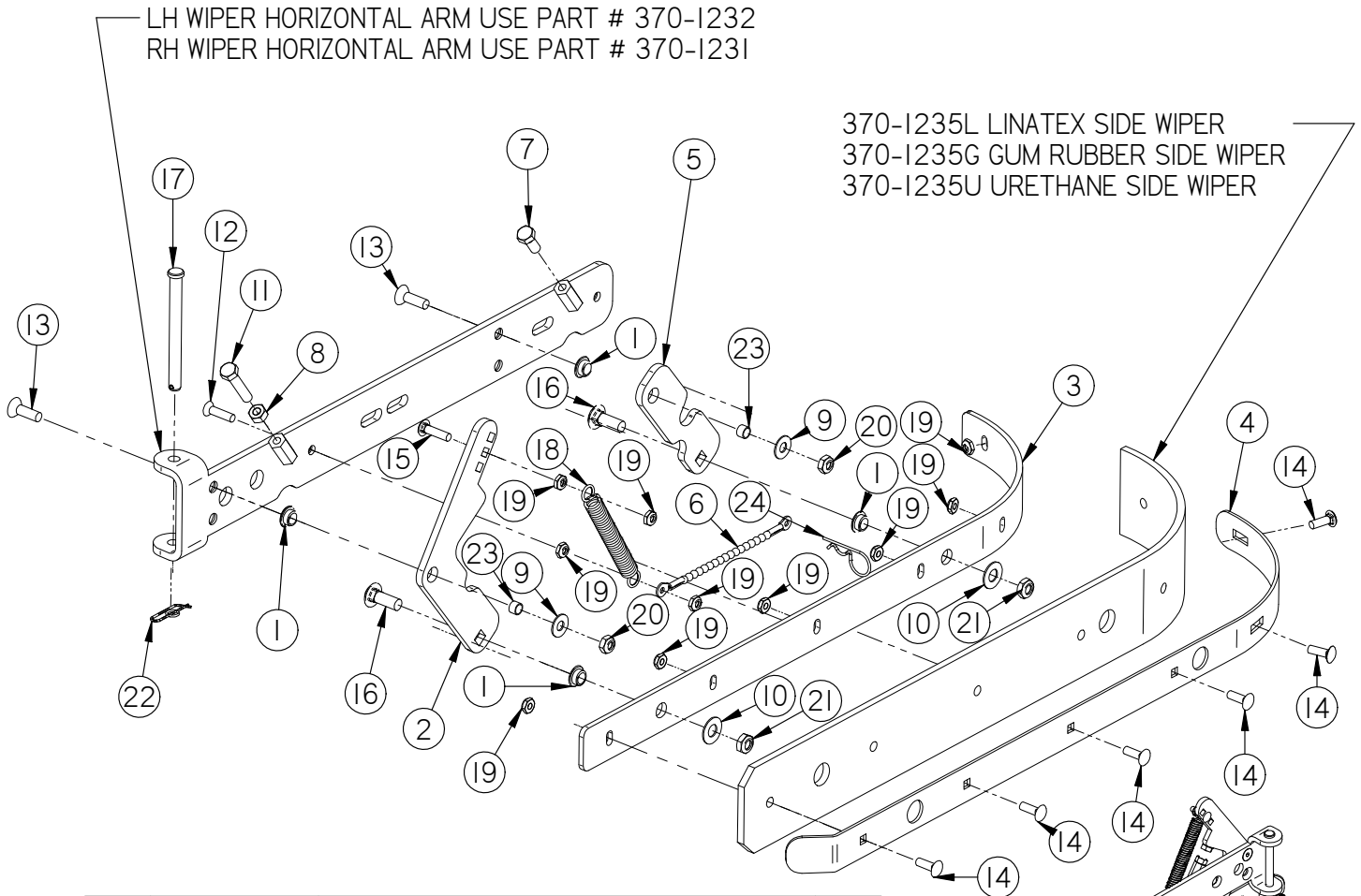
370-1139 LINATEX SHROUD WIPER
 370-1139G GUM RUBBER SHROUD WIPER
 370-1139U URETHANE SHROUD WIPER

TO ORDER COMPLETE (RH)
 34" SHROUD ASSEMBLY USE
 PART # 370-1135C
 FOR 40" (RH) SHROUD ASSEMBLY USE
 PART # 370-1137C
 FOR 45" (RH) SHROUD ASSEMBLY USE
 PART # 370-1141C

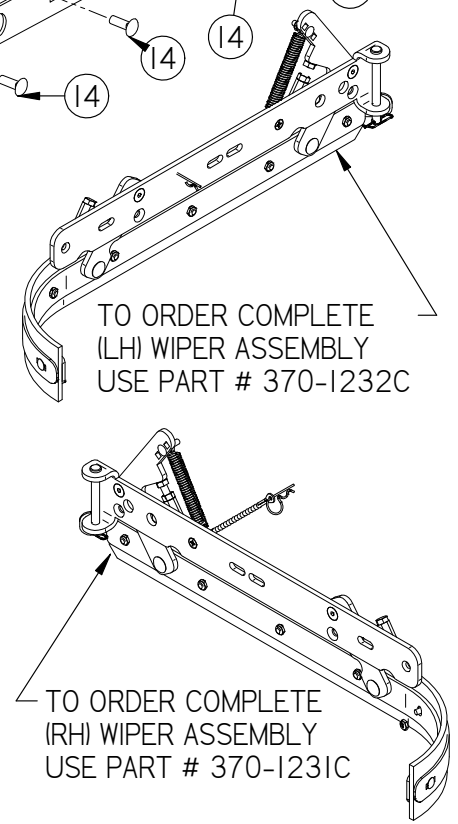
TO ORDER COMPLETE (LH)
 34" SHROUD ASSEMBLY USE
 PART # 370-1136C
 FOR 40" (LH) SHROUD ASSEMBLY USE
 PART # 370-1138C
 FOR 45" (LH) SHROUD ASSEMBLY USE
 PART # 370-1142C

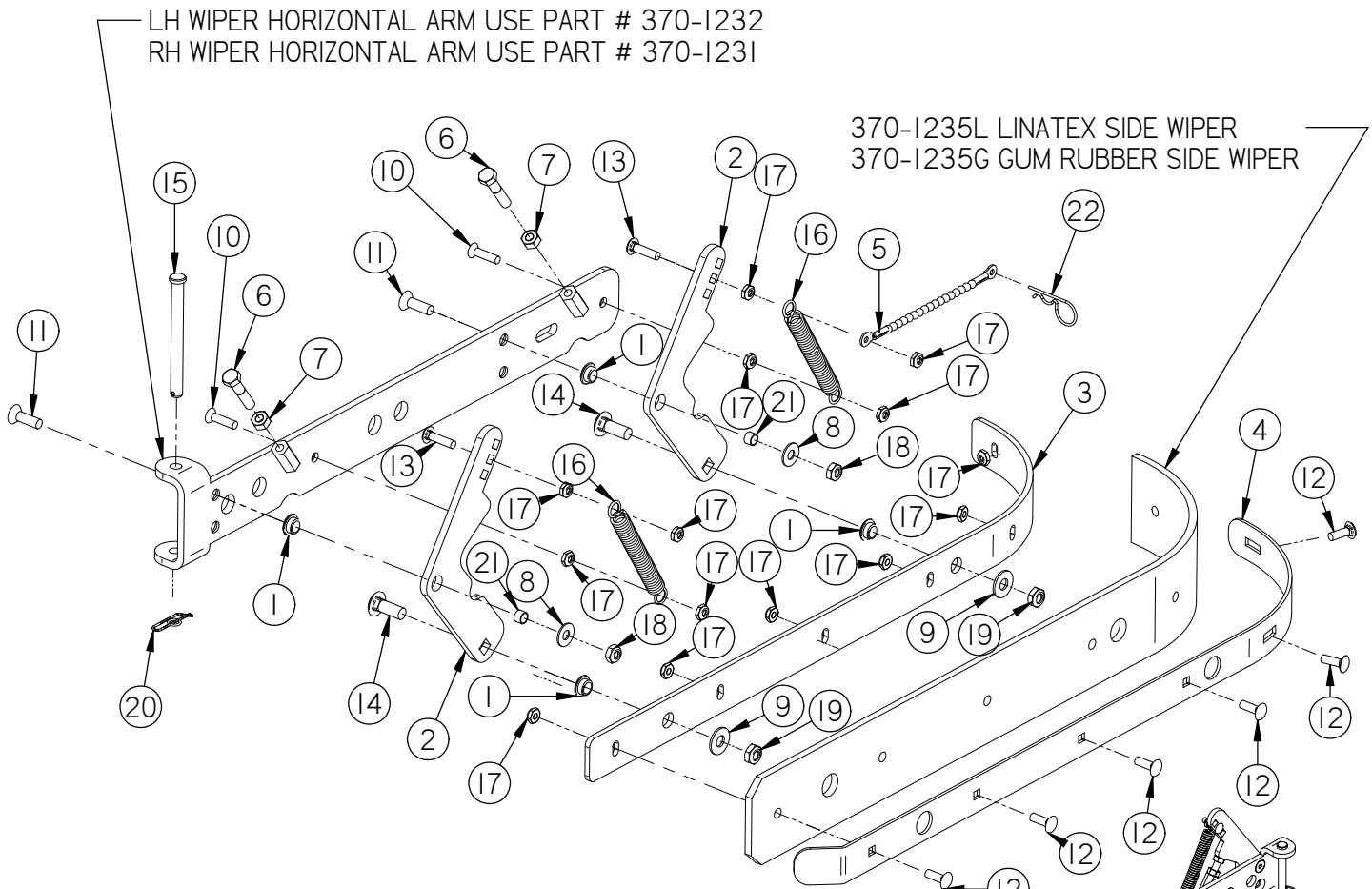


Item	Part No.	Part Description	Qty.
1	190-3030	4.0" WHEEL (GRAY)	2
2	370-0017	40" SHROUD CURTAIN	1
3	370-1140	SHROUD CURTAIN BAND (34" & 40")	1
4*	370-1239	INNER SHROUD CURTAIN	1
5	5-849	RECESSED HANDLE	1
6	H-70862	NYLOK 3/8"-16 SS	2
7	H-71013	FW 1/4 ID X 5/8 OD SS	7
8	H-73752	BHSCS 1/4 - 20 X 1/2" SS	2
9	H-74419	CB 1/4"- 20 X .75" SS	7
10	H-74439	CB 3/8"- 16 X 2.0" SS	2
11	H-NJ04C	JNYL 1/4" - 20 SS	9

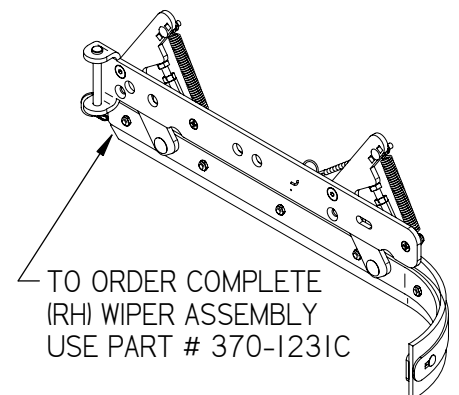
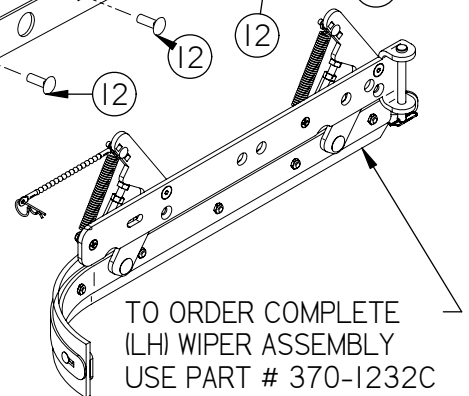


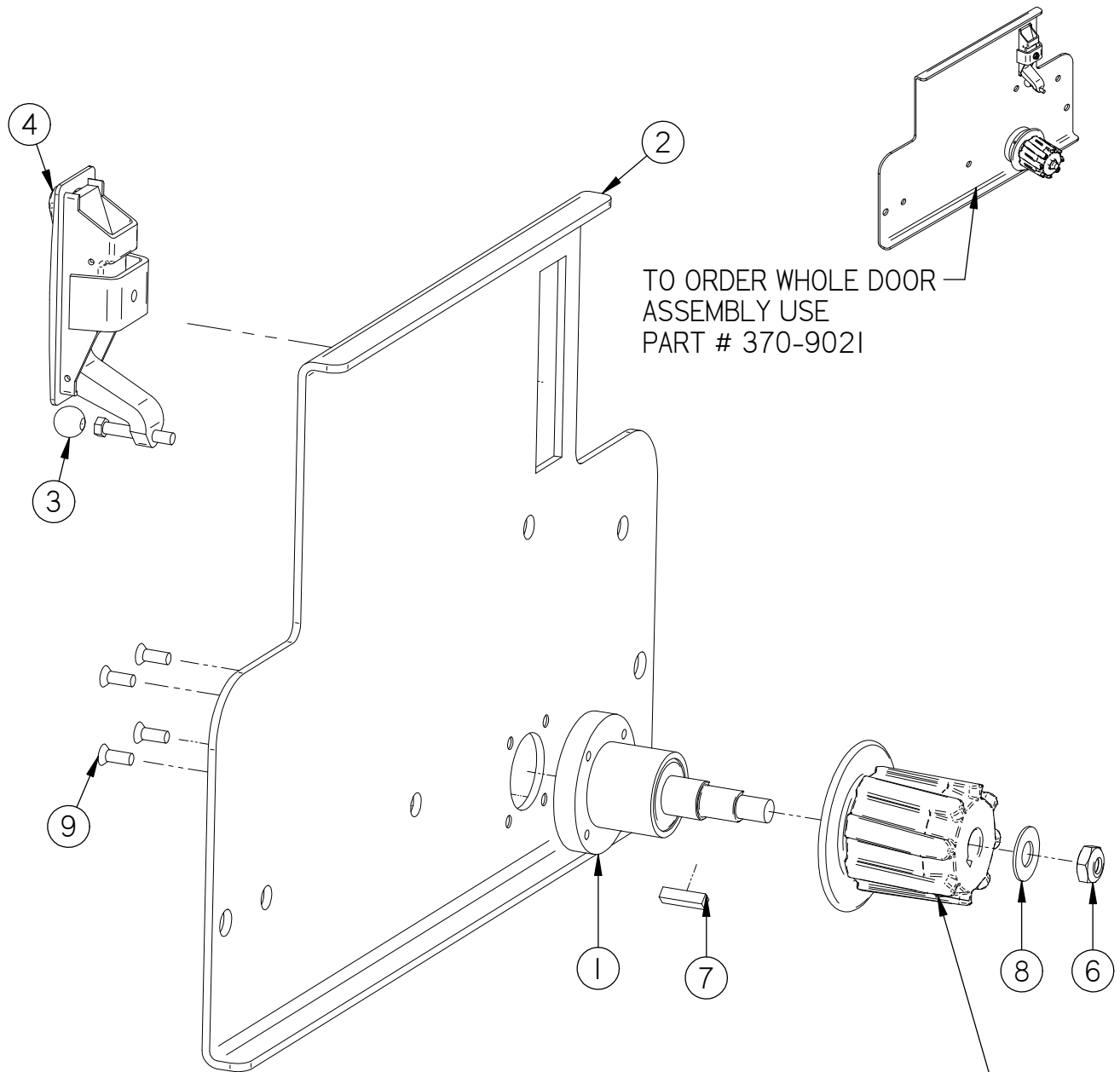
Item	Part Number	Part Description	Qty
1	290-1233	3/8" ID, 1/2" OD, 1/4" LG BEARING	4
2	370-1233	SHROUD VERTICAL ARM	1
3	370-1234	INNER CYLINDRICAL WIPER BAND	1
4	370-1236	OUTER CYLINDRICAL WIPER BAND	1
5	370-1333	SHROUD REAR VERTICAL ARM	1
6	370-4060	6" LANYARD	1
7	H-70053	HCS 5/16" - 18 X 3/4" SS	1
8	H-70711	HN 5/16" - 18 SS	1
9	H-71015	FW 5/16 ID X 3/4 OD SS	2
10	H-71017	FW 3/8 ID X 7/8 OD SS	2
11	H-71180	HCS 5/16" - 18 X 1-1/2" FULLY THREADED	1
12	H-72710	FHP 1/4" - 20 X 1" SS	1
13	H-73908	FHSCS 5/16" - 18 X 1" SS	2
14	H-74419	CB 1/4" - 20 X .75" SS	6
15	H-74420	CB 1/4" - 20 X 1.0" SS	1
16	H-74436	CB 3/8" - 16 X 1.0" SS	2
17	H-923903	3/8" X 4" CLEVIS PIN	1
18	H-96544	SPRING, 4-1/8" LG X 9/16" OD (42E)	1
19	H-NJ04C	JNYL 1/4" - 20 SS	10
20	H-NJ05C	JNYL 5/16" - 18 SS	2
21	H-NJ06C	JNYL 3/8" - 16 SS	2
22	H-RUE14	3/8" RUE RING COTTER	1
23	M-6391K403	.312 ID X .375 OD X .25 LG BEARING SLEEVE	2
24	M-92391A044	HAIRPIN, 5/16" - 3/8" X 1-7/16" S/S	1





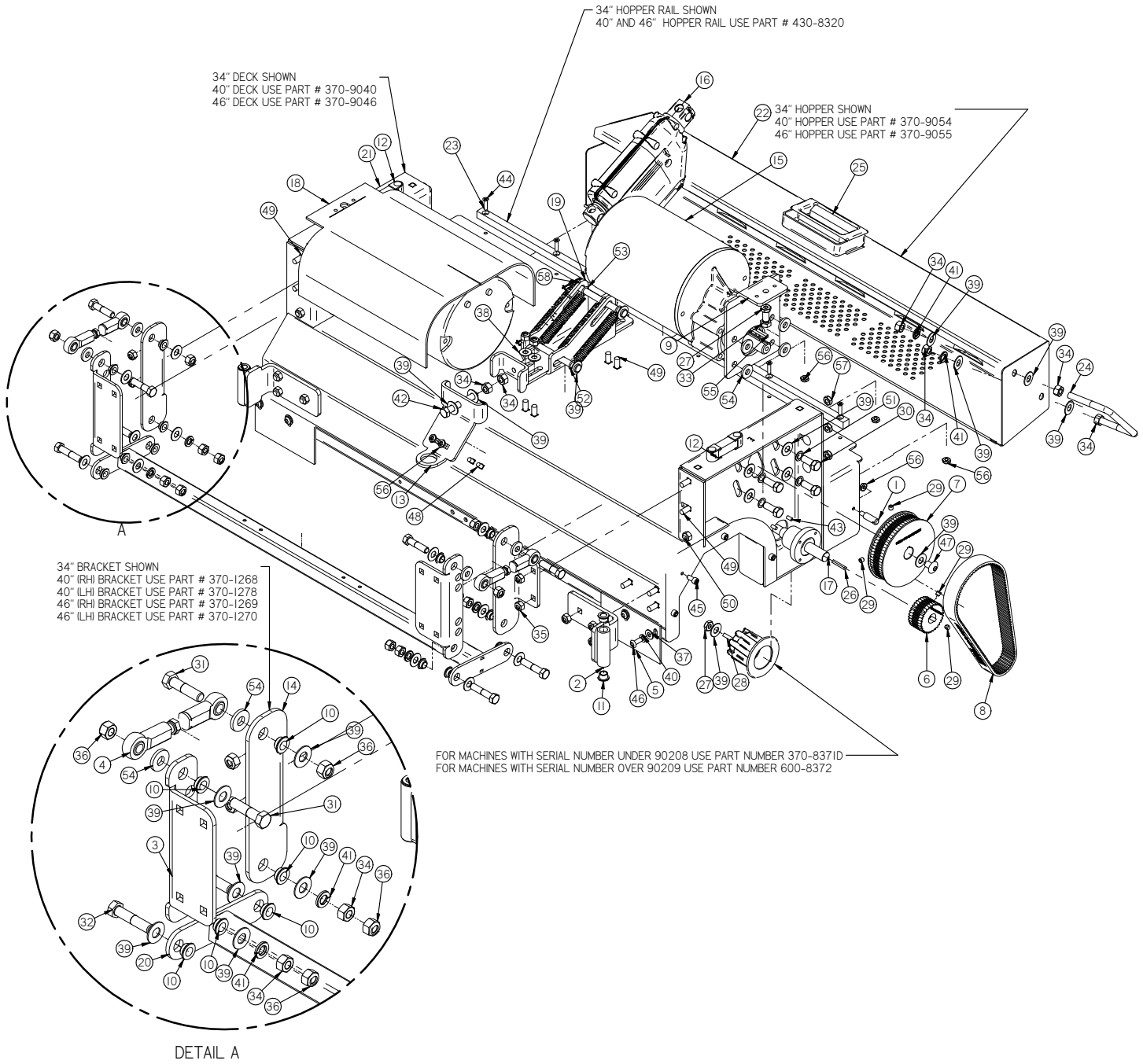
Item	Part Number	Part Description	Qty
1	290-1233	3/8" ID, 1/2" OD, 1/4" LG BEARING	4
2	370-1233	SHROUD VERTICAL ARM	2
3	370-1234	INNER CYLINDRICAL WIPER BAND	1
4	370-1236	OUTER CYLINDRICAL WIPER BAND	1
5	370-4060	6" LANYARD	1
6	H-70059	HCS 5/16" - 18 X 1-1/2"	2
7	H-70711	HN 5/16" - 18 SS	2
8	H-71015	FW 5/16" X 3/4" SAE SS	2
9	H-71017	FW 3/8" X 7/8" SS	2
10	H-72710	FHP 1/4" - 20 X 1" SS	2
11	H-73908	FHSCS 5/16" - 18 X 1" SS	2
12	H-74419	CB 1/4" - 20 X .75" SS	6
13	H-74420	CB 1/4" - 20 X 1.0" SS	2
14	H-74436	CB 3/8" - 16 X 1.0" SS	2
15	H-923903	3/8" X 4" CLEVIS PIN	1
16	H-96544	SPRING, 4-1/8" LG X 9/16" OD (42E)	2
17	H-NJ04C	JNYL 1/4" - 20 SS	14
18	H-NJ05C	JNYL 5/16" - 18 SS	2
19	H-NJ06C	JNYL 3/8" - 16 SS	2
20	H-RUE14	3/8" RUE RING COTTER	1
21	M-6391K403	.312 ID X .375 OD X .25 LG BEARING SLEEVE	2
22	M-92391A044	HAIRPIN, 5/16" - 3/8" X 1-7/16" S/S	1





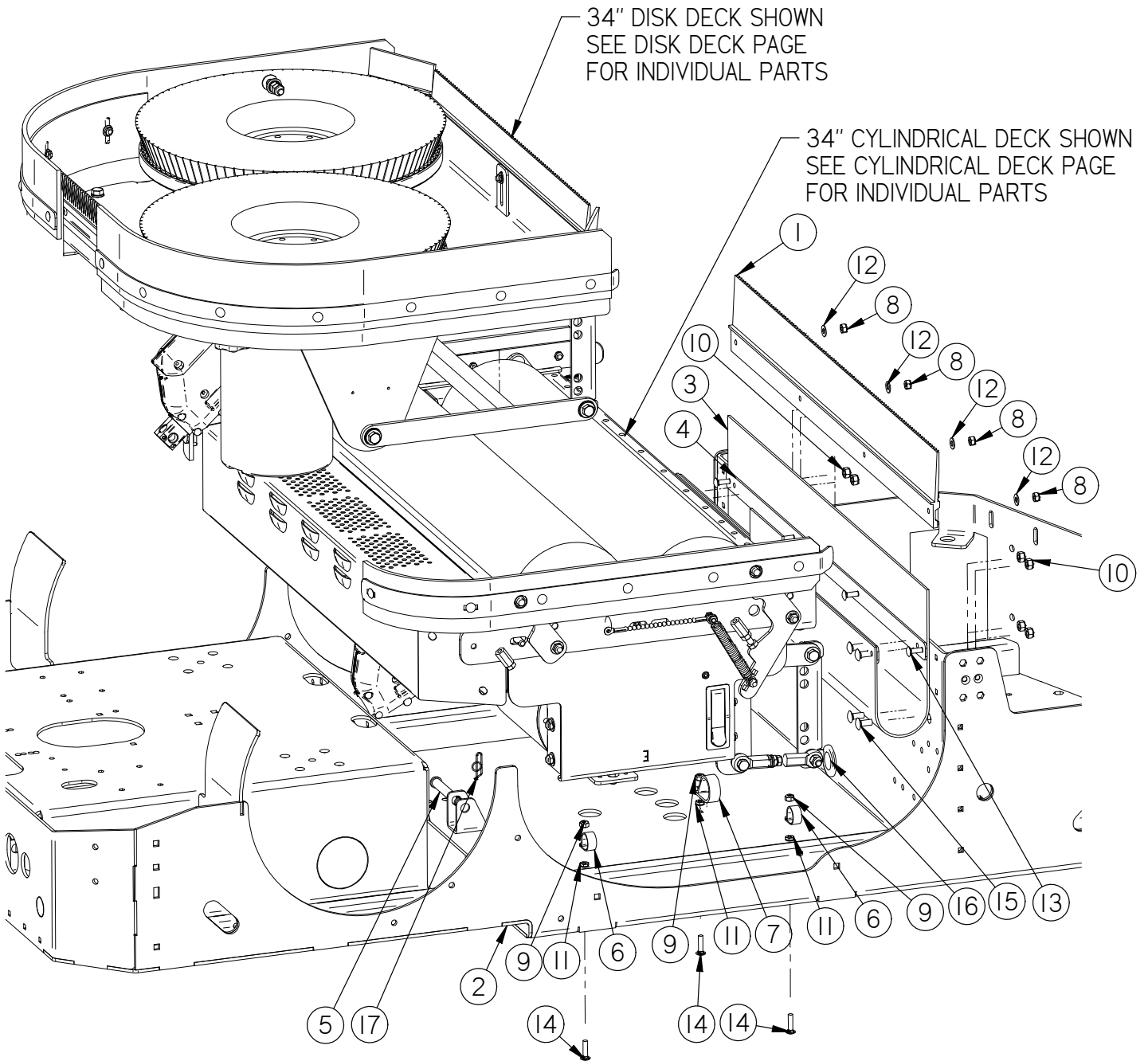
FOR MACHINES WITH SERIAL NUMBER UNDER 90209 USE PART NUMBER 370-8369D
 FOR MACHINES WITH SERIAL NUMBER OVER 90209 USE PART NUMBER 600-8371D

Item	Part No.	Part Description	Qty.
1	370-8241A	IDLER DRIVE BEARING	1
2	370-9022	DRIVE COVER	1
3	5-100	GROMMET	1
4	5-130	DOOR LATCH	1
5	600-8371	CYLINDRICAL DRIVER (HARDCOAT)	1
6	H-0171004	JNYL 3/8- 24 SS	1
7	H-0953152	3/16" X 3/4" KEY	1
8	H-71017	FW 3/8 ID X 7/8 OD SS	1
9	H-72682	FHP #10-32 X 1/2" SS	4

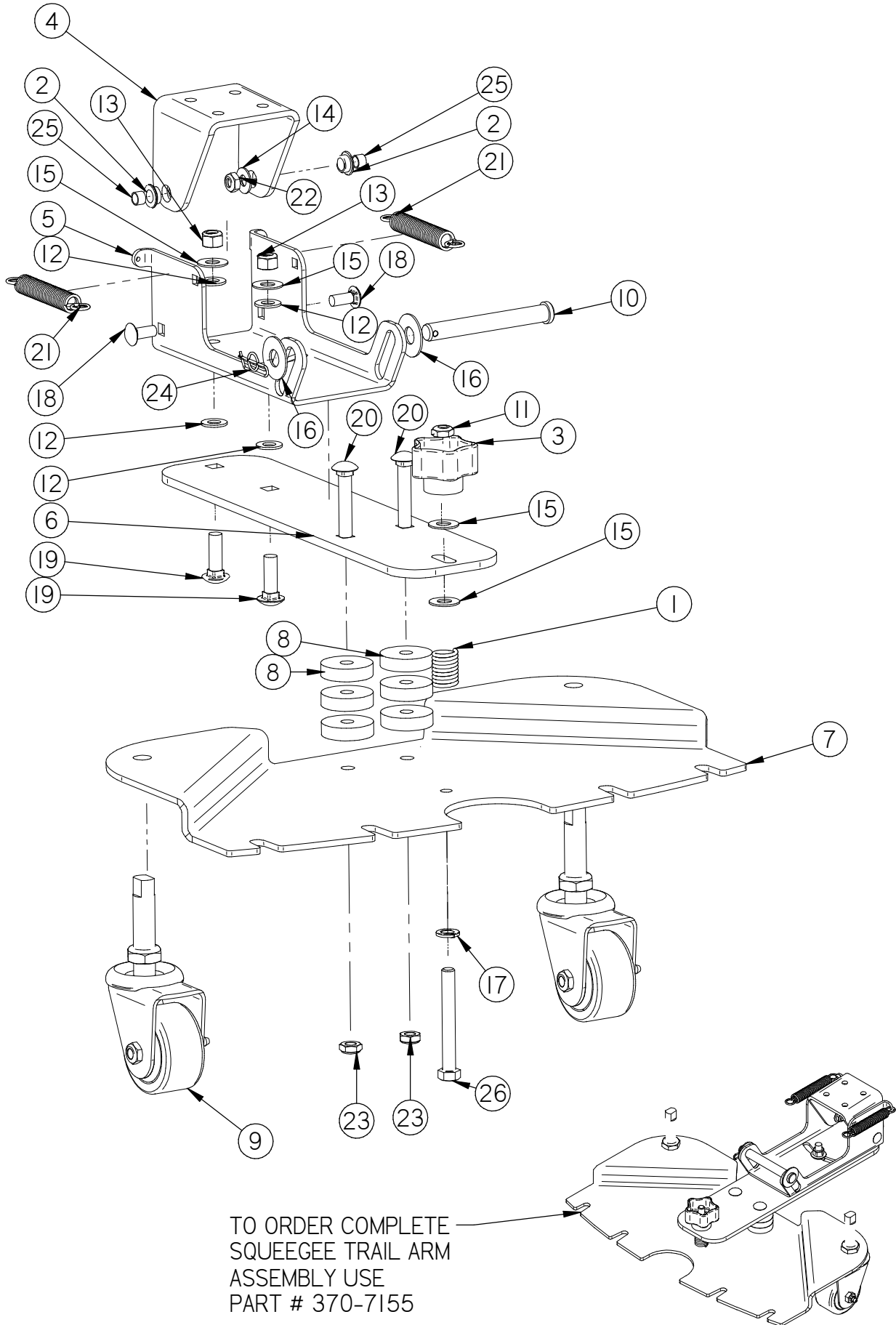


Cylindrical Decks

Item	Part No.	Part Description	Qty.
1	250-0001	RETAINER PIN	2
2	250-1230	SHROUD HINGE	2
3	250-1265	SCRUB ARM BRACKET	2
4	250-8431	ADJUSTABLE LATERAL ARM	2
5	250-9010	CYLINDRICAL CURTAIN	2
6	253-8215	TIMING SPROCKET 32 TOOTH	2
7	253-8225	TIMING SPROCKET 68 TOOTH	2
8	253-8230	565-5M-25 HI-PERFORMANCE PD PLUS BELT	2
9	253-9002	MOTOR ADJ BRACKET	2
10	290-1233	3/8" ID, 1/2" OD, 1/4" LG BEARING	12
11	290-1245	3/8" ID, 1/2" OD, 3/8" LG, FLANGE BEARING	4
12	300-4030	LEVEL	2
13	370-1237	ROLLER BRACKET	1
14	370-1267	34" CYLINDRICAL LIFTING BRACKET	2
15	370-2220	MOTOR 36V 1.5 HP X 350 RPM, 2.2" SHAFT	2
16	370-2240	2" STROKE 36V ACTUATOR 450 LB LOAD	1
17	370-8240A	BEARING HOUSING/BEARING	2
18	370-9002	MOTOR SHIELD	2
19	370-9003	CYLINDRICAL LIFTING BRACKET	1
20	370-9020	370 CYL. LATERAL ARM	1
21	370-9034	CYLINDRICAL BRUSHHEAD, 34"	1
22	370-9053	34" HOPPER	1
23	390-8320	HOPPER RAIL	1
24	5-834	HOPPER HANDLE	1
25	5-849	RECESSED HANDLE	1
26	H-01125	3/16" X 1" KEY	2
27	H-0171004	JNYL 3/8- 24 SS	4
28	H-0953152	3/16" X 3/4" KEY	2
29	H-25379	SETSCREW, KCP, 1/4"-20 X 1/4"	8
30	H-70105	HCS 3/8"- 16 X 1" SS	8
31	H-70109	HCS 3/8"- 16 X 1-1/2" SS	4
32	H-70110	HCS 3/8"- 16 X 1-3/4" SS	4
33	H-70142	HCS 3/8"- 24 X 1" S/S	2
34	H-70712	HN 3/8"-16 SS	10
35	H-70861	NYLOK 5/16" - 18 SS	16
36	H-70862	NYLOK 3/8"-16 SS	8
37	H-71013	FW 1/4 ID X 5/8 OD SS	4
38	H-71015	FW 5/16 ID X 3/4 OD SS	10
39	H-71017	FW 3/8 ID X 7/8 OD SS	34
40	H-71063	LW 1/4" SS	4
41	H-71067	LW 3/8" SS	6
42	H-71190	HCS 3/8"- 16 X 2-1/2" SS (FULLY THREADED)	1
43	H-72682	FHP #10-32 X 1/2" SS	8
44	H-72684	FHP 10-32 X 3/4" SS	6
45	H-73459	SHCS 1/4-20 X 1/2 SS	8
46	H-73753	BHSCS 1/4 - 20 X 5/8" SS	4
47	H-73811	BHSCS 3/8"- 16 X 1/2" SS	2
48	H-74417	CB 1/4"- 20 X .5" SS	2
49	H-74429	CB 5/16"- 18 X 3/4" SS	14
50	H-744??	CB 5/16"- 18 X 1/2" SS	8
51	H-90895	WASHER, SERRATED BELLEVILLE, 3/8", S/S	8
52	H-923903	3/8" X 4" CLEVIS PIN	2
53	H-96544	SPRING, 4-1/8" LG, 9/16 OD, (42E)	4
54	H-98025	FW 3/8" GRADE 8	12
55	H-K14320	3/16" X 1 1/4" KEY	2
56	H-NJ04C	JNYL 1/4" - 20 SS	10
57	H-NJ05C	JNYL 5/16"- 18 SS	6
58	H-RUE14	3/8" RUE RING COTTER	2

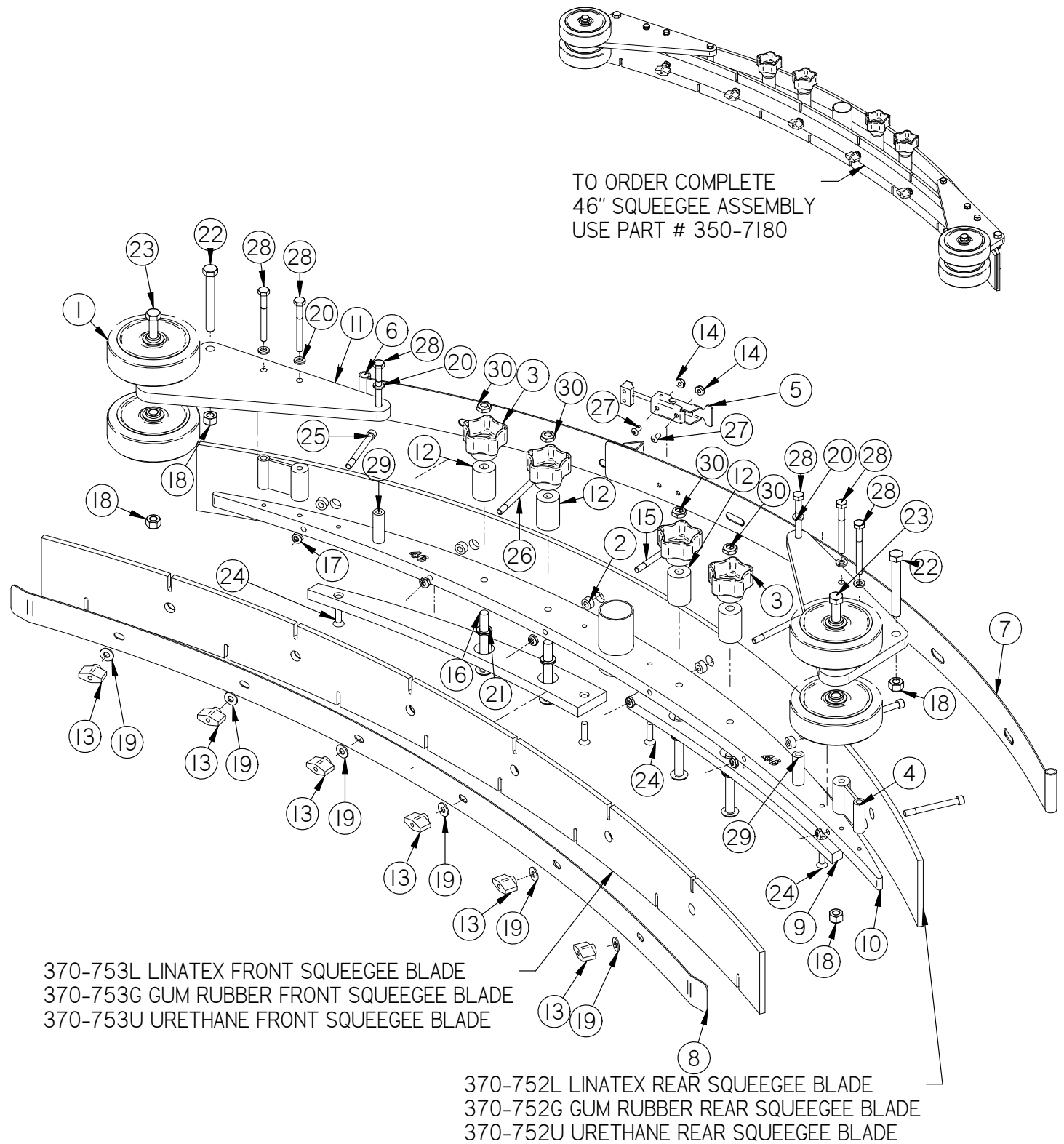


Item	Part No.	Part Description	Qty.
1	370-0019	FRONT WALL CURTAIN	1
2	370-1100	MAIN FRAME	1
3	370-1310	DECK CURTAIN	1
4	370-1320	CURTAIN BAND	2
5	H-0156776	1/2" X 3.5" CLEVIS PIN	1
6	H-32258	RUBBER LOOP CLAMP, 1.0" #16	2
7	H-3225T	RUBBER LOOP CLAMP, 1-1/2"	1
8	H-70860	NYLOK 1/4"- 20 SS	4
9	H-70860	NYLOK 1/4"- 20 SS	3
10	H-70861	NYLOK 5/16" - 18 SS	8
11	H-70925	KN 1/4-20 S/S	3
12	H-71013	FW 1/4 ID X 5/8 OD SS	4
13	H-74419	CB 1/4"- 20 X .75" SS	4
14	H-74420	CB 1/4"- 20 X 1.0" SS	3
15	H-74429	CB 5/16"- 18 X 3/4" SS	4
16	H-9307K74	GROMMET, 1" ID X 1-3/4" OD BUNA-N	3
17	H-RUE22	1/2" RUE RING COTTER	1

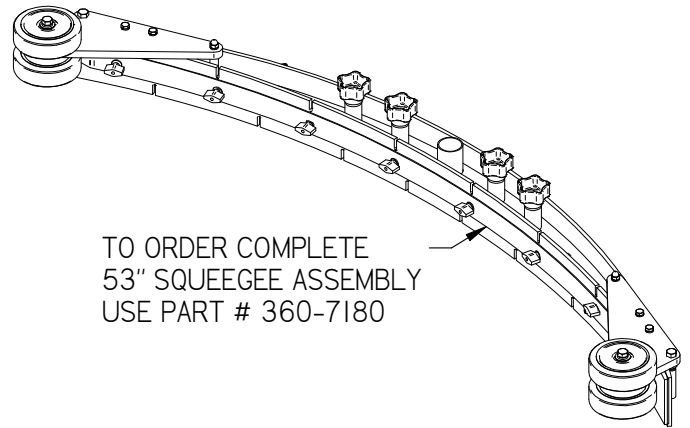


Squeegie Trail Arm

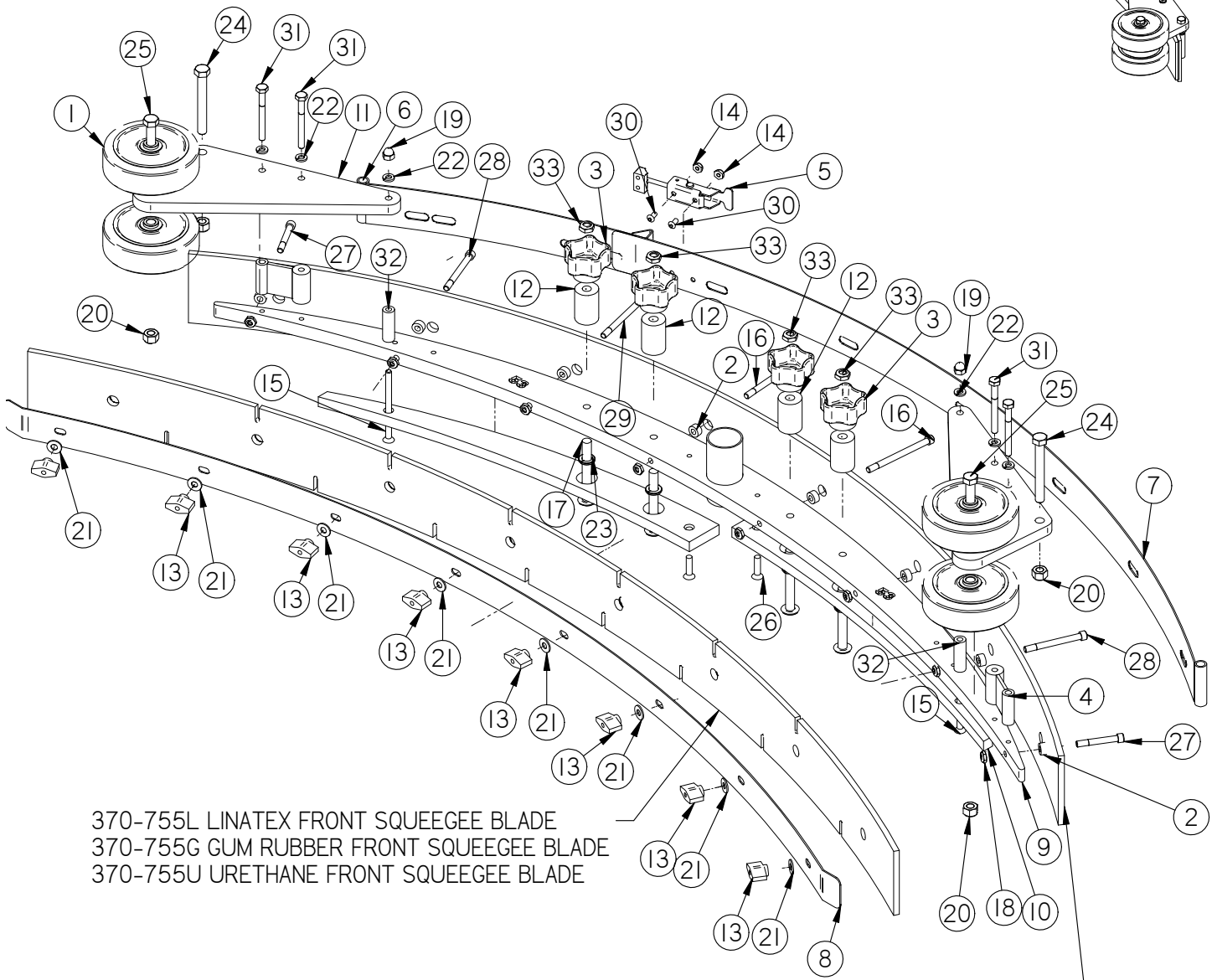
Item	Part No.	Part Description	Qty.
1	21-7240	SPRING, 3/4" X 1-7/8" LG X .105 DIA. WIRE	1
2	290-1233	3/8" ID, 1/2" OD, 1/4" LG BEARING	2
3	290-5787	STAR KNOB, 3/8-24 THREAD	1
4	370-5002	SQUEEGEE DRAG BRACKET	1
5	370-7140	SQUEEGEE SWING PLATE	1
6	370-7150	SQUEEGEE TRAIL ARM	1
7	370-7610	SQUEEGEE TRIANGLE PLATE	1
8	4-446	GROMMET-3/8 ID X 1-1/2 OD X .375	6
9	430-7570	CASTER	2
10	H-0156777	1/2" X 4" CLEVIS PIN	1
11	H-0171004	JNYL 3/8- 24 SS	1
12	H-4440024	FW 3/8" X 3/4" NYLON	4
13	H-70862	NYLOK 3/8"-16 SS	2
14	H-71015	FW 5/16 ID X 3/4 OD SS	2
15	H-71017	FW 3/8 ID X 7/8 OD SS	4
16	H-71021	FW 1/2 ID X 1-1/4 OD SS	2
17	H-71067	LW 3/8" SS	1
18	H-74429	CB 5/16"- 18 X 3/4" SS	2
19	H-74437	CB 3/8"- 16 X 1-1/4" SS	2
20	H-74439	CB 3/8"- 16 X 2.0" SS	2
21	H-96544	SPRING, 4-1/8" LG X 9/16" OD (42E)	2
22	H-NJ05C	JNYL 5/16"- 18 SS	2
23	H-NJ06C	JNYL 3/8- 16 SS	2
24	H-RUE22	1/2" RUE RING COTTER	1
25	M-6391K403	.312 ID X .375 OD X .25 LG BEARING SLEEVE	2
26	M-92240A362	HCS 3/8"- 24 X 3.0" SS	1



Item	Part No.	Part Description	Qty.
1	190-3030	4.0" WHEEL (GRAY)	4
2	21-2211	SPACER 1/2 OD X 1/4"	6
3	290-5786	STAR KNOB, 3/8-16 THREAD	4
4	370-0007	BAND BRACKET HOLDER	2
5	370-0124	LATCH	1
6	370-6160	REAR SQUEEGEE BAND (RH) (46")	1
7	370-6161	REAR SQUEEGEE BAND (LH) (46")	1
8	370-6170	FRONT SQUEEGEE BAND (46")	1
9	370-6182	SQUEEGEE BODY BOTTOM (46")	2
10	370-6183	46" SQUEEGEE BODY	1
11	370-7183	SQUEEGEE CASTER BRACKET	2
12	370-8460	STANDOFF, 1.5"	4
13	5-418A	CLAMPING KNOB	6
14	H-0129155	JNYL #10-32, 18-8 S/S	2
15	H-0171135	SHCS 1/4-20 X 3-1/4 SS	2
16	H-0171299	BHSCS 3/8"- 16 X 3" SS	4
17*	H-37020	JNYL 1/4" - 20	6
18	H-70862	NYLOK 3/8"-16 SS	4
19	H-71013	FW 1/4" X 5/8" SS	6
20	H-71063	LW 1/4" SS	6
21	H-71067	LW 3/8" SS	4
22*	H-71191	HCS 3/8"- 16 X 3" SS	2
23	H-71193	HCS 3/8"- 16 X 4" SS	2
24	H-72710	FHP 1/4"- 20 X 1" SS	4
25	H-73468	SHCS 1/4-20 X 2.5 SS	2
26	H-73470	SHCS 1/4-20 X 3.0 SS	2
27	H-73742	BHSCS 10-32 X 3/8" SS	2
28	H-77013	HCS 1/4"- 20 X 2.5" SS	6
29	H-92321	.252 ID X .50 OD X 2.25 LG SPACER	2
30	H-NJ06C	JNYL 3/8- 16 SS	4



TO ORDER COMPLETE
53" SQUEEGEE ASSEMBLY
USE PART # 360-7180

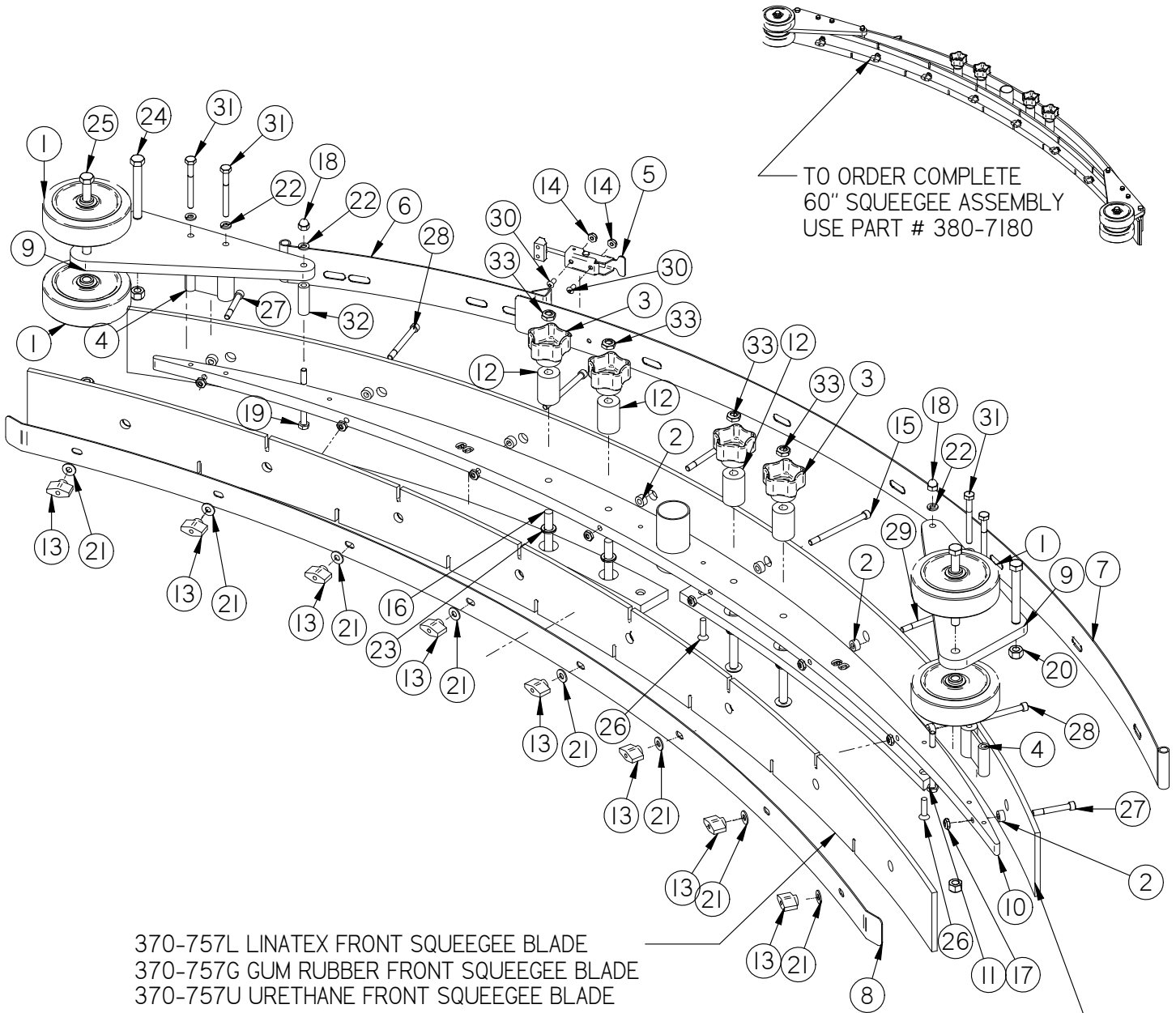


370-755L LINATEX FRONT SQUEEGEE BLADE
370-755G GUM RUBBER FRONT SQUEEGEE BLADE
370-755U URETHANE FRONT SQUEEGEE BLADE

370-754L LINATEX REAR SQUEEGEE BLADE
370-754G GUM RUBBER REAR SQUEEGEE BLADE
370-754U URETHANE REAR SQUEEGEE BLADE

53 Inch Squeegee

Item	Part No.	Part Description	Qty.
1	190-3030	4.0" WHEEL (GRAY)	4
2	21-2211	SPACER 1/2 OD X 1/4"	8
3	290-5786	STAR KNOB, 3/8-16 THREAD	4
4	370-0007	BAND BRACKET HOLDER	2
5	370-0124	LATCH	1
6	370-7160	REAR SQUEEGEE BAND (RH)	1
7	370-7161	REAR SQUEEGEE BAND (LH) 53"	1
8	370-7170	FRONT SQUEEGEE BAND	1
9	370-7181	53" SQUEEGEE BODY	1
10	370-7182	SQUEEGEE BODY BOTTOM	2
11	370-7183	SQUEEGEE CASTER BRACKET	2
12	370-8460	STANDOFF, 1.5"	4
13	5-418A	CLAMPING KNOB	8
14	H-0129155	JNYL #10-32, 18-8 S/S	2
15	H-0170133	FHP 1/4"- 20 X 3-1/2"	2
16	H-0171135	SHCS 1/4-20 X 3-1/4 SS	2
17	H-0171299	BHSCS 3/8"- 16 X 3" SS	4
18	H-37020	JNYL 1/4" - 20	8
19	H-37708	1/4-20 LC ACORN NUT	2
20	H-70862	NYLOK 3/8"-16 SS	4
21	H-71013	FW 1/4" X 5/8" SS	8
22	H-71063	LW 1/4" SS	6
23	H-71067	LW 3/8" SS	4
24	H-71191	HCS 3/8"- 16 X 3" SS	2
25	H-71193	HCS 3/8"- 16 X 4" SS	2
26	H-72710	FHP 1/4"- 20 X 1" SS	2
27	H-73465	SHCS 1/4-20 X 1.75 SS	2
28	H-73468	SHCS 1/4-20 X 2.5 SS	2
29	H-73470	SHCS 1/4-20 X 3.0 SS	2
30	H-73742	BHSCS 10-32 X 3/8" SS	2
31	H-77013	HCS 1/4"- 20 X 2.5" SS	4
32	H-92321	.252 ID X .50 OD X 2.25 LG SPACER	2
33	H-NJ06C	JNYL 3/8- 16 SS	4



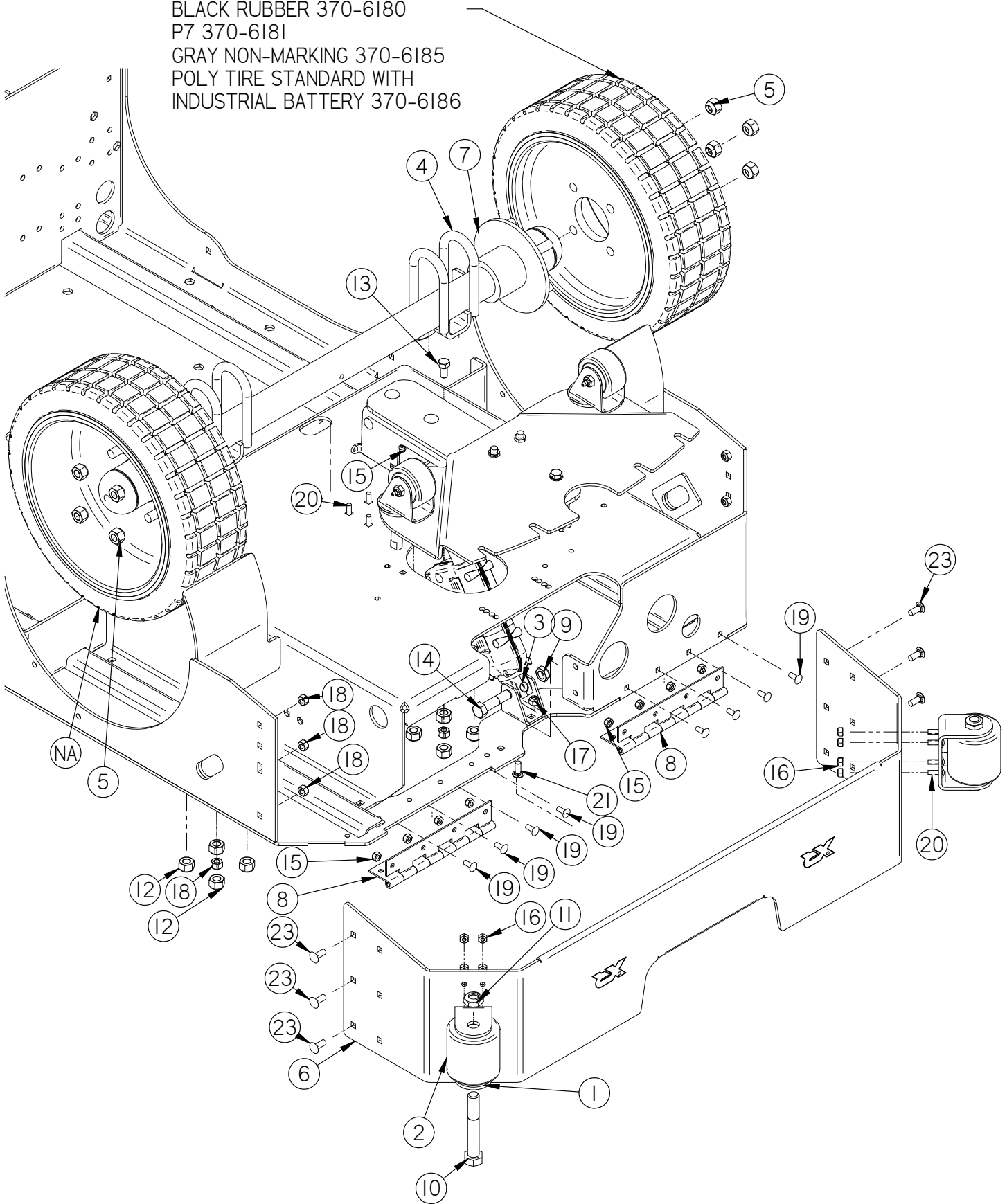
370-757L LINATEX FRONT SQUEEGEE BLADE
370-757G GUM RUBBER FRONT SQUEEGEE BLADE
370-757U URETHANE FRONT SQUEEGEE BLADE

370-756L LINATEX REAR SQUEEGEE BLADE
370-756G GUM RUBBER REAR SQUEEGEE BLADE
370-756U URETHANE REAR SQUEEGEE BLADE

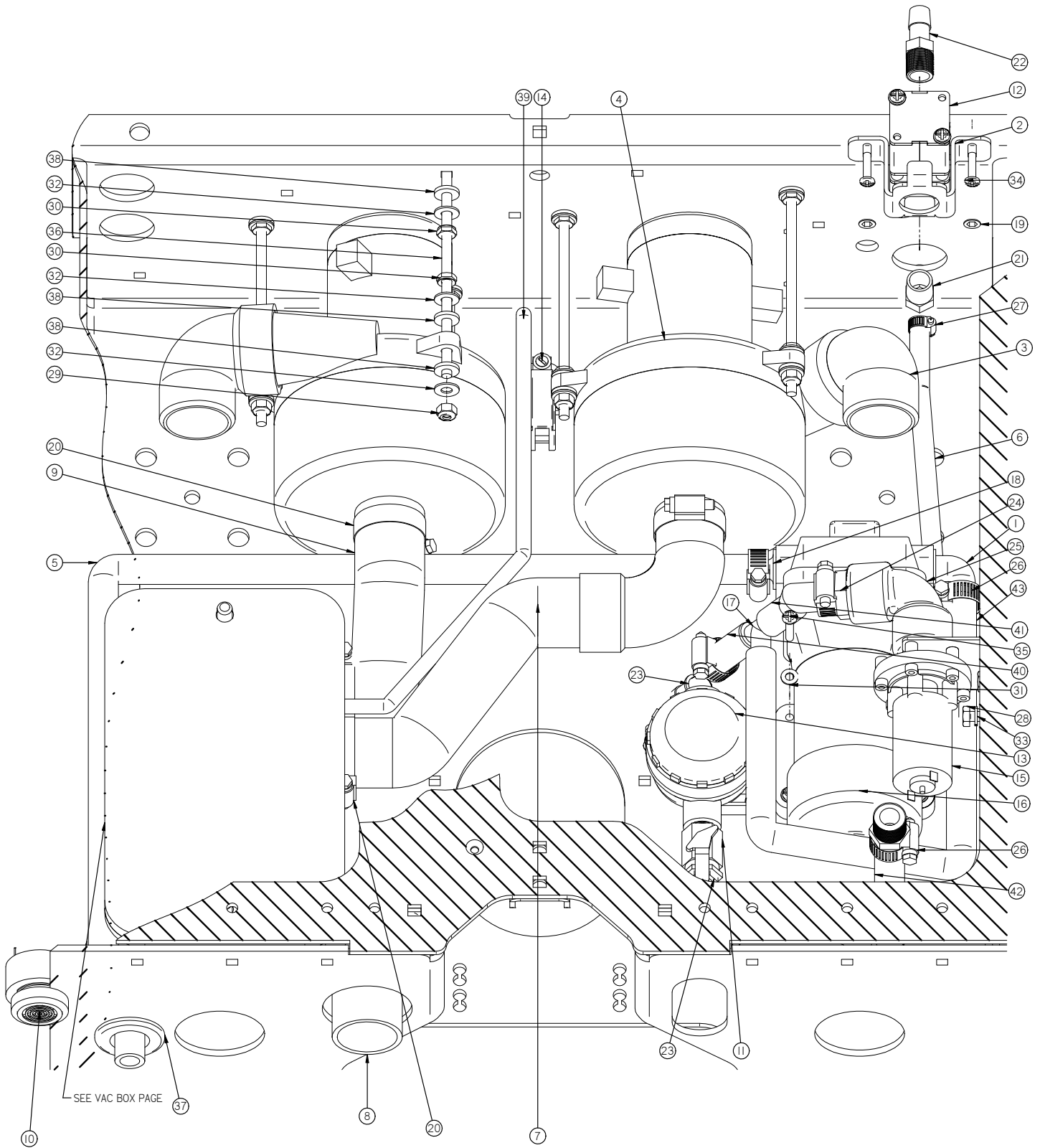
60 Inch Squeegee

Item	Part No.	Part Description	Qty.
1	190-3030	4.0" WHEEL (GRAY)	4
2	21-2211	SPACER 1/2 OD X 1/4"	8
3	290-5786	3/8-16 KNOB	4
4	370-0007	BAND BRACKET HOLDER	2
5	370-0124	LATCH	1
6	370-7160	REAR SQUEEGEE BAND (RH)	1
7	370-7163	REAR SQUEEGEE BAND (LH 60")	1
8	370-7171	FONT SQUEEGEE BAND (60")	1
9	370-7183	SQUEEGEE CASTER BRACKET	2
10	370-7191	60" SQUEEGEE BODY	1
11	370-7192	SQUEEGEE BODY BOTTOM (60")	2
12	370-8460	STANDOFF, 1.5"	4
13	5-418A	CLAMPING KNOB	8
14	H-0129155	JNYL #10-32, 18-8 S/S	2
15	H-0171135	SHCS 1/4-20 X 3-1/4 SS	2
16	H-0171299	BHSCS 3/8"- 16 X 3" SS	4
17	H-37020	JNYL 1/4" - 20	8
18	H-37708	1/4-20 LC ACORN NUT	2
19	H-70015	HCS 1/4"- 20 X 3.0" SS	2
20	H-70862	NYLOK 3/8"-16 SS	4
21	H-71013	FW 1/4 ID X 5/8 OD SS	8
22	H-71063	LW 1/4" SS	6
23	H-71067	LW 3/8" SS	4
24	H-71191	HCS 3/8"- 16 X 3" SS	2
25	H-71193	HCS 3/8"- 16 X 4" SS	2
26	H-72710	FHP 1/4"- 20 X 1" SS	4
27	H-73465	SHCS 1/4-20 X 1.75 SS	2
28	H-73468	SHCS 1/4-20 X 2.5 SS	2
29	H-73470	SHCS 1/4-20 X 3.0 SS	2
30	H-73742	BHSCS 10-32 X 3/8" SS	2
31	H-77013	HCS 1/4"- 20 X 2.5" SS	4
32	H-92321	.252 ID X .50 OD X 2.25 LG SPACER	2
33	H-NJ06C	JNYL 3/8- 16 SS	4

BLACK RUBBER 370-6180
P7 370-6181
GRAY NON-MARKING 370-6185
POLY TIRE STANDARD WITH
INDUSTRIAL BATTERY 370-6186

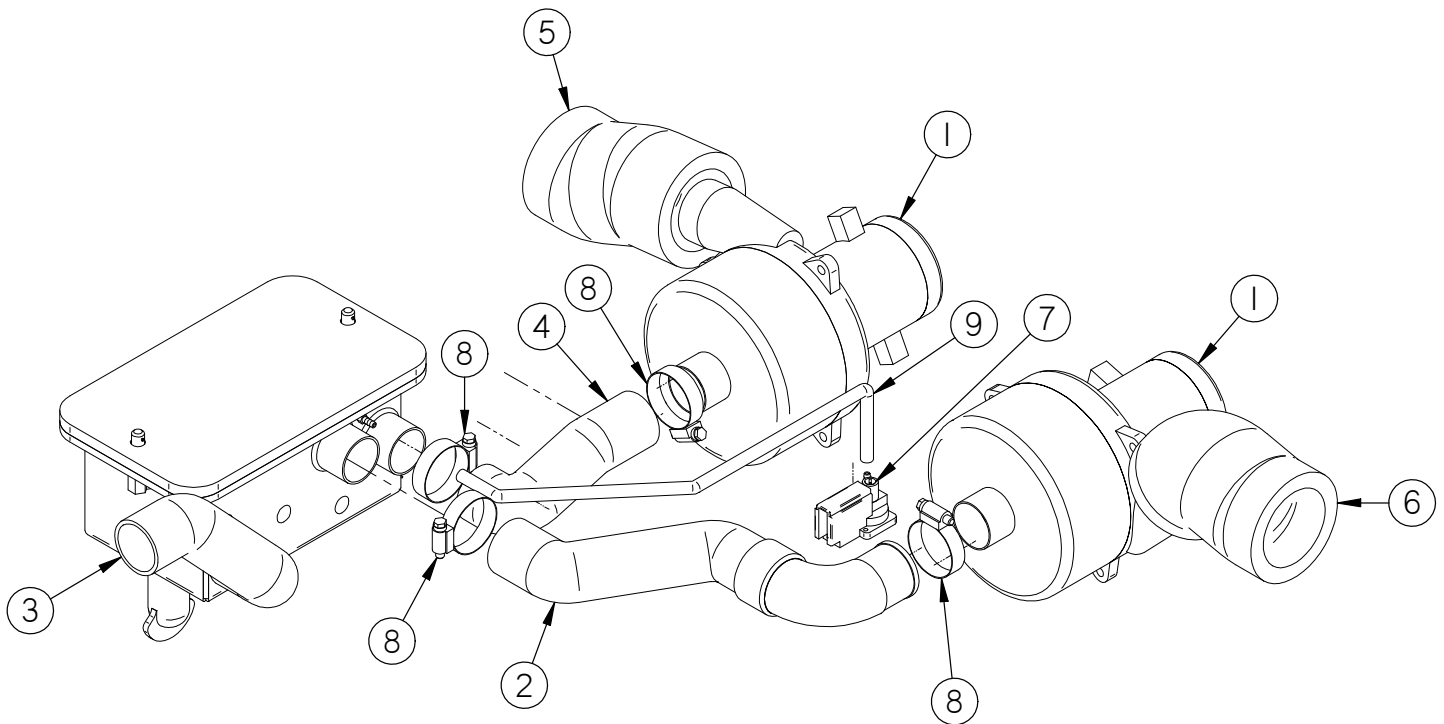


Item	Part No.	Part Description	Qty.
1	21-1126	ROLLER BRACKET	2
2	21-1127	ROLLER	2
3	250-2240	2" STROKE 36V ACTUATOR 450 LB LOAD	1
4	290-6186	1/2-20 X 1-1/4 " U BOLT	4
5	290-6187	LUG NUT, 1/2"- 20	8
6	370-1105	REAR BUMPER	1
7	370-6040	REAR AXLE	1
8	5-122	8" SS HINGE	2
9	H-0129159	JNYL, 1/2"-13, 18-8 SS	1
10	H-11319	HB 5/8"- 11 X 4"	2
11	H-37038	JNYL 5/8"- 11	2
12	H-37130	NYLOK NUT, 1/2"- 20	8
13	H-70102	HCS 3/8"-16 X 5/8" SS	1
14	H-70211	HCS 1/2"-13 X 2.0" SS	1
15	H-70860	NYLOK 1/4"- 20 SS	9
16	H-70860	NYLOK 1/4"- 20 SS	8
17	H-70861	NYLOK 5/16" - 18 SS	1
18	H-70862	NYLOK 3/8"-16 SS	2
19	H-74418	CB 1/4"- 20 X 5/8" S/S	8
20	H-74419	CB 1/4"- 20 X .75" SS	7
21	H-74429	CB 5/16"- 18 X 3/4" SS	1



Vac Motors & Vac Box - Serial Number #63205 and Greater

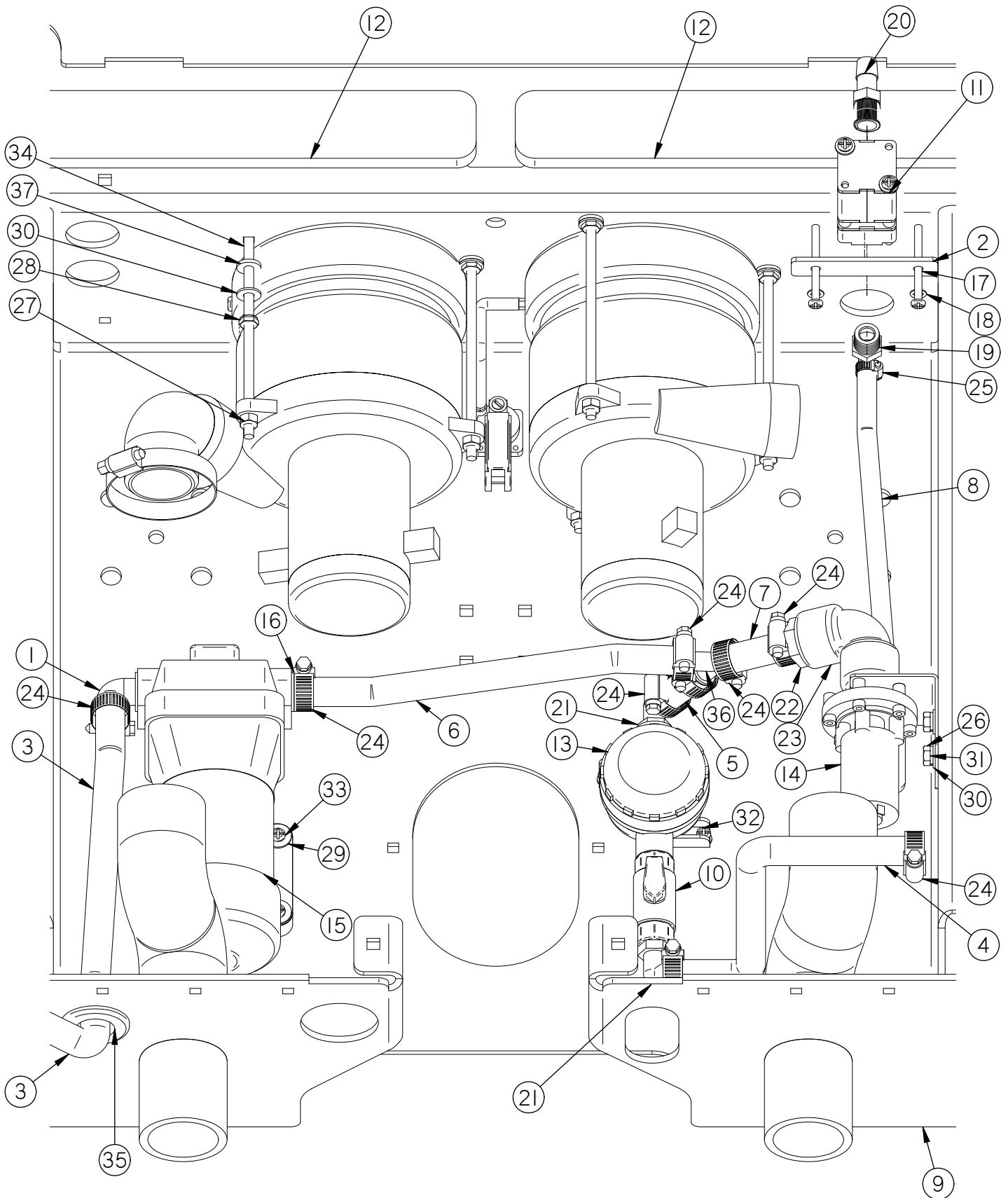
Item	Part No.	Part Description	Qty.
1	21-1601	1/2" BARBED ELBOW (PLASTIC)	1
2	250-5280	VALVE BRACKET	1
3	250-7291	EXHAUST ELBOW	2
4	255-5250	36V VAC MOTOR, TANGENTIAL W/SNORKEL	2
5	290-8960	SPRAY JET HOSE	1
6	370-0005	3/8" X 16" CLEAR HOSE	1
7	370-0113	VAC TO VAC BOX HOSE	1
8	370-0114	VAC BOX TO TANK HOSE	1
9	370-0115	VAC TO VAC BOX HOSE	1
10	370-2930	ALARM (91 dPd)	1
11	370-4158	BALL VALVE, 3/8"	1
12	370-7245	FLOW VALVE	1
13	370-9130	INLINE FILTER	1
14	390-2328	SWITCH, VACUUM SHUTOFF	1
15	390-8500	PUMP 36V DC	1
16	430-8910	PUMP, WATER JET, 36V	1
17	5-446	1/2 " PLASTIC BARB TEE	1
18	5-891B	1/2" SPRAY JET BARB	2
19	H-02309	HCN #10-32, LG CRIMP	3
20	H-0427612	CLAMP 3/4"- 1-3/4" SS	4
21	H-04762	ELBOW, 90 DEG X 3/8" MNPT X 3/8" BARB, NYLON	1
22	H-04763	.375 NPT X .50 BARB	1
23	H-04763	ELBOW, 90 DEG X 3/8" MNPT X 1/2" BARB, NYLON	2
24	H-04776	.75 NPT X .50 BARB	2
25	H-04787	.75 NPT X .75 NPT FEMALE ELBOW	1
26	H-081	CLAMP 7/16"- 25/32" SS	6
27	H-62002	HOSE CLAMP, #4 S/S	1
28	H-70003	HCS 1/4"-20 X 3/4" SS	2
29	H-70860	NYLOK 1/4"- 20 SS	4
30	H-70925	KN 1/4-20 S/S	8
31	H-71009	FW #10 SS	3
32	H-71013	FW 1/4 ID X 5/8 OD SS	12
33	H-71063	LW 1/4" SS	1
34	H-72534	PPH #10-32 X 3/4" S/S	4
35	H-72536	PPH #10-32 X 1" S/S	3
36	H-74400	CB 1/4"- 20 X 6.0" SS	6
37	H-9307K74	GROMMET, 1" ID X 1-3/4" OD BUNA-N	1
38	M-90130A029	.25" NEOPRENE WASHER	12
39	T-012-CI600	VAC BREATHER HOSE	1
40	T-050R0275	FILTER TO WYE	1
41	T-050R0275	TEE TO SMALL PUMP	1
42	T-050RI550	TANK TO ELBOW	1
43	T-050R2150	TEE TO BIG PUMP	1



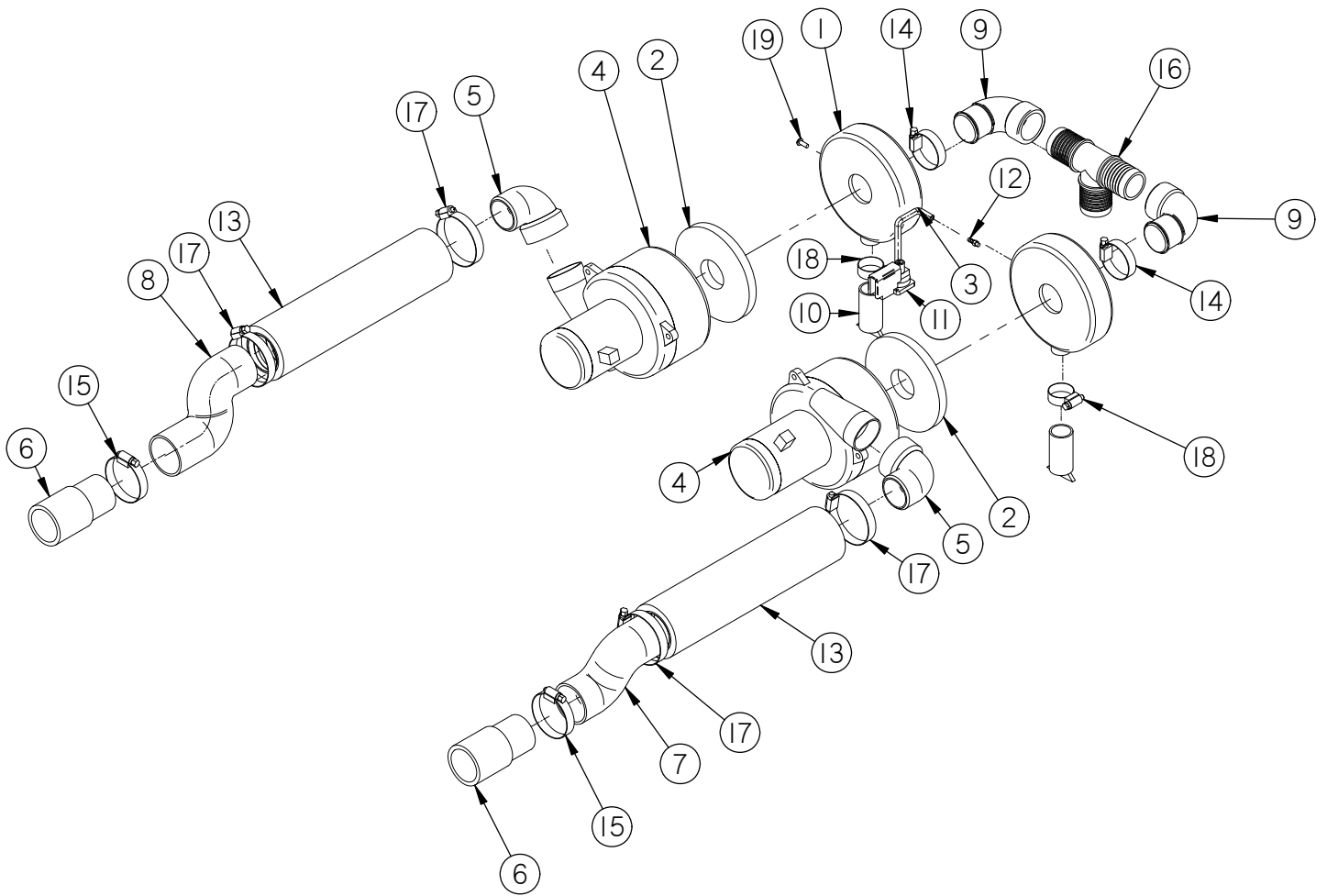
Item	Part No.	Part Description	Qty.
1	255-5250	36V VAC MOTOR, TANGENTIAL W/SNORKEL	2
2	370-0113	VAC TO VAC BOX HOSE	1
3	370-0114	VAC BOX TO TANK HOSE	1
4	370-0115	VAC TO VAC BOX HOSE	1
5	370-2503	MUFFLER 1.par	1
6	370-2503	MUFFLER 2.par	1
7	390-2328	SWITCH, VACUUM SHUTOFF	1
8	H-0427612	CLAMP 3/4"- 1-3/4" SS	4
9	T-012-CI600	VAC BREATHER HOSE	1

BLANK

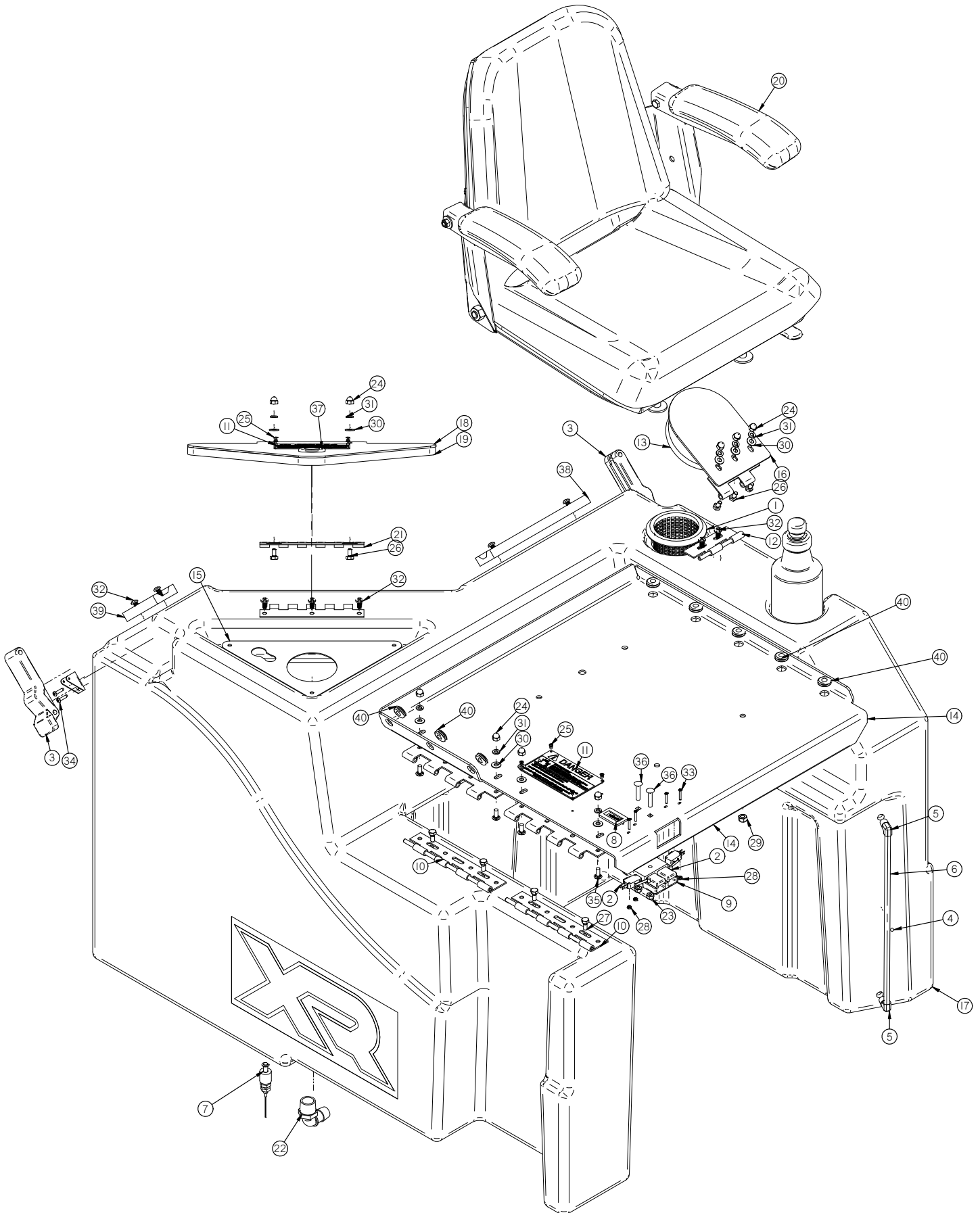
THIS PAGE WAS INTENTIONALLY LEFT BLANK



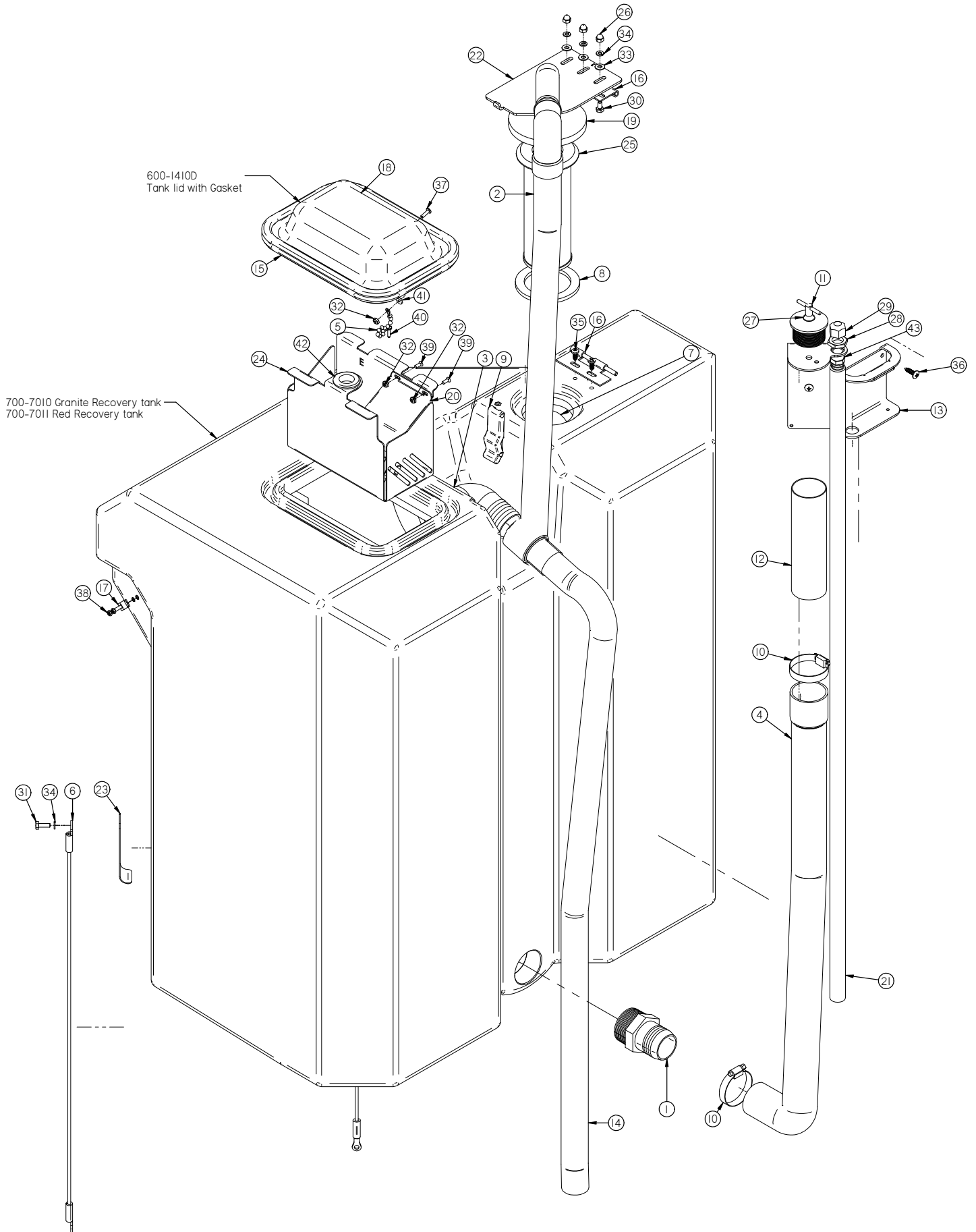
Item	Part No.	Part Description	Qty.
1	21-1601	1/2" BARBED ELBOW (PLASTIC)	1
2	250-5280	VALVE BRACKET	1
3	290-8960	SPRAY JET HOSE	1
4	370-0001	1/2" X 12" CLEAR HOSE	1
5	370-0002	OPERATORS MANUAL HOLDER	1
6	370-0003	1/2" X 10" CLEAR HOSE	1
7	370-0004	1/2" X 8" CLEAR HOSE	1
8	370-0005	3/8" X 16" CLEAR HOSE	1
9	370-1100	MAIN FRAME	1
10	370-4158	BALL VALVE, 3/8"	1
11	370-7245	FLOW VALVE	1
12	370-7421	TANK GASKET	2
13	370-9130	INLINE FILTER	1
14	390-8500	PUMP 36V DC	1
15	430-8910	PUMP, WATER JET, 36V	1
16	5-891B	1/2" SPRAY JET BARB	1
17	H-00249	PPH #10-32 X 2 1/4" SS	2
18	H-02309	HCM #10-32, LG CRIMP	6
19	H-04762	ELBOW, 90 DEG X 3/8" MNPT X 3/8" BARB, NYLON	1
20	H-04763	.375 NPT X .50 BARB	1
21	H-04764	ELBOW, 3/8" MNPT X 1/2" BARB X 90 DEG, NYLON	2
22	H-04776	.75 NPT X .50 BARB	1
23	H-04787	.75 NPT X .75 NPT FEMALE ELBOW	1
24	H-081	CLAMP 7/16"- 25/32" SS	9
25	H-62002	HOSE CLAMP, #4 S/S	1
26	H-70003	HCS 1/4"-20 X 3/4" SS	2
27	H-70860	NYLOK 1/4"- 20 SS	6
28	H-70925	KN 1/4-20 S/S	6
29	H-71009	FW #10 SS	2
30	H-71013	FW 1/4 ID X 5/8 OD SS	8
31	H-71063	LW 1/4" SS	2
32	H-72534	PPH #10-32 X 3/4" S/S	2
33	H-72536	PPH #10-32 X 1" S/S	2
34	H-74400	CB 1/4"- 20 X 6.0" SS	6
35	H-9307K74	GROMMET, 1" ID X 1-3/4" OD BUNA-N	1
36	M-5463K727	WYE, 1/2", NYLON	1
37	M-90130A029	.25" NEOPRENE WASHER	6



Item	Part No.	Part Description	Qty.
1	190-1450	VAC BOX	2
2	190-3002	VAC MOTOR GASKET	2
3	250-0119	1/4" ID X 9-1/2" HOSE	1
4	250-5250	36V VAC MOTOR, TANGENTIAL	2
5	250-7291	EXHAUST ELBOW	2
6	290-7212	1-1/2" - 2" HOSE CUFF	2
7	370-0122	VAC FAN MUFLER	1
8	370-0122	VAC MUFLER HOSE	1
9	370-4072	1-1/2" 90%DI ELBOW	2
10	390-1505	LOADER VALVE	2
11	390-2328	SWITCH, VACUUM SHUTOFF	1
12	390-2328A	VACUUM SWITCH BARB	1
13	430-2502	VACUUM FAN MUFLER	2
14	5-719	CLAMP 1 9/16 - 2 1/2 " SS	2
15	5-719	CLAMP 1 9/16 - 2 1/2 " SS	2
16	8-914	1.5" BARBED TEE	1
17	H-0427637	CLAMP 2" - 3"	4
18	H-62005	CLAMP 5/8"- 1-1/2" SS	2
19	H-72515	PPH #10-32 X 1/2" S/S	1

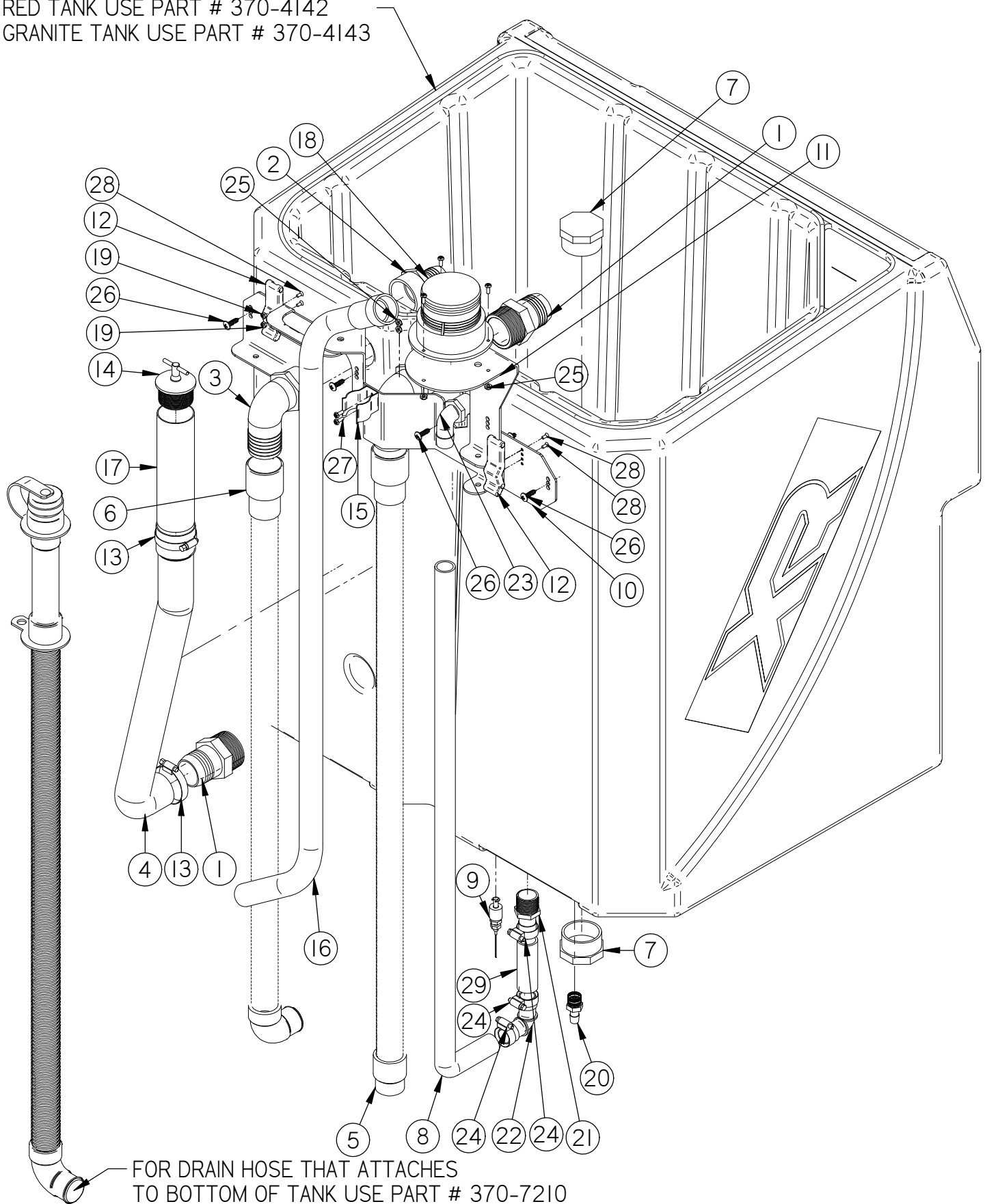


Item	Part No.	Part Description	Qty.
1	170-8911	SCREEN STRAINER, 4-1/4" LG	1
2	21-2230	MICRO SWITCH	2
3	250-1240	LATCH	2
4	290-4148	7/32" POLYPROPYLENE BALL	1
5	290-4149	1/4" NPT X 1/4" BARB X 90 DEG	2
6	370-1590	SIGHT TUBE	1
7	370-5226	FLOAT VALVE SWITCH	1
8	370-8261	CHARGER COUNTER	1
9	390-2576	175A GREY CONNECTOR	1
10	5-122	8" SS HINGE	2
11	5-728	DETERGENT WARNING PLATE	2
12	600-1220	4" SS HINGE	1
13	600-7390	VAC INLET GASKET	1
14	700-1102	BATTERY LID	1
15	700-1220	STRAINER HOLDER	1
16	700-4111	SOLUTION FILL LID	1
17	700-4140	XR SOLUTION TANK	1
18	700-4152	SOLUTION TANK LID	1
19	700-4153	TANL LID GASKET	1
20	8-143	SEAT WITH ARM RESTS	1
21	8-180	HINGE, 6-7/8" S/S	1
22	H-04907	3/4" NPT TO 3/4" BARBED ELBOW	1
23	H-37018	NYLOK 1/4"-20	2
24	H-37708	1/4-20 LC ACORN NUT	9
25	H-41007	AB4-3A BLIND RIVET	8
26	H-70001	HCS 1/4"-20 X 1/2 SS"	5
27	H-70002	HCS 1/4"-20 X 5/8" SS	4
28	H-70854	NYLOK #4-40 SS	4
29	H-70861	NYLOK 5/16" - 18 SS	4
30	H-71013	FW 1/4 ID X 5/8 OD SS	9
31	H-71063	LW 1/4" SS	9
32	H-71893	1/4 X 3/4 SELF TAPPING SCREW	9
33	H-72490	PPH #4-40 X 3/4" S/S	4
34	H-72916	PPH SMS #8 X 3/4" SS	4
35	H-74418	CB 1/4"- 20 X 5/8" S/S	4
36	H-74421	CB 1/4"- 20 X 1-1/4" SS	2
37	H-9307K74	GROMMET, 1" ID X 1-3/4" OD BUNA-N	1
38	M-8146A44	GREY TANK RUBBER 9 INCH	1
39	M-8146A44	GREY TANK RUBBER 5 INCH	1
40	M-9307K23	GROMMET, 3/8 ID X 7/8 OD X 1/8 TH.	8



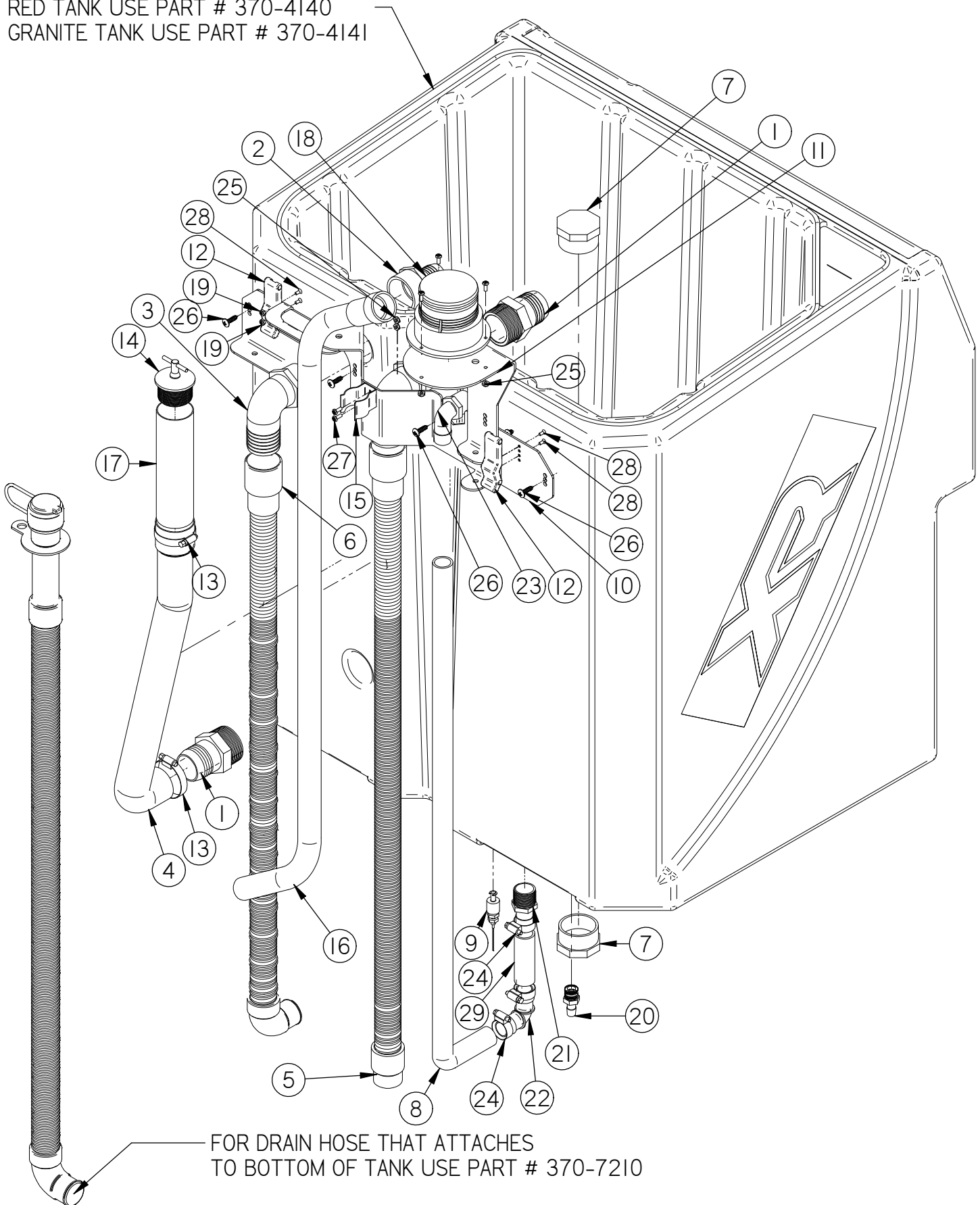
Item	Part No.	Part Description	Qty.
1	190-1210	2.0 NPT X 2.0" BARB	1
2	255-0115	VAC HOSE	1
3	290-7040	2" NPT X 2" BARB STREET ELBOW, BLACK	1
4	290-7210		1
5	370-4060	6" LANYARD	1
6	370-7040	TANK CABLE	2
7	38-712	OVERFILL SHUTOFF BALL	1
8	38-738	STRAINER GASKET	1
9	4-124	LATCH	1
10	5-719	CLAMP 1 9/16 - 2 1/2 " SS	2
11	5-727	DRAIN HOSE PLUG	1
12	5-920	DRAIN HOSE END TUBE	1
13	500-7181	(RH) TANK UTILITY HANDLE	1
14	600-0111	SQUEEGEE HOSE	1
15	600-1075	PUSH-ON RUBBER GASKET	1
16	600-1220	4" SS HINGE	1
17	600-1240	600-1240 clip.psm	2
18	600-1410	VAC FORMED CLEAR COVER	1
19	600-7390	VAC INLET GASKET	1
20	600-8913	DEFLECTOR PLATE	1
21	700-1370	SIGHT TUBE	1
22	700-4110	VAC SCREEN INLET	1
23	700-7020	TANK CABLE GUARD PLATE	2
24	700-8912	DRAIN SAVER BASKET	1
25	8-911	SCREEN STRAINER	1
26	H-37708	1/4-20 LC ACORN NUT	3
27	H-4440024	FW 3/8" X 3/4 NYLON	1
28	H-68600	1/2" NPT BRASS NUT	1
29	H-69843	.50 NPT CAP	1
30	H-70001	HCS 1/4"-20 X 1/2 SS"	3
31	H-70003	HCS 1/4"-20 X 3/4" SS	2
32	H-70858	NYLOK #10-32 SS	3
33	H-71013	FW 1/4 ID X 5/8 OD SS	3
34	H-71063	LW 1/4" SS	5
35	H-71893	1/4 X 3/4 SELF TAPPING SCREW	2
36	H-71894	#14 X 1" SELF TAPPING SCREW	3
37	H-72517	PPH #10-32 X 5/8" SS	1
38	H-72534	PPH #10-32 X 3/4" S/S	4
39	H-72682	FHP #10-32 X 1/2" SS	2
40	H-72916	PPH SMS #8 X 3/4" SS	1
41	H-90133	.170 ID X .50 OD X .093 TH NEOPRENE WASHER	1
42	H-9307K74	GROMMET, 1" ID X 1-3/4" OD BUNA-N	1
43	M-5346K68	.50 NPT X .75 BARB	1

RED TANK USE PART # 370-4142
GRANITE TANK USE PART # 370-4143

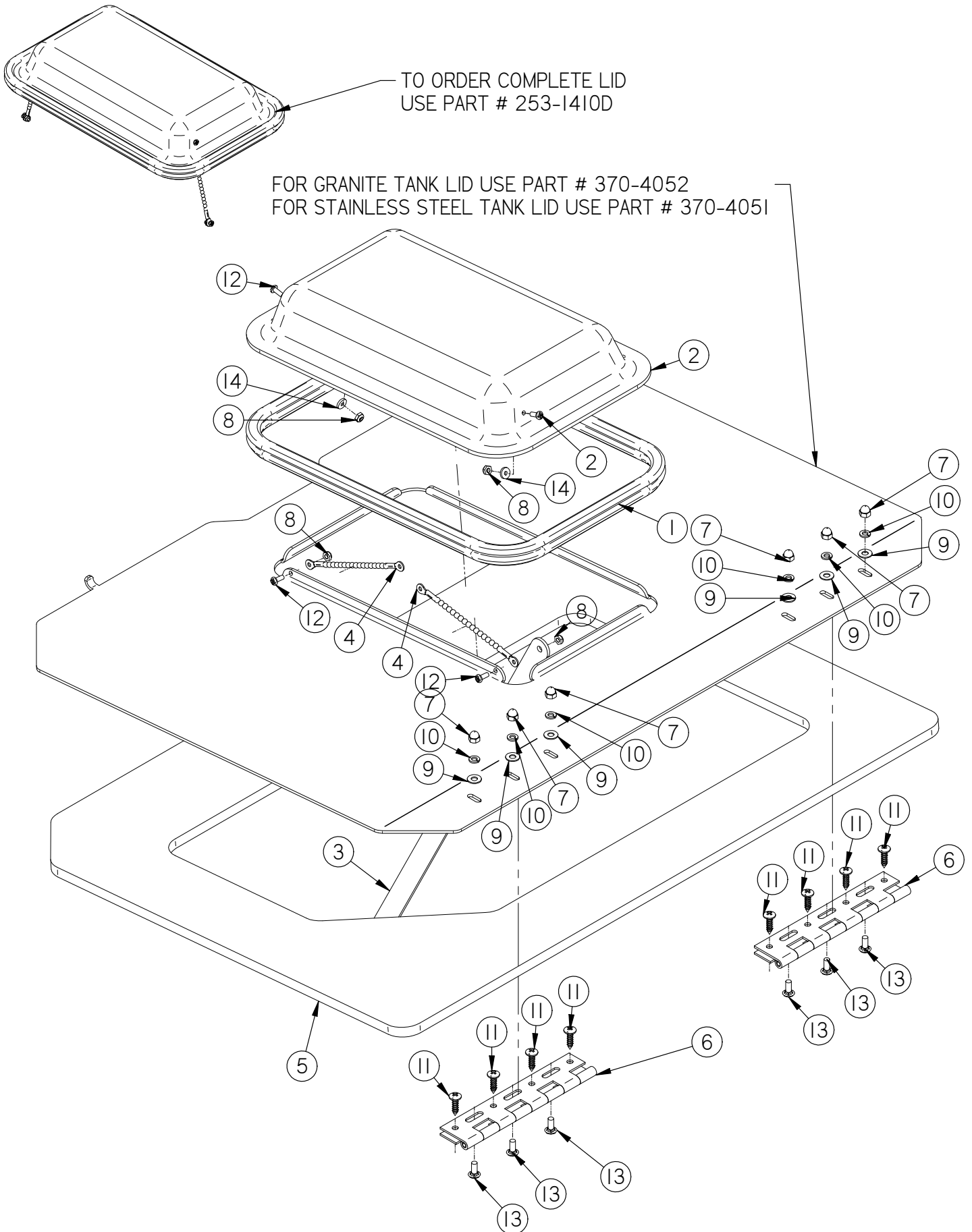


Item	Part No.	Part Description	Qty.
1	190-1210	2.0 NPT X 2.0" BARB	2
2	190-1215	2.0 NPT X 1.50 BARB	1
3	290-7040	2" NPT X 2" BARB STREET ELBOW, BLACK	2
4	290-7210	2" DRAIN HOSE	1
5	370-0111	SQUEEGEE HOSE	1
6	370-0114	TANK TO VAC HOSE	1
7	370-1210	2" NPT TANK PLUG	2
8	370-1370	SIGHT TUBE	1
9	370-5226	FLOAT VALVE SWITCH	1
10	370-7180	TANK UTILITY HANDLE	1
11	370-7185	STROBE LIGHT BRACKET	1
12	4-124	LATCH	2
13	5-719	CLAMP 1 9/16 - 2 1/2 " SS	2
14	5-727	DRAIN HOSE PLUG	1
15	5-886	WAND CLIP	1
16	5-887	VAC WAND	1
17	5-920	DRAIN HOSE END TUBE	1
18	8-293	STROBE LIGHT	1
19	H-0170996	JAM NYLOK #8-32 SS	4
20	H-04788	.50 NPT X .50 BARB	1
21	H-04789	1.0 NPT X 1.0 BARB	1
22	H-04790	1.0" BARB X 1.0" BARB ELBOW	1
23	H-04791	1" NPT TO 1" BARBED ELBOW	1
24	H-62005	CLAMP 5/8"- 1-1/2" SS	3
25	H-70858	NYLOK #10-32 SS	4
26	H-71894	#14 X 1" SELF TAPPING SCREW	5
27	H-72515	PPH #10-32 X 1/2" S/S	5
28	H-72641	FHP #8-32 X 3/8" SS	4
29	T-100R0350	1" X 3-1/2" REINFORCED TUBING	1

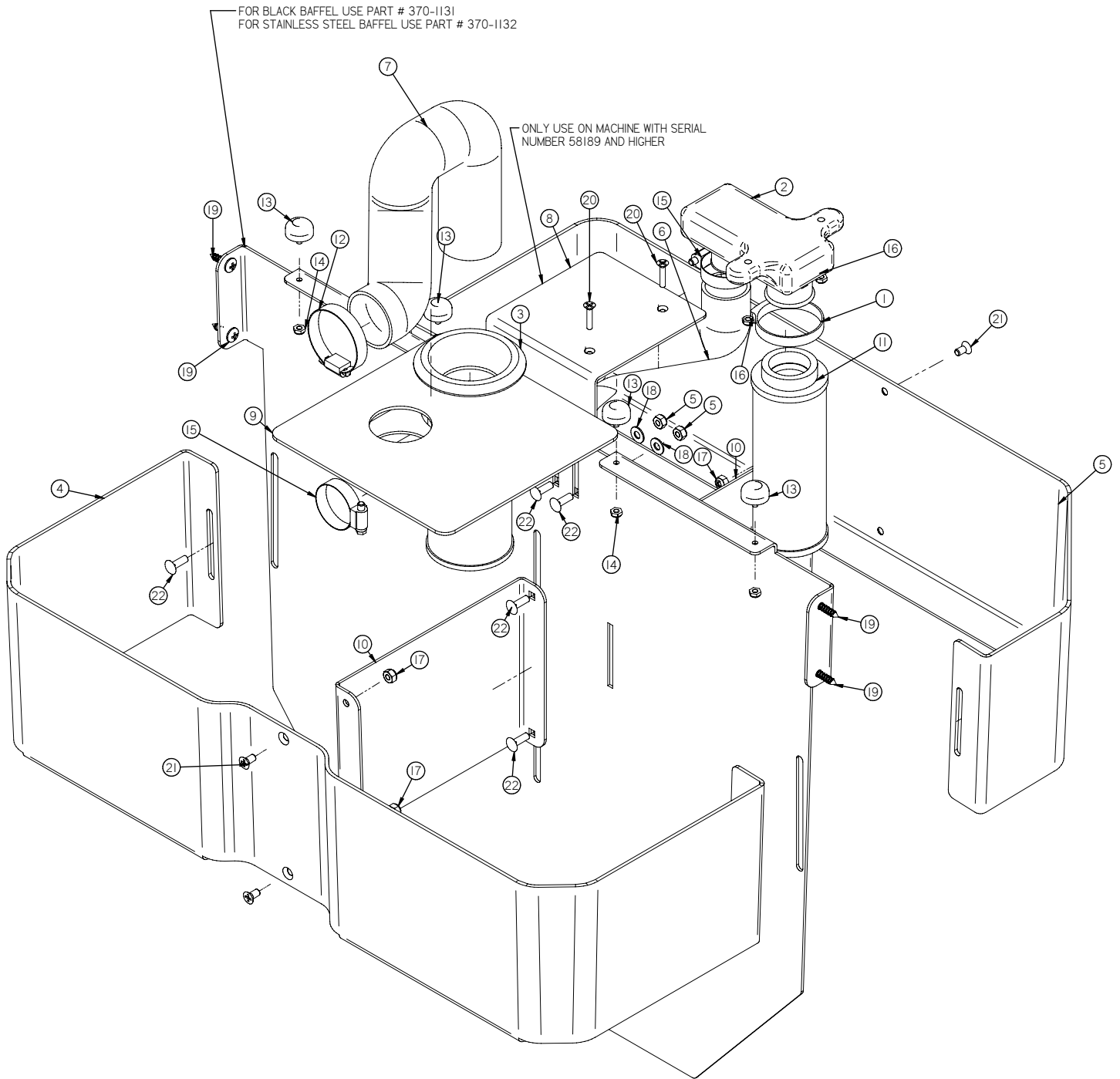
RED TANK USE PART # 370-4140
GRANITE TANK USE PART # 370-4141



Item	Part No.	Part Description	Qty.
1	190-1210	2.0 NPT X 2.0" BARB	2
2	190-1215	2.0 NPT X 1.50 BARB	1
3	290-7040	2" NPT X 2" BARB STREET ELBOW, BLACK	2
4	290-7210	2" DRAIN HOSE	1
5	370-0111	SQUEEGEE HOSE	1
6	370-0114	TANK TO VAC HOSE	1
7	370-1210	2" NPT TANK PLUG	2
8	370-1370	SIGHT TUBE	1
9	370-5226	FLOAT VALVE SWITCH	1
10	370-7180	TANK UTILITY HANDLE	1
11	370-7185	STROBE LIGHT BRACKET	1
12	4-124	LATCH	2
13	5-719	CLAMP 1 9/16 - 2 1/2 " SS	2
14	5-727	DRAIN HOSE PLUG	1
15	5-886	WAND CLIP	1
16	5-887	VAC WAND	1
17	5-920	DRAIN HOSE END TUBE	1
18	8-293	STROBE LIGHT	1
19	H-0170996	JAM NYLOK #8-32 SS	4
20	H-04788	.50 NPT X .50 BARB	1
21	H-04789	1.0 NPT X 1.0 BARB	1
22	H-04790	1.0" BARB X 1.0" BARB ELBOW	1
23	H-04791	1" NPT TO 1" BARBED ELBOW	1
24	H-62005	CLAMP 5/8"- 1-1/2" SS	3
25	H-70858	NYLOK #10-32 SS	4
26	H-71894	#14 X 1" SELF TAPPING SCREW	5
27	H-72515	PPH #10-32 X 1/2" S/S	5
28	H-72641	FHP #8-32 X 3/8" SS	4
29	T-100R0350	1" X 3-1/2" REINFORCED TUBING	1

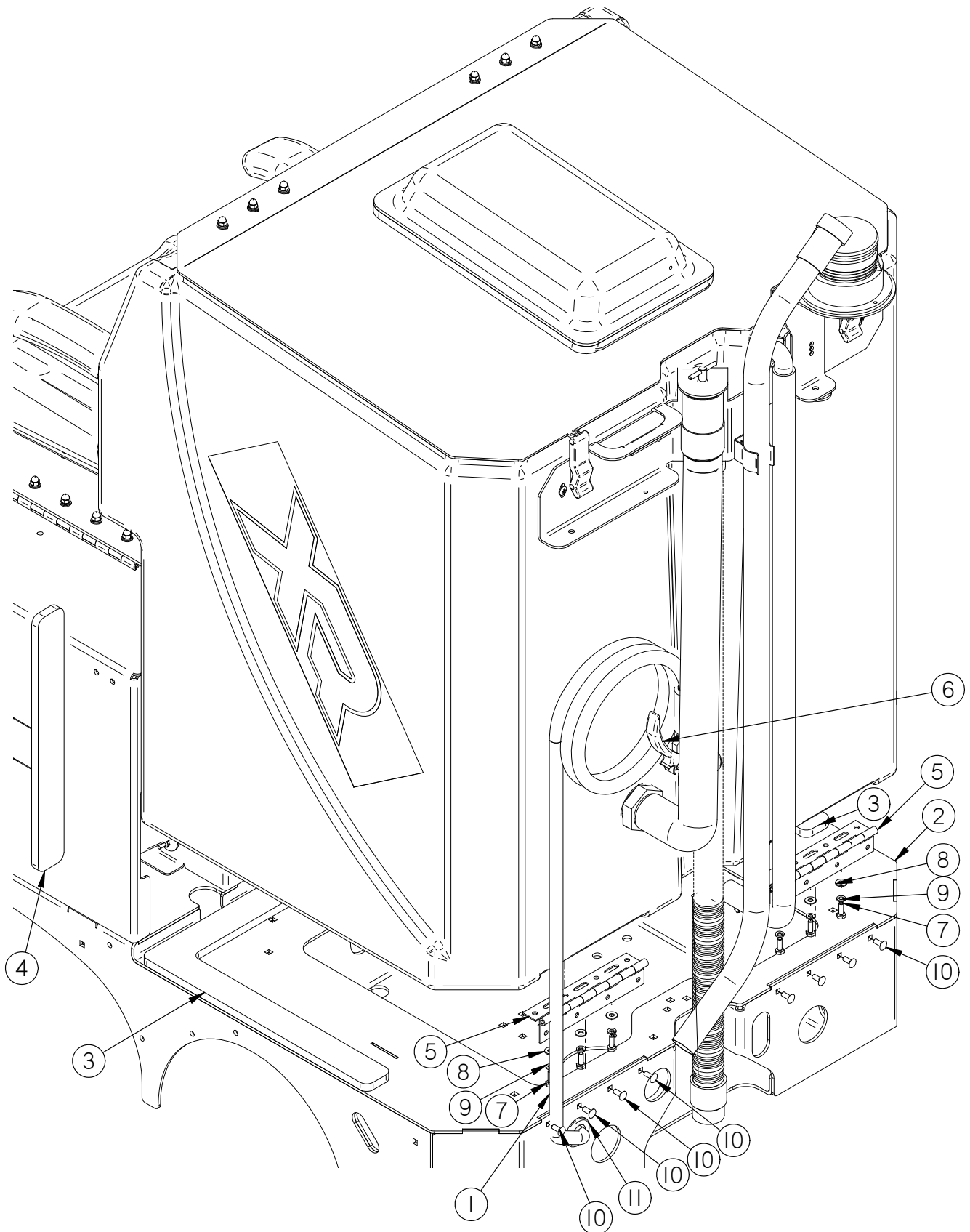


Item	Part No.	Part Description	Qty.
1	253-1075	PUSH-ON RUBBER GASKET	1
2	253-1410	VAC FORMED CLEAR COVER	1
3	370-1130	HOOD STAND	1
4	370-4060	6" LANYARD	2
5	370-7420	TANK LID GASKET	1
6	5-122	8" SS HINGE	2
7	H-37708	1/4-20 LC ACORN NUT	6
8	H-70858	NYLOK #10-32 SS	4
9	H-71013	FW 1/4 ID X 5/8 OD SS	6
10	H-71063	LW 1/4" SS	6
11	H-71894	#14 X 1" SELF TAPPING SCREW	8
12	H-72515	PPH #10-32 X 1/2" S/S	4
13	H-74418	CB 1/4"- 20 X 5/8" S/S	6
14	H-90133	.170 ID X .50 OD X .093 TH NEOPRENE WASHER	2



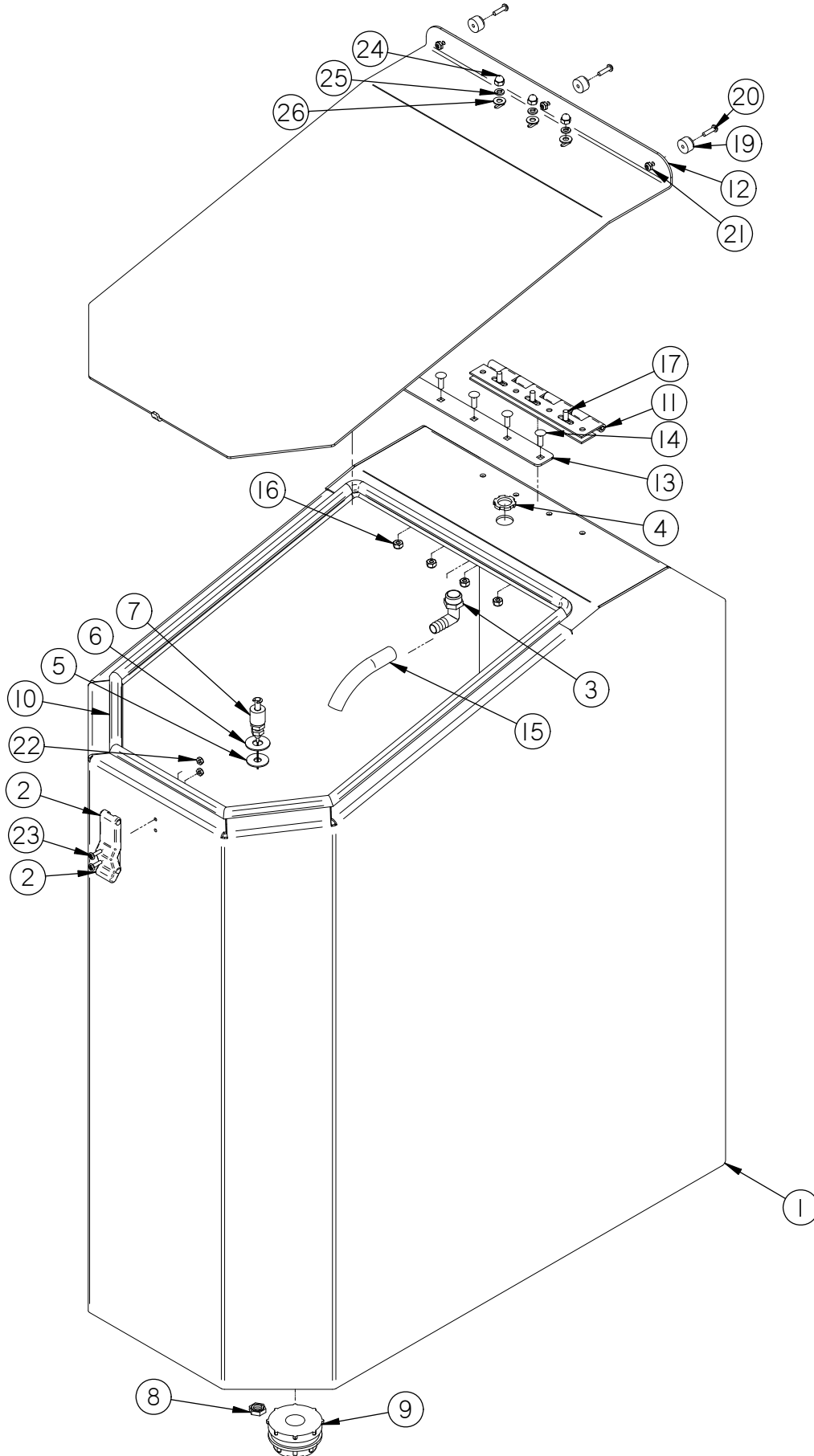
Tank Baffle

Item	Part No.	Part Description	Qty.
1	21-4028	SNAP GRIP CLAMP	1
2	21-7060	VAC BOX	1
3	250-8911	SCREEN STRAINER	1
4	370-0081	TANK BAND, REAR	1
5	370-0082	TANK BAND, FRONT	1
6	370-0120	1-1/2(ID) X 16" LG. TANK HOSE	1
7	370-0121	2" ID X 15" LG. TANK HOSE	1
8	370-1123	BALL FLOAT HOLDER	1
9	370-1129	TANK BACK SPLASH	1
10	370-1133	TANK BRACE	2
11	370-4085	VAC SCREEN	1
12	5-719	CLAMP 1 9/16 - 2 1/2 " SS	1
13	H-01201	GROMMET	4
14	H-0129154	JAM NYLOK #10-24 SS	4
15	H-0427612	CLAMP 3/4"- 1-3/4" SS	2
16	H-70858	NYLOK #10-32 SS	2
17	H-70860	NYLOK 1/4"- 20 SS	10
18	H-71013	FW 1/4 ID X 5/8 OD SS	2
19	H-71894	#14 X 1" SELF TAPPING SCREW	4
20	H-72685	FHP 10-32 X 1" SS	2
21	H-72704	FHP 1/4"- 20 X 1/2" SS	4
22	H-74419	CB 1/4"- 20 X .75" SS	6

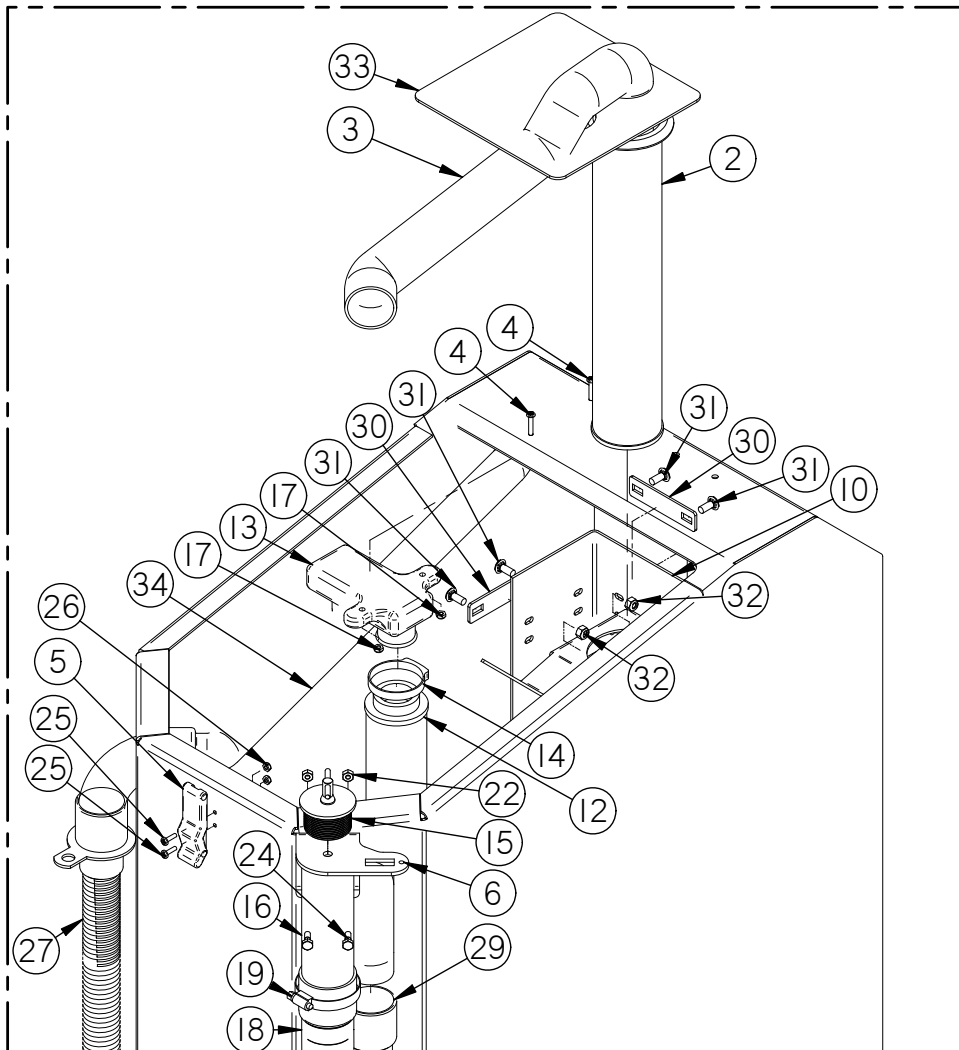
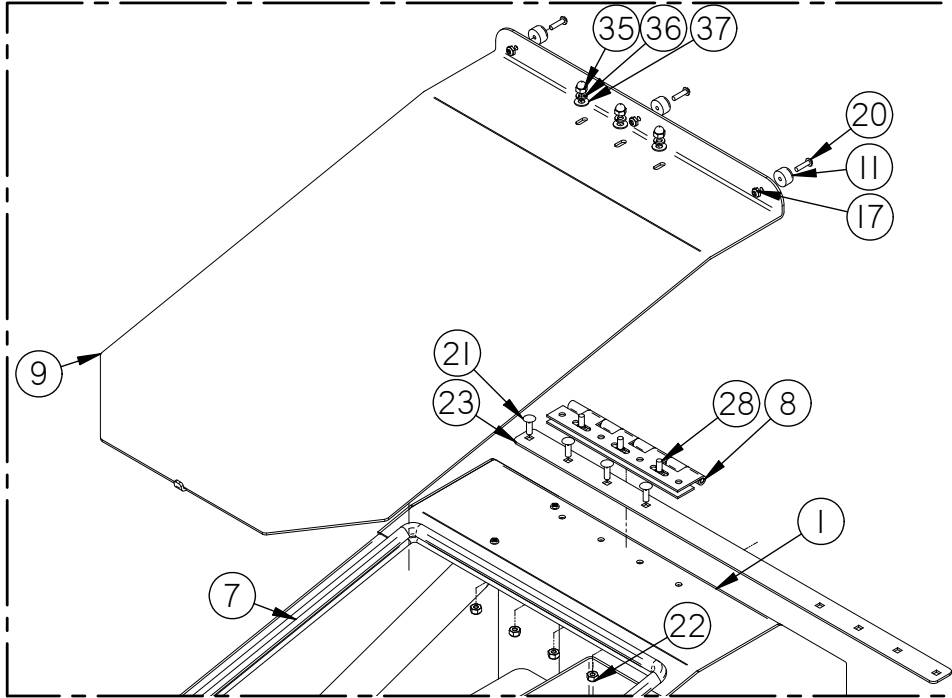


Tank Mounting

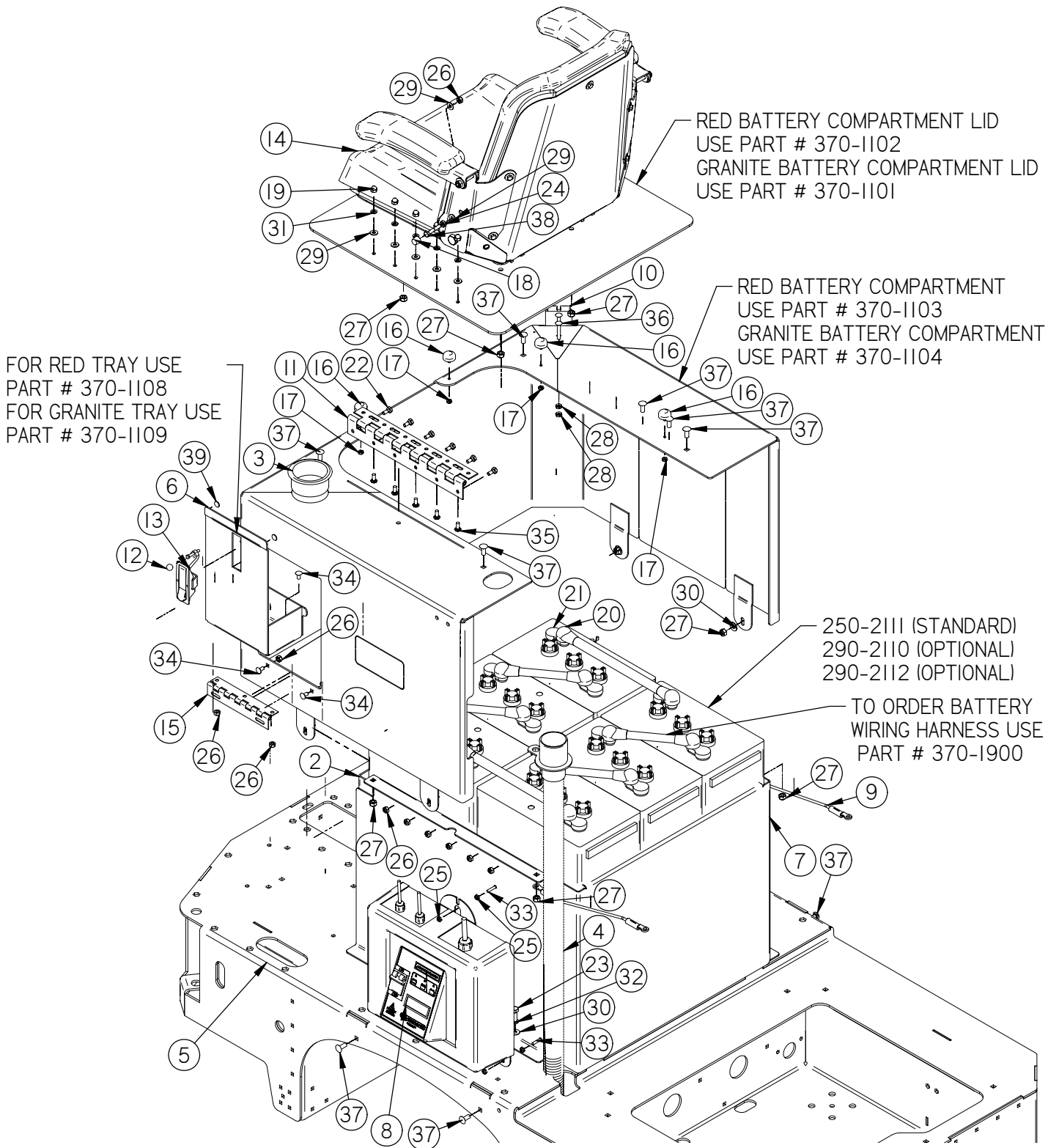
Item	Part No.	Part Description	Qty.
1	290-8960	SPRAY JET HOSE	1
2	370-1100	MAIN FRAME	1
3	370-7421	TANK GASKET	2
4	370-7422	TANK GASKET	2
5	5-122	HINGE 8" SS	2
6	5-895	SPRAY NOZZLE	1
7	H-70003	HCS 1/4"- 20 X 3/4" SS	6
8	H-71013	FNW 1/4" X 5/8" SS	5
9	H-71063	LW 1/4" SS	6
10	H-74418	CB 1/4"- 20 X 5/8" S/S	8
11	H-9307K74	GROMMET, 1" ID X 1-3/4" OD BUNA-N	1



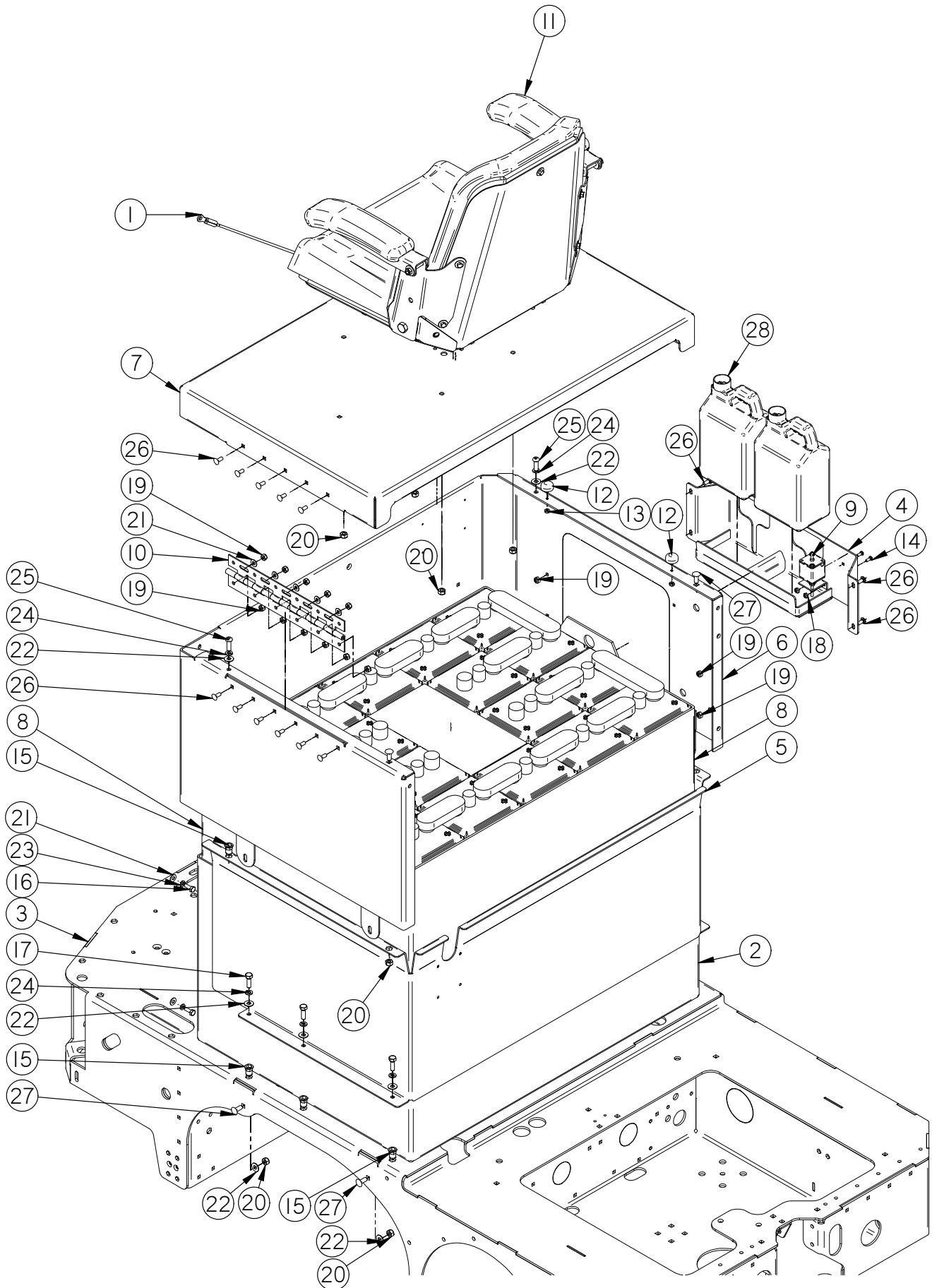
Item	Part No.	Part Description	Qty.
1	370-5140	XR SS SOLUTION TANK	1
2	4-124	LATCH	1
3	5-447	1/2 NPT X 1/2" BARB ELBOW	1
4	H-07005	1/2" NPT LOCKNUT	1
5	H-4440040	.375 ID X 1.125 OD RUBBER WASHER	1
6	H-95611	FW 1/2" PVC	1
7	370-5226	FLOAT VALVE SWITCH	1
8	H-90215	SSLN .50-20	1
9	395-414A	BULKHEAD FITTING, 1.0" FNPT	1
10	390-4100	PUSH-ON RUBBER GASKET 67" LG	1
11	5-122	8" SS HINGE	1
12	370-4112	TANK LID	1
13	370-4114	TANK CONNECTING BRACKET	1
14	H-74419	CB 1/4"- 20 X .75" SS	4
15		1/2" X 4" CLEAR TUBE	1
16	H-70860	NYLOK 1/4"- 20 SS	4
17	H-74418	CB 1/4"- 20 X 5/8" S/S	3
19	H-9540	RUBBER BUMPER, 25/32"	3
20	H-72534	PPH #10-32 X 3/4" S/S	3
21	H-70858	NYLOK #10-32 SS	3
22	H-70856	NYLOK #8-32 SS	2
23	H-72399	PPH #8-32 X 5/8" S/S	2
24	H-37708	1/4-20 LC ACORN NUT	3
25	H-71063	LW 1/4" SS	3
26	H-71013	FW 1/4 ID X 5/8 OD SS	3



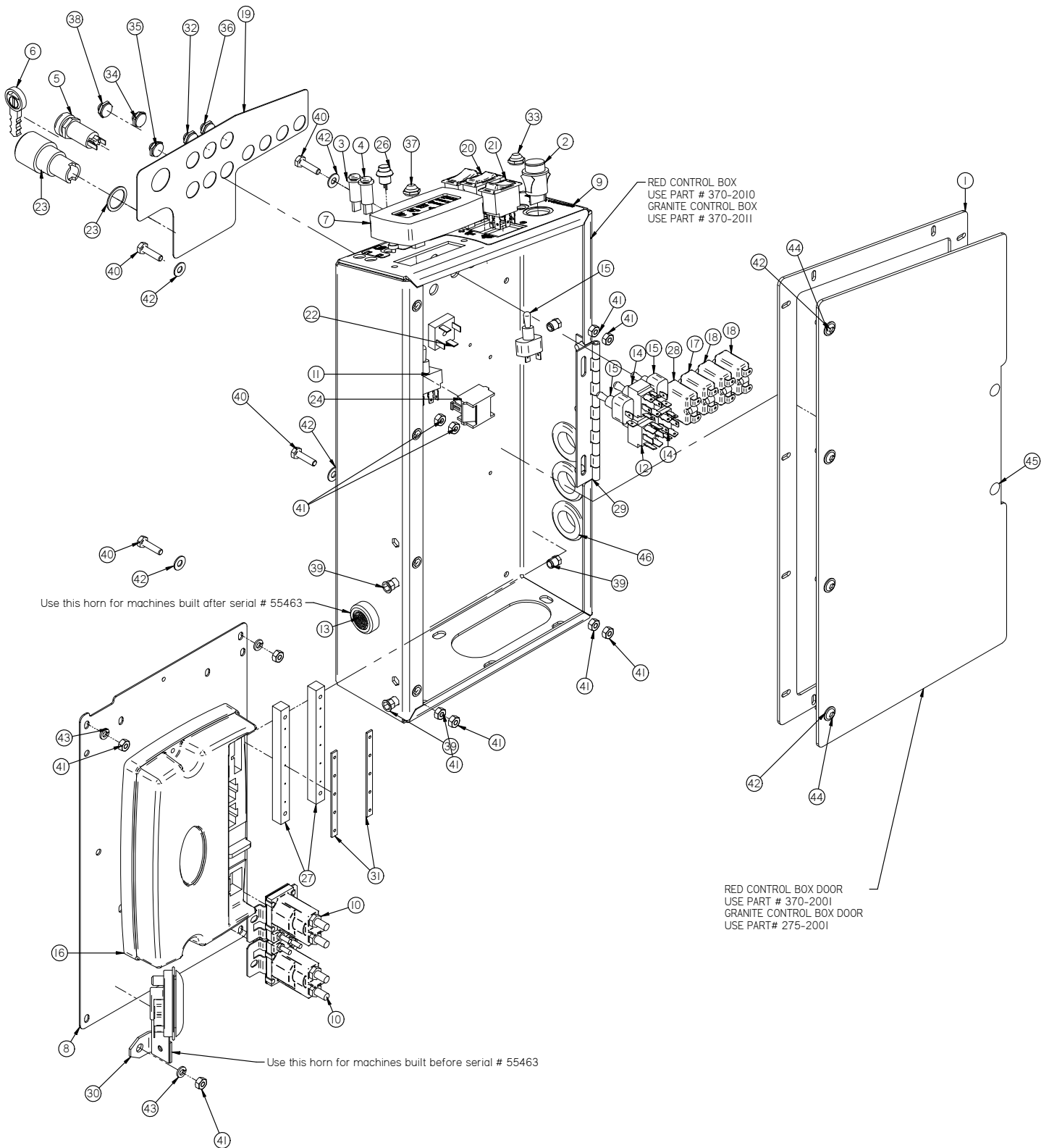
Item	Part No.	Part Description	Qty.
1	370-8010	XR SS RECOVERY TANK	1
2	250-8911	SCREEN STRAINER	1
3	253-0121	SS REC. TANK HOSE	1
4	H-72536	PPH #10-32 X 1" S/S	2
5	4-124	LATCH	1
6	390-7185	DRAIN HOSE BRACKET	1
7	390-4100	PUSH-ON RUBBER GASKET 67" LG	1
8	5-122	8" SS HINGE	1
9	370-4112	TANK LID	1
10	395-7015	DRAIN SAVER CURTAIN	1
11	H-9540	RUBBER BUMPER, 25/32"	3
12	370-4085	VAC SCREEN	1
13	21-7060	VAC BOX	1
14	21-4028	SNAP GRIP CLAMP	1
15	5-727	DRAIN HOSE PLUG	1
16	5-920	DRAIN HOSE END TUBE	1
17	H-70858	NYLOK #10-32 SS	5
18	290-7210	DRAIN HOSE	1
19	H-0427617	CLAMP 2" - 3"	1
20	H-72534	PPH #10-32 X 3/4" S/S	3
21	H-74419	CB 1/4"- 20 X .75" SS	4
22	H-70860	NYLOK 1/4"- 20 SS	6
23	370-4114	TANK CONNECTING BRACKET	1
24	H-70003	HCS 1/4"-20 X 3/4" SS	2
25	H-72399	PPH #8-32 X 5/8" S/S	2
26	H-70856	NYLOK #8-32 SS	2
27	370-0112	TANK TO VAC HOSE	1
28	H-74418	CB 1/4"- 20 X 5/8" S/S	3
29	370-0111	SQUEEGEE HOSE	1
30	253-1040	TANK STRAP SUPPORT	2
31	H-74429	CB 5/16"- 18 X 3/4" SS	4
32	H-70861	NYLOK 5/16" - 18 SS	4
33	370-1129	TANK BACK SPLASH	1
34	370-0123	1-1/2" ID X 32" LG. HOSE W/2" CUFF	1
35	H-37708	1/4-20 LC ACORN NUT	3
36	H-71063	LW 1/4" SS	3
37	H-71013	FW 1/4 ID X 5/8 OD SS	3



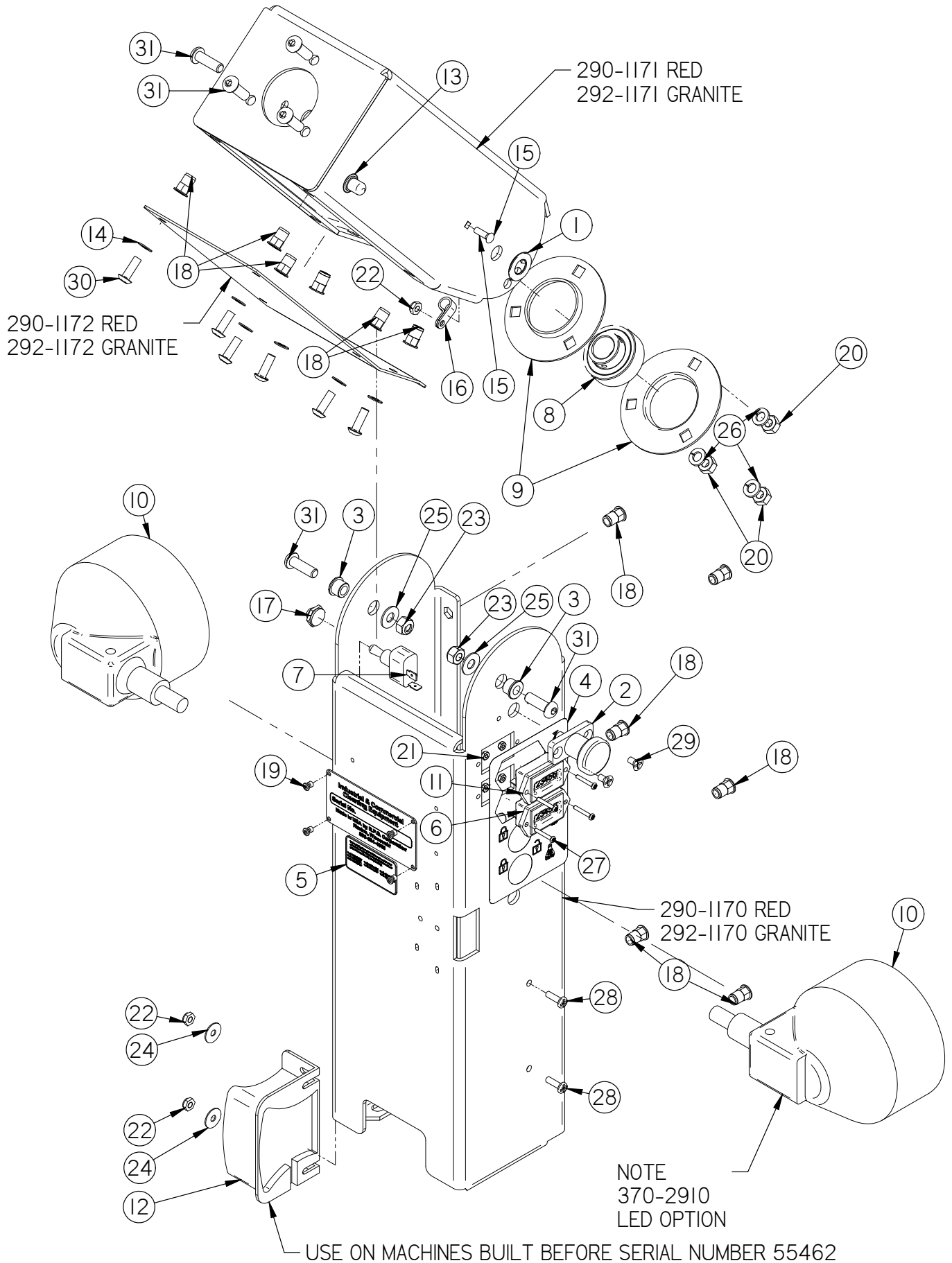
Item	Part No.	Part Description	Qty.
1	21-2230	MICRO SWITCH	1
2	370-0000	370 BATTERY BOX	1
3	370-0014	CUP HOLDER	1
4	370-0112	TANK TO VAC HOSE	1
5	370-1100	MAIN FRAME	1
6	370-1108	(2) QUART TRAY	1
7	370-1201	SEAT SUPPORT	1
8	370-2441	ON BOARD CHARGER	1
9	370-7040	TANK CABLE	2
10	390-2576	350 GREY CONNECTOR WITH I/O CONTACTS	1
11	430-1225	13" SS HINGE	1
12	5-100	GROMMET	1
13	5-130	DOOR LATCH	1
14	8-143	SEAT WITH ARM RESTS	1
15	8-180	HINGE, 6-7/8" S/S	1
16	H-01201	GROMMET	4
17	H-0129154	JAM NYLOK #10-24 SS	4
18	H-083	BOLT HEAD CAP	1
19	H-37708	1/4-20 LC ACORN NUT	5
20	H-40031	BATTERY BOOT	12
21	H-400317	TERMINAL COVER	12
22	H-70002	HCS 1/4"-20 X 1/2 SS"	6
23	H-70055	HCS 5/16"- 18 X 1" SS	4
24	H-70710	HN 1/4"- 20 SS	1
25	H-70858	NYLOK #10-32 SS	6
26	H-70860	NYLOK 1/4"- 20 SS	11
27	H-70861	NYLOK 5/16" - 18 SS	16
28	H-70925	KN 1/4-20 S/S	2
29	H-71013	FNW 1/4" X 5/8" SS	7
30	H-71015	FW 5/16" X 3/4" SS	8
31	H-71063	LW 1/4" SS	5
32	H-71065	LW 5/16" SS	4
33	H-72685	FHP 10-32 X 1" SS	3
34	H-74417	CB 1/4"- 20 X .5" SS	4
35	H-74418	CB 1/4"- 20 X 5/8" S/S	5
36	H-74422	CB 1/4"- 20 X 1-1/2" SS	2
37	H-74429	CB 5/16"- 18 X 3/4" SS	10
38	H-77009	HCS 1/4"- 20 X 1.5" SS	1
39	H-87712	FELT TABS	2



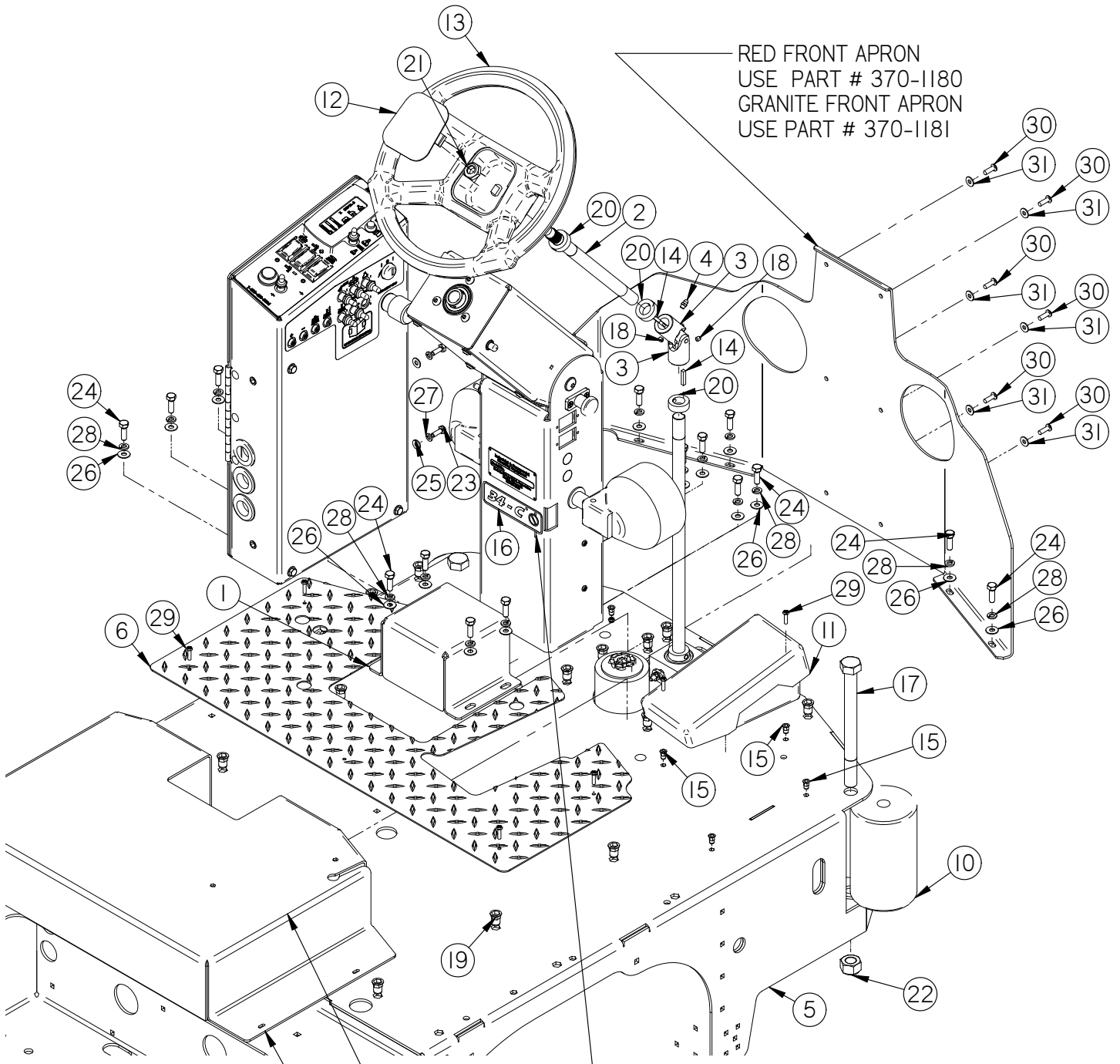
Item	Part No.	Part Description	Qty.
1	253-7890	SQUEEGEE LIFT CABLE, 27-5/8"	1
2	370-0006	INDUSTRIAL BATTERY BOX	1
3	370-1100	MAIN FRAME	1
4	370-1121	INDUSTRIAL SOAP TRAY	1
5	370-1212	SEAT SUPPORT (RIBB)	1
6	370-1213	BATTERY COMPARTMENT (RIBB)	1
7	370-1215	BATTERY BOX LID (RIBB)	1
8	370-2110	INDUSTRIAL BATTERY	1
9	395-8500	SOAP PUMP, 36V	1
10	430-1225	13" SS HINGE	1
11	8-143	SEAT WITH ARM RESTS	1
12	H-01201	GROMMET	2
13	H-0129154	JAM NYLOK #10-24 SS	2
14	H-0172518	CB #10-32 X 1/2" SS	2
15	H-312HCN	HCN 5/16"-18	7
16	H-70003	HCS 1/4"-20 X 3/4" SS	2
17	H-70055	HCS 5/16"- 18 X 1" SS	6
18	H-70858	NYLOK #10-32 SS	2
19	H-70860	NYLOK 1/4"- 20 SS	15
20	H-70861	NYLOK 5/16" - 18 SS	8
21	H-71013	FW 1/4 ID X 5/8 OD SS	7
22	H-71015	FW 5/16 ID X 3/4 OD SS	10
23	H-71063	LW 1/4" SS	2
24	H-71065	LW 5/16" SS	8
25	H-73780	BHSCS 5/16-18 X 1	2
26	H-74418	CB 1/4"- 20 X 5/8" S/S	15
27	H-74429	CB 5/16"- 18 X 3/4" SS	4
28	PC797-6x05	1/2 GALLON SUPERCON SOAP JUG	2



Item	Part No.	Part Description	Qty.
1	290-2004	ACCESS COVER GASKET	1
2	290-2015	ONE TOUCH BUTTON	1
3	290-2300	LOW SOLUTION (AMBER)	1
4	290-2310	FULL RECOVERY (RED)	1
5	290-234	KEY SWITCH (WITH KEY)	1
6	290-234A	KEY SET (REPLACE)	1
7	290-2891	LCD SCREEN	1
8	370-2006	HARDWARE PANEL	1
9	370-2013	CONTROL PANEL TOP PLATE	1
10	370-2331	RELAY, 36V, SMALL W/FLAT MTG PLATE	2
11	370-2830	SWITCH, TOGGLE, MOM/OFF/MOM (DPDT)	1
12	370-2831	SWITCH, TOGGLE, ON/OFF/ON (DPDT)	1
13*	370-2920	ALARM	1
14	370-8210	SWITCH, TOGGLE, ON/ON (DPDT)	2
15	370-8920	TOGGLE, ON-OFF SPST	3
16	390-2899	CONTROLLER V4	1
17	390-9610	FUSE, RESETTABLE, 10 AMP, 50V DC MAX	1
18	390-9615	FUSE, RESETTABLE, 15 AMP, 50V DC MAX	2
19	420-1502	Central Command Decal	1
20	5-233	MOM-OFF-MOM DPDT	1
21	5-234	SWITCH, ROCKER, DPDT, ON/ON	2
22	5-296	DIODE BRIDGE	1
23	5-300	EMERGENCY SHUT OFF	1
24	5-302	EMERGENCY CONTACT BLACK	1
25*	5-728	DETERGENT WARNING PLATE	1
26	7-229D	PUSH BUTTON SWITCH	1
27	7-287	BUSS BAR UHMW	2
28	7-837	FUSE RESETTABLE 2 AMP	1
29	8-180	HINGE, 6-7/8" S/S	1
30	8-294	HORN	1
31	E-5HBB	5 HOLE BUSS BAR	2
32	H-11195	PROTECTIVE BOOT, TOGGLE SWITCH, (WHITE)	1
33	H-11196	PROTECTIVE BOOT, TOGGLE SWITCH, (RED)	1
34	H-11197	PROTECTIVE BOOT, TOGGLE SWITCH, (YELLOW)	1
35	H-11198	PROTECTIVE BOOT, TOGGLE SWITCH, (GREEN)	1
36	H-11199	PROTECTIVE BOOT, TOGGLE SWITCH, (BLUE)	1
37	H-11200	PROTECTIVE BOOT, TOGGLE SWITCH, (BLACK)	1
38	H-11201	PROTECTIVE BOOT, TOGGLE SWITCH, (GRAY)	1
39	H-250HCN	HCN 1/4"-20	8
40	H-70005	HCS 1/4"- 20 X 1" SS	4
41	H-70710	HN 1/4"- 20 SS	12
42	H-71013	FW 1/4 ID X 5/8 OD SS	8
43	H-71063	LW 1/4" SS	4
44	H-73754	BHSCS 1/4 - 20 X 3/4" SS	4
45	H-74417	CB 1/4"- 20 X .5" SS	5
46	H-9307K74	GROMMET, 1" ID X 1-3/4" OD BUNA-N	3



Item	Part No.	Part Description	Qty.
1	290-1247	BRONZE THRUST BEARING, .50" ID X 1.0" OD X 1/16" TH	2
2	290-7050	INDEX PLUNGER	1
3	370-1245	BUSHING	2
4	370-7204	METER STICKER	1
5	370-7206	PATENT PLATE	1
6	370-8261	CHARGER COUNTER	1
7	370-8920	TOGGLE, ON-OFF SPST	1
8	4-352	BEARING	1
9	4-364A	FLANGE, 1.75" ID	2
10	430-2910	36V HEADLIGHT	2
11	8-262	HOUR METER	1
12	8-292	BACKUP ALARM	1
13	8-294B	PUSH BUTTON SWITCH, SILVER	1
14	H-00282	FW 1/4" NYLON	6
15	H-0172519	CB #10-32 X 5/8" SS	1
16	H-02239	3/8" NYLON LOOP CLAMP	1
17	H-11200	PROTECTIVE BOOT, TOGGLE SWITCH, (BLACK)	1
18	H-250HCN	HCN 1/4"-20	12
19	H-41007	AB4-3A BLIND RIVET	4
20	H-70711	HN 5/16"- 18 SS	4
21	H-70854	NYLOK #4-40 SS	4
22	H-70858	NYLOK #10-32 SS	3
23	H-70861	NYLOK 5/16" - 18 SS	2
24	H-71010	FW #10 ID X 11/16 OD SS	2
25	H-71015	FW 5/16 ID X 3/4 OD SS	2
26	H-71065	LW 5/16" SS	4
27	H-72490	PPH #4-40 X 3/4" S/S	4
28	H-72517	PPH #10-32 X 5/8" SS	2
29	H-72681	FHP #10-32 X 3/8" SS	2
30	H-73754	BHSCS 1/4 - 20 X 3/4" SS	6
31	H-73780	BHSCS 5/16-18 X 1	6



RED FRONT APRON
 USE PART # 370-1180
 GRANITE FRONT APRON
 USE PART # 370-1181

FOR 34-C USE PART # H-034C
 FOR 40-C USE PART # H-040C
 FOR 34-D USE PART # H-034D
 FOR 40-D USE PART # H-040D

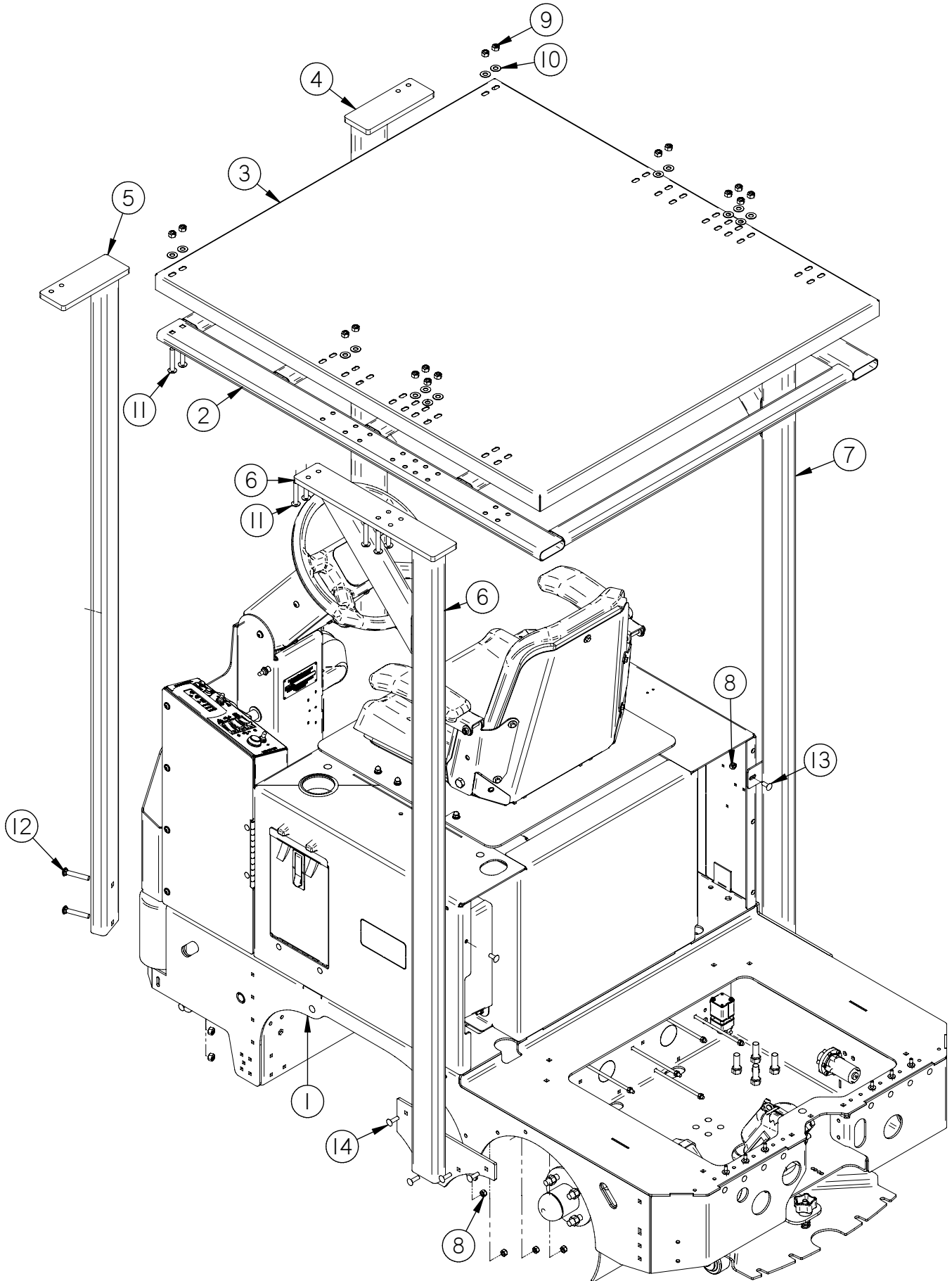
OPTIONAL RAISED FLOOR
 TAKES THE PLACE OF
 PART # 370-1610
 PART # 250-1173

Item	Part No.	Part Description	Qty.
1	250-1173	DRIVE COVER	1
2	290-7090	STEERING SHAFT, UPPER	1
3	290-7110	U-JOINT	1
4	290-7111	1/4-28 ZERK FITTING	1
5	370-1100	MAIN FRAME	1
6	370-1610	NON SKID FLOOR PLATE	1
7	370-1611	RAISED FLOOR	1
8*	370-7201	FACTORY CAT STICKER	1
9*	370-7202	TOMCAT STICKER	1
10	7-125A	ROLLER	2
11	8-290	FOOT PEDAL	1
12	8-701A	STEERING COVER	1
13	8-703	STEERING WHEEL	1
14	H-01125	3/16" X 1" KEY	2
15	H-02309	HCN #10-32, LG CRIMP	14
16	H-034C	34 CYLIDRICAL STICKER	1
17	H-11380	HCS 3/4-10 X 8-1/2	2
18	H-25379	SETSCREW, KCP, 1/4"-20 X 1/4"	3
19	H-312HCN	HCN 5/16"-18	20
20	H-33376	.75 ID SHAFT COLLAR WITH SET SCREW	3
21	H-37038	JNYL 5/8"- 11	1
22	H-37039	NYLOK 3/4"- 10	2
23	H-70003	HCS 1/4"- 20 X 3/4" SS	2
24	H-70055	HCS 5/16"- 18 X 1" SS	15
25	H-71013	FNW 1/4" X 5/8" SS	2
26	H-71015	FW 5/16" X 3/4" SS	15
27	H-71063	LW 1/4" SS	2
28	H-71065	LW 5/16" SS	15
29	H-72534	PPH #10-32 X 3/4" S/S	8
30	H-73754	BHSCS 1/4 - 20 X 3/4" SS	6
31	H-76061	FW 1/4" NYLON	6

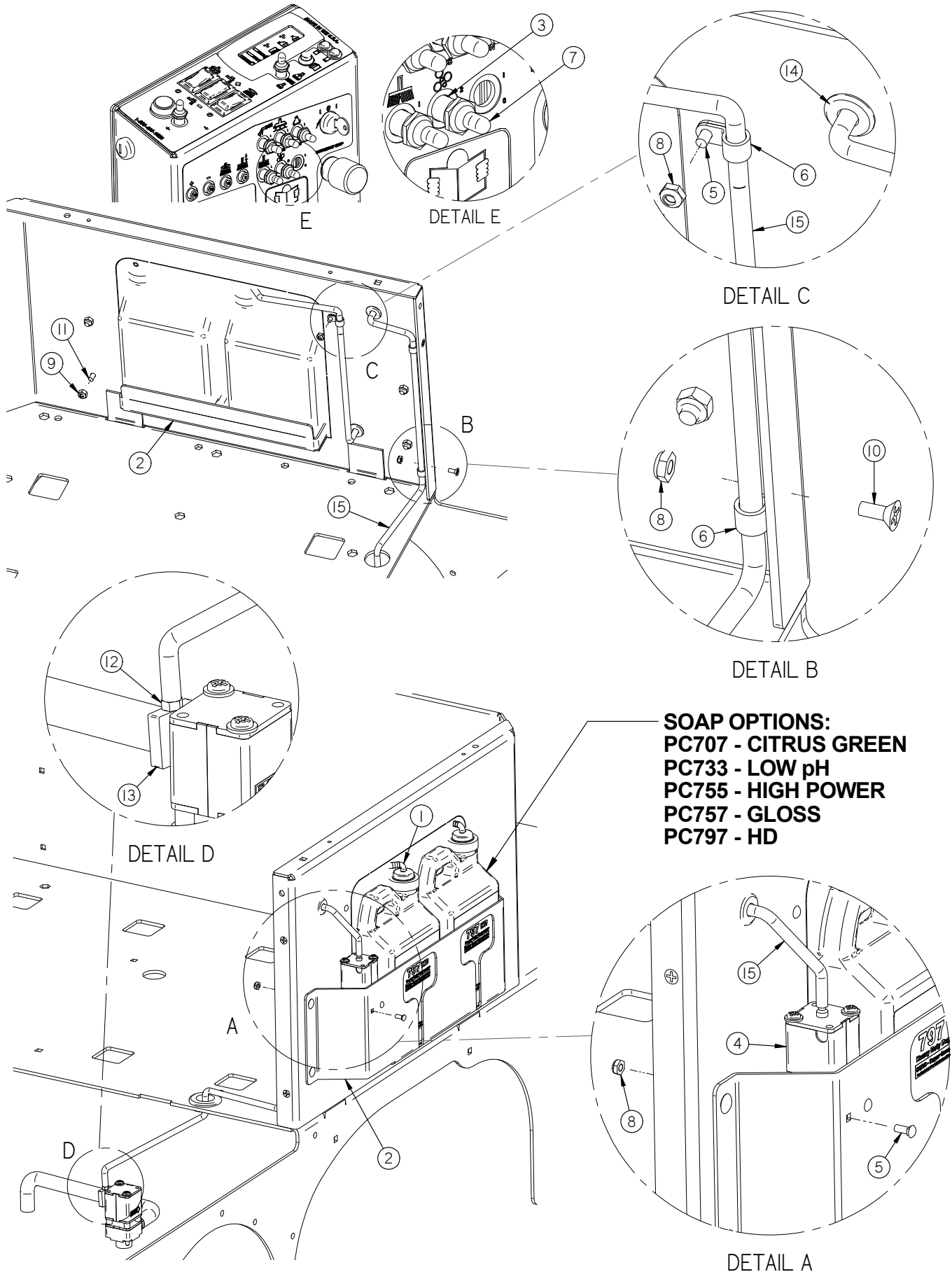
* STICKER NOT SHOWN

FOR FACTORY CAT STICKER USE PART # 370-7201

FOR TOMCAT STICKER USE PART # 370-7202

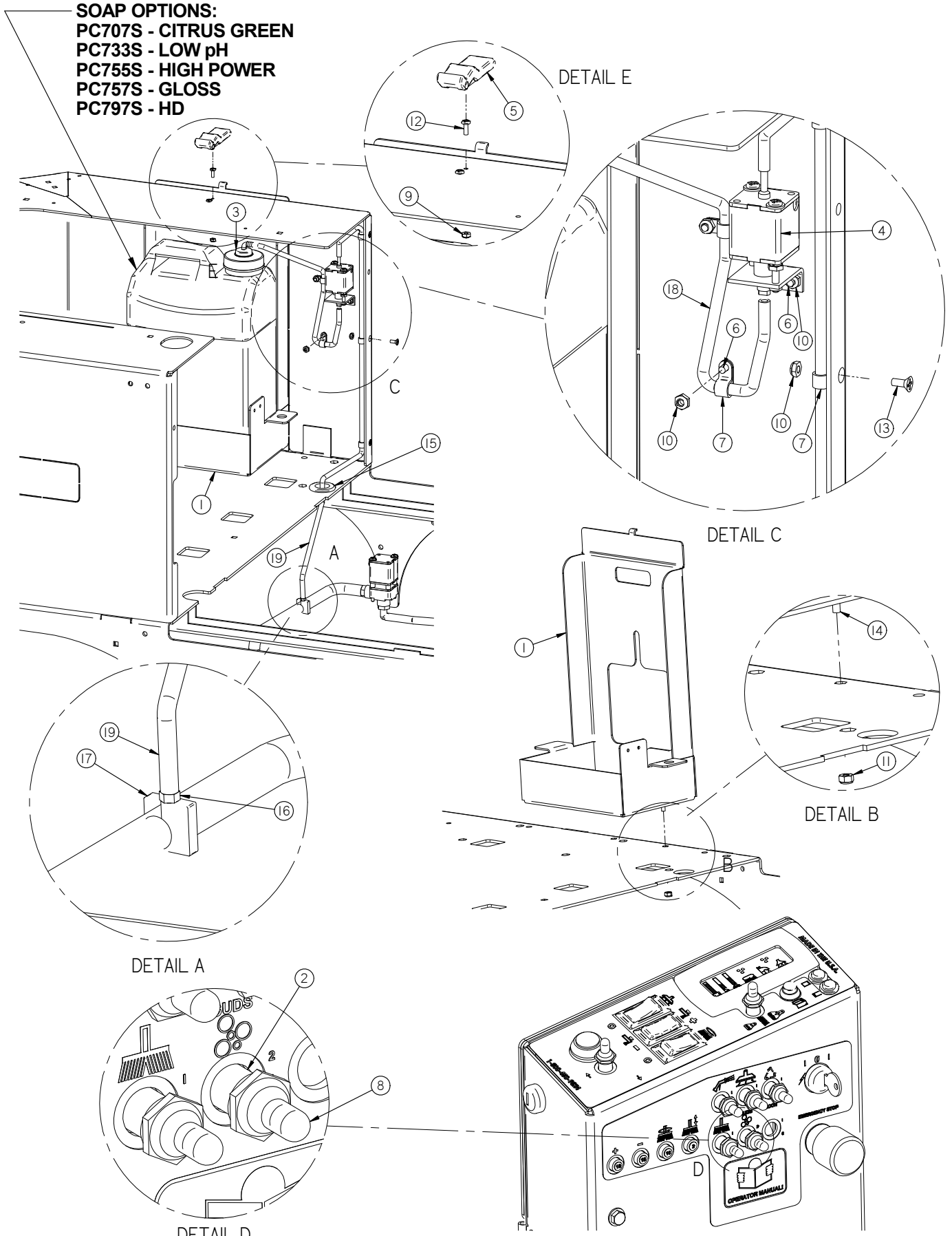


Item	Part No.	Part Description	Qty.
1	370-1100	MAIN FRAME	1
2	370-1703	ROOF SUPPORT	1
3	370-1704	OVERHEAD GUARD ROOF	1
4	370-1705	RIGHT FRONT SUPPORT	1
5	370-1706	LEFT FRONT SUPPORT	1
6	370-1711	OVERHEAD GUARD SUPPORT (LH)	1
7	370-1712	OVERHEAD GUARD SUPPORT (RH)	1
8	H-70861	NYLOK 5/16" - 18 SS	10
9	H-70862	NYLOK 3/8"-16 SS	20
10	H-71017	FW 3/8 ID X 7/8 OD SS	16
11	H-73819	BHSCS 3/8"- 16 X 2-1/4" S/S	16
12	H-74416	CB 3/8"- 16 X 2-1/4" SS	4
13	H-74429	CB 5/16"- 18 X 3/4" SS	2
14	H-74430	CB 5/16"- 18 X 1" SS	8



Item	Part Number	Part Description	Qty
1	253-0115	1/2 GALLON SOAP JUG CAP	2
2	370-1121	INDUSTRIAL SOAP TRAY	1
3	370-2831	SWITCH, TOGGLE, ON/OFF/ON (DPDT)	1
4	395-8500	SOAP PUMP, 36V	1
5	H-0172518	CB #10-32 X 1/2" SS	3
6	H-02239	3/8" NYLON LOOP CLAMP	3
7	H-11198	PROTECTIVE BOOT, TOGGLE SWITCH, (GREEN)	1
8	H-70858	NYLOK #10-32 SS	5
9	H-70860	NYLOK 1/4"- 20 SS	4
10	H-72682	FHP #10-32 X 1/2" SS	2
11	H-74418	CB 1/4"- 20 X 5/8" S/S	4
12	M-2974K369	NYLON BARBED TUBE FITTING, 3/16 ID X 1/16" NPT	1
13	M-5116K46	1/2" X 1/2" BARB	1
14	M-9307K23	GROMMET, RUBBER 3/8 ID X 7/8 OD X 1/8 TH.	2
15	T-018CR3200	3/16" ID X 32" LG. C.R. TUBE	2

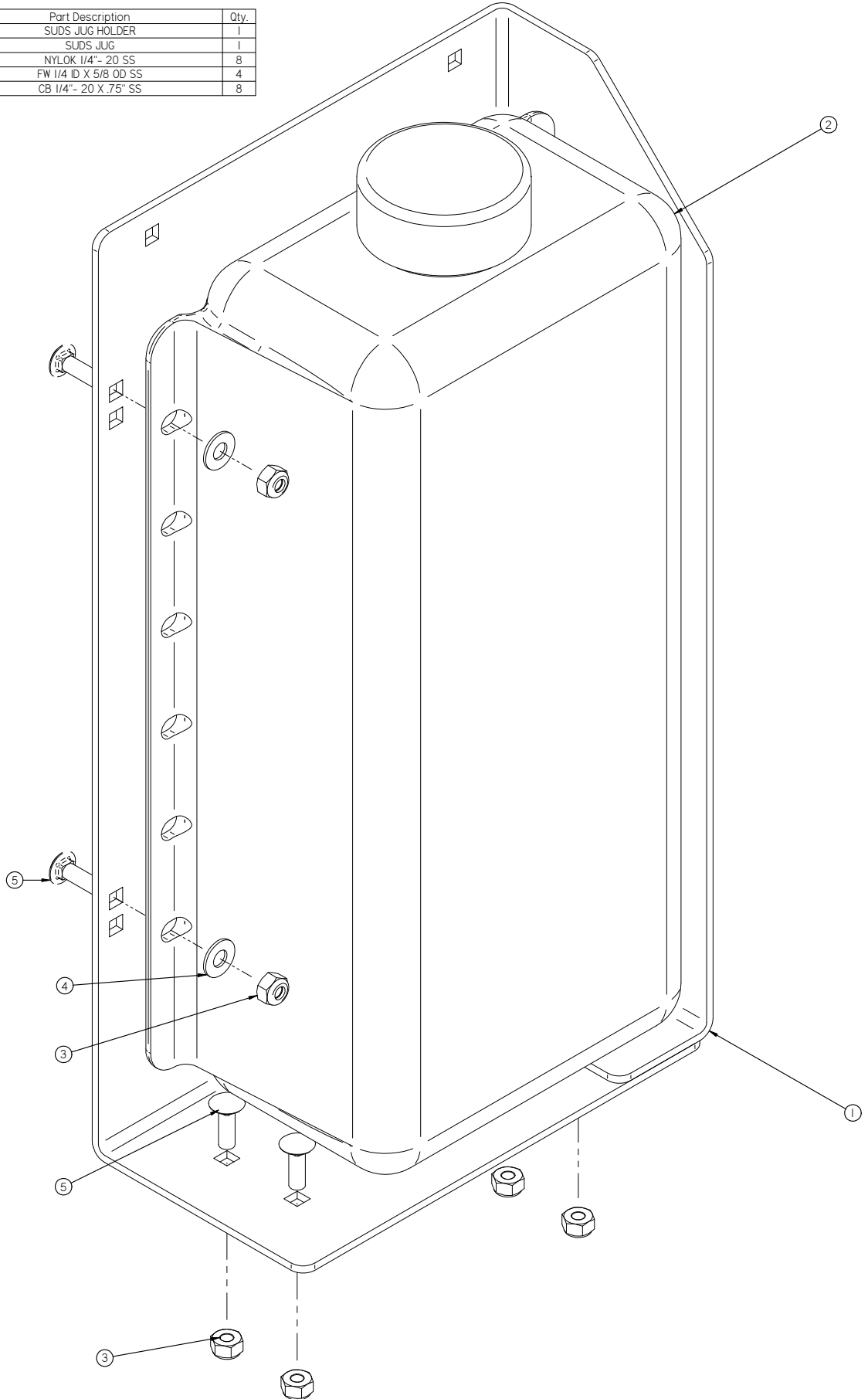
SOAP OPTIONS:
PC707S - CITRUS GREEN
PC733S - LOW pH
PC755S - HIGH POWER
PC757S - GLOSS
PC797S - HD

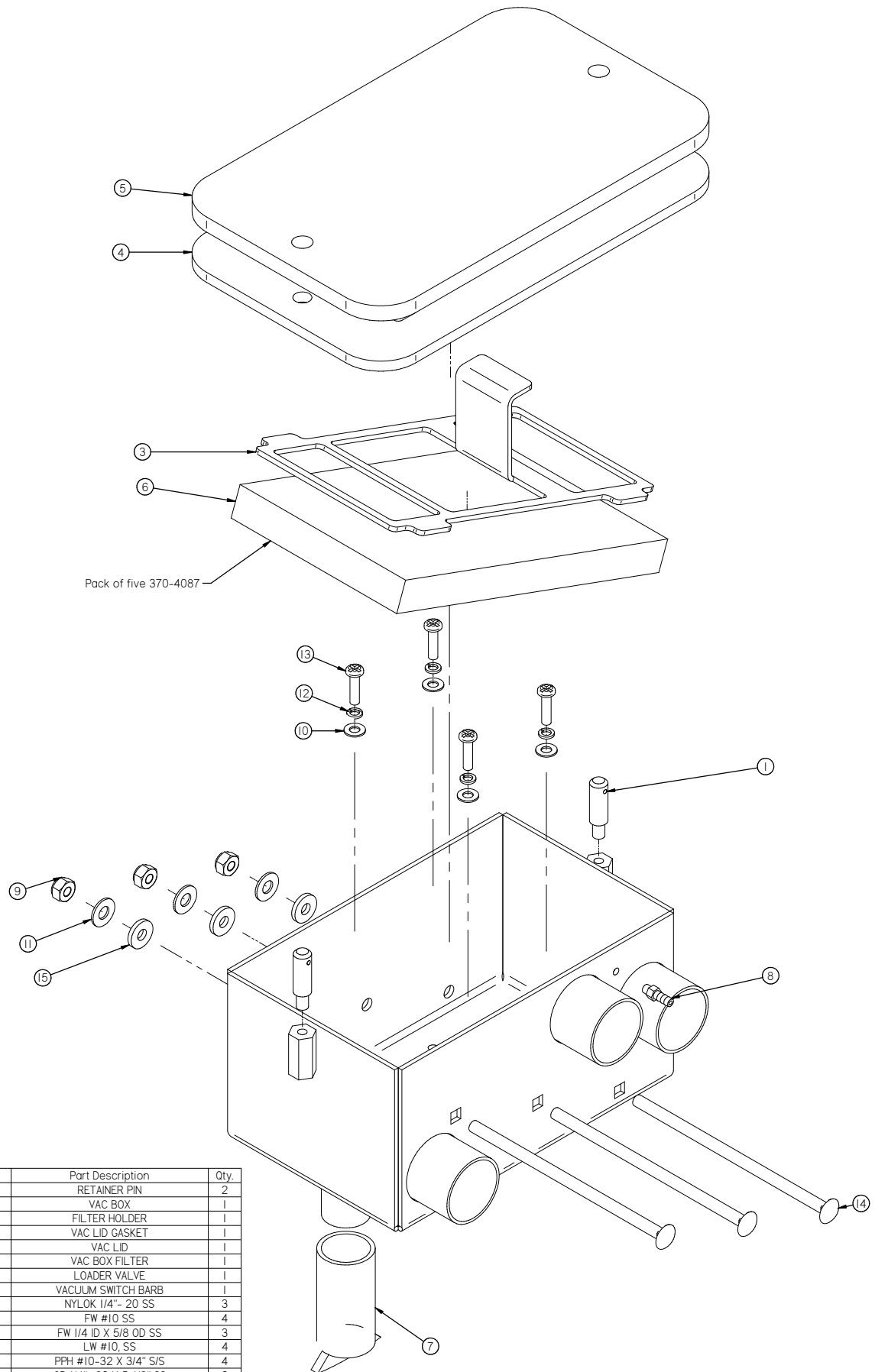


Item	Part Number	Part Description	Qty
1	370-1111	ON-BOARD SOAP TRAY	1
2	370-2831	SWITCH, TOGGLE, ON/OFF/ON (DPDT)	1
3	395-0211	2-1/2 GALLON SOAP JUG CAP	1
4	395-8500	SOAP PUMP, 36V	1
5	4-124	LATCH	1
6	H-0172518	CB #10-32 X 1/2" SS	4
7	H-02239	3/8" NYLON LOOP CLAMP	5
8	H-11198	PROTECTIVE BOOT, TOGGLE SWITCH, (GREEN)	1
9	H-70856	NYLOK #8-32 SS	2
10	H-70858	NYLOK #10-32 SS	7
11	H-70860	NYLOK 1/4"- 20 SS	2
12	H-72398	PPH #8-32 X 1/2" S/S	2
13	H-72682	FHP #10-32 X 1/2" SS	3
14	H-74418	CB 1/4"- 20 X 5/8" S/S	2
15	H-9307K74	GROMMET, 1" ID X 1-3/4" OD BUNA-N	1
16	M-2974K369	NYLON BARBED TUBE FITTING, 3/16 ID X 1/16" NPT	1
17	M-5116K46	1/2" X 1/2" BARB	1
18	T-018CR2200	3/16" ID X 22" LG. C.R. TUBE	1
19	T-018CR3200	3/16" ID X 32" LG. C.R. TUBE	1

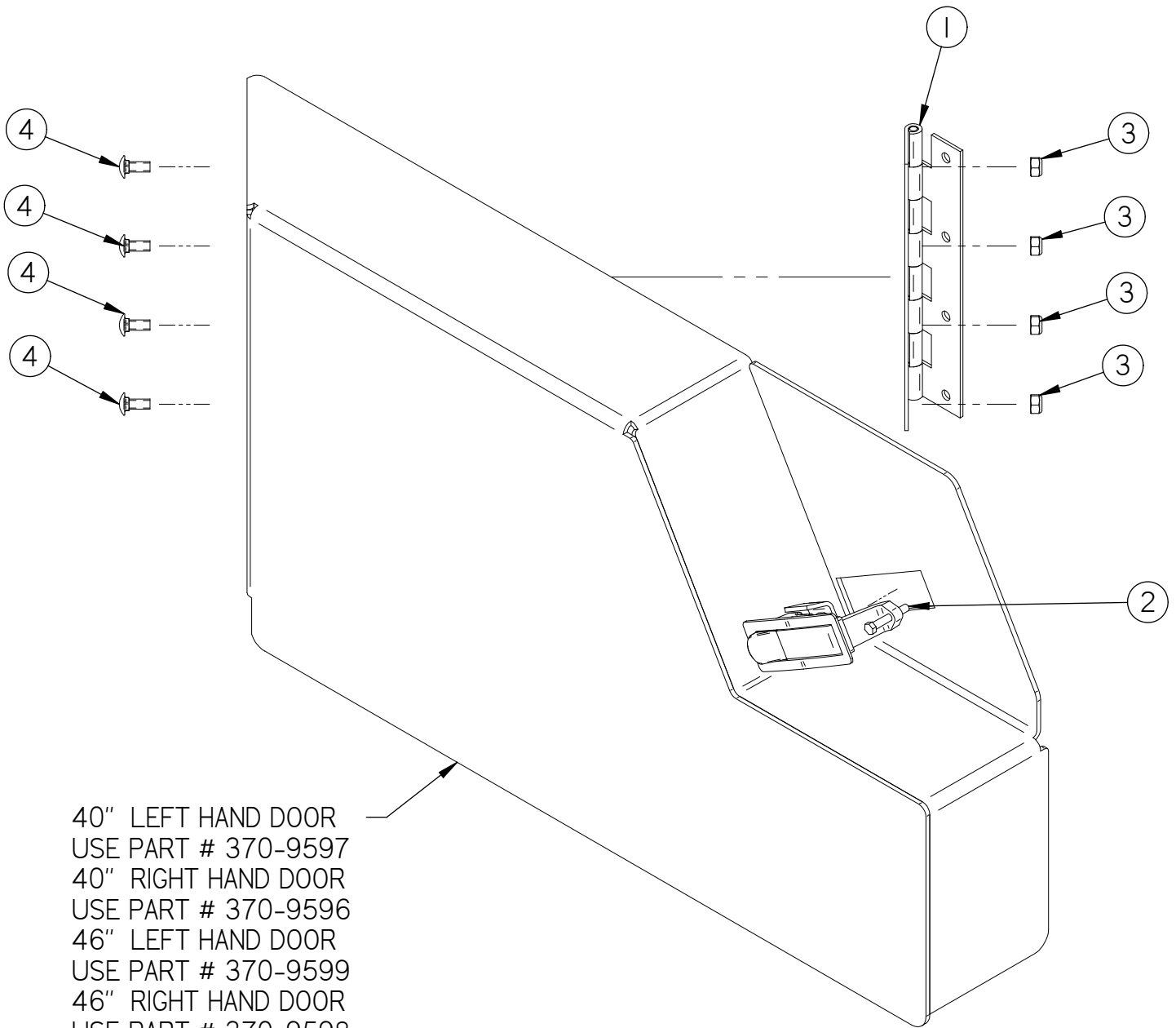
Suds System (Optional) - Serial Number #77710 and Higher

Item	Part No.	Part Description	Qty.
1	700-2450	SUDS JUG HOLDER	1
2	700-2460	SUDS JUG	1
3	H-70860	NYLOK 1/4" - 20 SS	8
4	H-71013	FW 1/4 ID X 5/8 OD SS	4
5	H-74419	CB 1/4" - 20 X .75" SS	8

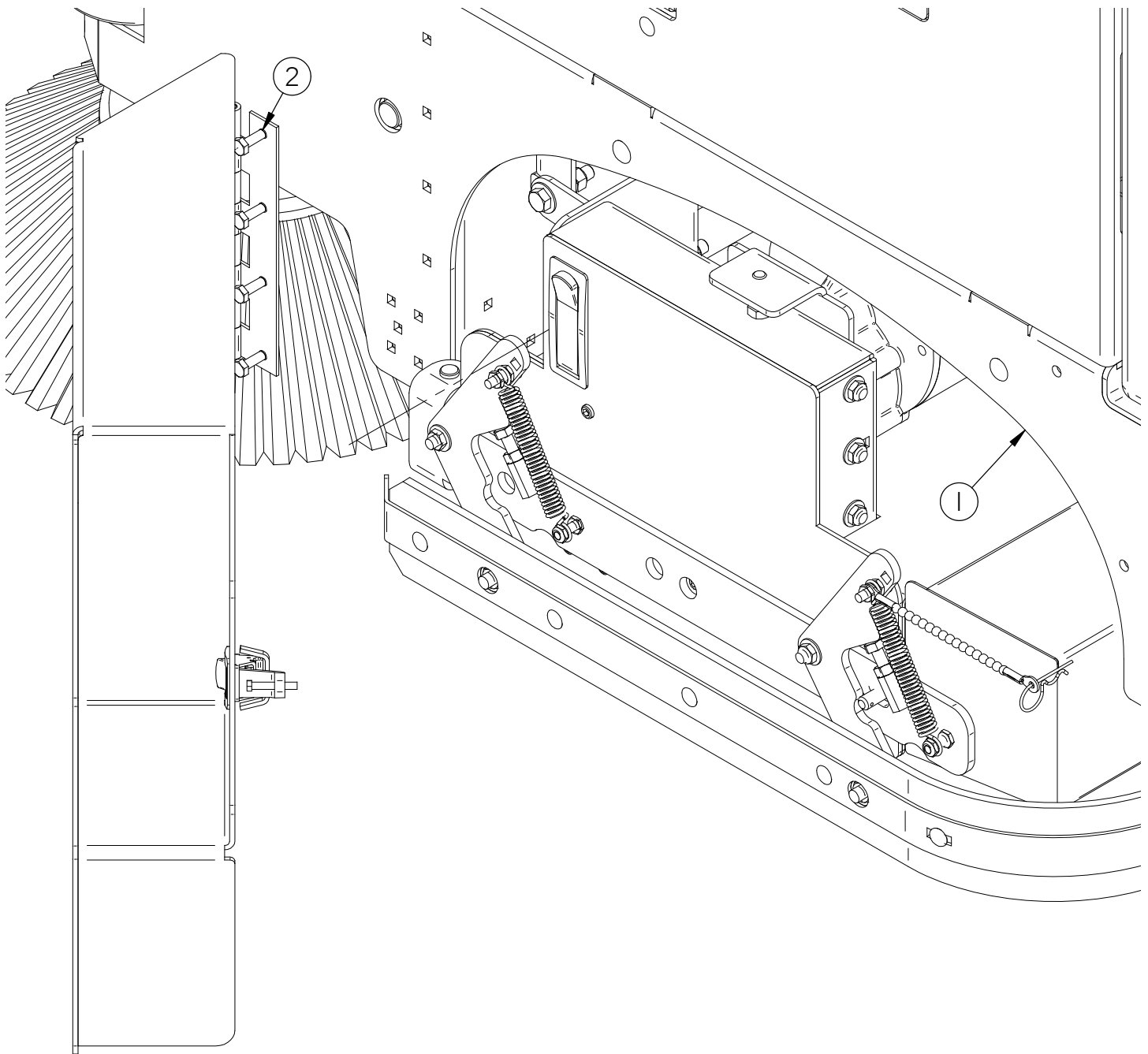




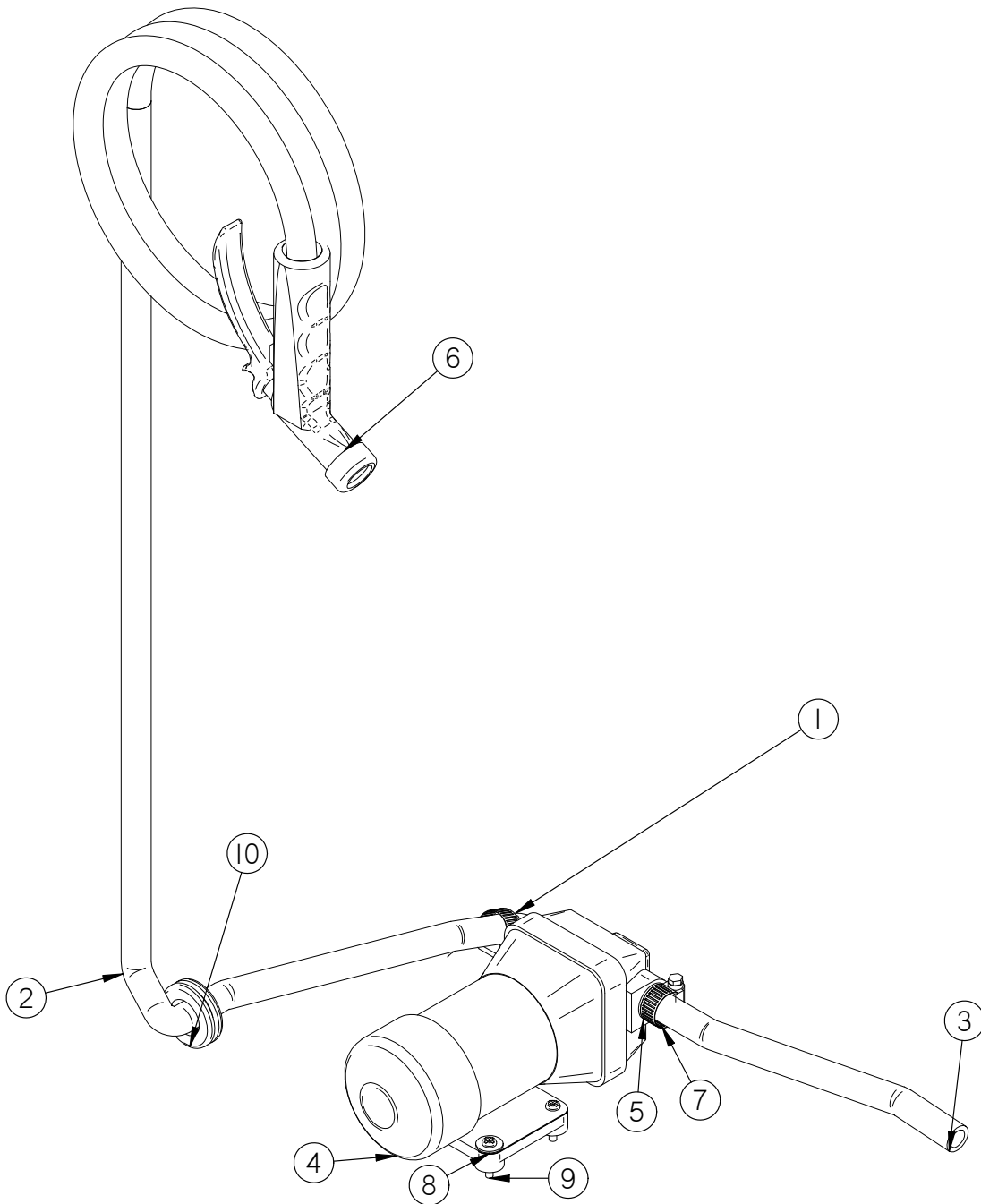
Item	Part No.	Part Description	Qty.
1	250-0001	RETAINER PIN	2
2	370-1450	VAC BOX	1
3	370-1452	FILTER HOLDER	1
4	370-1453	VAC LID GASKET	1
5	370-1454	VAC LID	1
6	370-4086	VAC BOX FILTER	1
7	390-1505	LOADER VALVE	1
8	390-2328A	VACUUM SWITCH BARB	1
9	H-70860	NYLOK 1/4"- 20 SS	3
10	H-71009	FW #10 SS	4
11	H-71013	FW 1/4 ID X 5/8 OD SS	3
12	H-71059	LW #10, SS	4
13	H-72534	PPH #10-32 X 3/4" S/S	4
14	H-74399	CB 1/4"- 20 X 5-1/2" SS	3
15	M-90130A029	.25" NEOPRENE WASHER	3



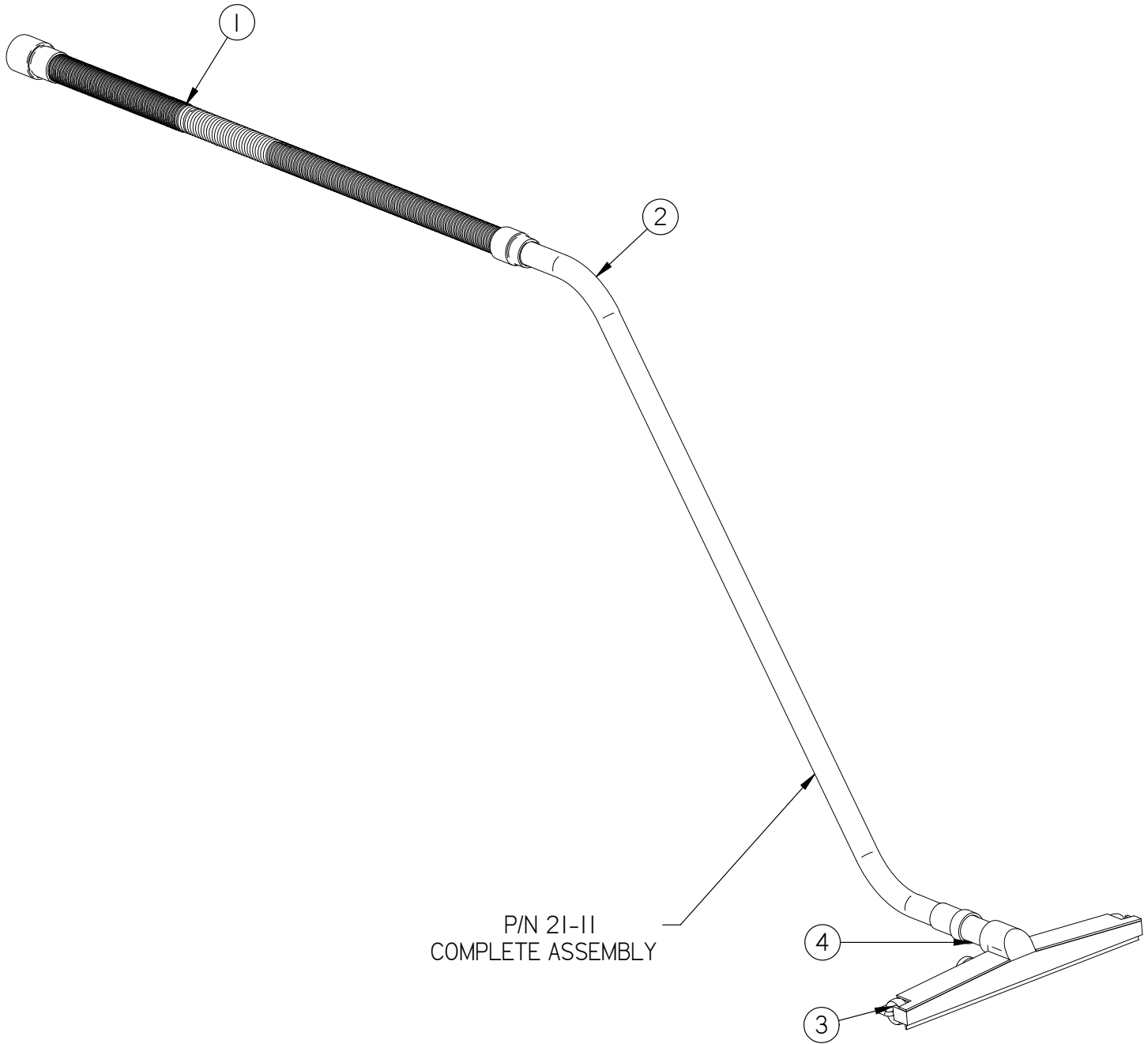
Item	Part No.	Part Description	Qty.
1	5-122	8" SS HINGE	1
2	5-130	DOOR LATCH	1
3	H-70860	NYLOK 1/4"- 20 SS	4
4	H-74418	CB 1/4"- 20 X 5/8" S/S	4



Item	Part No.	Part Description	Qty.
1	370-1100	MAIN FRAME	1
2	H-70003	HCS 1/4"- 20 X 3/4" SS	4
3	H-70860	NYLOK 1/4"- 20 SS	4



Item	Part No.	Part Description	Qty.
1	21-1601	1/2" BARBED ELBOW (PLASTIC)	1
2	290-8960	SPRAY JET HOSE	1
3	370-0003	1/2" X 10" CLEAR HOSE	1
4	430-8910	PUMP, WATER JET, 36V	1
5	5-891B	1/2" SPRAY JET BARB	1
6	5-895	SPRAY NOZZLE	1
7	H-081	CLAMP 7/16"- 25/32" SS	2
8	H-71010	FW #10 .218 x .687 S/S	1
9	H-72536	PPH #10-32 X 1" S/S	2
10	H-9307K74	GROMMET, 1" ID X 1-3/4" OD BUNA-N	1



Item	Part No.	Part Description	Qty.
1	5-883	SQUEEGEE HOSE	1
2	5-887	VAC WAND	1
3	5-889	VACUUM NOZZLE	1
4	7-884	COUPLER, S/S	1

NEW ROUND DISK BRUSHES (GREEN BLOCK):

For Machine Serial #89940 & Greater

BRUSHES	34" DISK	40" DISK	46" DISK
Super Grit	17-382SS	20-382SS	23-382SS
Tough Grit	17-382S	20-382S	23-382S
Midi Grit	17-382C	20-382C	23-382C
Light Grit	17-382PS	20-382PS	23-382PS
Poly (.028)	17-382P	20-382P	23-382P
Nylon (.016)	17-382N	20-382N	23-382N
Tampico	17-382T	20-382T	23-382T
Pad Driver	17-382D	20-382D	23-382D
Diamond Driver	17-382DD	20-382DD	23-382DD

OLD ROUND DISK BRUSHES (TAN BLOCK):

For Machine Serial #89939 & Less

BRUSHES	34" DISK	40" DISK	46" DISK
Super Grit	17-421SS	20-421SS	23-421SS
Tough Grit	17-421S	20-421S	23-421S
Midi Grit	17-421C	20-421C	23-421C
Light Grit	17-421PS	20-421PS	23-421PS
Poly (.028)	17-421P	20-421P	23-421P
Nylon (.016)	17-421N	20-421N	23-421N
Tampico	17-421T	20-421T	23-421T
Pad Driver	17-421D	20-421D	23-421D
Diamond Driver	17-421DD	20-421DD	23-421DD
Pad Driver Pad Retainer #40-433			
Pad Driver Spring Clip #40-423			

ROUND DISK PADS:

NOTICE

The ## in Disk Column Denotes Desk Pad Size: 17", 20" or 23"

DISK PADS	DISK	LEVEL	COLOR
Super Black	##-422BB	Very High	Black
Black	##-422B	High	Black
Brown	##-422BR	High	Brown
Green	##-422G	Medium	Green
Blue	##-422BL	Moderate	Blue
Red	##-422R	Moderate	Red
White	##-422W	Light	White

NEW STYLE CYLINDRICAL BRUSHES (GREEN):

For Machine Serial #90210 & Greater

BRUSHES	34" CYLINDRICAL	40" CYLINDRICAL	46" CYLINDRICAL
Tough Grit	327-697S	387-697S	447-697S
Midi Grit	327-697C	387-697C	447-697C
Nylon (.016)	327-697N	387-697N	447-697N

OLD STYLE CYLINDRICAL BRUSHES (YELLOW):

For Machine Serial #90209 & Lower

BRUSHES	34" CYLINDRICAL	40" CYLINDRICAL	46" CYLINDRICAL
Tough Grit	327-821S	387-821S	447-821S
Midi Grit	327-821C	387-821C	447-821C
Nylon (.016)	327-821N	387-821N	447-821N

SQUEEGEE BLADE KITS & COMPLETE SQUEEGEE ASSEMBLIES:

SQUEEGEE SIZE	34" CYL 34" DISK	40" CYL 40" DISK	46" CYL 46" DISK
46" Squeegee	Standard	N / A	N / A
53" Squeegee	Optional	Standard	Optional
60" Squeegee	Optional	Optional	Standard

SQUEEGEE SIZE	GUM RUBBER BLADE KIT	LINATEX BLADE KIT	URETHANE BLADE KIT	COMPLETE SQUEEGEE ASSEMBLIES
46" Squeegee	360-770G	360-770L	360-770U	350-7180
53" Squeegee	370-770G	370-770L	370-770U	360-7180
60" Squeegee	380-770G	380-770L	380-770U	380-7180

NOTICE

Squeegee blade kits include (1) Rear Blade, (1) Front Blade, and (2) Backup Wheels with hardware.

NOTICE

Squeegee Assemblies (complete) listed above all come with Linatex blades.

NOTICE

Size is stamped into the top of the painted steel squeegee body on all squeegee's.

NOTICE

The 46" squeegee is designed for narrow aisles and may not have the same water control around tight turns as the large squeegees.

BLANK

THIS PAGE WAS INTENTIONALLY LEFT BLANK

BLANK

THIS PAGE WAS INTENTIONALLY LEFT BLANK



1711 South Street
Racine, WI 53404
www.rpscorporation.com
Tel. US: 800-634-4060
Tel. Int: (+001) 262-681-3583