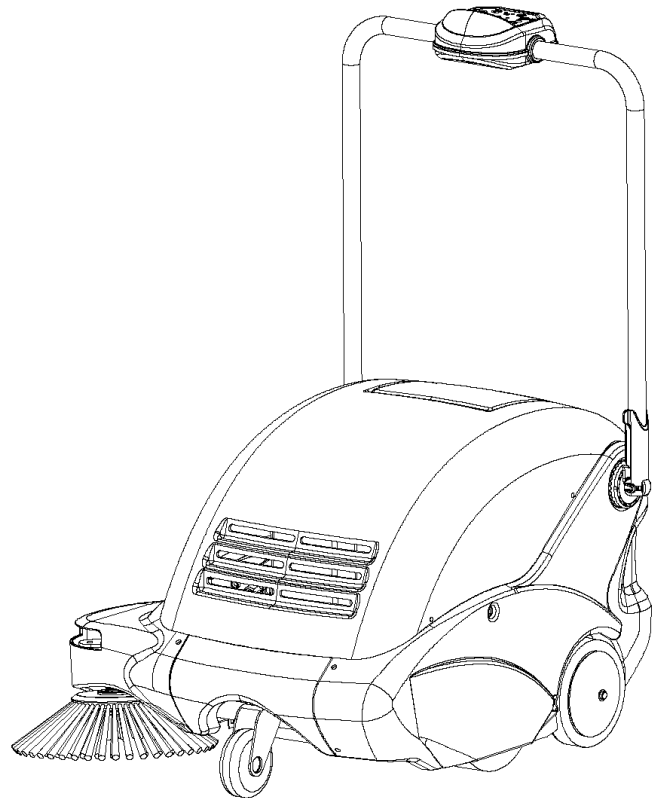


Battery Sweeper Balayeuse à batterie Barredora de batería 电池式扫地机

Model No:
Modèle N°:
Modelo N°:
型号:

614214-Tennant 3610
614213-Nobles Scout 24
9005899-Tennant 3610 (China)

Operator and Parts Manual
Manuel utilisateur et pièces détachées
Manual del operador y despiece
操作与零件手册



614201
Rev. 03 (01-12)

PO Box 1452

Minneapolis, MN 55440 USA

Phone: (800) 553-8033 or (763) 513-2850

www.tennantco.com

坦能清洁系统设备 (上海) 有限公司

中国上海青浦漕盈路 3777 号 1 幢 201712

电话 : 86 21 6922 53333

传真 : 86 21 69225151

www.tennantco.com.cn

Copyright ©2008-2012 TENNANT Company. All rights reserved.

TABLE OF CONTENTS:

SAFETY PRECAUTIONS:	2
TECHNICAL CHARACTERISTICS:	3
UNPACKING:	3
MACHINE PREPARATION:	3
MACHINE AND CONTROL PANEL COMPONENTS:	4
USE OF THE ON-BOARD BATTERY CHARGER:	5
STARTING OF THE MACHINE:	5
OPERATIONS TO MAKE FOR CORRECT USE:	5
WASTE HOPPER EMPTYING AND CLEANING:	6
SIDE BRUSH REPLACEMENT:	6
MAIN BRUSH REPLACEMENT:	7
CLEANING AND SERVICING THE FILTER:	7
ACTUATOR FUNCTION:	7
ADJUSTING THE SIDE BRUSH:	7
CONTROL PANEL DISPLAY CODES:	8
PROGRAMMING:	8
ELECTRICAL SCHEMATIC:	33
PART LIST:	34

SAFETY PRECAUTIONS:

This machine is intended for commercial use only. It is designed to pick up dirt, dry debris and dust from dry hard floor or carpeted surfaces in an indoor environment. It is not constructed for any other use. The pick up of any type of liquid substance or dangerous/ toxic materials is prohibited.

All operators must read, understand and practice the following safety precautions.

The following warning alert symbol and the "FOR SAFETY" heading are used throughout this manual as indicated in their description:



WARNING: To warn of hazards or unsafe practices which could result in severe personal injury or death.

FOR SAFETY: To identify actions which must be followed for safe operation of equipment.

Failure to follow these warnings may result in: personal injury, electrocution, electric shock, fire or explosion:



WARNING: Do Not Operate Machine In Or Near Flammable Liquids, Vapors Or Combustible Dusts.

This machine is not equipped with explosion proof motors. The electric motors will spark upon start up and during operation which could cause a flash fire or explosion if machine is used in an area where flammable vapors/liquids or combustible dusts are present.



WARNING: Do Not Pick Up Flammable Or Toxic Material, Burning Or Smoking Debris.



WARNING: Do Not Charge Batteries With Damaged Power Cord. Do Not Modify Plug.

If the charger supply cord is damaged or broken, it must be replaced by the manufacturer or it's service agent or a similarly qualified person in order to avoid a hazard.



WARNING: Disconnect Battery Cables and Unplug Charger Power Cord Before Servicing Machine.



WARNING: Do Not Use Outdoors Or On Wet Surfaces. Do Not Expose To Rain. Store Indoors.

The following information signals potentially dangerous conditions to the operator or equipment:

FOR SAFETY:

1. **Do not operate machine:**
 - In flammable or explosive areas.
 - Unless trained and authorized.
 - Unless operation manual is read and understood.
 - If not in proper operating condition.
 - Without hopper and/or filters in place.
2. **Before starting machine:**
 - Make sure all safety devices are in place and operate properly.
3. **When using machine:**
 - Do not pick up burning or smoking debris, such as cigarettes, matches or hot ashes.
 - Do not operate in standing water.
 - Report machine damage or faulty operation immediately.
 - Go slow on inclines and slippery surfaces.
 - Do not leave unattended or on an unlevel surface.
 - Do not pick up cables, strings, wires or other similar material.
 - Make sure area is illuminated.
 - Never allow children to play on or around.
 - Do not transport riders or objects.
 - Wear a dust mask, protective glasses and gloves in dusty environments.
4. **Before leaving or servicing machine:**
 - Stop on level surface.
 - Turn off machine.
5. **When servicing machine:**
 - Avoid moving parts. Do not wear loose jackets, shirts, or sleeves.
 - Disconnect battery connection and charger plug before working on machine.

- Use manufacturer supplied or approved replacement parts.
- All repairs must be performed by a qualified service person.
- Do not modify the machine from its original design.

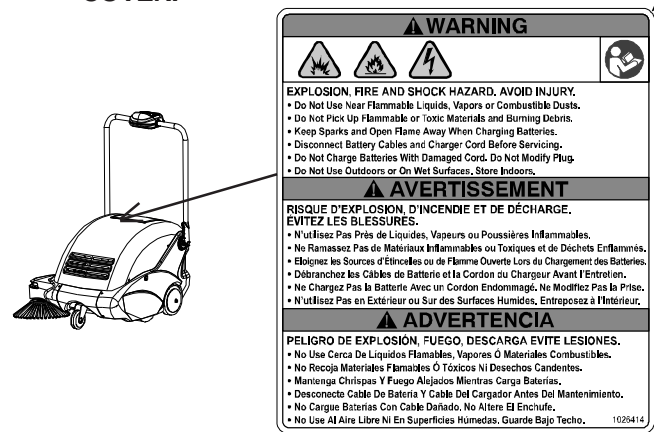
6. When transporting machine:

- Turn machine off.
- Get assistance when lifting machine.
- Use a recommended ramp when loading/unloading into/off truck or trailer.
- Use tie-down straps to secure machine to truck or trailer.

SAFETY LABEL:

The safety label appears on the machine in the location indicated. Replace label if it is missing or if it becomes damaged or illegible.

SAFETY LABEL - Located on MACHINE COVER.



TECHNICAL CHARACTERISTICS:

Description		
Width-including side brush	600mm	23,75"
Length-including side brush	730mm	28,75"
Height-including handle	950mm	37,5"
Machine height W/Handle folded	559mm	22"
Maximum sweeping width	650mm	25"
Weight	53Kg	115lbs
Hopper capacity (real)	9,3 Lt	1,25 Cu.ft
Run time	2h	
Filtering surface	0,95mq	10 sq.ft
Productivity Rate-Theoretical	1800mq/h	18000 sq.ft
Productivity Rate-Estimat\Actual	900 mq/h	9000 sq.ft
Total power consumption	360W/18A	360W/18A
Type of battery	Sealed maintenance free 42A/5h	
Noise level	61dba	

UNPACKING:

Unpack the machine carefully avoiding movements that can cause damage. Once the machine is unpacked, check the condition of its parts. In case the machine is broken in any of its parts, contact immediately our authorized dealer. For shipping and packaging purposes, some assembly is required. For correct assembling instructions, see machine preparation

Packaging contents:

- Machine
- Side brush
- Use and maintenance manual
- Maintenance free type battery
- 4mm hex wrench
- 20 amp spare fuse
- Charger cord

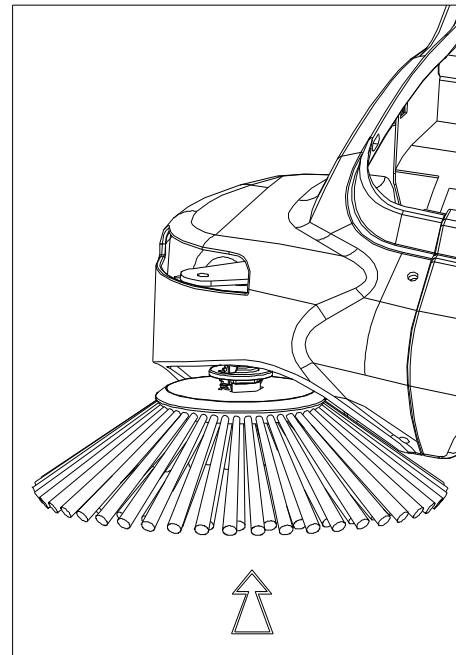
In the case anything of the above should be missing, contact immediately our authorized dealer.

Assure that all packaging material (plastics, carton, pallet, etc.) are collected and stored away from children.

MACHINE PREPARATION:

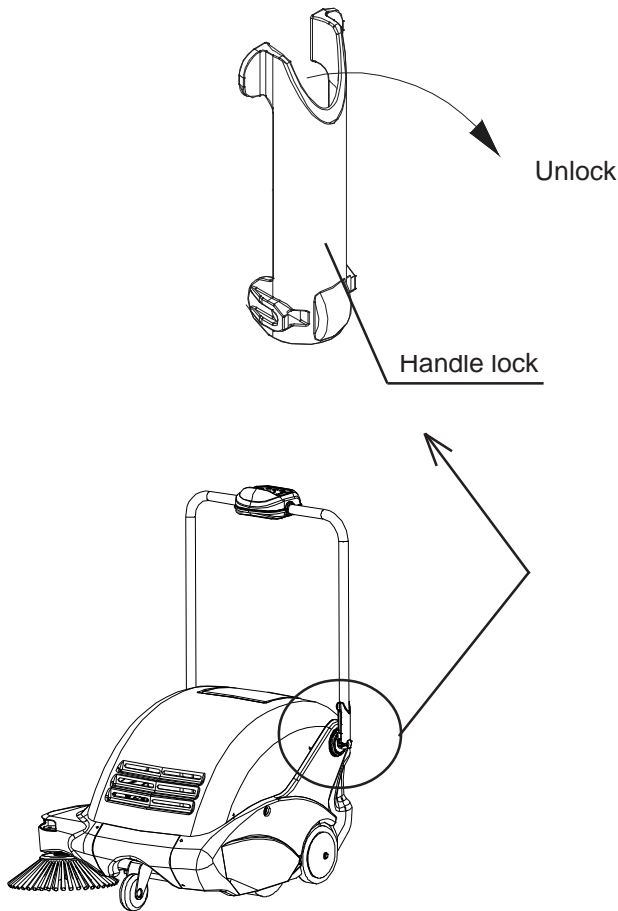
Side brush assembly:

-Raise the front part of the machine, slide the brush on to the shaft until it locks into place .



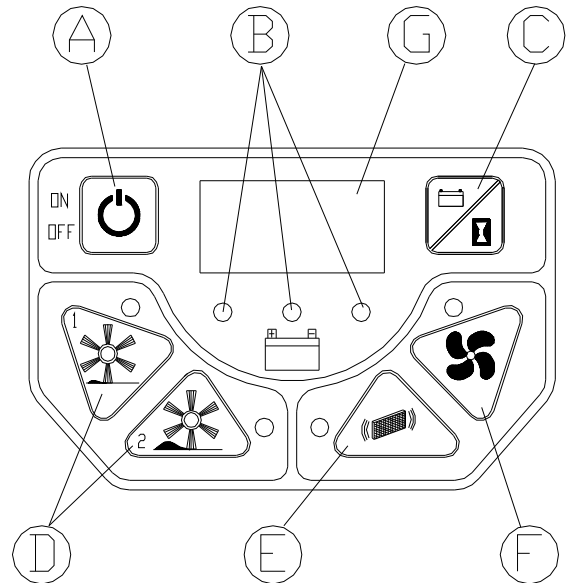
Handle assembly:

- Release the handle locks as shown
- Rotate handle into working height position
- Return handle lock to the locking position



MACHINE AND CONTROL PANEL COMPONENTS:

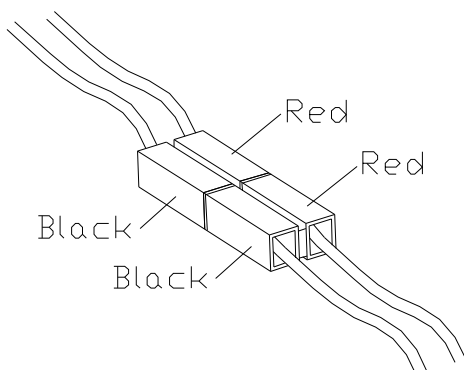
The machine is equipped with a simple panel control that controls all the operational functions of the machine.



- A) On-Off main switch of the machine
- B) Led indicator for battery charge
- C) Display switch
- D) On-Off sweeping mode switches 1 and 2
- E) Manual operating switch of the filter shaker
- F) Vacuum fan switch
- G) Numeric display

Connecting the Battery:

Remove the top cover to gain access to the battery using the 4 mm hex wrench provided.



- Locate the two Red/Black connectors.
- Align the colors of the connectors.
- Plug the two connector together.

The functions located on the control panel can be explained as follows:

- A) Main switch to turn on and off the machine.
- B) Led indicator for battery charge. Green for when the machine is charged, red for when the machine is discharged and yellow for when the machine charge is in reserve or when the machine is being charged.
- C) Numeric display switch: pressing this switch, a part from seeing the machine voltage, the display indicates the working hours of the machine (pressing the switch once) and minutes (pressing the switch twice).
- D) On-Off sweeping mode switches 1 and 2: these two switches allow the machine to work with two separate sweeping mode: mode 1 for light debris collection and mode 2 for heavy debris collection.
- E) Manual operating switch of the filter shaker gives the possibility in shaking the filter at any time during work. This is to be intended as an addition to the automatic filter shaking that cycles every 3 minutes.
- F) Vacuum fan: the vacuum fan automatically activates when sweeping mode is on. Therefore the switch is used when the requirements are to switch off the vacuum fan during sweeping mode.
- G) Numeric display

USE OF THE ON-BOARD BATTERY CHARGER:

When the battery on the machine is discharged, the red led on the control panel illuminates and all functions of the machine will automatically stop: the operator must then turn off the machine and start the charging procedure by connecting the machine battery charger plug into an AC electrical outlet. (during charging the yellow led on the display will be lit): when the machine is fully charged the green led will be lit, the battery charger plug can be disconnected and the machine is ready for operation. **IMPORTANT NOTE: USING THE MACHINE BEFORE THE BATTERY HAS FULLY CHARGED AND A GREEN LIGHT DISPLAYED WILL REDUCE THE LIFE AND RUN TIME OF YOUR BATTERY AND VOID THE WARRANTY.** The on-board charger is specifically designed for Sealed batteries.

NOTE: If during working mode the machine battery charger plug is connected, the machine will automatically stop all its functions. Such operation is forbidden.

STARTING OF THE MACHINE:

ATTENTION: the machine must be used only by authorized personal, DO NOT ABANDON the machine when switched on, do not use the machine for collecting liquid, turn the machine OFF before leaving the machine.

FOR SAFETY: DO NOT OPERATE MACHINE UNLESS OPERATION MANUAL IS READ AND UNDERSTOOD

To start the machine use the following procedures:

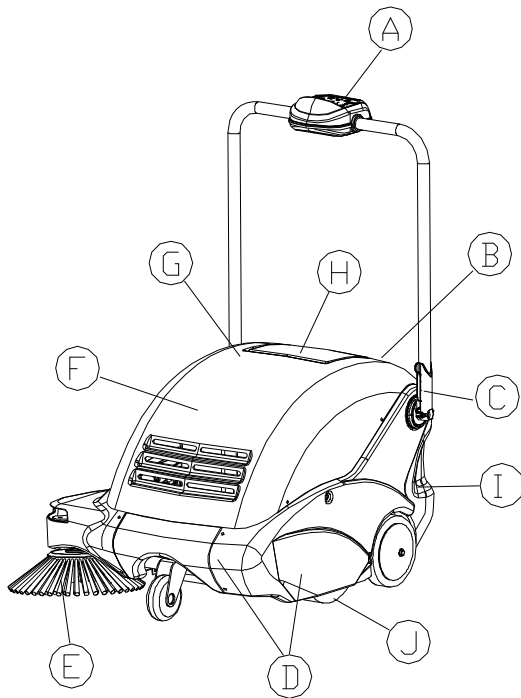
- Press the main ON/OFF button
- Check the that the green led is lit indicating a proper battery charge level
- Select the appropriate sweeping mode
ON/OFF sweeping mode button 1 - for light debris and smooth surfaces
ON/OFF sweeping mode button 2 - for heavy debris and concrete, asphalt and carpeted surfaces. Notes: using sweeping mode 2 will reduce the maximum machine run time.

OPERATIONS TO MAKE FOR CORRECT USE:

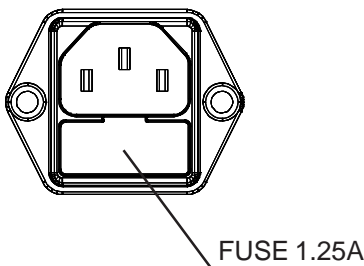
After having followed all operations for starting the machine you are now ready to work with the machine as a sweeper. To achieve the maximum performance follow the procedures in this manual to avoid the risk of damaging the machine.

It is important:

- Not to use the machine for collecting wires, ropes, strings, water or other liquids .
- In the presence of large volume debris (paper, leaves, etc.) raise the front part of the machine by pushing down the handle bar. Shake the filter at the end of the working



- A) CONTROL PANEL
- B) CHARGER FUSE (1.25A)



- C) HANDLE LOCKS
- D) BUMPER
- E) SIDE BRUSH
- F) TOP COVER
- G) WARNING LABEL
- H) CHARGER CORD COMPARTMENT
- I) HOPPER
- J) BRUSH

session.

ATTENTION: This machine is not intended for wet surface sweeping. However, if you encounter a slightly damp environment (moisture buildup on the floor), it is required that you turn the vacuum fan switch off to prevent filter damage. Machine damage due to wet debris pickup is not covered under warranty.

ATTENTION: If the sweeper is lying inactive for a period longer than one month you must disconnect the red and black battery clips. If the sweeper is lying inactive for a period longer than one week you should leave it connected to the electrical outlet.

WASTE HOPPER EMPTYING AND CLEANING:

Before proceeding in removing the hopper assure that the machine is turned off.

ATTENTION: WASTE DISPOSAL MUST BE DONE BY FOLLOWING THE LAWS IN FORCE.

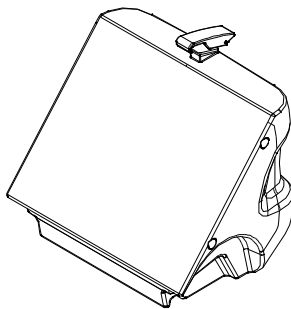
To clean the waste hopper proceed as follows:

- Release the hopper clamp by lifting and then pushing on the back of the clamp.
- Pull out the hopper by its handle
- Empty the hopper

To put back the hopper proceed as follows:

- Slide the hopper back into place
- Lower and press the hopper clamp to lock into place.

Note: It is recommended to clean the pre-filter daily. See cleaning and servicing the filter-page 7.



MACHINE MAINTENANCE:

All service performed should be completed by persons who understand the machine or an AUTHORIZED SERVICE CENTER. It is recommended that only authorized repair parts be used for service.

FOR SAFETY: When servicing the machine disconnect the battery connection and battery charger plug before working on the machine

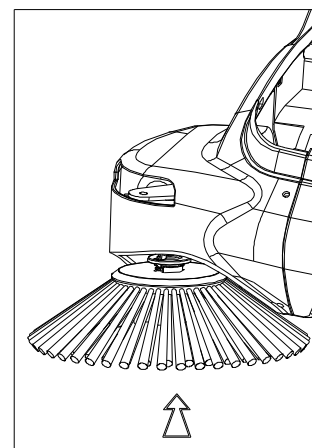
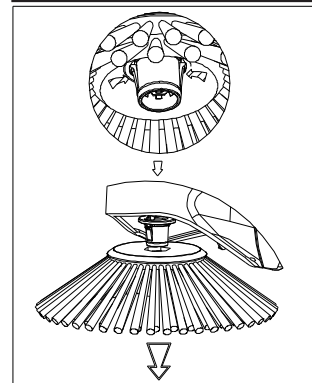
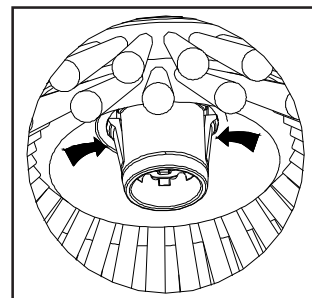
MAINTENANCE CHECK LIST	On delivery					
	Daily	Every 10 hours	Every 20 hours	Every 50 hours	Every 100 hours	
The belts for slackening						x
The tightness of nuts and screws					x	
The brushes for wear					x	
The gaskets for wear and leakages			x			
If all the functions are in working order	x	x	x	x	x	x
Empty hopper		x				
Remove and shake pre-filter		x				
Check main filter				x		

SIDE BRUSH REPLACEMENT:

Raise the front part of the machine.

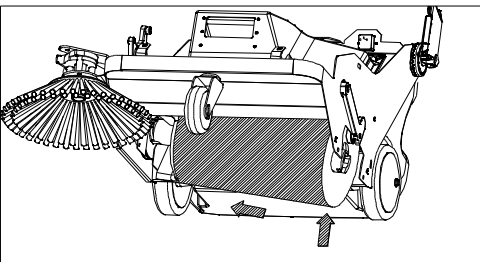
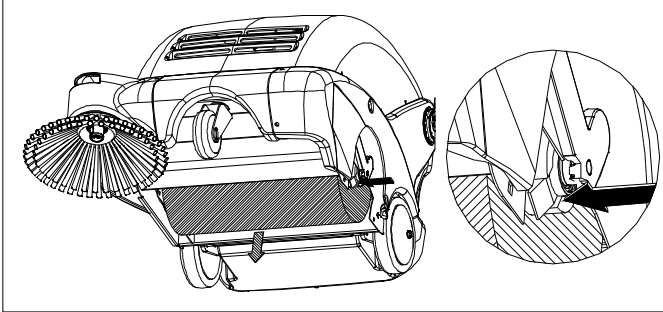
Press in the 2 tabs (indicated by the arrows) and pull off the brushes.

Slide the new brush until it locks into place.



MAIN BRUSH REPLACEMENT:

- Tilt the machine backwards until the handle is touching the ground and the main brush is easily reached.
- Manually turn the brush until a black button is seen on the right hand side of the brush core.
- Press the button and push to dis-engage the brush.
- Insert the new brush following the guide.



CLEANING AND SERVICING THE FILTERS:

The filters are very important components of the machine and essential for correct operation. Proper filter maintenance will allow you to obtain the best performance from your machine.

Pre-Filter

Clean Daily

- 1) Remove the debris hopper to access the pre-filter
- 2) Release the two metal retaining clip arms that secure the pre-filter in place. Hinge the retaining clip arms outward and remove the pre-filter.
- 3) Shake the pre-filter into a debris receptacle.
- 4) Replace the pre-filter and secure with retainer clips.

Main Filter

The Main filter can be cleaned in any of the following three ways:

- 1) by means of the automatic filter shaker:

During operation, the machine will automatically activate the filter shaker every 3 minutes.

- 2) by means of manually activating the filter shaker:

Just a simple command is needed to keep the filter in perfect working order: press the button marked 'E' and hold it down for a few seconds. Repeat this operation 4 or 5 times. Remember that the cleaner the filter, the better the results of your cleaning session. It is recommended to carry this

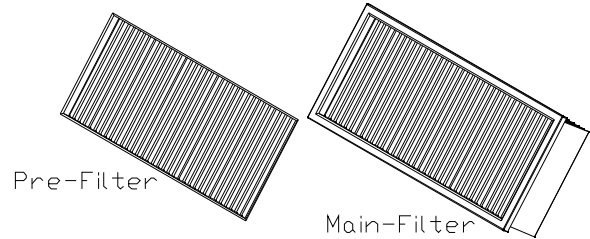
operation out at the end of each work cycle.

NOTE: dusty environments

If you are using the machine in a dusty environment it is a good idea to use the manual filter shaker more frequently.

- 3) by manually cleaning the filter:

Manually clean the filter when the filter shaker is not enough to keep the filter clean and/or every 20 hours of work. Before carrying out any kind of procedure on the machine, make sure it is turned off and that all functions are deactivated



- 1) Remove the rear hopper

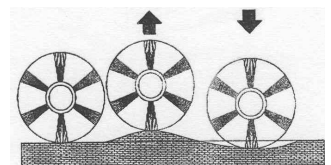
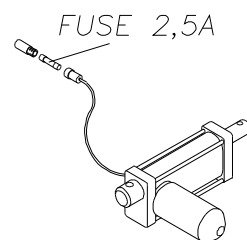
- 2) Take the filter out

- 3) Blow compressed air into the side of the filter (at a pressure of 87 psi at the most). **Safety glasses required**

- 4) Reinstall the filters and the rear hopper.

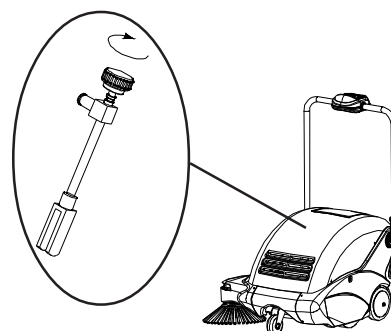
ACTUATOR FUNCTION:

The system allows the brush to immediately and constantly follow all types of surfaces, self adjust to surfaces and self adjust for main/side brush wear through out the life of the brushes



ADJUSTING THE SIDE BRUSH :

To adjust the side brush, remove the top cover, and turn adjusting handle in the direction required.



CONTROL PANEL DISPLAY CODES:

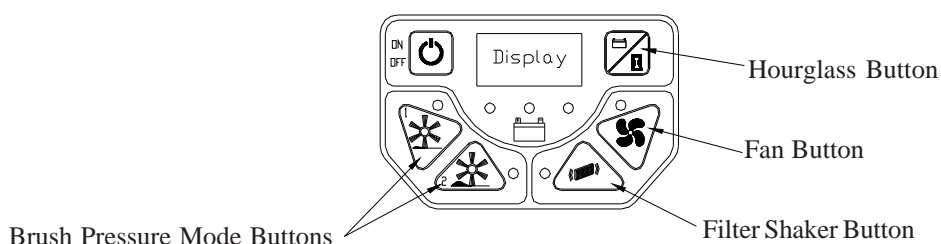
Safety code	Cause	Actions to take
C22	Short circuit brush protection: stops all functions	Reset by turning OFF the machine and starting again
C14	Dissipater at high temperature. Activates if temperature is over 194° F	The machine resets when temperature lowers under 176° F
FS0	Worn brushes	Replace brush
SP1	Brush motor restricted	Inspect brush for obstruction. Restart machine to reset
Yellow led lit	Battery in reserve	Machine continues to work. Only a warning that the battery is near discharge
Red led flashes	Battery discharged	Machine stops all functions Turn off machine and charge the battery
P1.X	Sweeping mode 1 button programming activated	See programming
P2.X	Sweeping mode 2 button programming activated	See programming
SF.X	Filter shaker program setting activated	See programming

X = A VALUE FROM “0” TO “5”

PROGRAMMING INSTRUCTIONS:

The program allows you to adjust the brush pressure and the frequency of the automatic filter shaker.

1. Turn on the machine.
2. Hold down the hourglass button located to the right of the display for about 5 seconds until a P1.X is displayed. X= 0 to 5
3. P1 is the brush pressure setting for sweeping mode 1. You can change the value of X from 0 to 5 using the fan button to increase and the filter shaker button to decrease. The higher the value the more brush pressure. Factory setting is 2.
4. Push the hourglass button once. The display will show a P2.X. This is the setting for sweeping mode 2. To change, use the same procedure used in step 3. Factory setting is 4.
5. Push the hourglass button once. The display will show a SF.X. X = the frequency in minutes the automatic filter shaker will operate. To change, use the fan button to increase and the filter shaker button to decrease. Factory setting is 3.
6. To return to operational mode, hold the hour glass button down for about 5 seconds until the battery voltage is displayed.



INDEX :


PRÉCAUTIONS DE SÉCURITÉ :	10
CARACTÉRISTIQUES TECHNIQUES :	11
DÉBALLAGE :	11
PRÉPARATION DE LA MACHINE :	11
COMPOSANTS DE LA MACHINE ET DU TABLEAU DE CONTRÔLE :	12
UTILISATION DU CHARGEUR DE BATTERIES À BORD DE LA MACHINE :	13
MISE EN MARCHÉ DE LA MACHINE :	13
POUR UNE UTILISATION CORRECTE DE LA MACHINE :	13
VIDAGE ET NETTOYAGE DU BAC À DÉCHETS :	14
REMPLACEMENT DE LA BROSSE LATÉRALE :	14
REMPLACEMENT DE LA BROSSE PRINCIPALE :	15
NETTOYAGE ET ENTRETIEN DU FILTRE :	15
FONCTIONNEMENT DE L'ACTIONNEUR :	15
RÉGLAGE DE LA BROSSE LATÉRALE :	15
CODES DE VISUALISATION DU TABLEAU DE CONTRÔLE :	16
PROGRAMMATION :	16

PRÉCAUTIONS DE SÉCURITÉ :

La machine décrite est exclusivement destinée à des usages commerciaux. Elle a été conçue pour ramasser la saleté, les déchets secs et la poussière de sols durs ou de moquettes dans des locaux. Elle n'a pas été fabriquée pour d'autres usages. Il est interdit d'utiliser la machine pour ramasser des substances liquides ou des matières dangereuses ou toxiques.

Tous les opérateurs devront lire, comprendre et mettre en pratique les précautions de sécurité suivantes.

Le symbole d'avertissement suivant et l'indication « POUR LA SÉCURITÉ » sont utilisés dans le manuel de la manière suivante :


 **ATTENTION : Signale des dangers ou des opérations dangereuses qui pourraient provoquer de graves lésions aux personnes, voire la mort.**

POUR LA SÉCURITÉ : Identifie des actions à entreprendre pour utiliser l'équipement en toute sécurité.

Le non respect de ces avertissements peut provoquer : lésions personnelles, électrocution, chocs électriques, incendies ou explosions :


 **ATTENTION : Ne pas utiliser la machine en présence ou à proximité de liquides ou de vapeurs inflammables et de poussières combustibles.**

Cette machine n'est pas dotée d'un moteur antidéflagrant. Les moteurs électriques produisent des étincelles lors de la mise en marche et du fonctionnement et peuvent provoquer des incendies ou des explosions si la machine est utilisée en présence de vapeurs/liquides inflammables ou de poussières combustibles.

 **ATTENTION : Ne pas utiliser la machine pour ramasser du matériel toxique ou inflammable, des déchets pouvant prendre feu ou émettre de la fumée.**

 **ATTENTION : Ne pas charger les batteries au moyen de câbles d'alimentation détériorés. Ne pas modifier la fiche.**

Si le câble du chargeur de batterie est endommagé ou cassé, le faire remplacer par le Producteur, un agent autorisé ou des personnes aussi qualifiées que ces derniers afin d'éviter tout danger.

 **ATTENTION : Avant d'effectuer toute opération d'entretien sur la machine, déconnecter les câbles des batteries et débrancher le câble d'alimentation de la prise.**

 **ATTENTION : Ne pas utiliser la machine à l'extérieur ou sur des surfaces mouillées. La protéger de la pluie. La stocker à l'intérieur.**

Les informations suivantes signalent à l'opérateur la présence de conditions potentiellement dangereuses:

POUR LA SÉCURITÉ :

1. Ne pas utiliser la machine :

- dans des locaux à risque d'incendie ou d'explosion ;
- sans une formation adéquate et sans autorisation ;
- sans avoir auparavant lu et compris le manuel d'utilisation ;
- en cas de conditions d'utilisation non optimales ;
- sans avoir correctement installé le bac et/ou les filtres.

2. Avant de mettre la machine en marche :

- s'assurer de la présence de tous les dispositifs et de leur fonctionnement.

3. Durant le fonctionnement :

- ne pas utiliser la machine pour ramasser des déchets en train de brûler ou d'émettre de la fumée comme les cigarettes, les allumettes ou les cendres chaudes ;
- ne pas utiliser la machine en présence d'eau stagnante ;
- signaler immédiatement tout dommage ou toute défaillance de la machine ;
- rouler lentement sur les surfaces inclinées ou glissantes ;
- ne pas laisser la machine sans surveillance ou garée sur des surfaces irrégulières ;
- ne pas utiliser la machine pour ramasser des câbles, des cordes, des fils ou du matériel similaire ;
- s'assurer que la zone de travail est éclairée de façon appropriée ;
- ne pas laisser les enfants jouer sur la machine ou près de celle-ci ;
- ne pas utiliser la machine pour transporter des personnes ou des objets ;
- porter un masque anti-poussière, des lunettes de protection et des gants dans les locaux poussiéreux.

4. Avant d'abandonner la machine et avant d'effectuer toute opération d'entretien :

- la garer sur une surface plane ;
- l'éteindre.

5. Durant l'entretien :

- éviter les parties en mouvement. Ne porter ni vestes ni chemises pendantes.

- Déconnecter la batterie et le chargeur avant de travailler sur la machine.

- Utiliser les pièces de rechange fournies ou approuvées.

- Toutes les réparations doivent être effectuées par un technicien d'entretien qualifié.

- Ne pas modifier l'assiette originale de la machine.

6. Durant le transport :

- éteindre la machine ;

- demander de l'aide pour le levage ;

- utiliser une rampe lors du chargement/déchargement de la machine sur/depus des remorques/camions ;

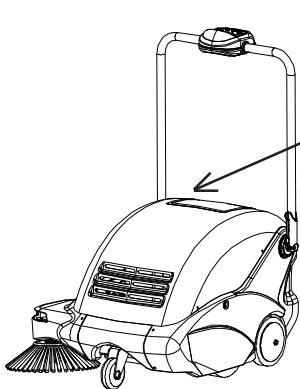
- utiliser des élingages pour fixer la machine sur le camion/remorque.

ETIQUETTE DE SECURITE

L'étiquette de sécurité est apposée sur la machine à l'endroit indiqué. Remplacer l'étiquette si elle a été perdue ou endommagée ou si elle est devenue illisible.



ETIQUETTE DE SECURITE – Placée sur le CAPOT DE LA MACHINE



CARACTÉRISTIQUES TECHNIQUES

Description		
Largeur max. d'encombrement	600mm	23,75"
Longueur max. d'encombrement	730mm	28,75"
Hauteur max. d'encombrement	950mm	37,5"
Hauteur avec manche replié	559mm	22"
Largeur de nettoyage	650mm	25"
Poids	53kg	115lbs
Capacité récipient	9,3 lt	1,25 Cu.ft
Autonomie de travail	2h	
Surface filtrante	0,95 m ²	10 sq.ft
Productivité théorique	1800 m ² /h	18000 sq.ft
Productivité réelle	900 m ² /h	9000 sq.ft
Puissance installée/absorption	360W/18A	360W/18A
Batterie	scellée 42A/5h ne requérant pas d'entretien	
Niveau de bruit	61 dba	

DÉBALLAGE :

Déballer la machine avec soin, en évitant tout mouvement pouvant l'endommager.

Au terme du déballage, contrôler l'état des composants. En cas de composants cassés, contacter immédiatement un revendeur autorisé.

Pour des raisons d'expédition et d'emballage, certains composants sont fournis démontés. Pour les instructions de montage, consulter le chapitre « Préparation de la machine ».

Contenu de l'emballage :

Machine

Brosse latérale

Manuel d'utilisation et d'entretien

Batterie sans entretien

Clé à six pans de 4 mm

Fusible de réserve de 20 Amp.

Câble du chargeur de batteries

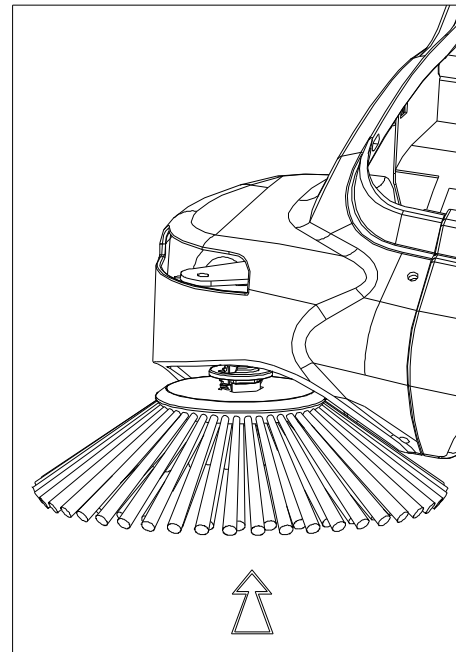
Contactez immédiatement un revendeur autorisé si l'un des composants susmentionnés devait manquer.

S'assurer que le matériel d'emballage (plastique, carton, palette, etc.) a bien été ramassé et mis hors de portée des enfants.

PRÉPARATION DE LA MACHINE :

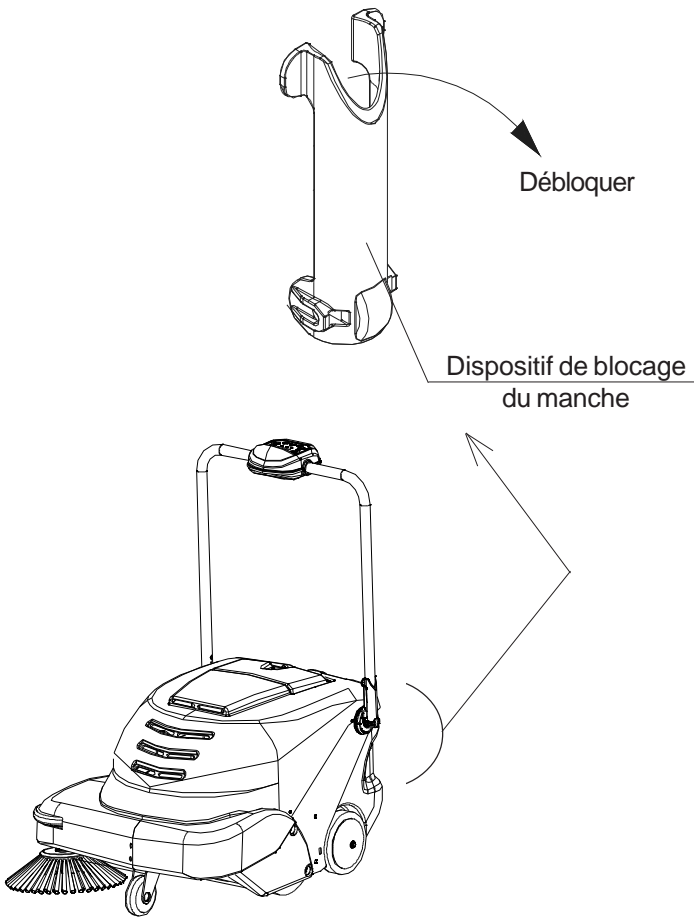
Montage de la brosse latérale :

- Soulever la partie antérieure de la machine, introduire la brosse sur l'arbre et la faire glisser jusqu'au blocage.



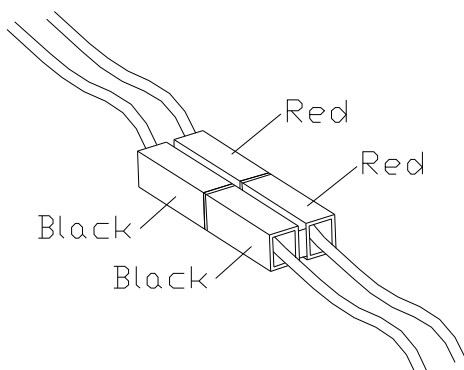
Montage du manche :

- Débloquer le dispositif de blocage du manche selon le dessin.
- Tourner le manche jusqu'à la hauteur de travail demandée.
- Amener le dispositif de blocage du manche en position de blocage.



Connexion de la batterie :

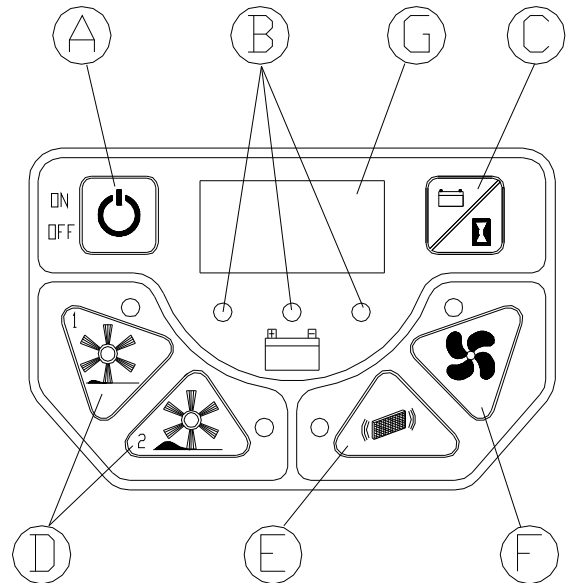
À l'aide de la clé à six pans de 4 mm fournie, enlever le capot supérieur pour accéder à la batterie.



Trouver les deux connecteurs rouge (red)/noir (black).
Aligner les connecteurs selon la couleur.
Connecter les deux connecteurs.

COMPOSANTS DE LA MACHINE ET DU TABLEAU DE CONTRÔLE :

La machine est dotée d'un tableau simple à utiliser pour le contrôle des fonctions opérationnelles de la machine.

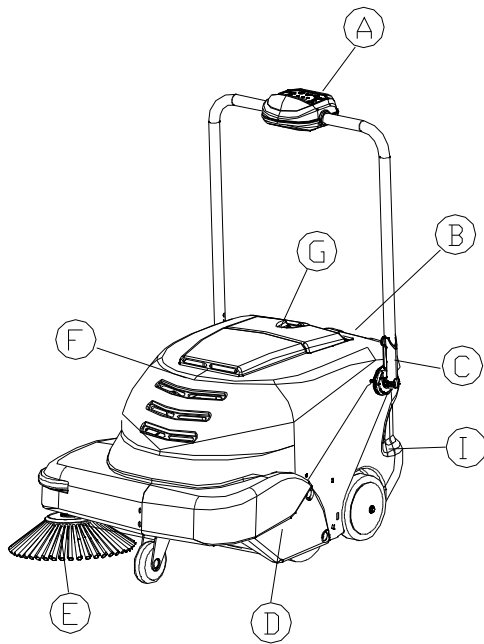


- A) Interrupteur On-Off de la machine
- B) LED de signalisation de l'état de charge de la batterie
- C) Interrupteur pour l'afficheur
- D) Interrupteurs On-Off 1 et 2 pour sélectionner la modalité de fonctionnement
- E) Interrupteur pour la mise en marche manuelle du secoueur de filtre
- F) Interrupteur pour le ventilateur d'aspiration
- G) Afficheur numérique

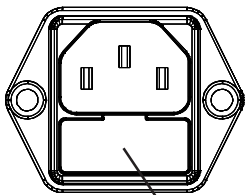
Le tableau de contrôle est dotée de/d' :

- A) Un interrupteur principal pour allumer et éteindre la machine.
- B) Une LED pour signaler l'état de charge de la batterie. La LED est verte lorsque la batterie est chargée, rouge lorsqu'elle est déchargée et jaune lorsqu'elle présente un bas niveau de charge ou qu'elle est en charge.
- C) Interrupteur de l'afficheur numérique : appuyer sur l'interrupteur pour visualiser la tension de la machine, les heures (une pression) et les minutes (deux pressions) de fonctionnement de la machine.
- D) Interrupteurs On-Off 1 et 2 pour sélectionner la modalité de fonctionnement : ces deux interrupteurs permettent de sélectionner deux modalités de fonctionnement différentes : modalité 1 pour déchets légers et modalité 2 pour déchets lourds.
- E) L'interrupteur pour l'activation en manuel du secoueur de filtre permet d'activer le secouement du filtre à tout moment. Cette fonction s'ajoute au secouement automatique qui a lieu toutes les 3 minutes.
- F) Ventilateur d'aspiration : l'activation du ventilateur d'aspiration est automatique lors du fonctionnement de la machine. L'interrupteur ne sert donc qu'à arrêter éventuellement le ventilateur lors du fonctionnement de la machine.
- G) Afficheur numérique

UTILISATION DU CHARGEUR DE BATTERIES À BORD DE LA MACHINE :



- A) TABLEAU DE CONTRÔLE
- B) FUSIBLE CHARGEUR DE BATTERIES (1.25A)



FUSIBLE 1.25A

- C) DISPOSITIFS DE BLOCAGE POUR LA POIGNÉE
- D) PARE-CHOCS
- E) BROSSE LATÉRALE
- F) COUVERCLE SUPÉRIEUR
- G) LOGEMENT DU CÂBLE DU CHARGEUR DE BATTERIES
- I) BAC

Lorsque la batterie de la machine est déchargée, la LED rouge s'allume sur le tableau de contrôle et toutes les fonctions de la machine se désactivent automatiquement : l'opérateur devra donc arrêter la machine et lancer la procédure de charge en introduisant la fiche du chargeur de batteries de la machine dans une prise électrique CA. La LED jaune s'allumera sur l'afficheur durant la charge. Au terme de la charge, la LED verte s'allumera. Il est à ce point possible de débrancher la fiche et d'utiliser la machine.

NOTE IMPORTANTE : UTILISER LA MACHINE AVANT LA FIN DE LA CHARGE ET AVANT L'ALLUMAGE DE LA LED VERTE PEUT RÉDUIRE LA DURÉE DE LA BATTERIE ET INVALIDER LA GARANTIE. Le chargeur de batteries à bord de la machine a été conçu pour des batteries scellées.

NOTE : le branchement de la fiche du chargeur de batteries lors du fonctionnement de la machine désactive automatiquement toutes les fonctions de cette dernière. Cette opération est interdite.

MISE EN MARCHÉ DE LA MACHINE :

ATTENTION : la machine ne doit être utilisée que par du personnel autorisé. NE PAS LAISSER LA MACHINE SANS SURVEILLANCE lorsqu'elle est allumée. Ne pas utiliser la machine pour aspirer des liquides. Éteindre la machine avant de la laisser sans surveillance.

POUR LA SÉCURITÉ : NE PAS UTILISER LA MACHINE SANS AVOIR TOUT D'ABORD LU ET COMPRIS LE MANUEL D'UTILISATION

Pour mettre la machine en marche :

- Appuyer sur le bouton ON/OFF
- S'assurer que la LED verte est allumée et que la batterie est donc chargée

- Sélectionner la modalité de fonctionnement appropriée
Interrupteur ON/OFF 1 pour déchets légers et surfaces lisses

Interrupteur ON/OFF 2 pour déchets lourds et ciment, surfaces lisses en asphalte ou pour moquettes. Note : l'utilisation de la modalité 2 réduira le temps de travail de la machine.

POUR UNE UTILISATION CORRECTE DE LA MACHINE :

Après avoir effectué toutes les opérations de mise en marche de la machine, il est possible d'utiliser cette dernière comme balayeuse. Pour obtenir les meilleures performances et éviter d'endommager la machine, suivre attentivement les indications fournies dans ce manuel.

Il est conseillé de/d' :

- ne pas utiliser la machine pour ramasser des câbles, des cordes, des fils, de l'eau ou d'autres liquides ;

- soulever la partie antérieure de la machine en poussant le guidon vers le bas, et ce en présence de déchets encombrants (papier, feuilles, etc.) ;
- activer le secoueur de filtre au terme de la session de travail.

ATTENTION: La machine n'a pas été fabriquée pour être utilisée sur des surfaces mouillées. Cependant, en cas d'utilisation de la machine dans des locaux modérément humides (accumulation d'humidité au sol), il est conseillé d'activer le filtre d'aspiration pour éviter toute détérioration du filtre. La détérioration de la machine provoquée par l'aspiration de déchets mouillés exclut la garantie.

ATTENTION : En cas de non-utilisation de la machine pendant plus d'un mois, déconnecter les connecteurs rouge et noir de la batterie.

En cas de non-utilisation de la machine pendant plus d'une semaine, l'isoler de tout courant électrique.

VIDAGE ET NETTOYAGE DU BAC À DÉCHETS :

Avant de retirer le bac, s'assurer que la machine est éteinte.
ATTENTION : ÉLIMINER LES DÉCHETS CONFORMÉMENT AUX LOIS EN VIGUEUR.

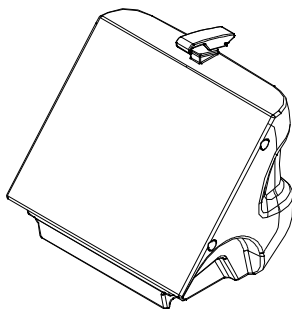
Pour nettoyer le bac, procéder de la façon suivante :

- Débloquer la bride du bac en le soulevant et en poussant sur la partie postérieure de la bride.
- Extraire le bac en tirant le manche
- Vider le bac

Remettre le bac de la façon suivante :

- Introduire le bac dans son logement
- Baisser la bride et y appuyer dessus pour fixer le bac dans la bonne position

Note : il est conseillé de nettoyer le préfiltre tous les jours. Voir « Nettoyage et entretien du filtre » page 7.



ENTRETIEN DE LA MACHINE :

Toutes les opérations d'entretien doivent être effectuées par des personnes connaissant la machine ou par un CENTRE D'ASSISTANCE AUTORISÉ. Il est conseillé de n'utiliser que des pièces de rechange autorisées.

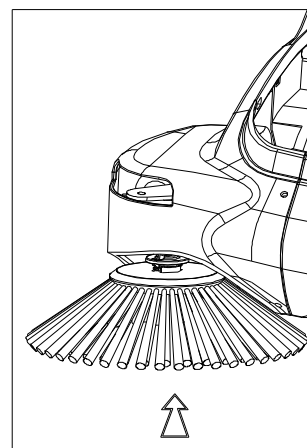
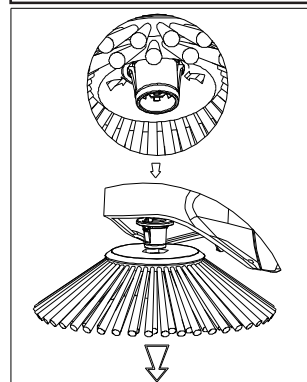
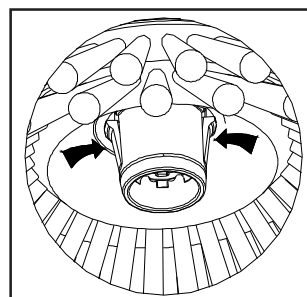
POUR LA SÉCURITÉ : Avant toute opération d'entretien sur la machine, déconnecter la batterie et le chargeur de batteries.

LISTE DE CONTRÔLE ENTRETIEN	A la livraison	Tous les jours	Toutes les 10 heures	Toutes les 20 heures	Toutes les 50 heures	Toutes les 100 heures
	Tension des bandes					
Serrage de vis/boulons					X	
Usure des brosses					X	
Usure des joints et pertes			X			
Si tous les composants fonctionnent	X	X	X	X	X	X
Vider le bac		X				
Enlever et secouer le préfiltre		X				
Contrôler le filtre principal				X		

REPLACEMENT DE LA BROSSE LATÉRALE :

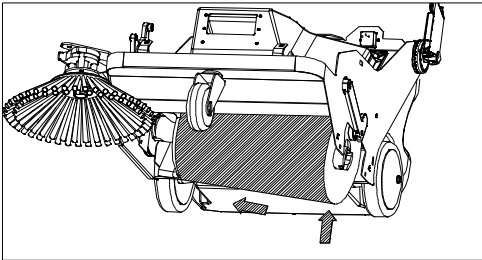
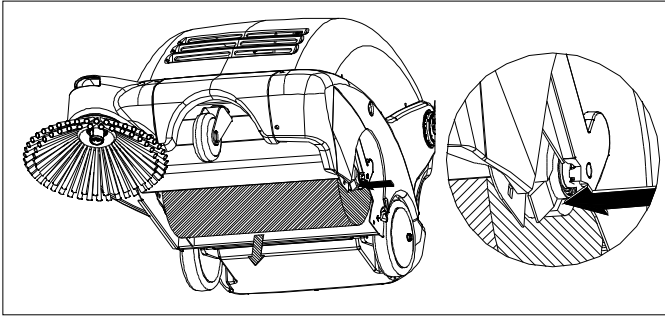
Soulever la partie antérieure de la machine. Appuyer sur les deux languettes (marquées des flèches) et extraire les brosses.

Introduire la nouvelle brosse en la faisant glisser jusqu'au blocage.



REPLACEMENT DE LA BROSSE PRINCIPALE:

- Incliner la machine vers l'arrière jusqu'à ce que la poignée touche le sol. Il est ainsi facile d'accéder à la brosse principale.
- Tourner manuellement la brosse jusqu'à l'apparition d'un bouton noir sur le côté droit de la zone centrale de la brosse.
- Appuyer sur le bouton pour débloquer la brosse.
- Introduire une nouvelle brosse en suivant le guide.



NETTOYAGE ET ENTRETIEN DES FILTRES :

Les filtres sont des composants importants de la machine et essentiels pour son bon fonctionnement. Un entretien correct des filtres permettra d'obtenir les meilleures performances de la machine.

Préfiltre (Pre-Filter)

Nettoyage quotidien

- 1) Enlever le bac à déchets pour accéder au préfiltre.
- 2) Débloquer les deux agrafes métalliques de fixation du préfiltre. Ouvrir les bras des agrafes et extraire le préfiltre.
- 3) Secouer le préfiltre dans un récipient à déchets.
- 4) Remettre le préfiltre dans son logement et le bloquer à l'aide des agrafes.

Filtre principal (Main-Filter)

Il est possible de nettoyer le filtre principal d'une des trois façons suivantes :

- 1) à l'aide du secoueur de filtre automatique :
durant le fonctionnement, le secoueur s'active automatiquement toutes les 3 minutes.

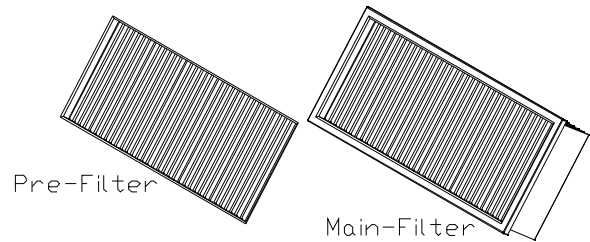
- 2) en activant le secoueur de filtre manuellement :
une simple commande suffit pour conserver le filtre dans de parfaites conditions : appuyer sur le bouton « E » pendant quelques secondes. Répéter 4 ou 5 fois.
Ne pas oublier que plus le filtre est propre, meilleures seront les performances de la machine. Il est conseillé d'effectuer cette opération au terme de chaque cycle de travail.

NOTE: locaux poussiéreux

En cas d'utilisation de la machine dans des locaux poussiéreux, il convient d'activer plus souvent le secoueur de filtre manuel.

3) nettoyage manuel du filtre :

Nettoyer manuellement le filtre lorsque l'action du secoueur de filtre ne suffit pas à le rendre propre et/ou toutes les 20 heures de fonctionnement. Avant toute intervention sur la machine, s'assurer qu'elle est bien éteinte et que toutes les fonctions sont désactivées.



- 1) Enlever le bac postérieur.

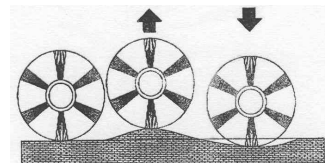
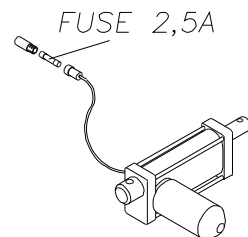
- 2) Extraire le filtre.

- 3) Souffler de l'air comprimé dans le filtre (à une pression maximale de 87 psi). **Il est recommandé de porter des lunettes de protection**

- 4) Remettre les filtres et le bac postérieur dans leur logement.

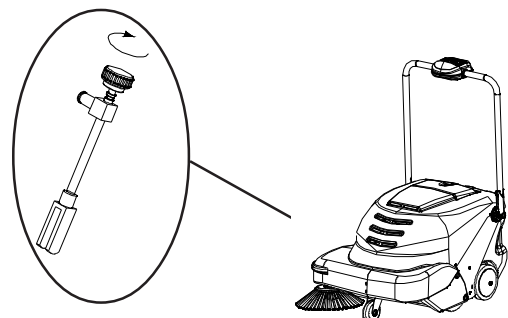
FONCTIONNEMENT DE L'ACTIONNEUR :

Le système permet à la brosse de s'adapter constamment à différents types de surfaces et de se régler automatiquement en fonction de la surface et du degré d'usure de la brosse principale/latérale pendant toute la durée de vie des brosses.



RÉGLAGE DE LA BROSSE LATÉRALE :

Pour régler la brosse latérale, enlever le couvercle supérieur et tourner la poignée de réglage dans le sens demandé.



CODES AFFICHES SUR LE PANNEAU DE CONTROLE:

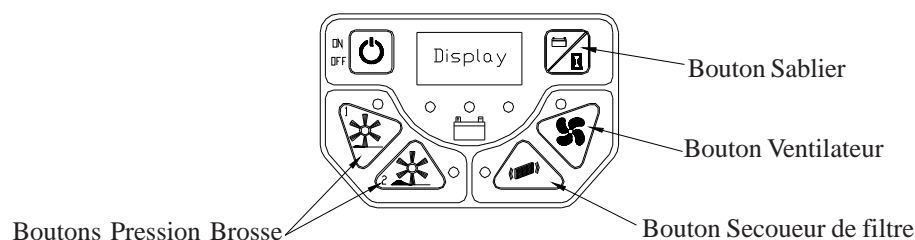
Code de sécurité	Cause	Action
C22	Court-circuit de la protection de la brosse: stoppe toutes les fonctions	Arrêter la machine puis la remettre en marche.
C14	Température élevée du dissipateur. Activé si la température est supérieure à 90°C.	La machine se remet en marche quand la température redescend au-dessous de 80°C .
FS0	Brosses usées	Remplacer les brosses
SP1	Moteur brosse bloqué	Vérifier si des débris bloquent la brosse. Remettre la machine en marche.
Led jaune éclairée	Batterie en réserve	La machine continue de fonctionner. Indique que la batterie est presque déchargée.
Led rouge clignotante	Batterie déchargée	La machine stoppe toutes les fonctions. Arrêter la machine et recharger la batterie
P1.X	Réglage Mode Balayage 1 activé	Voir réglage
P2.X	Réglage Mode Balayage 2 activé	Voir réglage
SF.X	Réglage Secoueur de filtre activé	Voir réglage

X = VALEUR DE "0" A "5"

INSTRUCTIONS POUR LE REGLAGE

Il est possible de régler la pression de la brosse et la fréquence du secouage du filtre automatique.

1. Mettre la machine en marche.
2. Maintenir enfoncé le bouton représentant un sablier, placé à la droite de l'afficheur, pendant environ 5 secondes jusqu'à ce que s'affiche P1.X. X = 0 à 5.
3. P1 est le réglage de la pression de la brosse pour le mode de balayage 1. Vous pouvez modifier la valeur de X de 0 à 5 à l'aide du bouton représentant un ventilateur pour augmenter et le bouton du secouage de filtre pour diminuer. Plus la valeur est haute plus la pression de la brosse est élevée. Le réglage d'usine est 2.
4. Presser le bouton Sablier une fois. L'afficheur visualise P2.X. C'est le réglage pour le mode de balayage 2. Pour modifier utiliser la même procédure qu'au point 3. Le réglage d'usine est 4.
5. Presser le bouton Sablier une fois. L'afficheur visualise SF.X. X = la fréquence en minutes à laquelle le secoueur de filtre automatique fonctionnera. Pour modifier utiliser le bouton Ventilateur pour augmenter et le bouton secouage pour diminuer. Le réglage d'usine est 3.
6. Revenir au mode de fonctionnement, maintenir enfoncé le bouton Sablier pendant environ 5 secondes jusqu'à ce que la tension de la batterie soit affichée.



ÍNDICE:

PRECAUCIONES DE SEGURIDAD:	18
CARACTERÍSTICAS TÉCNICAS:	19
DESEMBALAJE:	19
PREPARACIÓN DE LA MÁQUINA:	19
COMPONENTES DE LA MÁQUINA Y DEL PANEL DE CONTROL:	20
USO DEL CARGADOR DE BATERÍAS A BORDO DE LA MÁQUINA:	21
PUESTA EN MARCHA DE LA MÁQUINA:	21
PARA EL USO CORRECTO DE LA MÁQUINA:	21
VACIADO Y LIMPIEZA DEL CAJÓN DE RESIDUOS:	22
SUSTITUCIÓN DEL CEPILLO LATERAL:	22
SUSTITUCIÓN DEL CEPILLO PRINCIPAL:	23
LIMPIEZA Y MANTENIMIENTO DEL FILTRO:	23
FUNCIONAMIENTO DEL ACTUADOR:	23
REGULACIÓN DEL CEPILLO LATERAL:	23
CÓDIGOS DE VISUALIZACIÓN DEL PANEL DE CONTROL:	24
PROGRAMACIÓN:	24

PRECAUCIONES DE SEGURIDAD:

La máquina descrita está destinada exclusivamente a usos comerciales. Ha sido diseñada para recoger suciedad, residuos secos y polvo de pisos duros o moqueta en ambientes interiores. No ha sido fabricada para ningún otro uso. Está prohibido utilizarla para recoger sustancias líquidas o materiales peligrosos o tóxicos.

Los operadores deberán leer, comprender y poner en práctica las siguientes precauciones de seguridad.

El símbolo de advertencia y la frase "PARA LA SEGURIDAD" se utilizan en el manual del siguiente modo:



ADVERTENCIA: señala peligros u operaciones no seguras que podrían causar graves lesiones personales o incluso muerte.

PARA LA SEGURIDAD: identifica los pasos que se deben seguir para utilizar el equipamiento en condiciones de seguridad.

El incumplimiento de las advertencias puede causar: lesiones personales, electrocución, descargas eléctricas, incendios y explosiones:



ADVERTENCIA: no utilizar la máquina en presencia de líquidos o vapores inflamables y polvos combustibles.

Esta máquina no está dotada de motor antideflagración. Los motores eléctricos producen chispas durante el arranque y el funcionamiento, y pueden causar incendios o explosiones si la máquina se utiliza en presencia de líquidos o vapores inflamables y polvos combustibles.



ADVERTENCIA: no utilizar la máquina para recoger material tóxico o inflamable, o residuos que pueden quemarse o producir humo.



ADVERTENCIA: no cargar las baterías con cables de alimentación dañados. No modificar la clavija.

Si el cable del cargador de baterías está dañado o roto, debe ser sustituido por el fabricante, un agente autorizado o personas igualmente cualificadas, para evitar peligros.



ADVERTENCIA: antes de realizar cualquier obra de mantenimiento en la máquina hay que desconectar los cables de las baterías y quitar de la toma el cable de alimentación.



ADVERTENCIA: no utilizar la máquina en ambientes exteriores o superficies mojadas. No exponerla a la lluvia. Almacenarla en un ambiente interior.

Los siguientes puntos indican al operador condiciones potencialmente peligrosas:

PARA LA SEGURIDAD:

1. No utilizar la máquina:

- en ambientes con riesgo de incendio o explosión;
- si no se cuenta con la capacitación o la autorización necesaria;
- sin antes leer y comprender el manual de uso;
- si no está en perfectas condiciones de uso;
- sin antes instalar correctamente el cajón y/o los filtros.

2. Antes de poner en marcha la máquina:

- asegurarse de que todos los dispositivos estén presentes y funcionen correctamente.

3. Durante el funcionamiento:

- no utilizar la máquina para recoger residuos que se estén quemando o emitiendo humo, como cigarrillos, cerillas o cenizas calientes;
- no utilizar la máquina en presencia de agua estancada;
- señalar de inmediato cualquier daño o mal funcionamiento de la máquina;
- mantener baja la velocidad en superficies inclinadas o resbaladizas;
- no dejar la máquina sin vigilancia o aparcada en superficies irregulares;
- no utilizar la máquina para recoger cables, cuerdas, alambres o afines;
- asegurarse de que la zona de trabajo esté adecuadamente iluminada;
- no permitir a los niños que jueguen sobre la máquina o cerca de ella;
- no utilizar la máquina para transportar personas u objetos;
- utilizar máscara antipolvo, gafas de protección y guantes si el ambiente es polvoriento.

4. Antes de dejar la máquina y antes de realizar obras de mantenimiento:

- aparcarla en una superficie plana;
- apagarla.

5. Para el mantenimiento:

- evitar las partes móviles. No utilizar ropa muy suelta.
- Desconectar la batería y el cargador antes de trabajar en la máquina.

- Utilizar repuestos suministrados o aprobados por el fabricante.
- Las reparaciones deben ser efectuadas por un técnico de mantenimiento cualificado.
- No modificar la disposición original de la máquina.

6. Para el transporte:

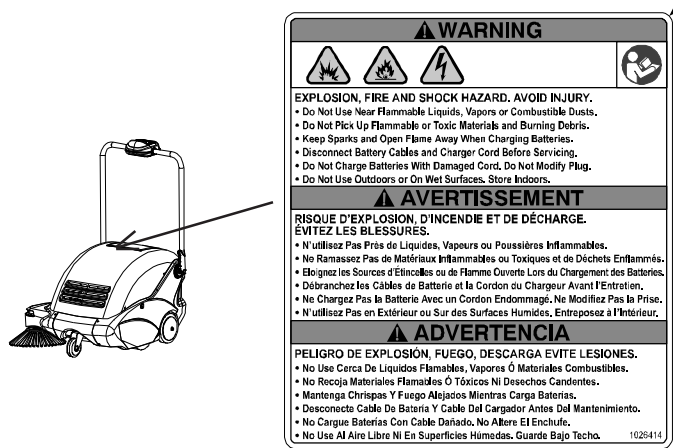
- apagar la máquina;
- pedir ayuda para levantarla;
- utilizar una rampa para cargar y descargar la máquina en remolques o camiones;
- utilizar eslingas para fijar la máquina en el remolque o en el camión.

ETIQUETA DE ADVERTENCIA

La etiqueta de seguridad está colocada en la máquina en la posición indicada.

Sustituirla si se ha perdido, dañado o vuelto ilegible.

ETIQUETA DE SEGURIDAD SOBRE LA CUBIERTA DE LA MÁQUINA.



CARACTERÍSTICAS TÉCNICAS:

Descripción		
Anchura máxima	600mm	23,75"
Longitud máxima	730mm	28,75"
Altura máxima	950mm	37,5"
Alt.máquina con mango recogido	559mm	22"
Anchura de limpieza	650mm	25"
Peso	53 kg	115 libras
Capacidad del recipiente	9,3 litros	1,25 pies3
Autonomía de funcionamiento	2h	
Superficie de filtración	0,95 m2	10 pies2
Productividad teórica	1800 m2	18000 pies2
Productividad real	900 m2	9000 pies2
Potencia nominal /consumo	360W/18A	360W/18A
Batería	sellada, no requiere mantenimiento 42A/5h	
Ruido	61dba	

DESEMBALAJE:

Desembalar la máquina con cuidado evitando movimientos que puedan causar daños.

Controlar el estado de los componentes. Si se verifican roturas hay que llamar de inmediato a un revendedor autorizado.

Para facilitar el embalaje y el envío, algunos componentes se suministran desmontados. Consultar las instrucciones de montaje en el capítulo "Preparación de la máquina".

Contenido del embalaje:

- Máquina
- Cepillo lateral
- Manual de uso y mantenimiento
- Batería sin mantenimiento
- Llave hexagonal de 4 mm
- Fusible de repuesto de 20 Amp.
- Cable del cargador de baterías

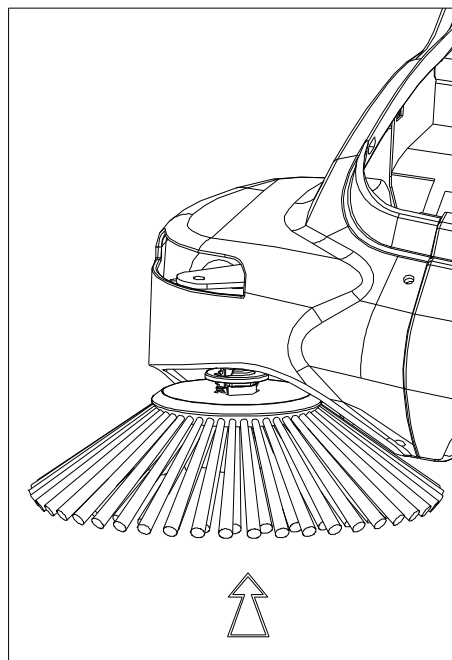
Si falta alguno de los componentes listados es preciso llamar de inmediato a un revendedor autorizado.

Asegurarse de que el material de embalaje (plástico, cartón, palet, etc.) sea recogido y guardado fuera del alcance de los niños.

PREPARACIÓN DE LA MÁQUINA:

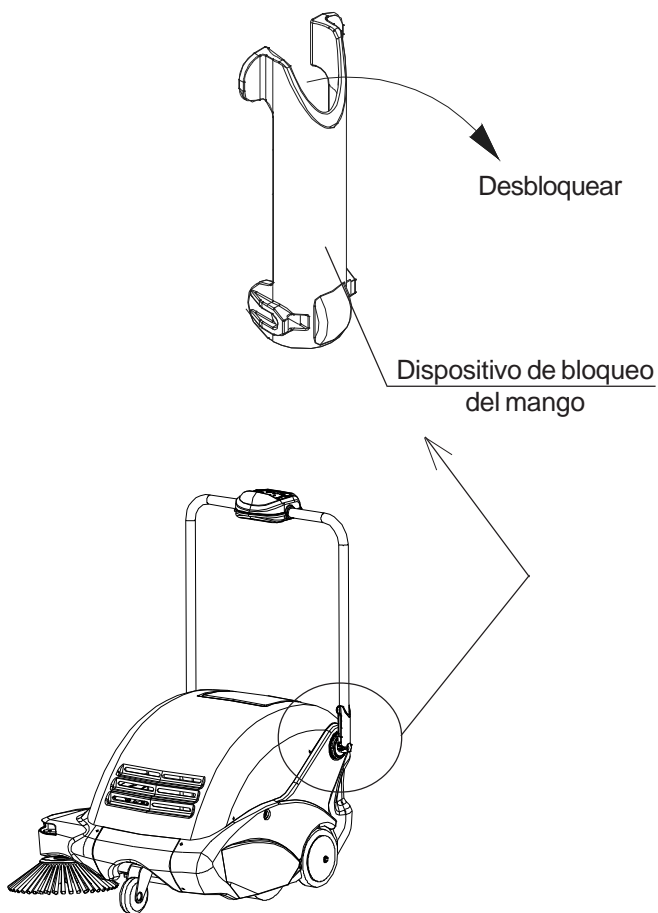
Montaje del cepillo lateral:

- Levantar la parte delantera de la máquina. Colocar el cepillo en el eje y hacerlo desplazarse hasta que quede bloqueado.



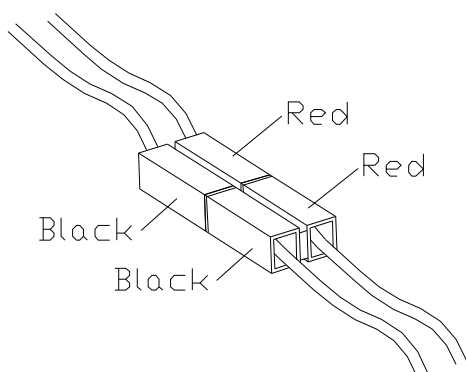
Montaje del mango:

- Desbloquear el dispositivo de bloqueo del mango como está indicado.
- Hacer girar el mango hasta la altura de trabajo adecuada.
- Llevar el dispositivo de bloqueo del mango a la posición de bloqueo.



Conexión de la batería:

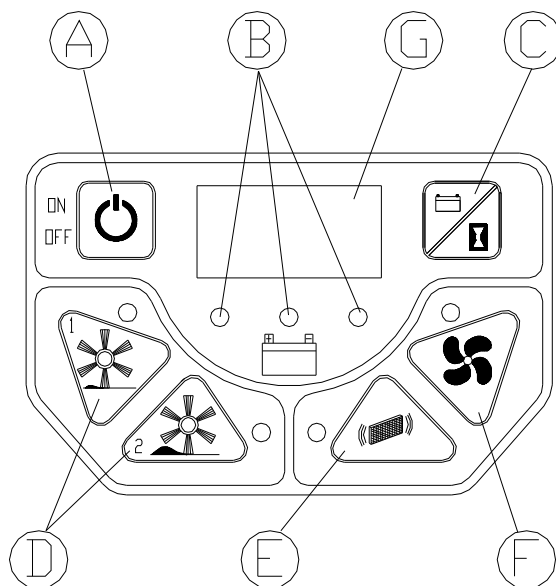
Con la llave hexagonal de 4 mm quitar la tapa superior para poder acceder a la batería.



Identificar los dos conectores rojo (red)/negro (black).
Alinear los conectores según el color.
Conectar los dos conectores.

COMPONENTES DE LA MÁQUINA Y DEL PANEL DE CONTROL:

La máquina está provista de un panel fácil de usar que sirve para el control de las funciones operativas.



- A) Interruptor ON-OFF de la máquina
- B) LED de señalización del estado de carga de la batería
- C) Interruptor para el display
- D) Interruptores ON-OFF 1 y 2 para seleccionar la modalidad de funcionamiento
- E) Interruptor para el arranque manual del sacudidor de filtro
- F) Interruptor para el ventilador de aspiración
- G) Display numérico

El panel de control está provisto de los siguientes elementos:

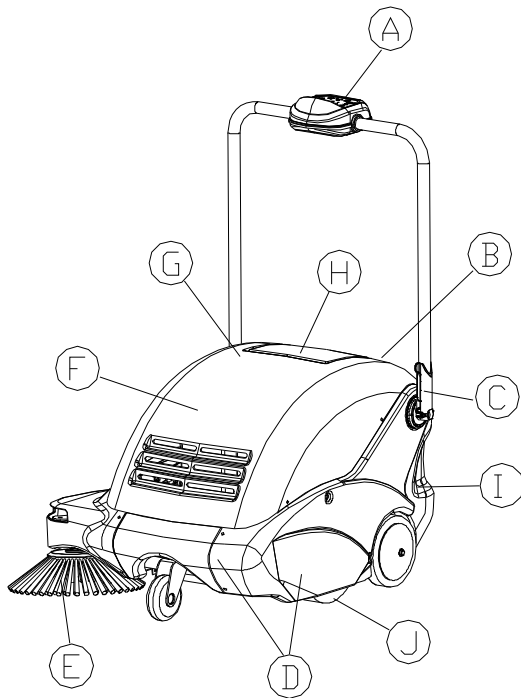
- A) Interruptor principal para encender y apagar la máquina.
- B) LED para señalar el estado de carga de la batería. El LED está verde si la batería está cargada, rojo si está descargada y amarillo si está en reserva o en carga.
- C) Interruptor del display numérico: al pulsarlo se visualizan la tensión de la máquina y las horas (pulsar una vez) o los minutos (pulsar dos veces) de funcionamiento de la máquina.
- D) Interruptores ON-OFF 1 y 2 para seleccionar la modalidad de funcionamiento: con estos dos interruptores se pueden seleccionar dos modalidades de funcionamiento: modalidad 1 para residuos ligeros y modalidad 2 para residuos pesados.
- E) El interruptor para el arranque manual del sacudidor de filtro se puede accionar en cualquier momento. La función se añade al sacudimiento automático, que se produce cada 3 minutos.
- F) Ventilador de aspiración: se activa automáticamente durante el funcionamiento. El interruptor se utiliza cuando es necesario apagar el ventilador durante el funcionamiento de la máquina.
- G) Display numérico

USO DEL CARGADOR DE BATERÍAS A BORDO DE LA MÁQUINA:

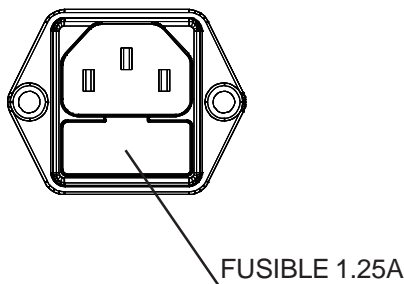
Cuando la batería de la máquina se descarga, el LED rojo del panel de control se enciende y todas las funciones de la máquina se detienen automáticamente: el operador debe apagar la máquina y dar inicio a la carga conectando la clavija del cargador de baterías de la máquina a una toma eléctrica CA. Durante la carga se enciende en el display el LED amarillo. Cuando la batería termina de cargarse se enciende el LED verde. Sólo entonces se puede desconectar la clavija del cargador de baterías y volver a utilizar la máquina.

NOTA IMPORTANTE: SI LA MÁQUINA SE UTILIZA ANTES DE QUE FINALICE LA CARGA Y SE ENCIENDA EL LED VERDE, SE CORRE EL RIESGO DE REDUCIR LA DURACIÓN DE LA BATERÍA Y DEJAR LA GARANTÍA SIN EFECTO. El cargador de baterías a bordo de la máquina está diseñado para baterías selladas.

NOTA: si se conecta la clavija del cargador de baterías mientras la máquina está en funcionamiento, todas las funciones se detienen automáticamente. Tal operación está prohibida.



- A) PANEL DE CONTROL
- B) FUSIBLE DEL CARGADOR DE BATERÍAS (1.25A)



FUSIBLE 1.25A

- C) DISPOSITIVOS DE BLOQUEO PARA LA MANILLA
- D) PARACHOQUES
- E) CEPILLO LATERAL
- F) TAPA SUPERIOR
- G) ETIQUETA DE ADVERTENCIA
- H) CAVIDAD PARA EL CABLE DEL CARGADOR DE BATERÍAS
- I) CAJÓN
- J) CEPILLO

PUESTA EN MARCHA DE LA MÁQUINA:

ATENCIÓN: la máquina debe ser utilizada únicamente por personal autorizado. **NO DEJAR LA MÁQUINA SIN VIGILANCIA** mientras está encendida. No utilizar la máquina para aspirar líquidos. Apagar la máquina antes de dejarla sin vigilancia.

PARA LA SEGURIDAD: NO UTILIZAR LA MÁQUINA SIN ANTES LEER Y COMPRENDER EL MANUAL DE USO

Para poner en marcha la máquina:

- Pulsar el interruptor ON/OFF
 - Controlar si el LED verde está encendido, y por lo tanto la batería está cargada
 - Seleccionar la modalidad de funcionamiento adecuada
- Interruptor ON/OFF 1 para residuos ligeros y superficies lisas
Interruptor ON/OFF 2 para residuos pesados y cemento, superficies lisas de asfalto o moqueta
- Notas: el uso de la modalidad 2 reduce el tiempo de funcionamiento de la máquina.

PARA EL USO CORRECTO DE LA MÁQUINA:

Una vez puesta en marcha, la máquina puede utilizarse para barrer. Para obtener las mejores prestaciones y evitar daños a la máquina es preciso seguir atentamente las instrucciones del manual.

Se recomienda:

- no utilizar la máquina para recoger cables, cuerdas, alambres, agua u otros líquidos;
- levantar la parte delantera de la máquina empujando el manillar hacia abajo cuando hay residuos grandes (papel, hojas, etc.);

- activar el sacudidor de filtro al final de la sesión de trabajo.

ATENCIÓN: La máquina no ha sido fabricada para funcionar en superficies mojadas. Si es necesario utilizarla en ambientes moderadamente húmedos (acumulación de humedad en el piso) se recomienda activar la aspiración para evitar que se dañe el filtro. Los daños causados por la aspiración de residuos mojados no están cubiertos por la garantía.

ATENCIÓN: si la máquina no se va a utilizar durante más de un mes, es necesario desconectar los conectores rojo y negro de la batería.

Si la máquina no se va a utilizar durante más de una semana, es necesario desconectarla de la alimentación eléctrica.

VACIADO Y LIMPIEZA DEL CAJÓN DE RESIDUOS:

Antes de quitar el cajón hay que asegurarse de que la máquina esté apagada.

ATENCIÓN: LOS RESIDUOS DEBEN ELIMINARSE DE CONFORMIDAD CON LAS LEYES VIGENTES.

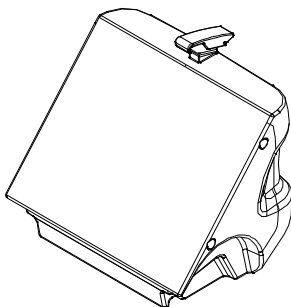
Para limpiar el cajón:

- Desbloquear la mordaza del cajón; para ello hay que levantarlo y empujar la parte posterior de la mordaza.
- Extraer el cajón tirando del mango
- Vaciar el cajón

Para montar el cajón:

- Introducir el cajón en su asiento
- Bajar y presionar la mordaza para bloquear el cajón en la posición correcta

Nota: se recomienda limpiar el prefiltro todos los días. Ver "Limpieza y mantenimiento del filtro" en la página 7.



MANTENIMIENTO DE LA MÁQUINA:

Las obras de mantenimiento deben ser efectuadas por personas que conozcan la máquina o por un CENTRO DE ASISTENCIA AUTORIZADO. Se aconseja utilizar sólo repuestos autorizados.

PARA LA SEGURIDAD: antes de realizar obras de mantenimiento en la máquina hay que desconectar la batería y el cargador de baterías.

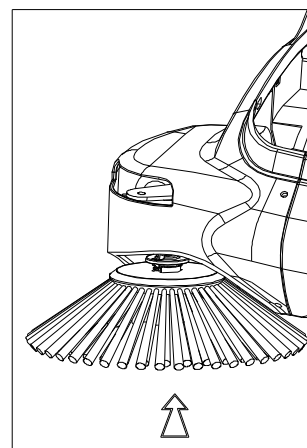
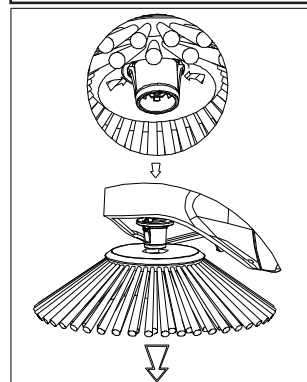
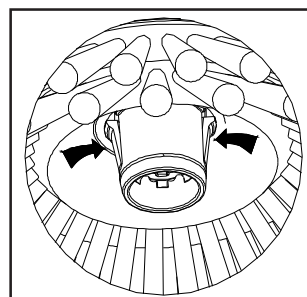
LISTA DE CONTROL DE MANTENIMIENTO	En el momento de la entrega	Todos los días	Cada 10 horas	Cada 20 horas	Cada 50 horas	Cada 100 horas
	Tensión de las cintas					
Apriete de los tornillos/pernos					X	
Desgaste de los cepillos					X	
Desgaste de las juntas, pérdidas			X			
Si todos los componentes funcionan bien	X	X	X	X	X	X
Vaciar el cajón		X				
Quitar y sacudir el prefiltro		X				
Controlar el filtro principal				X		

SUSTITUCIÓN DEL CEPILLO LATERAL:

Levantar la parte delantera de la máquina.

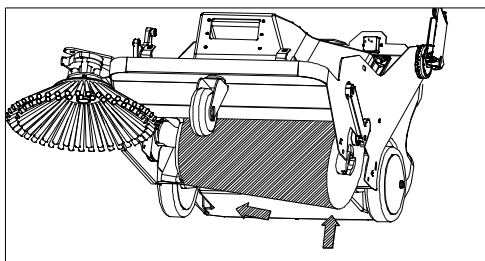
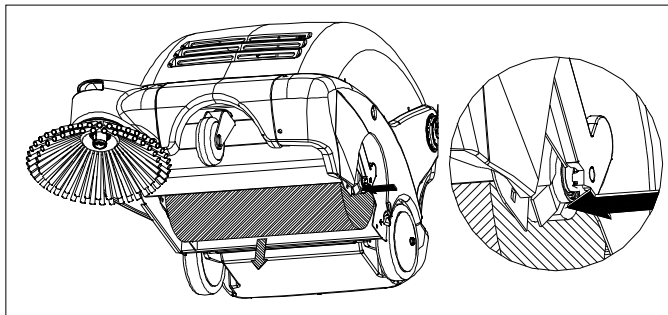
Presionar las dos lengüetas (marcadas por las flechas) y extraer los cepillos.

Colocar el cepillo nuevo y hacerlo desplazar hasta que quede bloqueado.



SUSTITUCIÓN DEL CEPILLO PRINCIPAL:

- Inclinar la máquina hacia atrás hasta que la manilla toque el piso. De esta manera se accede fácilmente al cepillo principal.
- Hacer girar el cepillo manualmente hasta ver una tecla negra sobre el lado derecho de la zona central del cepillo.
- Pulsar la tecla para desbloquear el cepillo.
- Colocar un cepillo nuevo siguiendo la guía.



LIMPIEZA Y MANTENIMIENTO DE LOS FILTROS:

Los filtros son componentes importantes de la máquina, esenciales para el funcionamiento correcto. El mantenimiento correcto de los filtros permite obtener las mejores prestaciones de la máquina.

Prefiltro (Pre-Filter)

Limpieza diaria

- 1) Quitar el cajón de residuos para poder acceder al prefiltro.
- 2) Desbloquear los dos pasadores de metal que retienen el prefiltro. Abrir los brazos de los pasadores y extraer el prefiltro.
- 3) Sacudir el prefiltro en un recipiente adecuado para residuos.
- 4) Montar el prefiltro y bloquearlo con los pasadores.

Filtro principal (Main-Filter)

El filtro principal se puede limpiar de tres maneras:

- 1) con el sacudidor de filtro automático: durante el funcionamiento, el sacudidor de filtro se activa automáticamente cada 3 minutos.

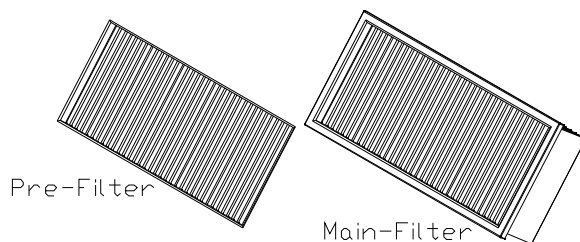
- 2) activando el sacudidor de filtro manualmente: un simple mando es suficiente para mantener el filtro en condiciones perfectas: pulsar unos segundos la tecla 'E'. Repetir 4 ó 5 veces. Cuanto más limpio esté el filtro mejores serán las prestaciones de la máquina. Se aconseja efectuar esta operación al final de cada ciclo de trabajo.

NOTA: ambientes polvorientos

Si la máquina se utiliza en ambientes polvorientos, es conveniente activar el sacudidor de filtro manualmente con mayor frecuencia.

- 3) limpieza manual del filtro:

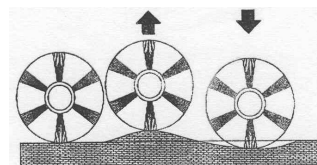
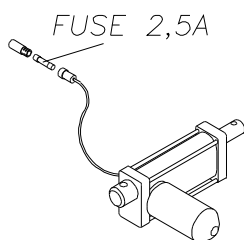
Limpiar el filtro manualmente cuando la acción del sacudidor de filtro no es suficiente para mantenerlo limpio y/o cada 20 horas de funcionamiento. Antes de efectuar cualquier trabajo en la máquina hay que comprobar que esté apagada y que todas las funciones estén desactivadas.



- 1) Quitar el cajón posterior.
- 2) Extraer el filtro.
- 3) Soplar aire comprimido en el interior del filtro (a una presión máxima de 87 psi). **Utilizar gafas de seguridad**
- 4) Montar los filtros y el cajón posterior.

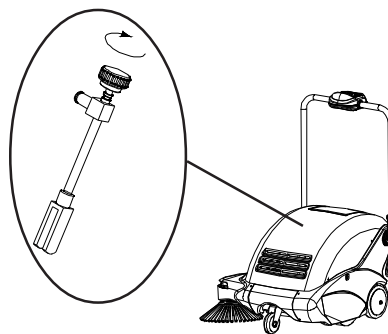
FUNCIONAMIENTO DEL ACTUADOR:

El sistema permite al cepillo principal o lateral adaptarse constantemente a diferentes tipos de superficies según su naturaleza y según el propio grado de desgaste.



REGULACIÓN DEL CEPILLO LATERAL :

Para regular el cepillo lateral hay que quitar la tapa superior y hacer girar la manilla de regulación en la dirección indicada.



CÓDIGOS DE VISUALIZACIÓN DEL PANEL DE CONTROL:

Código de seguridad	Causa	Acciones
C22	Protección del cepillo contra los cortocircuitos: detiene todas las funciones.	Restablecer apagando y volviendo a encender la máquina.
C14	Disipador de alta temperatura. Se activa cuando la temperatura supera los 194°F.	La máquina se restablece cuando la temperatura baja de los 176°F.
FS0	Cepillos gastados.	Sustituir el cepillo.
SP1	CEPILLOS KO	Error reseteable sólo apagando la máquina. Se activa si en el plazo de un minuto los cepillos se ponen en protección tres veces (SHUTDOWN).
LED amarillo encendido	Batería en reserva.	La máquina sigue funcionando. Sólo una advertencia: la batería se está descargando.
LED rojo parpadeante	Batería descargada.	Todas las funciones de la máquina se interrumpen. Apagar la máquina y cargar la batería.
P1.X	Programación del interruptor de modalidad operativa 1 activada.	Ver Programación.
P2.X	Programación del interruptor de modalidad operativa 2 activada.	Ver Programación.
SF.X	Configuración del programa del sacudidor de filtro activada.	Ver Programación.

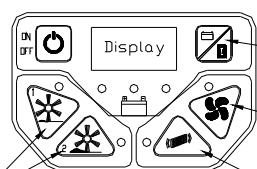
X = VALOR COMPRENDIDO ENTRE “0” Y “5”

INSTRUCCIONES DE PROGRAMACIÓN:

El programa permite regular la presión del cepillo y la frecuencia del sacudidor automático del filtro.

1. Encender la máquina.
2. Mantener pulsada aproximadamente 5 segundos la tecla con el icono del reloj de arena hasta que se visualice X= 0...5.
3. P1 es la presión del cepillo para la opción de trabajo 1. El valor de X puede variarse de 0 a 5 utilizando el pulsador ventilador para aumentar y el pulsador sacudidor de filtro para disminuir. Cuanto más alto es el valor, mayor es la presión del cepillo. El valor predefinido de fábrica es 2.
4. Pulsar una vez la tecla ‘reloj de arena’. En pantalla se visualizará P2.X. Ésta es la programación para la opción de trabajo 2. Para aportar variaciones, seguir el procedimiento descrito en el punto 3. El valor predefinido de fábrica es 4.
5. Pulsar una vez la tecla ‘reloj de arena’. En el display se visualizará SF.X. X corresponde a la frecuencia de funcionamiento del sacudidor de filtro expresada en minutos. Para aportar variaciones, utilizar el pulsador ventilador para aumentar y el pulsador sacudidor de filtro para disminuir. El valor predefinido de fábrica es 3.
6. Para retornar al modo de funcionamiento, mantener pulsada aproximadamente 5 segundos la tecla con el icono del reloj de arena hasta que se visualice la tensión de la batería.

Interruptores ON-OFF 1 y 2 para seleccionar la modalidad de funcionamiento



Interruptor para el display

Interruptor para el ventilador de aspiración

Interruptor para el arranque manual del sacudidor de filtro

目录


安全须知:	26
技术特征:	27
开箱:	27
机器准备:	27
机器和控制面板部件:	28
随配内置电池充电器的使用:	29
机器的启动:	29
正确使用机器的操作:	29
废物垃圾箱的清空和清洗:	30
边刷更换:	30
主刷更换:	31
过滤网的清洗和保养:	31
启动马达功能:	31
边刷的调节:	31
控制面板显示代码:	32
程序设计:	32

安全须知：

本机器只用于商业用途。它能在室内环境中从干硬地面或地毯表面收集污垢、干燥碎片和灰尘。除此之外，不再适合于任何其他用途。禁止收集任何种类的液体物质或危险/有毒物质。


所有操作员必须阅读、理解和执行下列安全须知。

本手册中使用的下列警告提示符和“为安全起见”标题，含义请见其各自说明：


 **警告：** 为了对可能造成严重人身伤害或死亡的有害物质或危险行为提出警告。


为安全起见：为了确认哪些是安全操作设备所需的正确行为。

如果未遵守这些警告，可能会造成：人身伤害、被电死、触电、火灾或爆炸：


 **警告：** 切勿在易燃性液体、蒸汽或可燃性粉尘里或附近操作机器。


本机器未配备防爆电机。因为电机在启动时以及操作期间发出火花，所以如果在有易燃性蒸汽/液体或可燃性粉尘区域中使用机器，就可能会导致闪燃或爆炸。

 **警告：** 切勿收集易燃或有毒物质、燃烧碎片或冒烟碎片。

 **警告：** 切勿用受损电源线给电池充电。切勿改装插头。

如果充电器电源线受损或断裂，制造商或制造商的服务代理人或类似合格人员必须予以更换，从而避免发生危险。

 **警告：** 在保养机器之前，断开电池缆线并拔掉充电器电源线。

 **警告：** 切勿在室外或潮湿表面上使用机器。切勿暴露在雨水中。放于室内。

下列信息描述了可能对操作员或设备存在危险的情况：

为安全起见：

1. 如有下列情形，切勿操作机器：
 - 在易燃或易爆的区域中。
 - 未经培训和授权。
 - 未阅读和理解操作手册。
 - 操作条件不当。
 - 垃圾箱和/或过滤网没有安装到位。
2. 在启动机器前：
 - 确保一切安全装置都已到位而且操作良好。
3. 使用机器时：
 - 切勿收集燃烧着的或正在冒烟的碎片，例如香烟、火柴或热灰。
 - 切勿在积水中操作机器。
 - 立即汇报机器损坏或错误操作情况。
 - 在斜坡和光滑表面上慢行。
 - 切勿离开机器使之无人看管或把机器丢在不平整的表面上。
 - 切勿拾取电缆、绳子、电线或其他类似材料。
 - 确保区域中有充分照明。
 - 禁止儿童在机器上或机器周围玩耍。
 - 切勿用机器来载人或载物。
 - 在多尘的环境中戴上防尘口罩、防护眼镜和手套。
4. 在离开或保养机器之前：
 - 把机器停在平整的表面上。
 - 关掉机器电源。
5. 保养机器时：
 - 避免移动零件。切勿穿着宽松夹克衫、衬衫或袖套。
 - 在操作机器之前，断开电池连接和充电器插头。

- 使用制造商提供的或批准的更换零件。
- 所有修理工作必须由合格的服务人员实施。
- 切勿更改机器的原有设计。

6. 运输机器时:

- 关掉机器电源。
- 在起吊机器时须有协助。
- 在把机器装卸到卡车或拖车上时, 使用推荐的坡道。
- 用绑扎带将机器固定到卡车或拖车上。

安全标签:

安全标签应当贴在机器上规定的位置处。如果安全标签掉了或受损或模糊不清, 请予以更换。



安全标签 - 贴在机器护罩上



技术特征:

说明		
宽度包括边刷在内	600mm	23,75"
长度包括边刷在内	730mm	28,75"
高度包括手柄在内	950mm	37,5"
机器高度包括折叠手柄	559mm	22"
最大扫地宽度	650mm	25"
重量	53Kg	115lbs
收集箱 (实际) 容量	9,3 Lt 1,25 Cu.ft	
运行时间	2h	
过滤面	0,95mq	10 sq.ft
生产率-理论上	1800mq/h	18000 sq.ft
生产率-预计\实际	900mq/h	9000 sq.ft
总耗电量	360W/18A	360W/18A
电池种类	免维护密闭式电池 42A/5h	
噪音级别	61dba	

开箱:

小心谨慎地打开机器, 避免移动造成损坏。给机器开箱时, 要检查机器零件状态。如果机器的任何零件损坏, 请立即联系我们的授权经销商。为了运输和包装, 必须实施一些组装作业。正确组装的说明, 请见机器准备部分。

包装内容:

- 机器
- 边刷
- 使用和维护手册
- 免维护型电池
- 4mm 六角扳手
- 20 amp 备用保险丝
- 充电器连接线

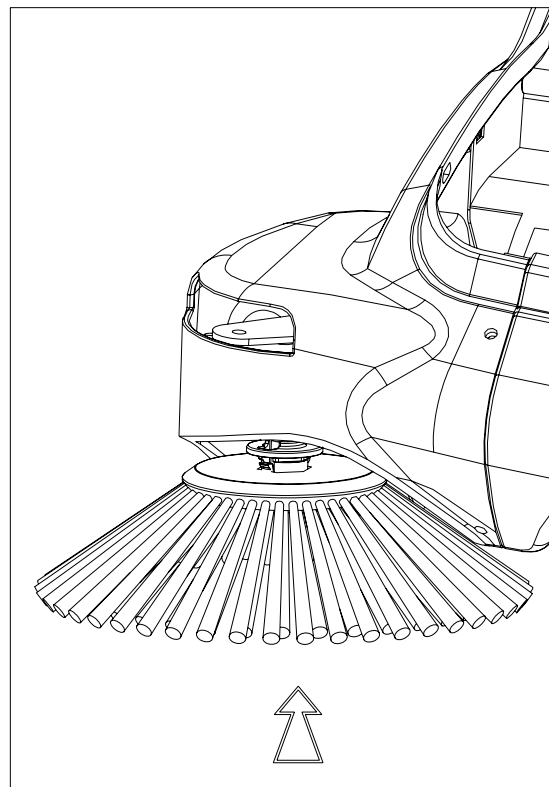
如果缺少上面任何一项, 请立即联系我们的授权经销商。

确保所有包装材料 (塑料、纸板箱、货盘等) 皆已收集妥当, 并放置于儿童够不到的地方。

机器准备:

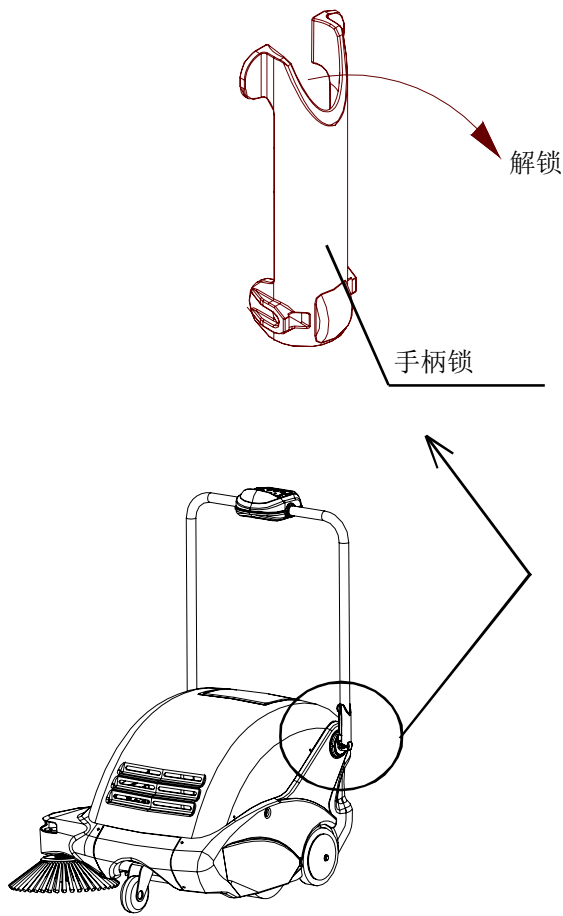
边刷的组装:

- 将机器的前部抬起, 把刷子滑动到轴上直至锁定位为止。



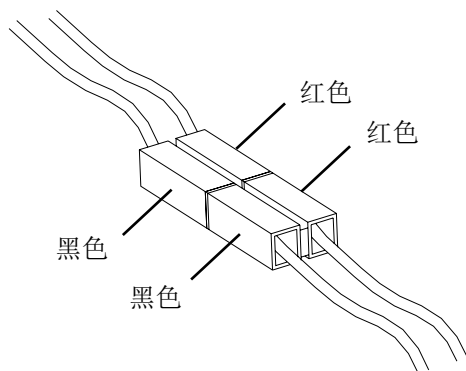
手柄的组装:

- 按图拧松手柄锁
- 将手柄旋转到作业高度位置
- 将手柄锁还原到锁定位置



连接电池:

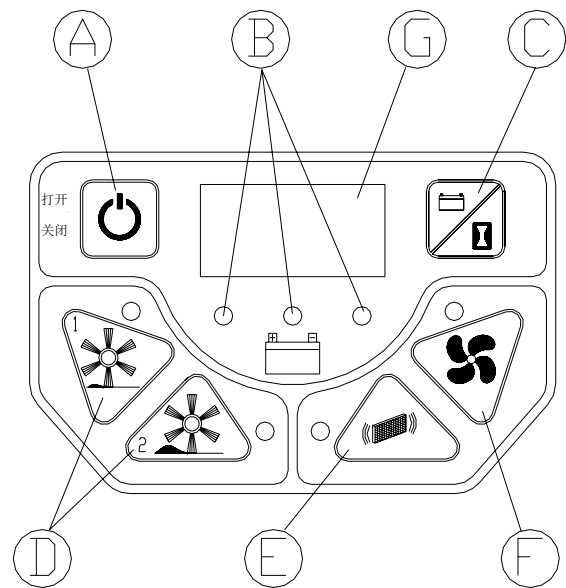
用提供的4 mm六角扳手取下顶盖后可以接触到电池。



给两个红色/黑色连接器定位。
使连接器的颜色成条直线。
将两个连接器插在一起。

机器和控制面板部件:

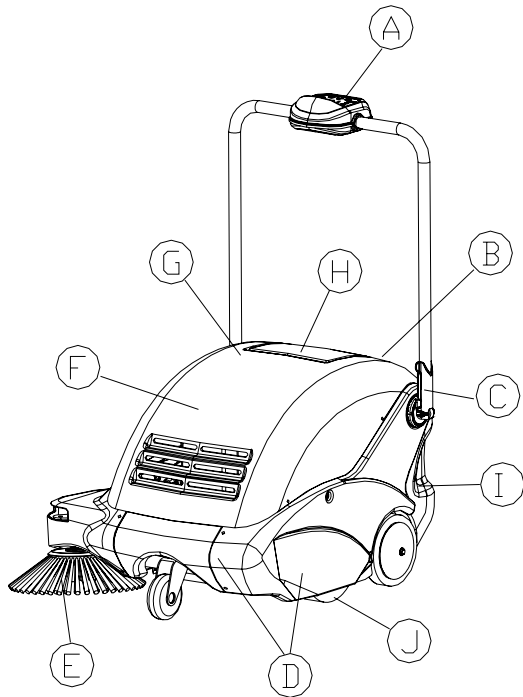
机器配备了一个简单的面板控制器, 这个控制器能控制机器的一切操作功能。



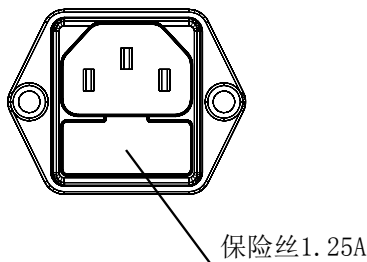
- A) 机器的打开-关闭主开关
- B) 电池充电器的红色指示灯
- C) 显示屏开关
- D) 扫地模式打开-关闭开关1和2
- E) 过滤网震尘器的手动操作开关
- F) 真空风扇开关
- G) 数字显示屏

控制面板上的功能如下所示:

- A) 主开关用来打开和关闭机器电源。
- B) 电池充电指示灯。
绿灯表示机器电量充足, 红灯表示机器电量不足, 黄灯表示机器在使用预备电量或正在充电。
- C) 数字显示屏开关: 按下这个开关, 除了能看到机器电压外, 显示屏上还会显示出机器的工作小时 (按开关一次) 和分钟 (按开关两次)。
- D) 扫地模式打开-关闭开关1和2: 这两个开关能让机器在两个不同的扫地模式下工作: 模式1用来收集较轻的垃圾, 而模式2用来收集较重的垃圾。
- E) 过滤网震尘器的手动操作开关用于在工作期间任何时候对过滤网进行弹尘震动。这是每3分钟循环一次的自动过滤网弹尘功能的一种补充功能。
- F) 真空风扇: 当处于扫地模式时真空风扇会自动激活。因此, 如果需要于扫地模式下关闭真空风扇时, 可按这个开关。
- G) 数字显示屏



- A) 控制面板
- B) 充电器保险丝 (1.25A)



- C) 手柄锁
- D) 缓冲器
- E) 边刷
- F) 顶盖
- G) 警告标签
- H) 充电器连接线线盒
- I) 垃圾箱
- J) 刷子

随配内置电池充电器的使用:

当机器中电池没电时, 控制面板上会亮红灯, 机器的一切功能也会自动暂停: 随后操作员必须关掉机器电源, 将机器电池充电器插头连接到交流电插座中, 从而启动充电程序。(充电期间, 控制面板上的黄灯会亮): 机器充满电后绿灯会亮, 这时断开电池充电器插头, 机器操作准备就绪。

重要提醒: 如果在电池充满电和显示屏上的绿灯亮起之前使用机器, 那么将会缩短您的电池使用寿命和运行时间, 而且无法获得保修。
随配充电器专为密闭式电池而设计。

提醒: 如果在工作模式下连接机器电池充电器, 机器会自动暂停其一切功能。禁止此类操作。

机器的启动:

注意: 只有授权人员才能使用机器, 切勿在机器电源打开时离开机器, 切勿用机器收集液体, 务必在离开机器前关掉机器电源。

为安全起见: 在阅读和理解操作手册之前, 不要操作机器。

要想启动机器, 请遵守下列程序:

- 按打开/关闭主按钮。
- 检查表示电池正常充电的绿灯是否亮着
- 选择适当的扫地模式

扫地模式打开/关闭按钮1

用于较轻的垃圾和光滑平面

扫地模式打开/关闭按钮2

- 用于较重的垃圾、混凝土、沥青和地毯表面。

提醒: 使用扫地模式2会缩短最长的机器运行时间。

正确使用机器的操作:

执行了所有的机器启动操作后, 您现在已经准备就绪, 随后可使用这台扫地机了。为了实现最大的工作效率, 请遵守本手册中程序, 从而避免发生机器受损风险。

谨记:

- 切勿用机器来收集电线、线绳、水或其他液体。
- 如果有大量碎片 (纸张、树叶等), 按下手柄抬起机器前端。在工作结束时震动过滤网。

注意：本机器不得用于清扫潮湿表面。但是如果您所在的环境稍微有些潮湿（地面上有积水），那么您必须关掉真空风扇电源，以防止过滤网受损。由于收集潮湿碎片而使机器受损，则不在保修范围之内。

注意：如果超过一个月不使用扫地机，那么您必须断开红色和黑色的电池线夹。如果超过一周不使用扫地机，那么您应当保持电池与插座的连接状态。

废物垃圾箱的清空和清洗：

在准备取出垃圾箱之前，要确保关掉机器电源。

注意：必须按照现行法律规定处置废物。

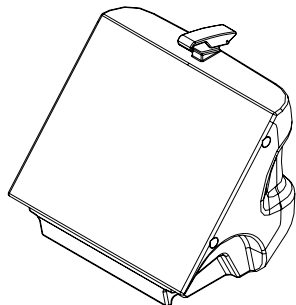
按照下列步骤清洗废物垃圾箱：

- 通过抬起垃圾箱夹然后推动垃圾箱夹后背而松动垃圾箱。
- 用垃圾箱手柄取出垃圾箱
- 清空垃圾箱

按照下列步骤放回垃圾箱：

- 将垃圾箱滑动回原位
- 放低垃圾箱夹并按下垃圾箱夹使其锁定到位。

提醒： 建议每日清洗预滤网。请见第7页的过滤网清洗和保养。



机器维护：

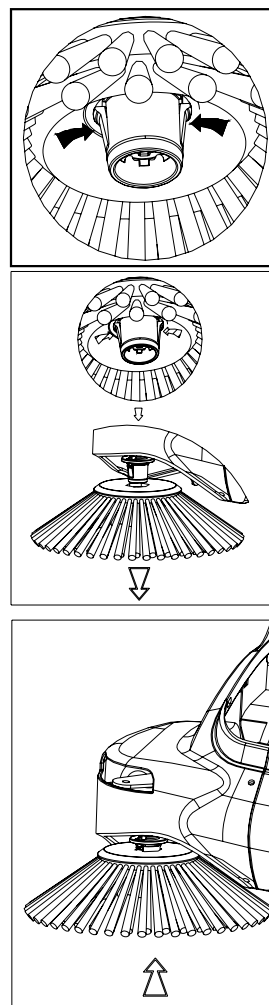
所有保养服务应当由了解机器的人员或授权服务中心来完成。建议保养时只使用经过授权的维修零件。

为安全起见：在保养机器时断开电池连接，并在操作机器时断开电池充电器插头

维修清单	交付时	每日	每10个小时	每20个小时	每50个小时	每100个小时
皮带是否松了						X
螺母螺丝是否拧紧					X	
刷子是否磨损					X	
垫片是否磨损并出现渗漏			X			
如果所有功能正常	X	X	X	X	X	X
清空垃圾箱		X				
取下并震动预滤网		X				
检查主过滤网				X		

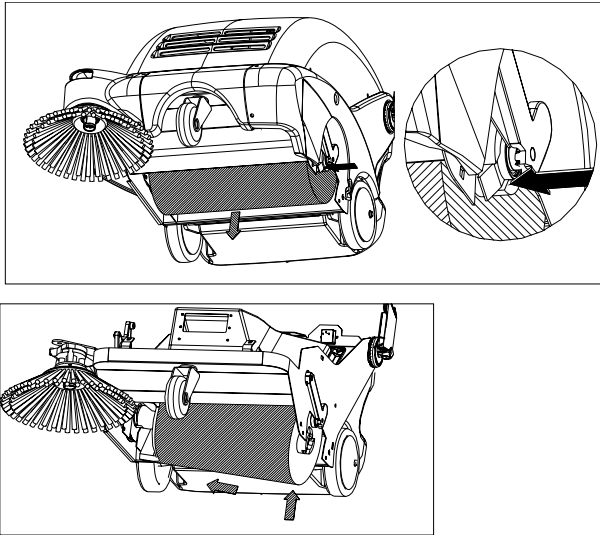
边刷更换

抬高机器的前端。按下2个调整片（按照箭头指示）取下边刷。滑动新边刷直至锁定到位。



主刷更换

- 将机器向后倾斜直至手柄触地，从而可以轻易地碰到主刷。
- 手动旋转主刷直至看到刷芯右边的黑色按钮。
- 按下黑色按钮，并推动取下主刷。
- 按照指南插入新的主刷。



过滤网的清洁和保养

过滤网是机器和正确操作机器必不可少的部件。适当维护滤网能使您获得机器的最大工作效率。

预滤网

每日清洗

- 1) 取下垃圾箱以便接触到预滤网
- 2) 拧松固定预滤网的两个金属固定夹臂。向外旋转固定夹臂，并取下预滤网。
- 3) 将预滤网震动到碎片容器中。
- 4) 更换预滤网并固定好绳夹舌板。

主滤网

主滤网可以用下列三种方式中任何一种清洗：

- 1) 自动过滤网震尘器：

操作期间，机器将每3分钟自动激活一次过滤网震尘器。

- 2) 手动激活过滤网震尘器：

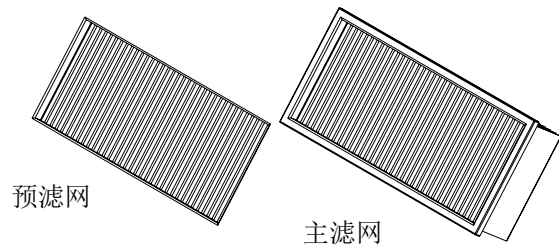
要想过滤网正常运转只需一个简单命令：
按下“E”钮，并持续按住几秒钟。重复这一操作4或5次。牢记过滤网越干净，您的清洁效果就越好。建议在每个工作循环周期结束时进行此项操作。

提醒：满是灰尘的环境

如果您在到处是灰的环境中使用机器，多多使用手动过滤网震尘器是个不错的主意。

- 3) 手动清洗过滤网：

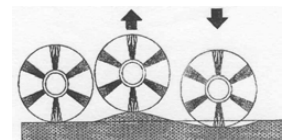
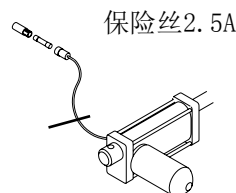
如果过滤网震尘器无法保持和/或无法每20个工作小时保持过滤网的清洁，那么就要手动清洗过滤网。在进行任何种类的机器程序时，确保关掉机器电源，还要确保所有功能处于非激活状态。



- 1) 取下后部垃圾箱
- 2) 取出过滤网
- 3) 将压缩空气吹进过滤网一侧（最大压强不超过87 psi）
必须带上安全眼镜
- 4) 重新安装过滤网和后部垃圾箱

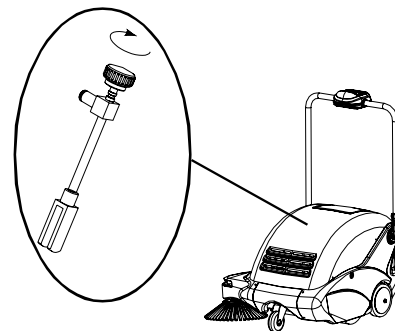
执行器功能

这个系统能使刷子立即地且连续地刷过各类表面，根据不同表面情况和刷子使用寿命期间出现的磨损情况，进行自我调节。



边刷的调节

要想调节边刷，先取下顶盖，然后按照规定方向旋转调节手柄。



控制面板显示代码:

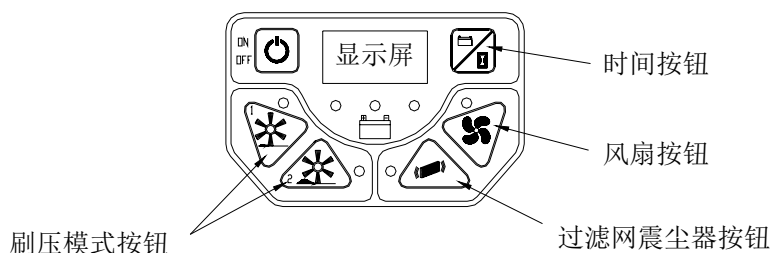
安全代码	原因	采取的措施
C22	刷子短路保护暂停了所有功能:	关闭机器电源然后再次启动, 进行重新设定
C14	在高温下散热。在温度超过 194° F时激活。	在温度低于176° F时重新设定机器
FS0	刷子破损	更换刷子
SP1	刷子的电机受限	检查刷子是否堵塞。再次启动机器进行重新设定
黄灯亮	电池在使用预备电量	机器继续工作。只是警告电池快没电
红灯闪烁	电池没电	机器暂停一切功能。关闭机器电源并给电池充电
P1.X	扫地模式1按钮 激活编程指令	见编程设计
P2.X	扫地模式2按钮 激活编程指令	见编程设计
SF.X	激活过滤网震尘器的程序设定	见编程设计

X = “0” 到 “5” 之间的某个数值

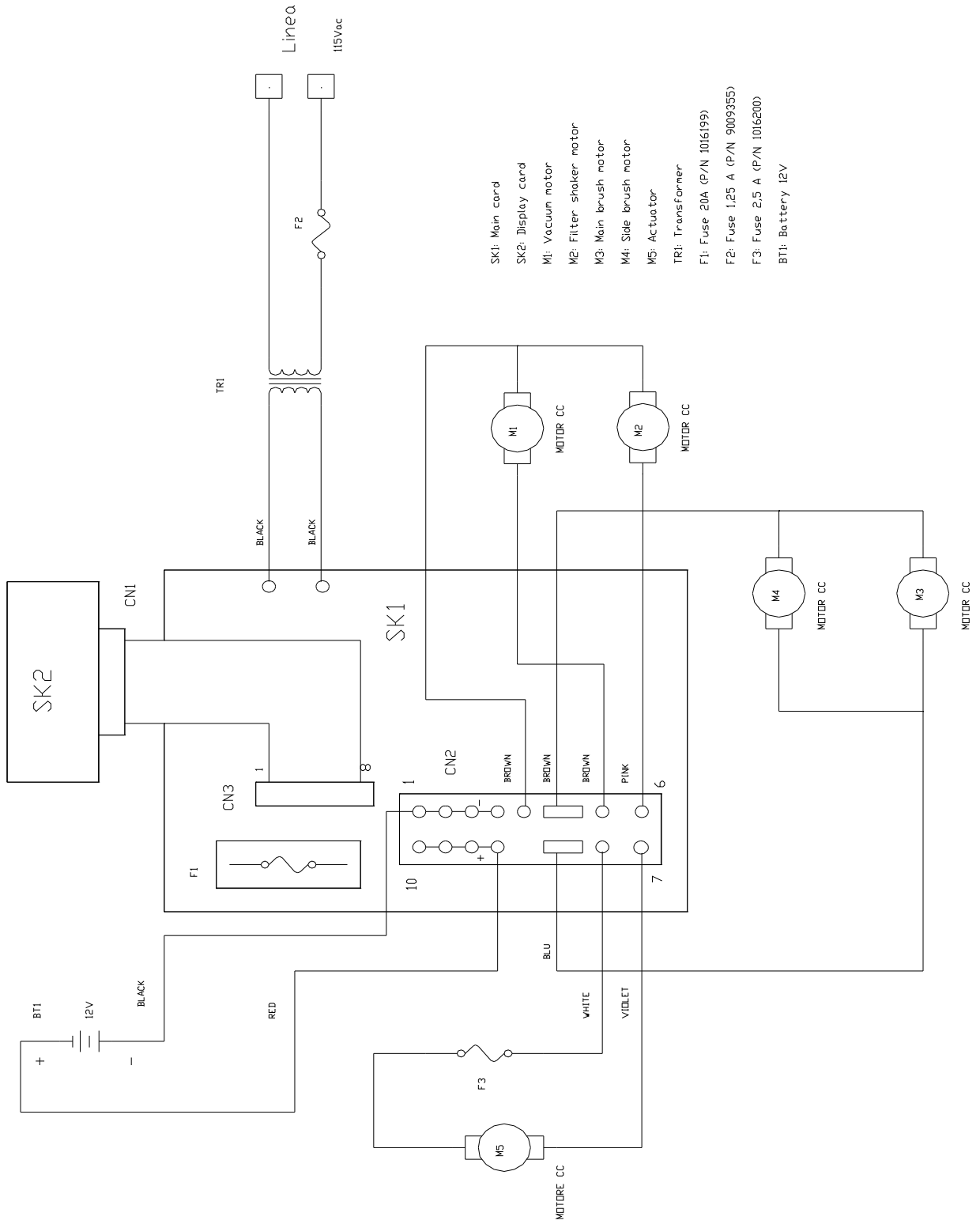
编程指令:

这个程序能让您调节刷压和过滤网自动震尘器的频率。

1. 启动机器。
2. 持续按住显示屏右边的时间按钮约5秒钟, 直至出现P1. X, 这里X=0到5之间的某个数值
3. P1是扫地模式1下的刷压设定值。您可以用风扇按钮增加或过滤网震尘器按钮减少X的数值, 数值范围在0到5之间。数值越高, 刷压越大。出厂设定值为2.
4. 按下时间按钮一次。显示屏上会出现P2. X。这是扫地模式2下的设定值。若要更改, 可执行步骤3中相同程序。出厂设定值为4。
5. 按下时间按钮一次。显示屏上会出现SF. X。这里X=自动过滤网震尘器的每分钟操作频率。若要更改, 可使用风扇按钮增加或过滤网震尘器按钮减少这个数值。出厂设定值为3。
6. 若要返回到操作模式, 请按住时间按钮不放约5秒, 直至显示电池电压为止。

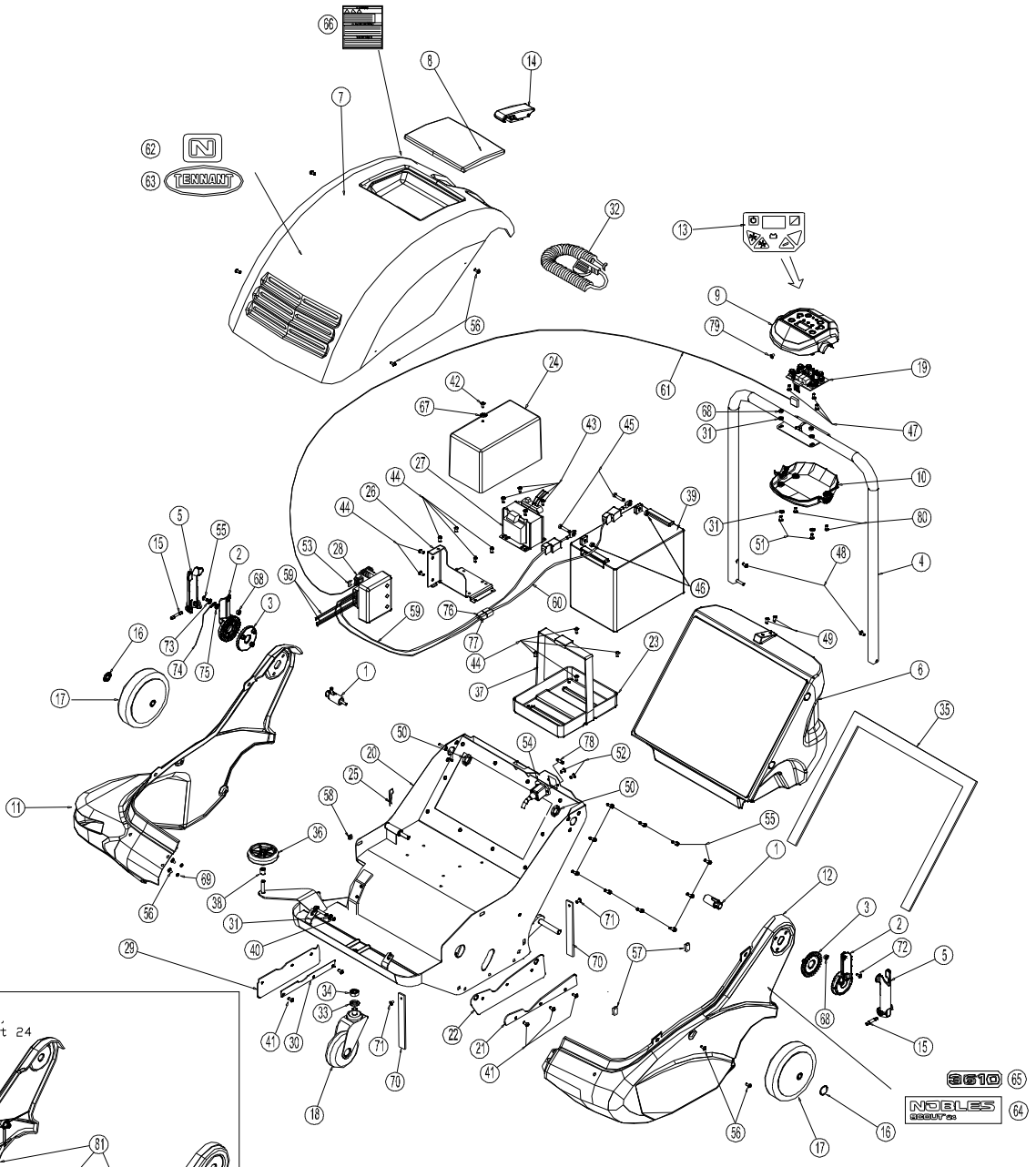


ELECTRICAL SCHEMATIC



- SK1: Main card
- SK2: Display card
- M1: Vacuum motor
- M2: Filter shaker motor
- M3: Main brush motor
- M4: Side brush motor
- M5: Actuator
- TRI: Transformer
- F1: Fuse 20A (P/N 1016199)
- F2: Fuse 1.25 A (P/N 9009355)
- F3: Fuse 2.5 A (P/N 1016200)
- BT1: Battery 12V

CHASSIS GROUP



Before Serial No:
 8000110100 Tennant 3610,
 8000108052 Nobles Scout 24

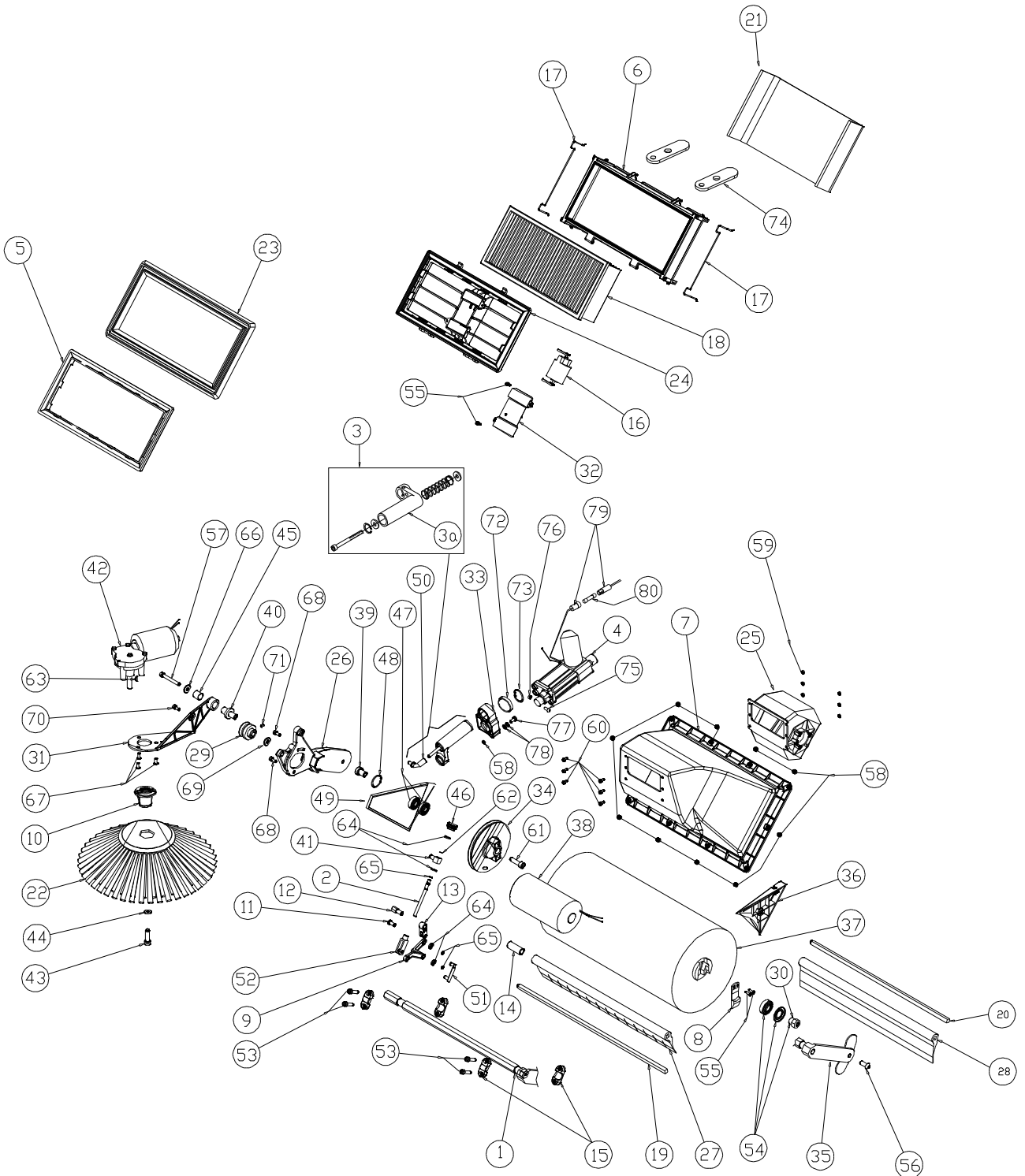
CHASSIS GROUP

Ref.	Part. No	Description	Qty	42	604092	SCREW, 4x12,	1
				43	1016213	SCREW, 4x16, UNI 7687	4
1	1016161	PIN, HANDLE, ROTATION	2	44	604092	SCREW, 4x12,	8
2	1016162	CLAMP, SERRATED, HANDLE LOCK	2	45	1016215	SCREW, 6x18, UNI 5937, ZB	2
3	1016163	PAD, SERRATED, HANDLE LOCK	2	46	1016216	NUT, M6, UNI 5588, ZB	2
4	1016164	HANDLE, TUBE, W/GRIP	1	47	604210	NUT, M4,	3
5	1016165	LEVER, LOCK, HANDLE	2	48	9006273	VR, SCREW, M6x10	2
6	1048352	HOPPER ASSEMBLY (includes #14 & #49)	1	49	1016219	SCREW 5x20, UNI 5933	2
7	1046876	COVER, NOBLES, TOP W/WARNING LABEL	1	50	1016497	Nut	2
7	1046873	COVER, TENNANT, TOP W/WARNING LABEL	1	51	9006274	VR, SCREW, M5x16	2
8	1046874	DOOR, TENNANT	1	52	1016222	SCREW	2
8	1046878	DOOR, NOBLES	1	53	1016199	● FUSE, 20AMP, MAIN CARD	1
9	1040249	PANEL, TOUCH, HOUSING TOP	1	54	614395	CONNECTOR, PLUG, CHARGER	1
10	1016173	HOUSING, CONTROL, BOTTOM	1	55	1016207	SCREW 5x15, UNI 5933	1
11	1045370	PANEL, RIGHT SIDE	1	56	603349	SCREW 6x16, UNI 7380	12
12	1045371	PANEL, LEFT SIDE	1	57	614388	NUT, M6, PANEL CLIP	4
13	1027734	DISPLAY	1	58	614389	NUT, M6, SQUARE CLIP	6
14	1016177	LATCH, HOPPER	1	59	1016498	CABLE, BATTERY, BOTTOM ASSY (includes motor wires)	1
15	1016178	PIN, LEVER, HANDLE	2	60	1016202	CABLE, BATTERY, TOP ASSY	1
16	1016179	CLIP, WHEEL, REAR	2	61	614390	WIRE, ASSY, TOUCH PANEL	1
17	1016180	WHEEL, REAR	2	62	1034636	LABEL, NOBLES	1
18	1016181	CASTER, FRONT	1	63	611922	LABEL, TENNANT	1
19	1016182	● CONTROL, TOUCH, BOARD	1	64	1035558	LABEL, SCOUT 24	2
20	1016183	FRAME, SCOUT 24 / 3610	1	65	614203	LABEL, 3610	2
21	1016184	PLATE, SKIRT, LEFT SIDE	1	66	1026414	LABEL, WARNING, US	1
22	1016185	● SKIRT, LEFT SIDE	1		1070599	LABEL, WARNING, CHINA	1
23	1016186	TRAY, BATTERY	1	67	614396	WASHER, 4x12	1
24	1016187	COVER, ELECTRONICS	1	68	1016286	NUT, M5, DIN 985	3
25	614366	PIN, ACTUATOR MOTOR	1	69	614397	NUT, M6, DIN 985	4
26	1016189	BRACKET, ELECTRONICS	1	70	614385	STRAP, STATIC, REPLACEMENT	2
27	1016190	● TRANSFORMER W/WIRE HARNESS	1	71	614381	SCREW, HEX, M6x16	2
28	1016191	● CONTROL BOARD	1	72	614398	SCREW 5x12, UNI 5933	1
29	1016192	● SKIRT, RIGHT SIDE	1	73	604189	WASHER, 5x10	1
30	1016193	PLATE, SKIRT, RIGHT SIDE	1	74	614382	WIRE ASSY	1
31	604086	WASHER, 6x12,	3	75	604387	WASHER, LOCK	1
32	1016540	● CORD CHARGING 120V	1	76	12828	● CONNECTOR, CABLE, BLK, 1-WIRE	2
33	1016208	WASHER, 15x24, UNI 6592	1	77	12827	● CONNECTOR, CABLE, RED, 1-WIRE	3
34	604173	NUT, M12,	1	78	9009355	● FUSE, 1.25AMP, CHARGER	1
35	1016194	● GASKET, HOPPER	1	79	9006275	VR, SCREW, M2, 9-9, 5	1
36	1016195	WHEEL, BUMPER	1	80	9006276	VR, SCREW, 5-20, ZN	2
37	612624	STRAP, BATTERY	1	81	9004333	☆ PANEL KIT (replaced by items 11 & 12)	1
38	1016197	SPACER	1				
39	1016203	● BATTERY, 12V 42AH, MAINTENANCE FREE	1				
40	1016210	RING, RETAINING, D.6, UNI7435	1				
41	604208	SCREW, M3.5X9.5	6				

● RECOMMENDED STOCK ITEMS

☆ Before S/N 8000110100 Tennant 3610, S/N 800108052 Nobles Scout 24

BRUSH AND FILTER GROUP



BRUSH AND FILTER GROUP

Ref.	Part. No	Description	Qty	41	1016269	JOINT, ARTICULATED, ADJUSTOR ROD	1
				42	1016270	● MOTOR, BRUSH, SIDE	1
1	1016230	SHAFT, DRIVE, MAIN BRUSH	1	43	604209	SCREW, 4x16,	1
2	1016231	ROD, ADJUSTER	1	44	1016279	WASHER, D.4x16	1
3	1054314	GUIDE ASSY, ACTUATOR	1	45	1016280	BUSHING	1
3a	1016232	GUIDE, ACTUATOR	1	46	1016272	KNOB	1
4	1016233	● ACTUATOR	1	47	1016273	BEARING, 6001-2RS1-SKF	2
5	1016234	PLATE, FRAME, FILTER	1	48	1016274	RING, SNAP	1
6	1016235	FRAME, FILTER	1	49	1016275	● BELT, BRUSH, W/INSTRUCTIONS	1
7	1016236	HOUSING, BLOWER	1	50	1016276	JOINT, BALL	1
8	1016237	RETAINER, LOCKING, MAIN BRUSH	1	51	1016277	ARM	1
9	1016238	ARM, DRIVING, SIDE BRUSH	1	52	1016278	LINK	1
10	1016394	HUB, SIDE BRUSH, DRIVE	1	53	1016281	SCREW, 6x20, UNI 5931	4
11	1016239	PIN	1	54	1054951	BEARING, W/FLANGE & NUT	1
12	1016240	PIN, ARM, DRIVING	1	55	1016283	SCREW, 3.9x13, UNI 6954	4
13	1016241	ROD, CONNECTING	1	56	604225	SCREW, 8x16,	1
14	1016242	SPACER, SKIRT	1	57	1016285	SCREW, 6x50, UNI 5931	1
15	1016243	SUPPORT KIT, SHAFT, TOP & BOTTOM	2	58	1016286	NUT, M5	12
16	1016244	● MOTOR, SHAKER	1	59	1016287	NUT, M4	6
17	1016245	● RETAINER, FILTER, FRAME	2	60	604092	SCREW, 4x12,	6
18	1016246	● FILTER, PAPER, FLUTED	1	61	1016289	SCREW, 8x35, UNI5931	1
19	1016247	PIN, HOLDER, FRONT SKIRT	1	62	1016290	O-RING 4,8x8,1x1,78	1
20	1016248	PIN, HOLDER, REAR SKIRT	1	63	604103	KEY 3x3,7	1
21	1016249	● FILTER, PRE-FILTER	1	64	604086	WASHER , 6x12,	4
22	1016250	● BRUSH, SIDE	1	65	1016210	RING, RETAINING	3
23	1016251	● GASKET, FILTER	1	66	604159	WASHER, D6x24	1
24	1016252	FRAME, SHAKER	1	67	604101	SCREW, 6x16	1
25	1016253	● BLOWER, FAN, MOTOR	1	68	1016296	● SCREW, 5x12	3
26	1016254	ARM, BRUSH, MAIN	1	69	1016297	WASHER 0,3	1
27	1016255	● SKIRT, FRONT	1	70	1016296	SCREW, 5x12	1
28	1016256	● SKIRT, REAR	1	71	1016299	SCREW 4x8	1
29	1016257	PULLEY	1	72	1016300	● SPACER	1
30	1016258	NUT, BRUSH, MAIN	1	73	1016301	● RING, RETAINING	1
31	1016259	ARM, BRUSH, SIDE	1	74	1016198	● LATCH, RUBBER, FILTER	2
32	1016260	COVER, MOTOR, SHAKER	1	75	614391	SCREW, M6x30	1
33	1016261	SPRING, GUIDE	1	76	614392	NUT, M6, LOCK	1
34	1016262	PULLEY	1	77	614393	SCREW, M5x30	2
35	1016263	ARM, BRUSH, MAIN	1	78	604189	WASHER, 5x10	2
36	1016264	CONVEYOR	1	79	9006277	VR, FUSE BOX	1
37	1016265	● BRUSH, MAIN, W/LOCKING RETAINER	1	80	1016200	● FUSE, 2.5AMP, ACTUATOR	1
38	1016266	● MOTOR, BRUSH, MAIN	1				
39	1016267	PIN, PULLEY	1				
40	1016268	PIN, ROTATION	1				

● RECOMMENDED STOCK ITEMS



North American Commercial Limited Warranty

<u>Model</u>	<u>Rotationally-Molded Components</u>	<u>Parts</u>	<u>Battery</u>	<u>Labor</u>	<u>Travel</u>	<u>Hourmeter</u>
All non-rider machines except those listed below	10 years	3 years	12 months pro-rated	3 years	90 days (No travel on cord-electric, 3540, or V-WD-16B)	2500
T7, R14	10 years	3 years	12 months pro-rated	3 years	90 days	1500
7100	10 years	3 years	12 months pro-rated	2 years	6 months	2000
6100	10 years	2 years	12 months pro-rated	6 months	6 months	1000
3610, 3620, SW-24, SW-28, S8, Scout 24	10 years	1 year	12 months pro-rated	1 year	90 days	N/A
T1 Battery Micro Scrubber	10 years	3 years	AGM 6 months pro-rated ³ Lithium Ion 24 months pro-rated	3 years	90 days	2500
1000, 3220, EX-SPOT-2, V-HDU-14, V-WA-30 ² (material 1068029)	10 years	1 year	-	1 year	None	N/A
V5, 3200, 3400, 110, 250, 3090, 3110 ¹ , 3120 ¹ , Blower, SW-27P, V-BP-5, V-BP-6, V-BP-10, V-CAN-5, V-LWU- 3 ² , V-SMU-14 ² , V-DMU-14 ² , V-DMU-15 ² ,	1 year	1 year	-	1 year	None	N/A

¹ Three (3) year limited warranty on electric motors ² Two (2) year limited warranty on electric motors ³ Maximum 1 replacement under Warranty

NEW MACHINE WARRANTY

Tennant Company warrants to the original purchaser, for the above-stated periods (whichever occurs first), that machines will be free from defects in workmanship and material, provided that machines are installed, operated, and maintained in accordance with Tennant written manuals or other instructions.

This warranty does not apply to damage or failure caused by accident, freight damage, misuse, negligence, abuse, improper repair, or maintenance of the machines. Please refer to the Operator Manual for proper machine operation and maintenance instructions.

The warranty period begins on the installation date at the end-user site. A Machine Installation/Warranty Report form included with the Operator Manual must be completed and returned immediately at the time of purchase. If proof of purchase is unavailable, the warranty begins ninety (90) days after original sale to an Authorized Tennant dealer.

Demonstrator machines purchased from Tennant carry the same warranty as a new machine.

LABOR AND TRAVEL WARRANTY

Tennant will, at its option, provide labor and travel or pay for outside repair for the above-stated periods.

PARTS WARRANTY

Parts replaced or repaired under this warranty are guaranteed for the remainder of the warranty period. The parts warranty on batteries is pro-rated from the Tennant Company shipping date. Consumable parts, expected to wear from normal use, are not covered under the parts warranty. These consumable parts include, but are not limited to: belts, drive chains, brushes, pad drivers, filters, squeegees, tires [pro-rated for one (1) year on rider machines], skirts, hand grips, battery cables, power cords, cord restraints, external hoses, vacuum bags, fuses and carbon brushes. Battery chargers and accessories are warranted for one (1) year.

REPAIR PARTS WARRANTY

After the warranty period expires, repair parts supplied by Tennant are warranted against defects for the period of ninety (90) days, with the exception of batteries. Lithium-Ion and Lead acid batteries are pro-rated for twelve (12) months. All AGM and Gel batteries are pro-rated for ninety (90) days. The repair parts warranty only covers parts, not labor or travel (see service labor section for terms).

SERVICE LABOR WARRANTY

Labor and travel performed by a Tennant service representative are warranted for thirty (30) days from the date the repairs are completed. This policy does not cover work performed by any service company other than Tennant, and is restricted to the specific repair operation or component for which a claim is made.

DISCLAIMER

TENNANT COMPANY EXPRESSLY DISCLAIMS ANY AND ALL OTHER WARRANTIES EXPRESS OR IMPLIED, INCLUDING, BUT NOT LIMITED TO, ANY IMPLIED WARRANTY OF MERCHANTABILITY AND FITNESS FOR A PARTICULAR PURPOSE. TENNANT SHALL NOT BE LIABLE FOR INCIDENTAL OR CONSEQUENTIAL DAMAGES, WHETHER DIRECT OR INDIRECT, INCLUDING, BUT NOT LIMITED TO, BUYER'S LOSS OF MATERIAL OR PROFITS, INCREASED EXPENSE OF OPERATION, BODILY INJURY, LOSS OF USE OF PROPERTY OR DOWNTIME.

Tennant Company reserves the right to change its warranty policy without notice.