

# FACTORYCAT<sup>®</sup>

Industrial Cleaning Equipment

# PILOT-HID

## 26" - 28" Scrubbers



A COMPLETE FAMILY OF INDUSTRIAL CLEANING EQUIPMENT



# KEY FEATURES

# INDUSTRIES



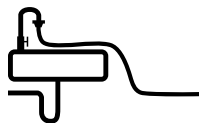
**Machine Control Panel** uses off-the-shelf toggle and marine duty switches and features universal icons which simplifies training.



**Vacuum Muffler** allows machine to consistently achieve as low as 67 dB while thoroughly drying the floor.



**Squeegee Adjustments made simple** with quick change squeegee latch allows toolless maintenance and 4-sided squeegee blade.



**Fill System** features a retractable hose for easy filling on standard sink-faucets and a stainless screen for bucket filling.



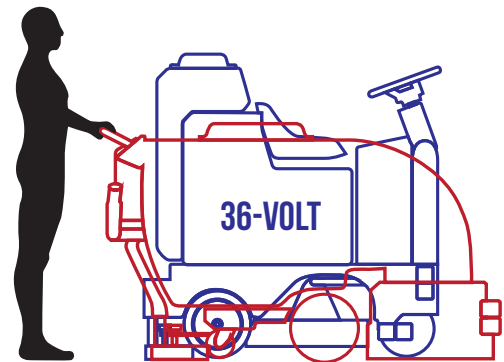
**Oversized Vacuum Screen Shut-Off** quickly arrests overflow issues to protect the Vacuum Motor.



**High Performance motors and down pressure** provides an unmatched standard of cleaning.



- Fabrication Shops
- Machine Shops
- Aviation
- Beverage Distribution
- Warehouses
- Automotive Shops
- Food Packaging
- Sports Arenas



**Smaller Footprint than a Walkbehind**



## TANK TIPS FOR ACCESS

- 1 Vacuum Screen Cleaning
- 2 Service Batteries
- 3 Solution Fill Screen
- 4 Inspect Vacuum Motor
- 5 Inline Solution Filter
- 6 Drain Saver

Reduce costly repairs associated with clogged floor drains with our Drain Saver Basket.



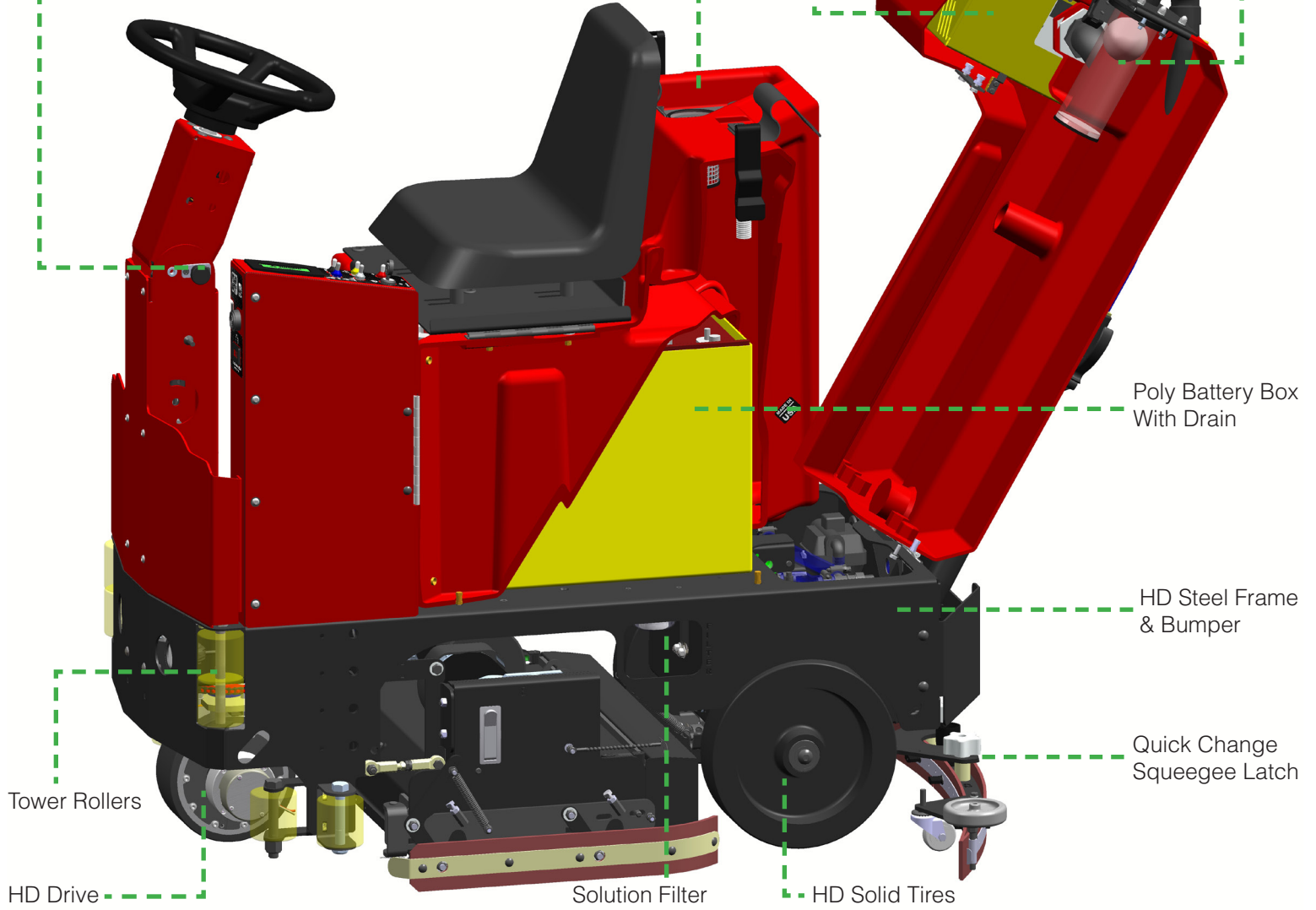
# VIEW INSIDE

Adjustable Steering

Drain Saver Basket

Oversized Vacuum Screen

Solution Fill Points



Poly Battery Box With Drain

HD Steel Frame & Bumper

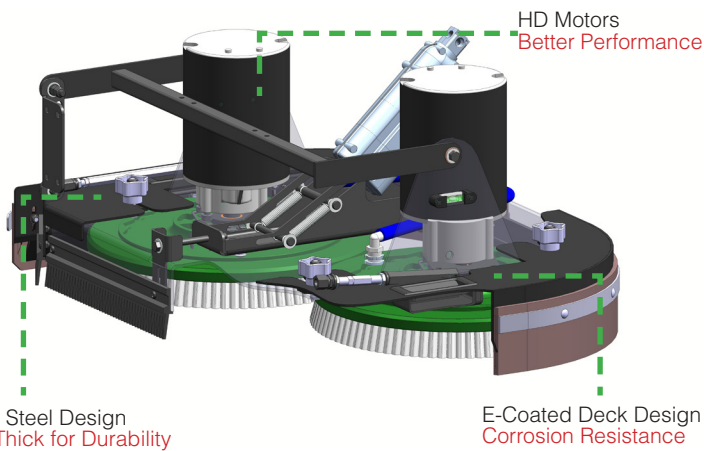
Quick Change Squeegee Latch

Tower Rollers

HD Drive

Solution Filter

HD Solid Tires



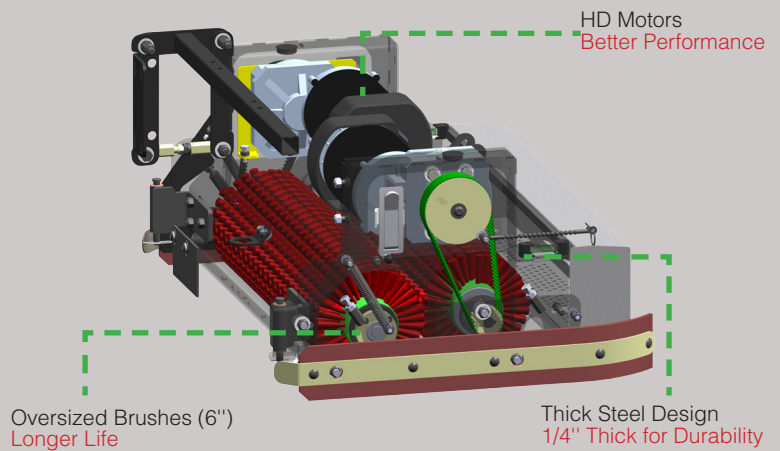
HD Motors  
Better Performance

Thick Steel Design  
1/4" Thick for Durability

E-Coated Deck Design  
Corrosion Resistance

## Disk Benefits

- Brush / Pad Selection
- Lowest Maintenance Cost
- Gimballed Drivers Improves Cleaning On Irregular Floors
- Brushes Individually Driven For Unmatched Performance



HD Motors  
Better Performance

Oversized Brushes (6")  
Longer Life

Thick Steel Design  
1/4" Thick for Durability

## Cylindrical Benefits

- Eliminates Dust Mopping
- Scrub & Sweep Simultaneously
- Superior Expansion Joint Cleaning

# CALL FOR A DEMONSTRATION



☎ **800-634-4060**  
 🌐 **(+001)-262-681-3583**  
 🌐 **www.factorycat.com**

Since 1986, our family owned company has been designing, building and supporting the best in floor maintenance equipment. Our **FACTORYCAT** brand services the world with unsurpassed industrial cleaning equipment, continually exceeding expectations and setting the industry bar that much higher.

We've built our reputation by providing the highest value machines and providing local support via 425 distributors in over 42 different countries.

## AUTHORIZED DISTRIBUTOR



### BODY CONSTRUCTION / DIMENSIONS

Tank Material:	Poly 3/8" (9.5 mm)
Chassis Construction:	1/8" Steel (3.2 mm) Powder Coated Steel
Front Wheel (Diameter x Width):	8" x 3" (20.3 x 7.6 cm) - Non-Marking Solid Grey
Rear Wheels (Diameter x Width):	(2x) 12" x 3" ((2x) 30.5 x 7.6 cm) - Solid Black
Size (L x W x H):	48" x 24" x 55" (121.9 x 61 x 139.7 cm)
Weight (w/o Batteries):	525 - 575 lbs (238 - 261 kg)
Weight (w/ 245 ah Batteries):	825 - 875 lbs (374 - 397 kg)

### BRUSH / PAD SYSTEM

Disk Dimensions:	26" - (2x) 13" Diameter (66 - [2x] 33 cm) 28" - (2x) 14" Diameter (71.1 - [2x] 35.6 cm)
Disk Motor:	(2x) 0.75 hp ((2x) 559 watts)
Disk Brush Speed:	300 rpm
Cylindrical Dimensions:	25" - (2x) 6" x 23" (63.5 - [2x] 15.2 x 58.4 cm) <small>6" Diameter Brush</small>
Cylindrical Motor:	(2x) 0.75 hp / 350 rpm ((2x) 559 watts)
Cylindrical Brush Speed:	750 rpm
Brush Pressure Settings:	(5) with Auto Adjust
Brush Down Pressure:	Up to 150 lbs (68 kg) / 500 lbs (227 kg) Actuator Rating

### POWER SYSTEM

System Voltage:	36 VDC
Standard Battery:	175 ah WET
Optional Battery:	225 ah WET / 215 ah AGM
Run Time:	Up to 4.0 Hours**
<small>**Run times are based on continuous scrubbing run times.</small>	
Charger:	120VAC / 60 Hz Input - 36VDC / 25 amp Output

### DRIVE SYSTEM:

Power:	0.75hp - All Gear / Sealed (559 watts)
Forward Speed:	0 - 290 ft/min / 0 - 3.3 mph (0 - 88 m/min / 0 - 5 km/h)
Scrubbing Speed:	0 - 229 ft/min / 0 - 2.6 mph (0 - 70 m/min / 0 - 4 km/h)
Reverse Speed:	0 - 202 ft/min / 0 - 2.3 mph (0 - 62 m/min / 0 - 4 km/h)

### SOLUTION / RECOVERY SYSTEMS:

Solution Tank Capacity:	22 Gallons (83.3 liters) - w/ Graduated Site Tube
Solution Flow / Filter:	0 - 0.7 GPM / Stainless Inline (0 - 2.6 LPM)
Recovery Tank Capacity:	23 Gallons (87.1 liters) - 2" diameter Drain Hose
Demisting Chamber:	1.25 Gallons (4.7 liters)
Drain Saver:	30 cubic inches (492 cubic cm)
Vacuum Power:	1.0 hp / 2 Stage (740 watts)
Vacuum Specs (Water Lift / Airflow):	68" / 72 cfm (173 cm / 2 cm/m)
Squeegee:	Curved w/ 4-sided Rear Blade & Quick Change Latch 26D, 25C - 36" (91.4 cm) 28D - 39" (99.1 cm)

### GENERAL:

Cleaning Width:	26" & 28" - Disk (66 & 71.1 cm) 25" - Cylindrical (63.5 cm)
Productivity - Theoretical:	Up to 40,000 sqft (3,716 sqm)***
<small>***Productivity is based off of ISSA 2010 Cleaning Times</small>	
Productivity - Practical:	Up to 18,519 sqft (1,721 sqm)***
<small>***Productivity is based off of ISSA 2010 Cleaning Times</small>	



**Manufactured By**  
 R.P.S. Corporation  
 1711 South Street  
 Racine, Wisconsin 53404 (USA)  
 Phone: (800) 634-4060  
 International: (+001) 262-681-3583  
[www.factorycat.com](http://www.factorycat.com)