

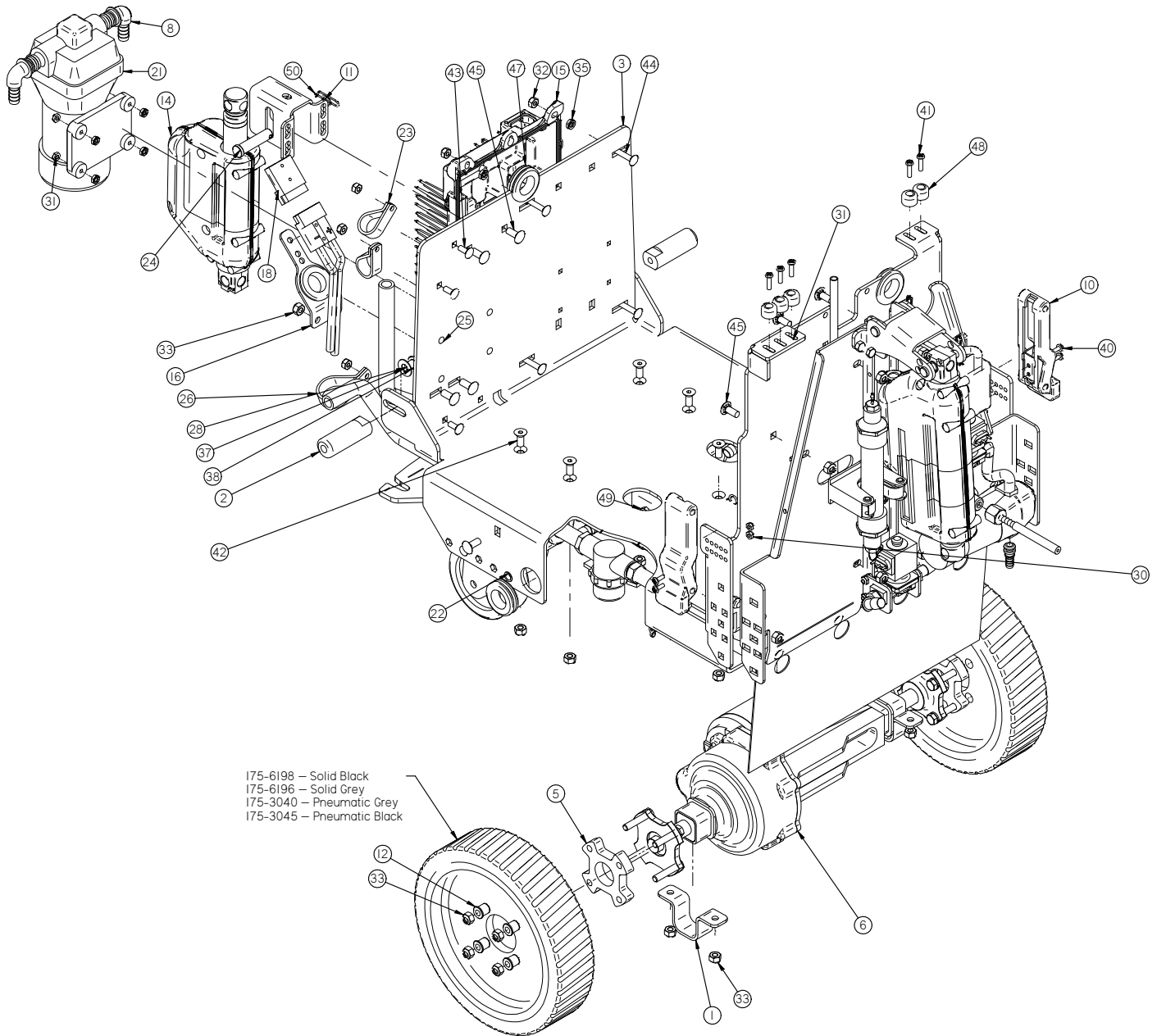
Read Operation Instructions
before using the machine.



Read the Safety Messages
before using the machine.

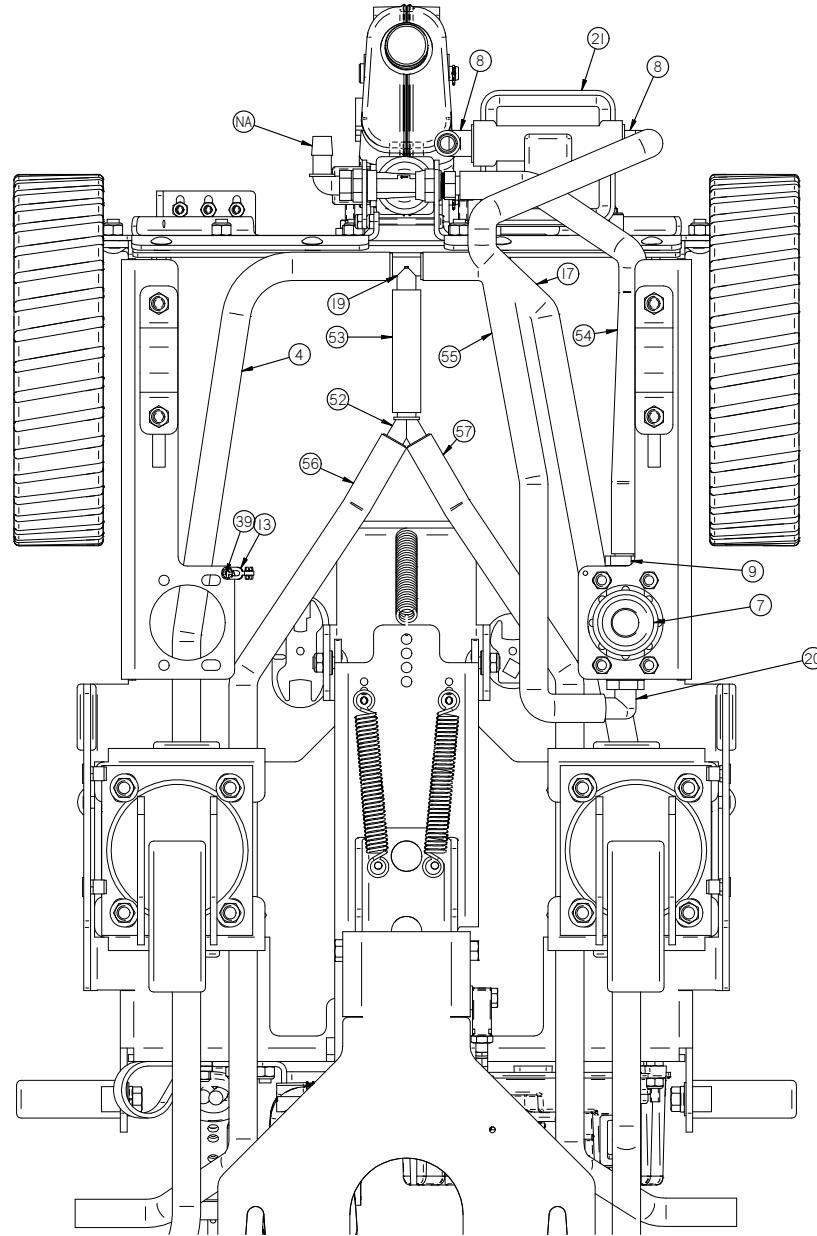


Frame Assembly	4
Frame Assembly - Bottom View	5
Actuator & Frame Support.....	6
Caster Foot Assembly	7
Squeegee Drag Link.....	8
Squeegees	9
26 Inch & 28 Inch Disk Decks for Jaws	10
26 Inch & 28 Inch Disk Decks for Shrouds.....	11
Jaws Assembly - Right Side	12
Jaws Assembly - Left Side.....	13
Disk Shrouds	14
25 Inch & 29 Inch Cylindrical Decks	15
Cylindrical Door Assembly	16
Standard XL Tank Assembly.....	17
Standard XL Tank - Drain Saver, Vac Box, Baffle Assembly	18
Standard XL Tank - Vacuum Bandeau Assembly	19
Standard XL Tank - Lid Assembly.....	20
Smaller Optional Tank Assembly	21
Smaller Optional - Drain Saver, Vac Box, Baffle Assembly	22
Smaller Optional - Vacuum Bandeau Assembly	23
Smaller Optional - Lid Assembly.....	24
Batteries & Chargers	25
Central Command Assembly	26
ZerO3 Onboard Option Assembly	27
ZerO3 Onboard Option Plumbing.....	28
Onboard Charger, Spray Jet, & Actuator Lift Option.....	29
Common Wear Parts	30
Common Wear Parts	31
Tank Stickers	32
Central Command Stickers.....	33

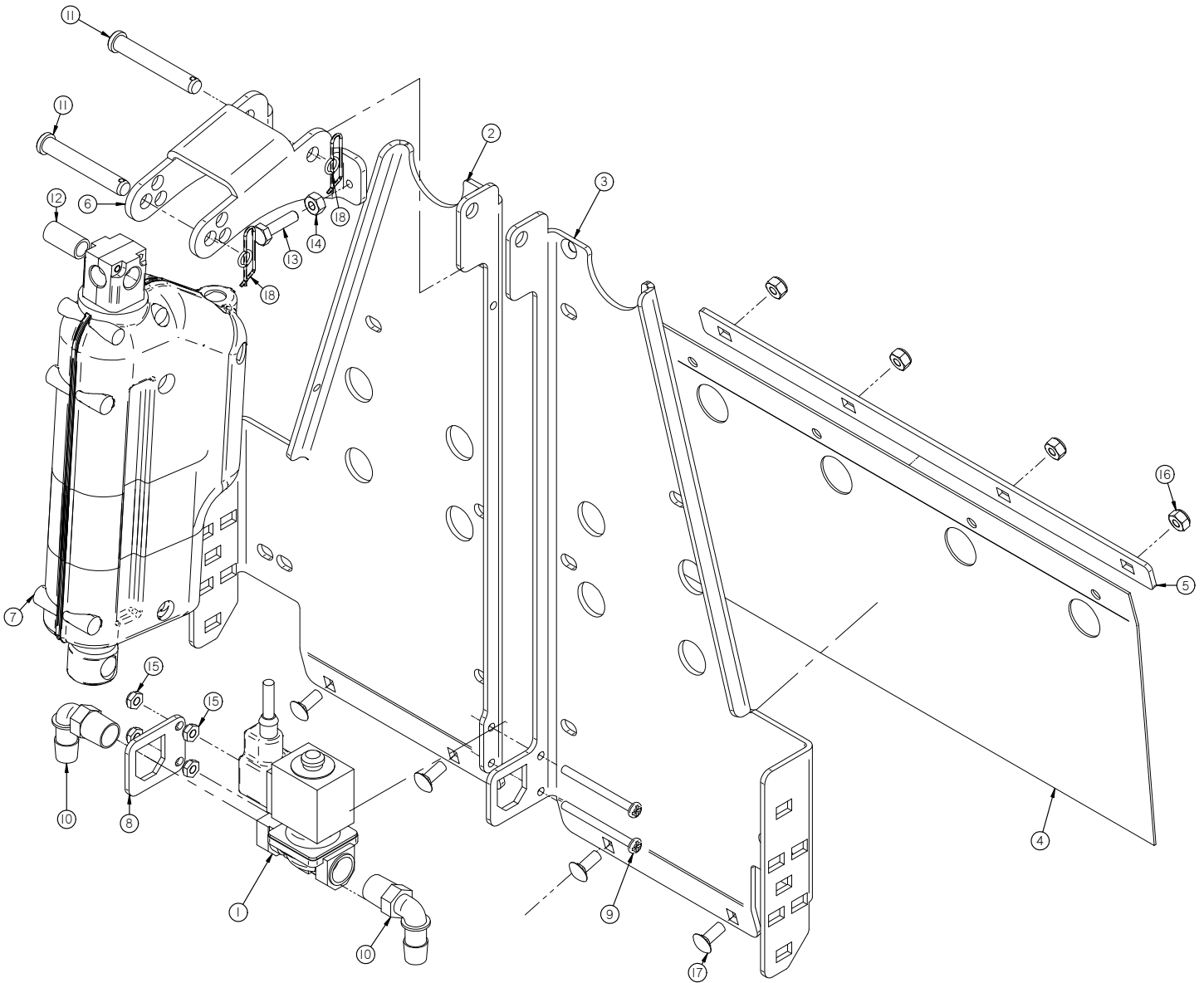


175-6198 - Solid Black
 175-6196 - Solid Grey
 175-3040 - Pneumatic Grey
 175-3045 - Pneumatic Black

Item	Part No.	Part Description	Qty.	Item	Part No.	Part Description	Qty.
1		FHSCS #6-32 X 4" S/S	2	30	H-70856	NYLOK #8-32 SS	4
2	175-0999	AXLE MOUNT	2	31	H-70858	NYLOK #10-32 SS	9
3	175-1060	2-3/4" BOSS	2	32	H-70860	NYLOK 1/4" - 20 SS	11
4	175-1100	MAINFRAME	1	33	H-70861	NYLOK 5/16" - 18 SS	35
5	175-1370	SIGHT TUBE	1	34	H-70921	KN #6-32	2
6	175-3001	PNUMATIC TIRE SPACER	2	35	H-70923	KN #10-32 SS	4
7	175-3009	TRANSAXLE 1941	1	36	H-70925	KN 1/4-20 S/S	4
8	175-9130	INLINE FILTER	1	37	H-71010	FW #10 ID X 11/16 OD SS	4
9	21-1601	1/2" BARBED ELBOW (PLASTIC)	2	38	H-71017	FW 3/8 ID X 7/8 OD SS	2
10	21-1606	1/2 MALE NPT X 1/2" BARB	3	39	H-71067	LW 3/8" SS	2
11	250-1240	LATCH	2	40	H-72388	PPH #6-32 X 3/4" SS	1
12	253-1099	AUTO SQUEEGEE LIFT BRACKET	1	41	H-72398	PPH #8-32 X 1/2" S/S	4
13	253-1245	BUSHING	8	42	H-72416	PPHMS #10-32 X 3/4" S/S	5
14	253-1618	GROUNDING CHAIN, 12"	1	43	H-73907	FHSCS 5/16" - 18 X 3/4" SS	5
15	253-2240	2" STROKE 24V ACTUATOR 450 LB LOAD	1	44	H-74418	CB 1/4" - 20 X 5/8" S/S	3
16	264-2440	ONBOARD CHARGER	1	45	H-74421	CB 1/4" - 20 X 1-1/4" SS	4
17	264-9516	CHARGER CONECTOR BRACKET	1	46	H-74429	CB 5/16" - 18 X 3/4" SS	20
18	4-259	CONNECTOR, RED 50, HOUSING ONLY	2	47	H-74430	CB 5/16" - 18 X 1" SS	4
19	5-446	1/2" PLASTIC BARB TEE	1	48	H-9307K74	GROMMET, 1" ID X 1-3/4" OD BUNA-N	5
20	5-447	1/2 NPT X 1/2" BARB ELBOW	2	49	H-9540	RUBBER BUMPER, 25/32"	5
21	5-891	PUMP, WATER JET	1	50	H-NJ05C	JNYL 5/16" - 18 SS	2
22	H-00918	HCN 1/4"-20 LG	4	51	H-RUE22	1/2" RUE RING COTTER	1
23	H-0127295	RUBBER LOOP CLAMP, 3/4"	2	52	M-2974K369	NYLON BARBED TUBE FITTING, 3/16 ID X 1/16" NPT	1
24	H-0156771	CLEVIS PIN, 1/2" OD X 2" LG	1	53	M-3043T13	1/4-20 X 1.0" U-BOLT	2
25	H-0172522	CB #10-32 X 1-1/4" SS	4	54	M-5463K727	WYE, 1/2", NYLON	2
26	H-3225T	RUBBER LOOP CLAMP, 1-1/2"	1				
27	H-33733	#6 STAR WASHER	2				
28	H-70105	HCS 3/8" - 16 X 1" SS	2				
29	H-70855	NYLOK #6-32 SS	2				



Item	Part No.	Part Description	Qty.	Item	Part No.	Part Description	Qty.
1	175-0999	AXLE MOUNT	2	30	H-70856	NYLOK #8-32 SS	4
2	175-1060	2-3/4" BOSS	2	31	H-70858	NYLOK #10-32 SS	9
3	175-1100	MAINFRAME	1	32	H-70860	NYLOK 1/4"- 20 SS	11
4	175-1370	SIGHT TUBE	1	33	H-70861	NYLOK 5/16"- 18 SS	35
5	175-3001	PNUMATIC TIRE SPACER	2	34	H-70923	KN #10-32 SS	4
6	175-3009	TRANSAXLE 19.4:1	1	35	H-70925	KN 1/4-20 S/S	4
7	175-9130	INLINE FILTER	1	36	H-71010	FW #10 ID X 11/16 OD SS	4
8	21-1601	1/2" BARBED ELBOW (PLASTIC)	2	37	H-71017	FW 3/8 ID X 7/8 OD SS	2
9	21-1606	1/2 MALE NPT X 1/2" BARB	3	38	H-71067	LW 3/8" SS	2
10	250-1240	LATCH	2	39	H-72388	PPH #6-32 X 3/4" SS	1
11	253-1099	AUTO SQUEEGEE LIFT BRACKET	1	40	H-72398	PPH #8-32 X 1/2" S/S	4
12	253-1245	BUSHING	8	41	H-72416	PPHMS #10-32 X 3/4" S/S	5
13	253-1618	GROUNDING CHAIN, 12"	1	42	H-73907	FHSCS 5/16"- 18 X 3/4" SS	5
14	253-2240	2" STROKE, 24V ACTUATOR 450 LB LOAD	1	43	H-74418	CB 1/4"- 20 X 5/8" S/S	3
15	264-2440	ONBOARD CHARGER	1	44	H-74421	CB 1/4"- 20 X 1-1/4" SS	4
16	264-9516	CHARGER CONECTOR BRACKET	1	45	H-74429	CB 5/16"- 18 X 3/4" SS	20
17	290-8960	SPRAY JET HOSE	1	46	H-74430	CB 5/16"- 18 X 1" SS	4
18	4-259	CONNECTOR, RED 50, HOUSING ONLY	2	47	H-9307K74	GROMMET, 1" ID X 1-3/4" OD BUNA-N	5
19	5-446	1/2" PLASTIC BARB TEE	1	48	H-9540	RUBBER BUMPER, 25/32"	5
20	5-447	1/2 NPT X 1/2" BARB ELBOW	2	49	H-NJ05C	JNYL 5/16"- 18 SS	2
21	5-891	PUMP, WATER JET	1	50	H-RUE22	1/2" RUE RING COTTER	1
22	H-00918	HCN 1/4"-20 LG	4	51	M-3043T13	1/4-20 X 1.0" U-BOLT	2
23	H-0127295	RUBBER LOOP CLAMP, 3/4"	2	52	M-5463K727	WYE, 1/2", NYLON	2
24	H-0156771	CLEVIS PIN, 1/2" OD X 2" LG	1	53	T-050R0250	1/2"ID X 27"LG SOLUTION HOSE	1
25	H-0172522	CB #10-32 X 1-1/4" SS	4	54	T-050R1450	1/2"ID X 27"LG SOLUTION HOSE	1
26	H-3225T	RUBBER LOOP CLAMP, 1-1/2"	1	55	T-050R1600	1/2"ID X 27"LG SOLUTION HOSE	1
27	H-33733	#6 STAR WASHER	2	56	T-050R2700	1/2"ID X 27"LG SOLUTION HOSE	1
28	H-70105	HCS 3/8"- 16 X 1" SS	2	57	T-050R2700	1/2"ID X 27"LG SOLUTION HOSE	1
29	H-70855	NYLOK #6-32 SS	2				

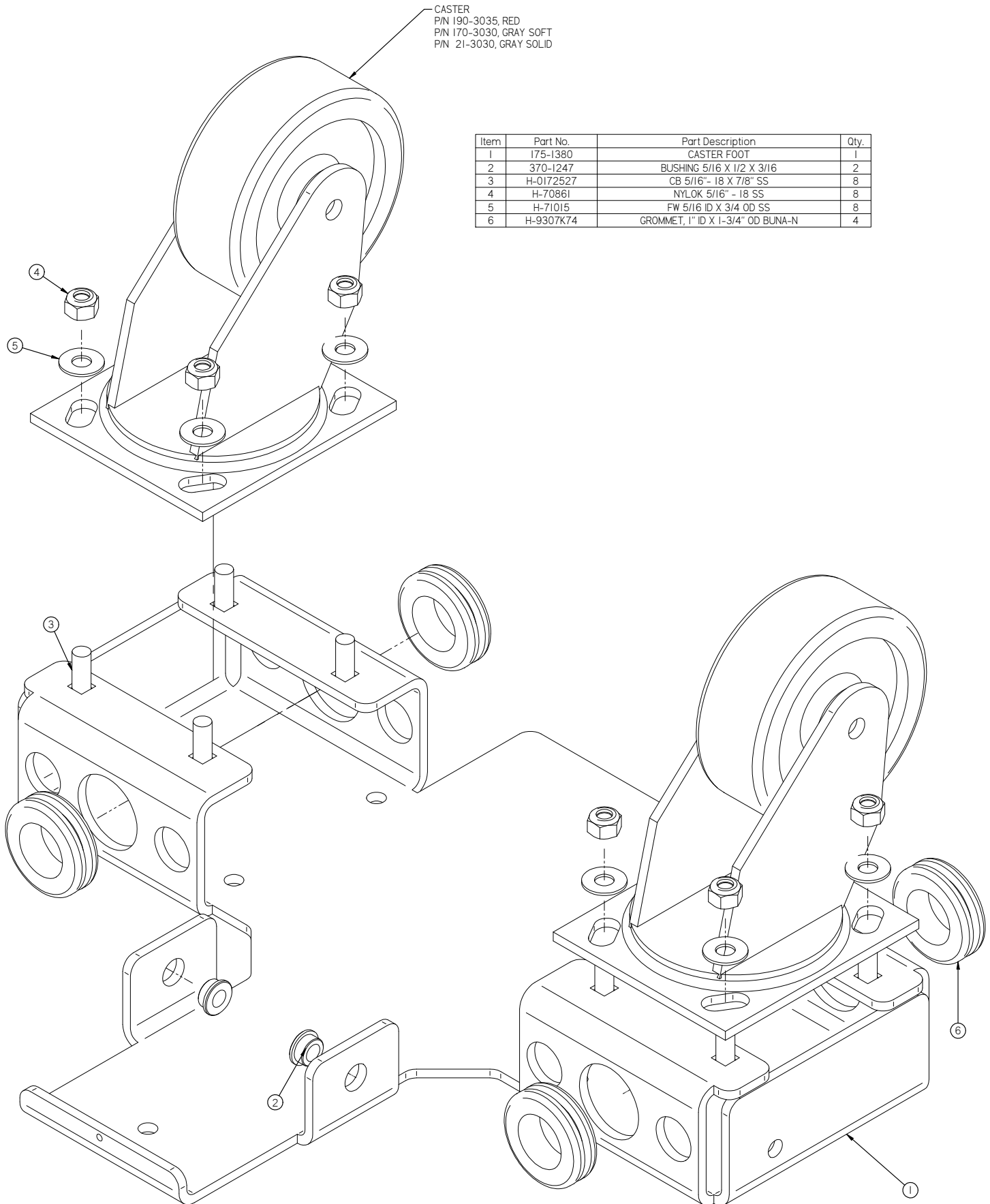


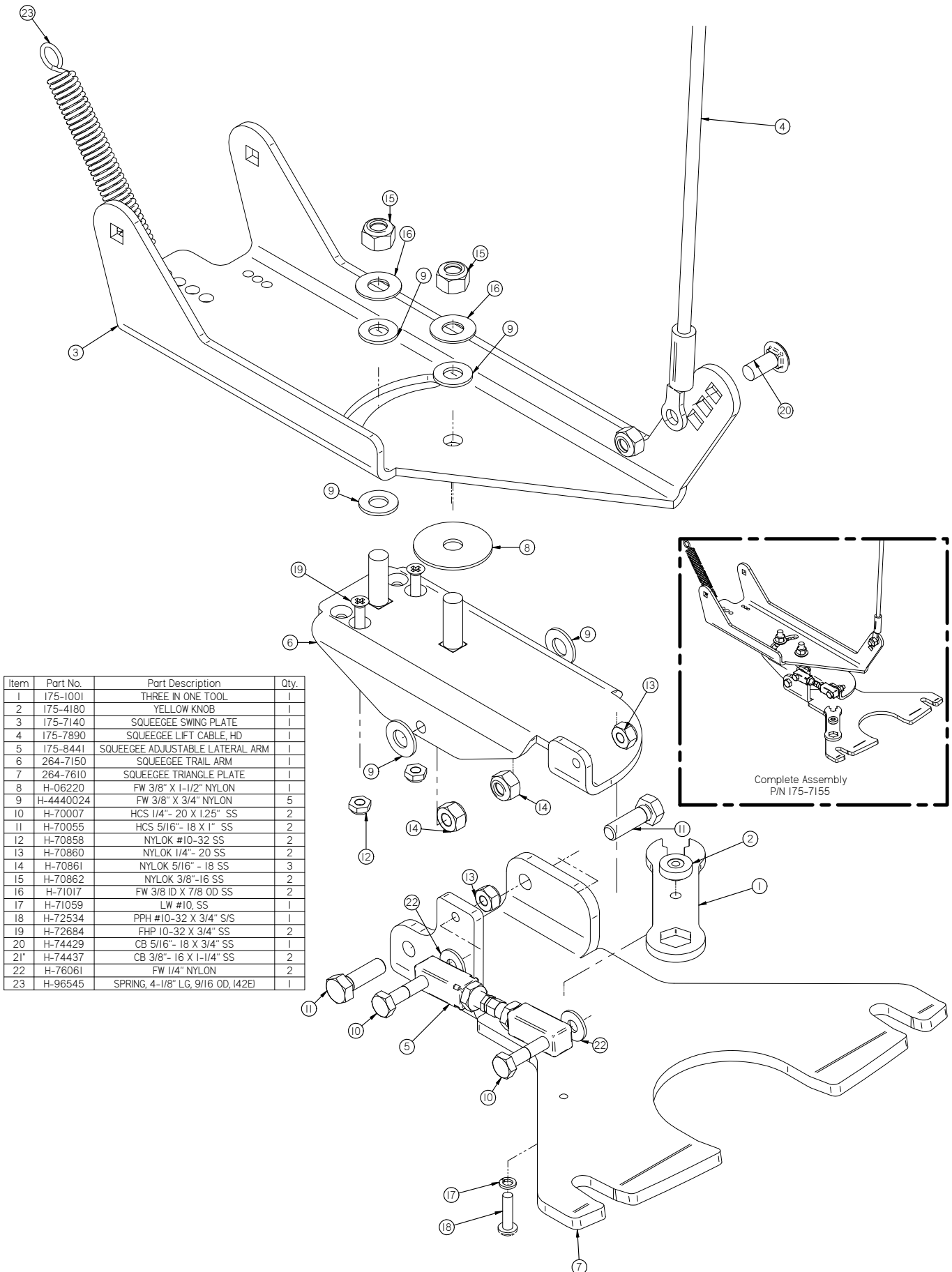
Item	Part No.	Part Description	Qty.
1	170-4500	VALVE	1
2	175-1011L	LEFT LIFT ARM SUPPORT BRACKET	1
3	175-1011R	RIGHT LIFT ARM SUPPORT BRACKET	1
4	175-1015	FRAME CURTAIN	1
5	175-1020	BAND, FRAME CURTAIN	1
6	264-1151	ACTUATOR ARM	1
7	264-2210	4" STROKE 24V ACTUATOR 1000 LB LOAD	1
8	264-5280	VALVE BRACKET	1
9	H-00249	PPH #10-32 X 2 1/4" SS	2
10	H-04763	ELBOW, 90 DEG X 3/8" MNPT X 1/2" BARB, NYLON	2
11	H-15675	CLEVIS PIN, 3/8" X 2-1/2"	2
12	H-63917	SLEEVE, .50 OD X .375 ID X 1.0 LG	1
13	H-70005	HCS 1/4"- 20 X 1" SS	2
14	H-70710	HN 1/4"- 20 SS	2
15	H-70858	NYLOK #10-32 SS	4
16	H-70860	NYLOK 1/4"- 20 SS	4
17	H-74418	CB 1/4"- 20 X 5/8" S/S	4
18	H-RUE14	3/8" RUE RING COTTER	2

Caster Foot Assembly

CASTER
 P/N 190-3035, RED
 P/N 170-3030, GRAY SOFT
 P/N 21-3030, GRAY SOLID

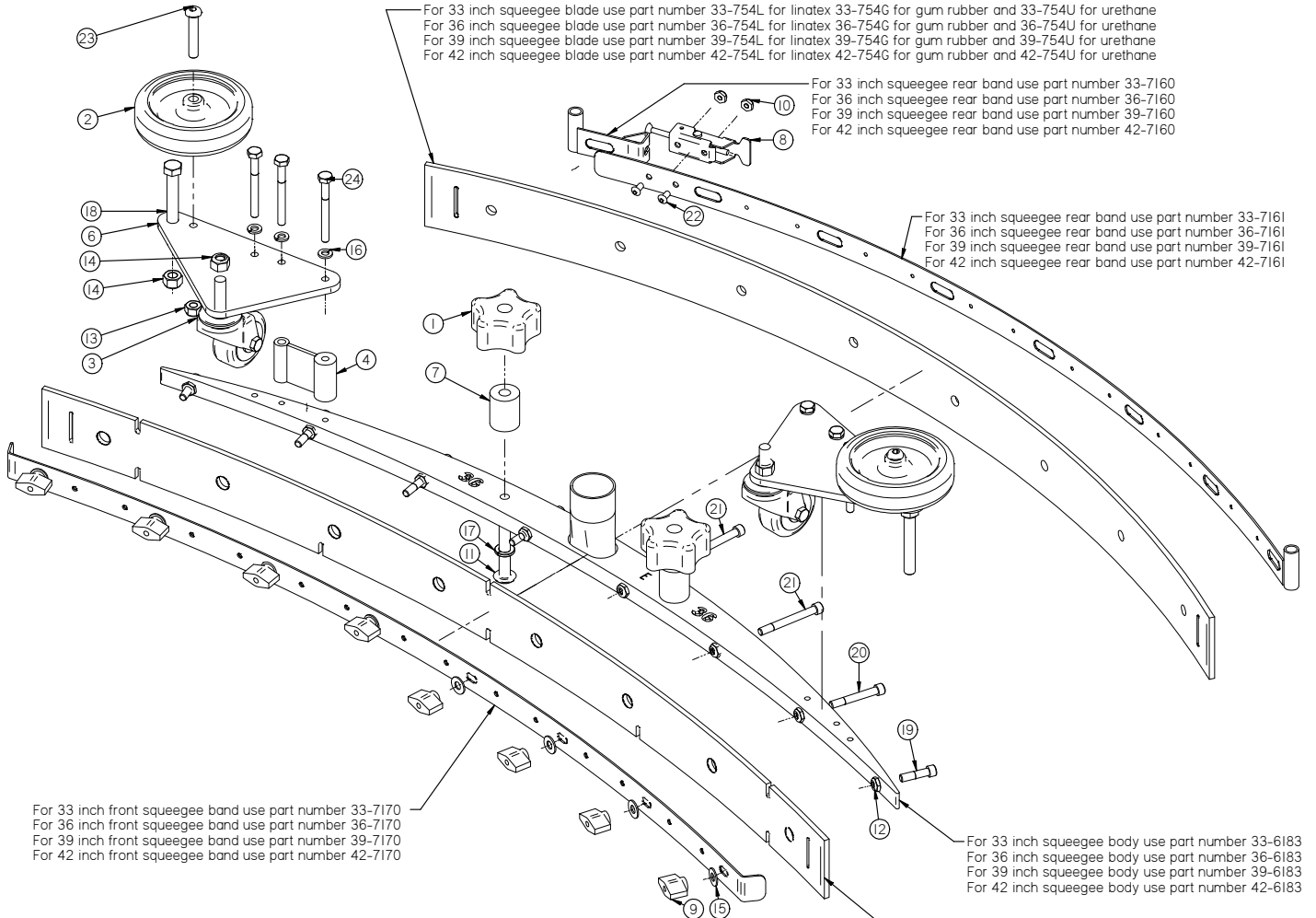
Item	Part No.	Part Description	Qty.
1	175-1380	CASTER FOOT	1
2	370-1247	BUSHING 5/16 X 1/2 X 3/16	2
3	H-0172527	CB 5/16" - 18 X 7/8" SS	8
4	H-70861	NYLOK 5/16" - 18 SS	8
5	H-71015	FW 5/16 ID X 3/4 OD SS	8
6	H-9307K74	GROMMET, 1" ID X 1-3/4" OD BUNA-N	4



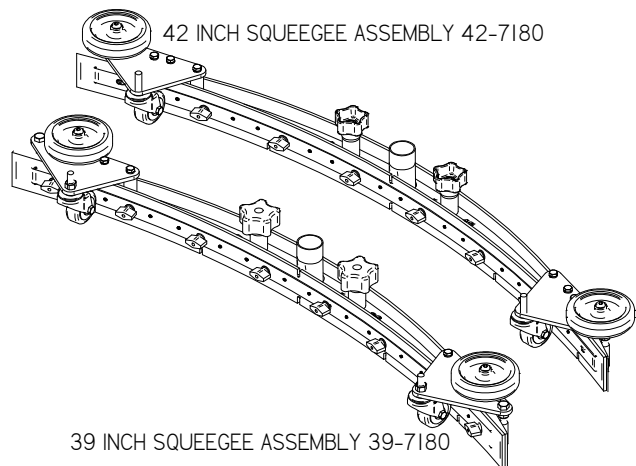
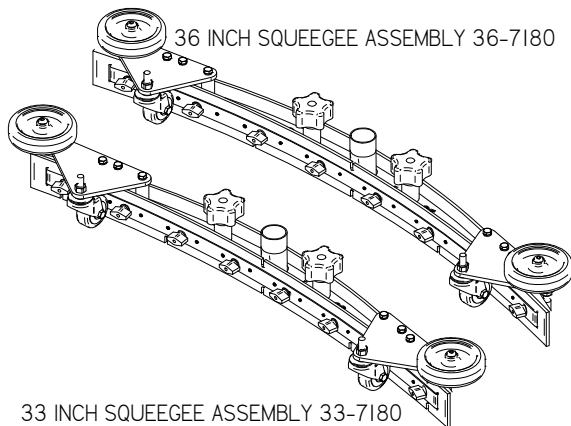


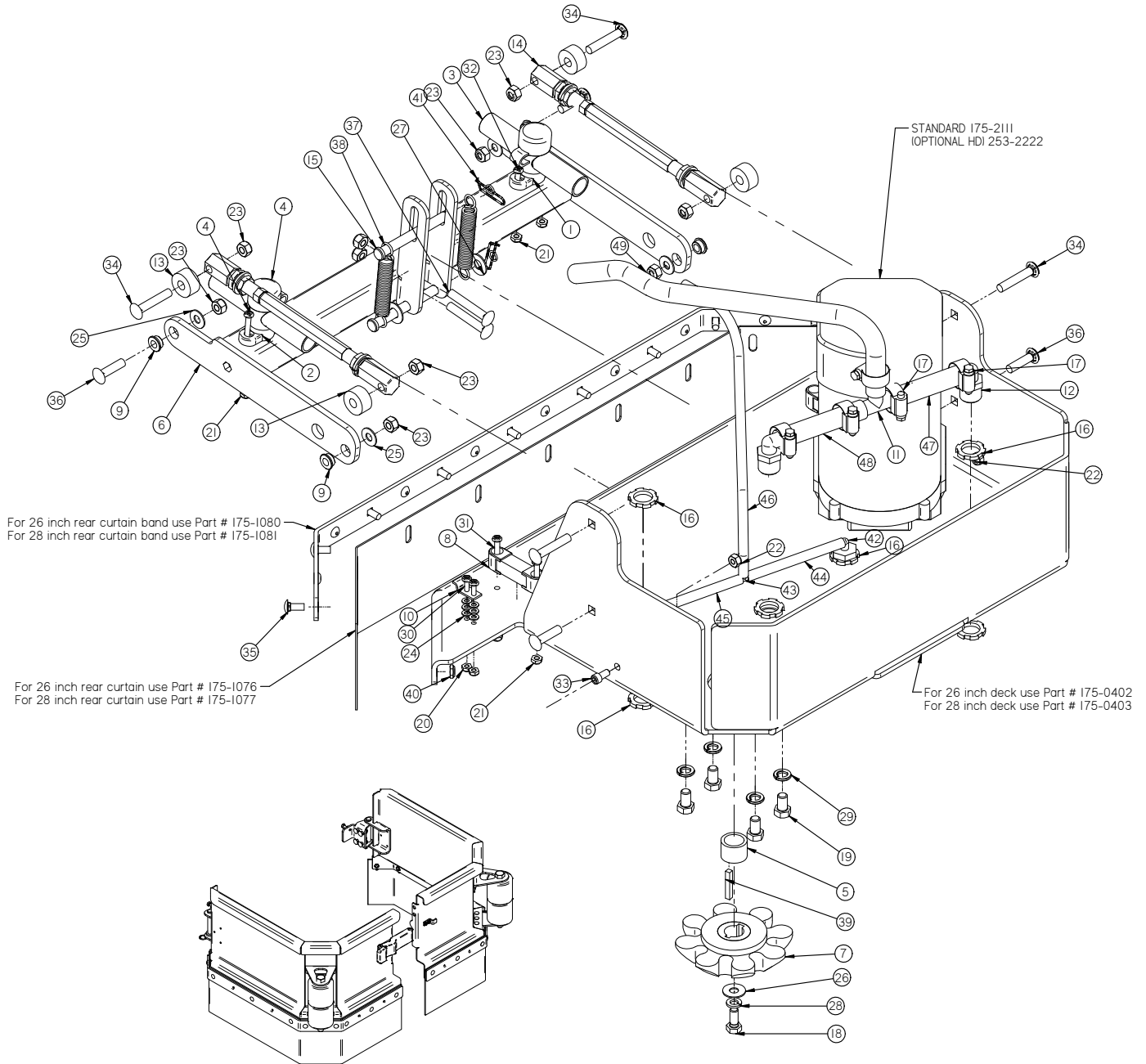
Item	Part No.	Part Description	Qty.
1	175-1001	THREE IN ONE TOOL	1
2	175-4180	YELLOW KNOB	1
3	175-7140	SQUEEGEE SWING PLATE	1
4	175-7890	SQUEEGEE LIFT CABLE, HD	1
5	175-8441	SQUEEGEE ADJUSTABLE LATERAL ARM	1
6	264-7150	SQUEEGEE TRAIL ARM	1
7	264-7610	SQUEEGEE TRIANGLE PLATE	1
8	H-06220	FW 3/8" X 1-1/2" NYLON	1
9	H-4440024	FW 3/8" X 3/4" NYLON	5
10	H-70007	HCS 1/4"- 20 X 1.25" SS	2
11	H-70055	HCS 5/16"- 18 X 1" SS	2
12	H-70858	NYLOK #10-32 SS	2
13	H-70860	NYLOK 1/4"- 20 SS	2
14	H-70861	NYLOK 5/16" - 18 SS	3
15	H-70862	NYLOK 3/8"-16 SS	2
16	H-71017	FW 3/8 ID X 7/8 OD SS	2
17	H-71059	LW #10, SS	1
18	H-72534	PPH #10-32 X 3/4" S/S	1
19	H-72684	FHP 10-32 X 3/4" SS	2
20	H-74429	CB 5/16"- 18 X 3/4" SS	1
21	H-74437	CB 3/8"- 16 X 1-1/4" SS	2
22	H-76061	FW 1/4" NYLON	2
23	H-96545	SPRING, 4-1/8" LG, 9/16 OD, 142EJ	1

Squeegees



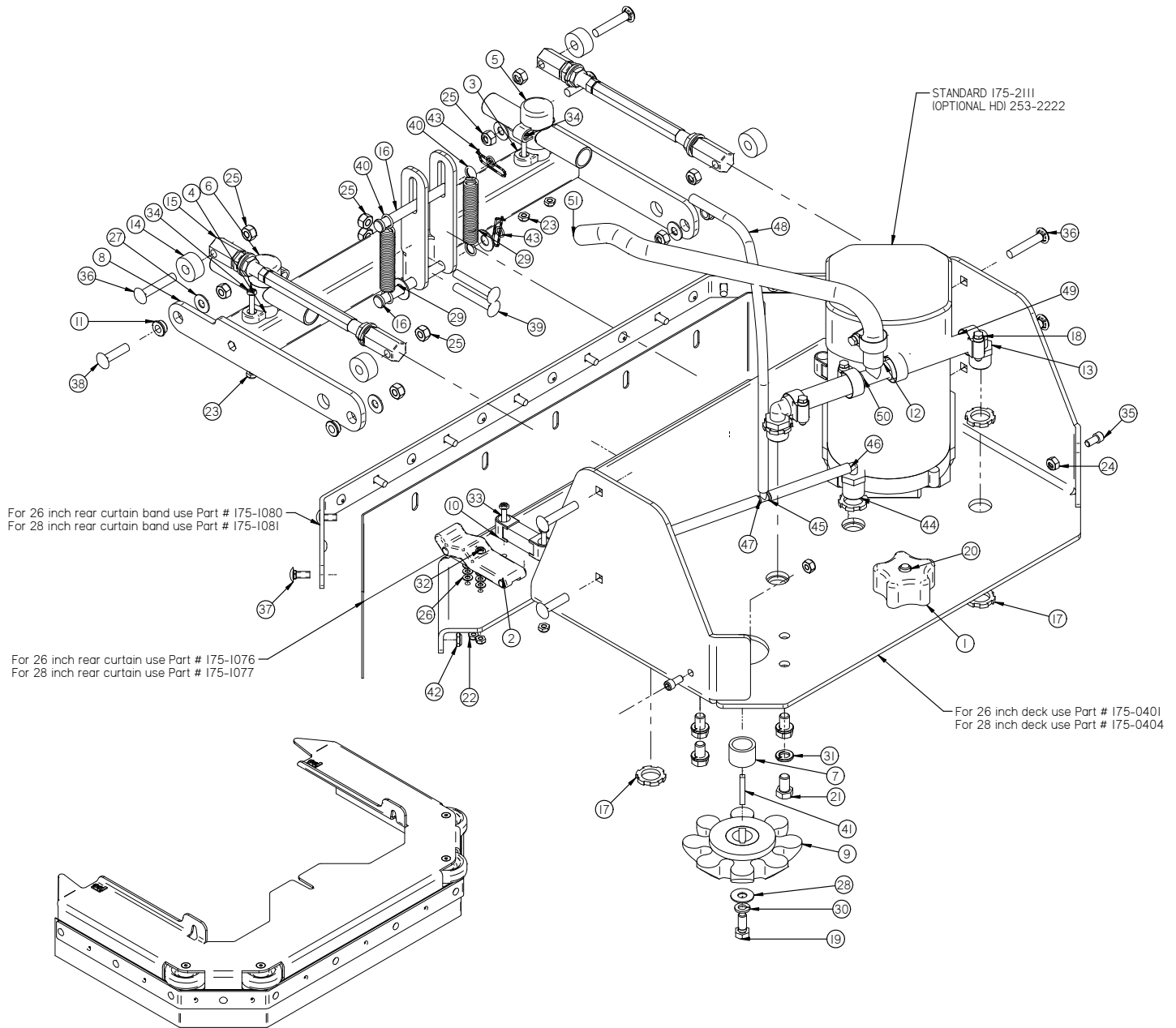
Item	Part No.	Part Description	Qty.	Item	Part No.	Part Description	Qty.
1	150-5786	STAR KNOB, 3/8-16 THREAD	2	13	H-70861	NYLOK 5/16" - 18 SS	2
2	150-7600	4" SIDE WHEEL (GREY)	2	14	H-70862	NYLOK 3/8"-16 SS	4
3	253-7570	CASTER	2	15	H-71013	FW 1/4 ID X 5/8 OD SS	8
4	36-0007	BAND BRACKET HOLDER	2	16	H-71063	LW 1/4" SS	6
5	36-2211	SPACER 1/2 OD X 5/32" LG X.25 ID	6	17	H-71067	LW 3/8" SS	2
6	36-7183	SQUEEGE CASTER BRACKET	2	18	H-71191	HCS 3/8"- 16 X 3" SS	2
7	36-8460	STANDOFF, 1.5"	2	19	H-73462	SHCS 1/4-20 X 1.0 SS	2
8	370-0124	LATCH	1	20	H-73465	SHCS 1/4-20 X 1.75 SS	2
9	5-418A	CLAMPING KNOB	8	21	H-73467	SHCS 1/4-20 X 2.25 SS	4
10	H-0129155	JNYL #10-32, 18-8 S/S	2	22	H-73742	BHSCS 10-32 X 3/8" SS	2
11	H-0171299	BHSCS 3/8"- 16 X 3" SS	2	23	H-73783	BHSCS 5/16-18 X 1.75	2
12	H-37020	JNYL 1/4" - 20	8	24	H-77013	HCS 1/4"- 20 X 2.5" SS	6



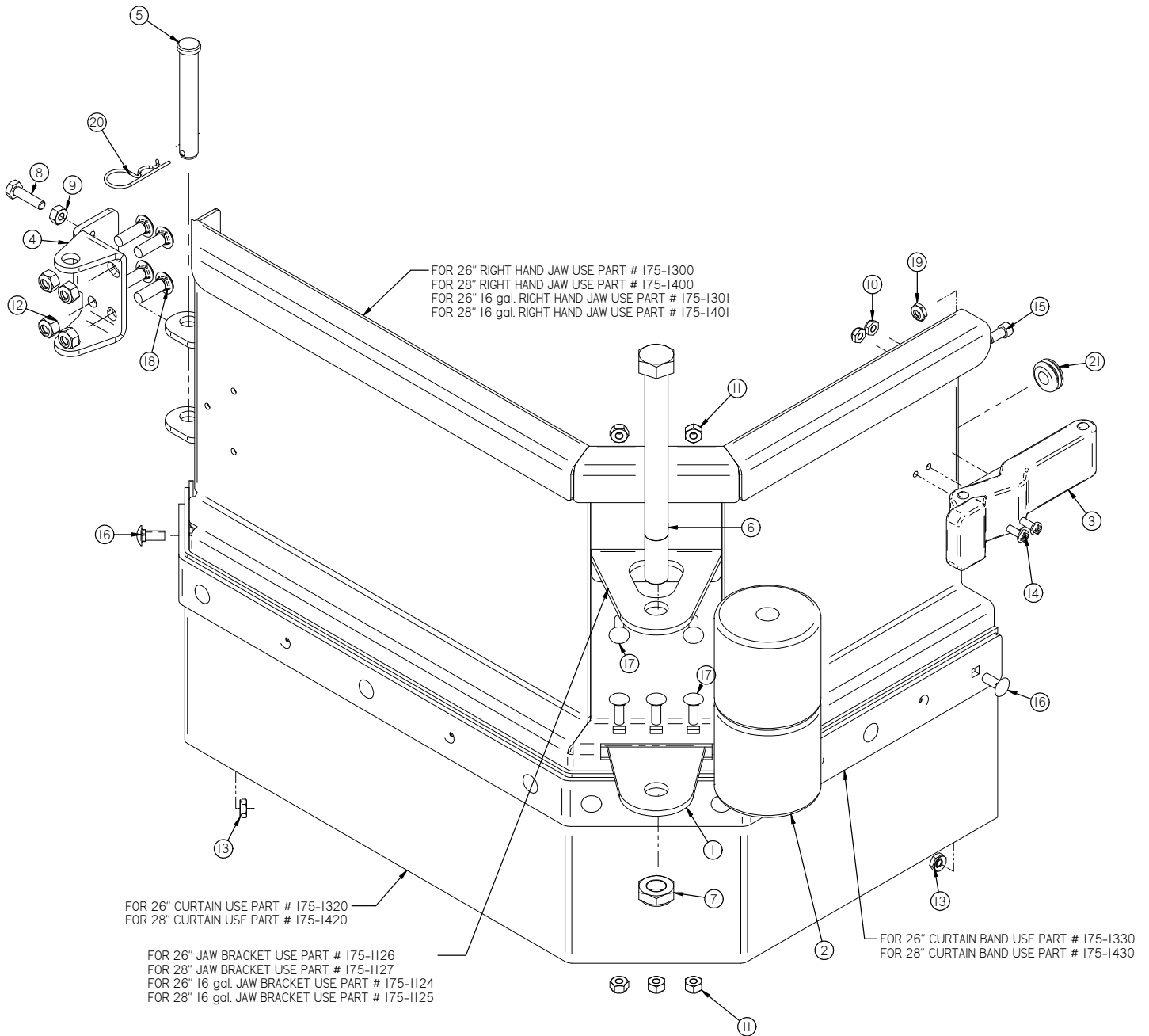


Item	Part No.	Part Description	Qty.	Item	Part No.	Part Description	Qty.
1	175-2700	NEG INSULATOR POST (BLACK)	1	25	H-71015	FW 5/16 ID X 3/4 OD SS	4
2	175-2710	POS INSULATOR POST (RED)	1	26	H-71016	FW 5/16 ID X 7/8 OD SS	2
3	175-2780	BLACK INSULATOR BOOT	1	27	H-71017	FW 3/8 ID X 7/8 OD SS	2
4	175-2790	RED INSULATOR BOOT	1	28	H-71065	LW 5/16" SS	2
5	175-5005	DRIVER SPACER	2	29	H-71067	LW 3/8" SS	8
6	175-9586	SCRUBDECK LIFT ARM, DISK/EDGE	1	30	H-72399	PPH #8-32 X 5/8" S/S	4
7	264-5003	BRUSH DRIVER ROUNDED TOOTH	2	31	H-72534	PPH #10-32 X 3/4" S/S	4
8	300-4030	LEVEL	2	32	H-72556	PPH #10-32 X 2" SS	4
9	370-1247	BUSHING 5/16 X 1/2 X 3/16	4	33	H-73459	SHCS 1/4-20 X 1/2 SS	2
10	4-124	CLIP LATCH	2	34	H-74401	CB 5/16"- 18 X 1-3/4" SS	4
11	5-446	1/2" PLASTIC BARB TEE	1	35	H-74418	CB 1/4"- 20 X 5/8" S/S	9
12	5-447	1/2 NPT X 1/2" BARB ELBOW	2	36	H-74431	CB 5/16"- 18 X 1-1/4" SS	4
13	8-618	SPACER	4	37	H-74433	CB 5/16"- 18 X 2" SS	2
14	9-25	9.25" ADJUSTABLE LATERAL ARM	2	38	H-96544	SPRING, 4-1/8" LG X 9/16" OD (42E)	2
15	H-0156758	3/8" X 3-1/2" CLEVIS PIN	2	39	H-K14320	3/16" X 1 1/4" KEY	2
16	H-07005	1/2" NPT LOCKNUT	8	40	H-NJ04C	JNYL 1/4" - 20 SS	9
17	H-081	CLAMP 1.0"- 1-1/8" SS	5	41	H-RUE14	3/8" RUE RING COTTER	2
18	H-70053	HCS 5/16"- 18 X 3/4" SS	2	42	M-5463K494	1/2 NPT X 1/4" BARB ELBOW	2
19	H-70140	HCS 3/8"-24 X 5/8" SS	8	43	M-5463K606	1/4" X 1/4" PLASTIC BARBED TEE	1
20	H-70856	NYLOK #8-32 SS	4	44	T-025B0425	ZERO HOSE	1
21	H-70858	NYLOK #10-32 SS	8	45	T-025B0425	ZERO HOSE	1
22	H-70860	NYLOK 1/4"- 20 SS	2	46	T-025B1325	ZERO HOSE	1
23	H-70861	NYLOK 5/16"- 18 SS	10	47	T-050R0425	SOLUTION HOSE	1
24	H-71007	FW #8 SS	12	48	T-050R0425	SOLUTION HOSE	1
				49	T-050R1325	SOLUTION HOSE	1

26 Inch & 28 Inch Disk Decks for Shrouds

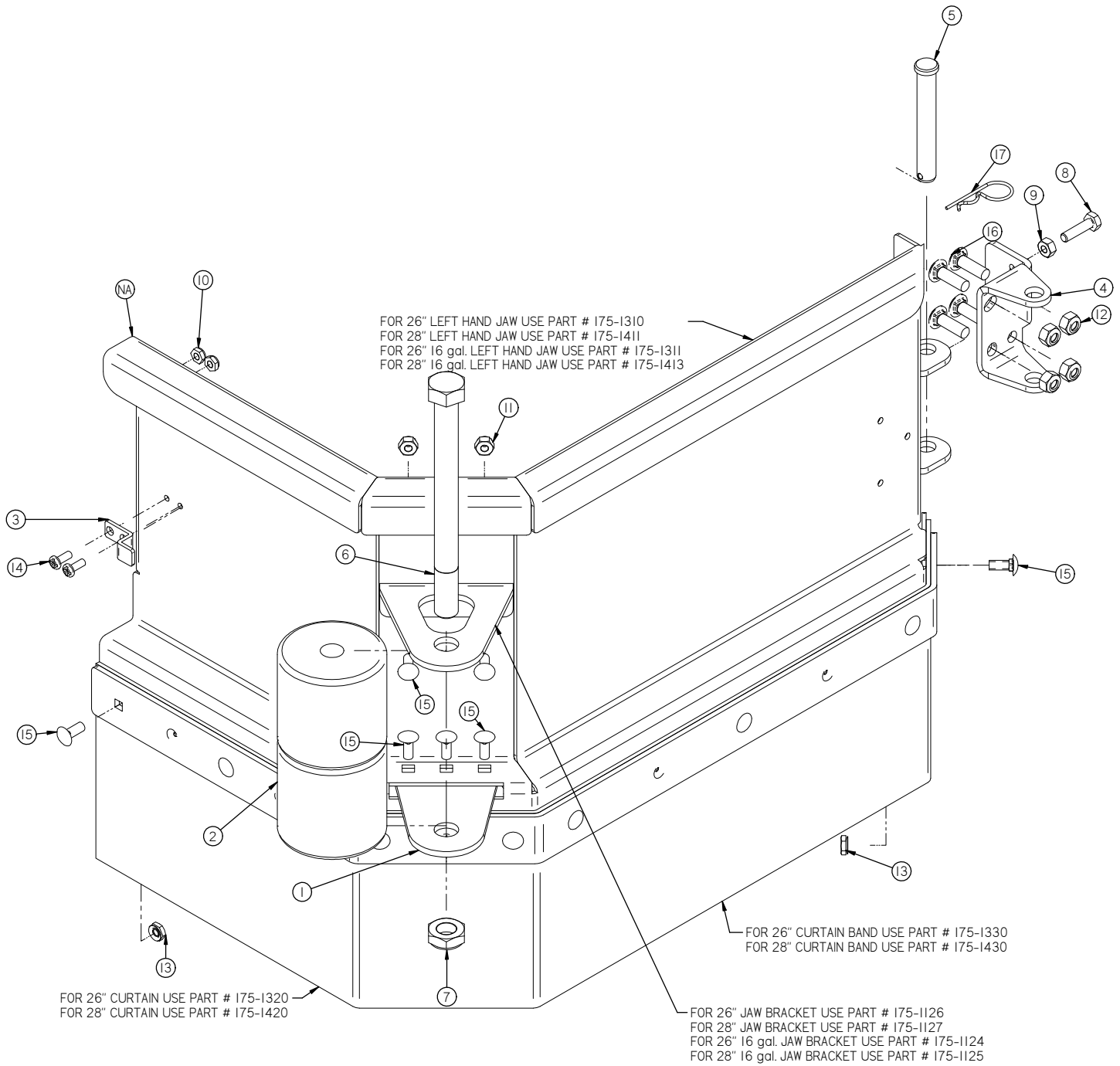


Item	Part No.	Part Description	Qty.	Item	Part No.	Part Description	Qty.
1	150-5786	STAR KNOB, 3/8-16 THREAD	1	26	H-71007	FW #8 SS	12
2	170-1240	LATCH	2	27	H-71015	FW 5/16 ID X 3/4 OD SS	4
3	175-2700	NEG INSULATOR POST (BLACK)	1	28	H-71016	FW 5/16 ID X 7/8 OD SS	2
4	175-2710	POS INSULATOR POST (RED)	1	29	H-71017	FW 3/8 ID X 7/8 OD SS	2
5	175-2780	BLACK INSULATOR BOOT	1	30	H-71065	LW 5/16" SS	2
6	175-2790	RED INSULATOR BOOT	1	31	H-71067	LW 3/8" SS	9
7	175-5005	DRIVER SPACER	2	32	H-72399	PPH #8-32 X 5/8" S/S	4
8	175-9586	SCRUBDECK LIFT ARM, DISK/EDGE	1	33	H-72534	PPH #10-32 X 3/4" S/S	4
9	264-5003	BRUSH DRIVER ROUNDED TOOTH	2	34	H-72556	PPH #10-32 X 2" SS	4
10	300-4030	LEVEL	2	35	H-73459	SHCS 1/4-20 X 1/2 SS	2
11	370-1247	BUSHING 5/16 X 1/2 X 3/16	4	36	H-74401	CB 5/16"- 18 X 1-3/4" SS	4
12	5-446	1/2" PLASTIC BARB TEE	1	37	H-74418	CB 1/4"- 20 X 5/8" S/S	9
13	5-447	1/2 NPT X 1/2" BARB ELBOW	2	38	H-74431	CB 5/16"- 18 X 1-1/4" SS	4
14	8-618	SPACER	4	39	H-74433	CB 5/16"- 18 X 2" SS	2
15	9-25	9.25" ADJUSTABLE LATERAL ARM	2	40	H-96544	SPRING, 4-1/8" LG X 9/16" OD (42E)	2
16	H-0156758	3/8" X 3-1/2" CLEVIS PIN	2	41	H-K14320	3/16" X 1 1/4" KEY	2
17	H-07005	1/2" NPT LOCKNUT	8	42	H-NJ04C	JNYL 1/4" - 20 SS	9
18	H-081	CLAMP 1.0"- 1-1/8" SS	5	43	H-RUE14	3/8" RUE RING COTTER	2
19	H-70053	HCS 5/16"- 18 X 3/4" SS	2	44	M-5463K494	1/2 NPT X 1/4" BARB ELBOW	2
20	H-70111	HCS 3/8"- 16 X 2" SS	1	45	M-5463K606	1/4" X 1/4" PLASTIC BARBED TEE	1
21	H-70140	HCS 3/8"-24 X 5/8" SS	8	46	T-025B0425	ZERO HOSE	1
22	H-70856	NYLOK #8-32 SS	4	47	T-025B0425	ZERO HOSE	1
23	H-70858	NYLOK #10-32 SS	8	48	T-025B1700	ZERO HOSE	1
24	H-70860	NYLOK 1/4"- 20 SS	2	49	T-050R0425	SOLUTION HOSE	1
25	H-70861	NYLOK 5/16"- 18 SS	10	50	T-050R0425	SOLUTION HOSE	1
				51	T-050R1325	SOLUTION HOSE	1



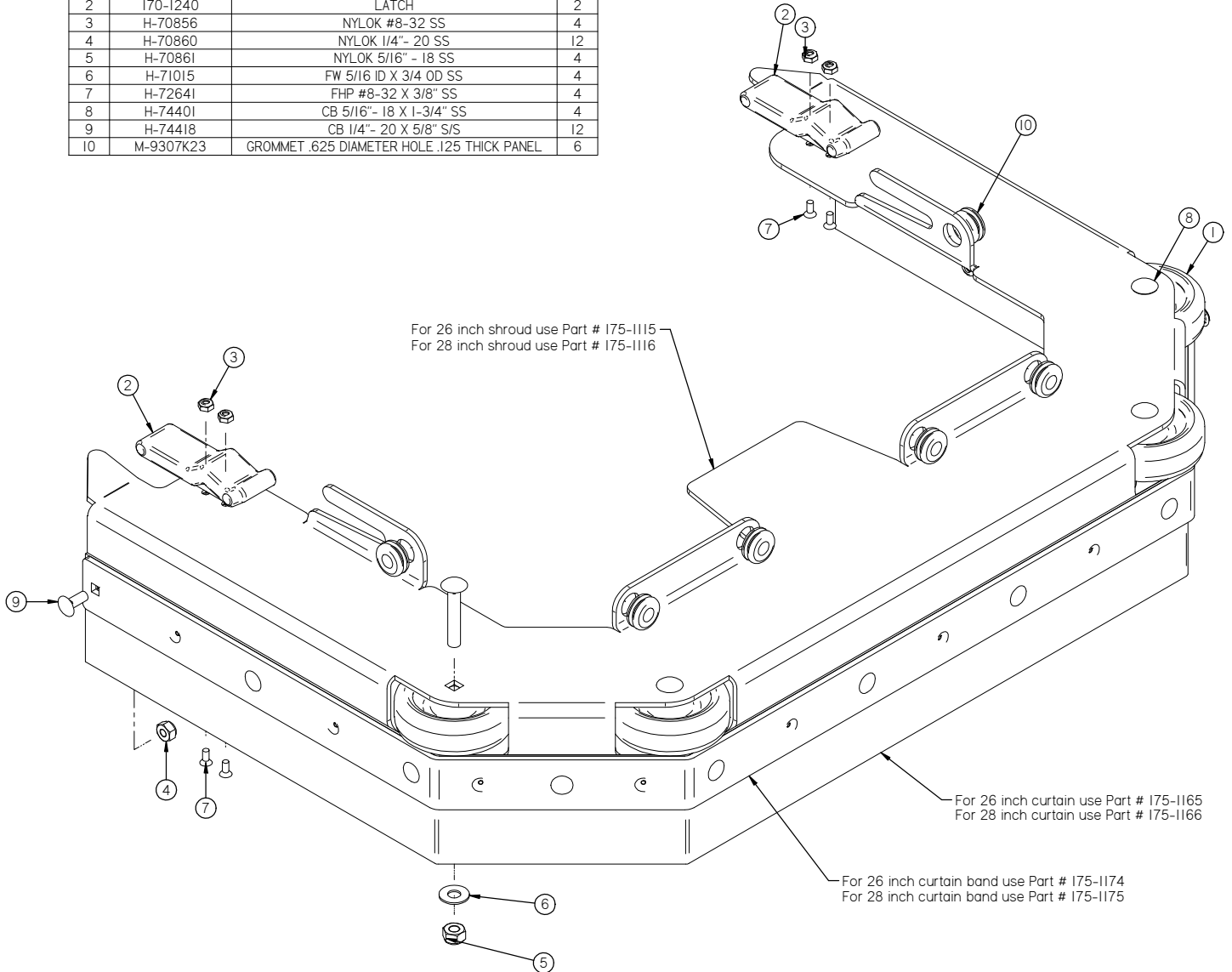
Item	Part No.	Part Description	Qty.
1	175-1128	ROLLER BRACKET	1
2	21-1127	ROLLER	2
3	250-1240	LATCH	1
4	264-1160R	RH JAW HINGE, INNER	1
5	H-0156776	1/2" X 3.5" CLEVIS PIN	1
6	H-13327	HB 5/8"- 11 X 7"	1
7	H-37038	JNYL 5/8"- 11	1
8	H-70005	HCS 1/4"- 20 X 1" SS	1
9	H-70710	HN 1/4"- 20 SS	1
10	H-70858	NYLOK #10-32 SS	2
11	H-70860	NYLOK 1/4"- 20 SS	5
12	H-70861	NYLOK 5/16"- 18 SS	4
13	H-70925	KN 1/4-20 S/S	9
14	H-72515	PPH #10-32 X 1/2" S/S	2
15	H-73459	SHCS 1/4-20 X 1/2 SS	1
16	H-74418	CB 1/4"- 20 X 5/8" S/S	9
17	H-74419	CB 1/4"- 20 X .75" SS	5
18	H-74430	CB 5/16"- 18 X 1" SS	4
19	H-NJ04C	JNYL 1/4"- 20 SS	1
20	M-92391A044	HAIRPIN, 5/16" - 3/8" X 1-7/16" S/S	1
21	M-9307K23	GROMMET .625 DIAMETER HOLE .125 THICK PANEL	1

Jaws Assembly - Left Side

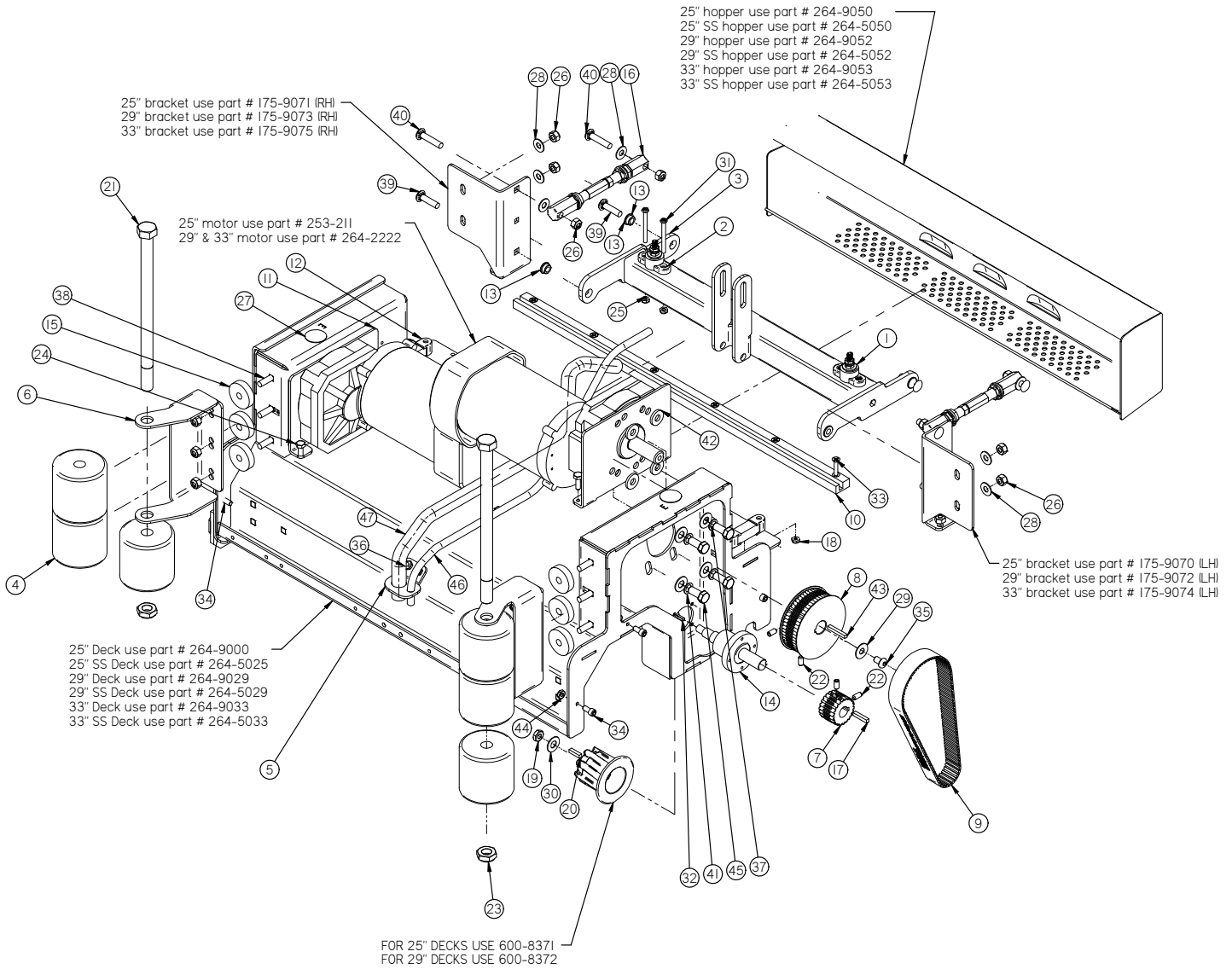


Item	Part No.	Part Description	Qty.
1	175-1128	ROLLER BRACKET	1
2	21-1127	ROLLER	2
3	250-1240	CLIP	1
4	264-1160L	LH JAW HINGE, INNER	1
5	H-0156776	1/2" X 3.5" CLEVIS PIN	1
6	H-13327	HB 5/8"- 11 X 7"	1
7	H-37038	JNYL 5/8"- 11	1
8	H-70005	HCS 1/4"- 20 X 1" SS	1
9	H-70710	HN 1/4"- 20 SS	1
10	H-70858	NYLOK #10-32 SS	2
11	H-70860	NYLOK 1/4"- 20 SS	5
12	H-70861	NYLOK 5/16" - 18 SS	4
13	H-70925	KN 1/4"-20 S/S	9
14	H-72515	PPH #10-32 X 1/2" S/S	2
15	H-74418	CB 1/4"- 20 X 5/8" S/S	14
16	H-74430	CB 5/16"- 18 X 1" SS	4
17	M-92391A044	HAIRPIN, 5/16" - 3/8" X 1-7/16" S/S	1

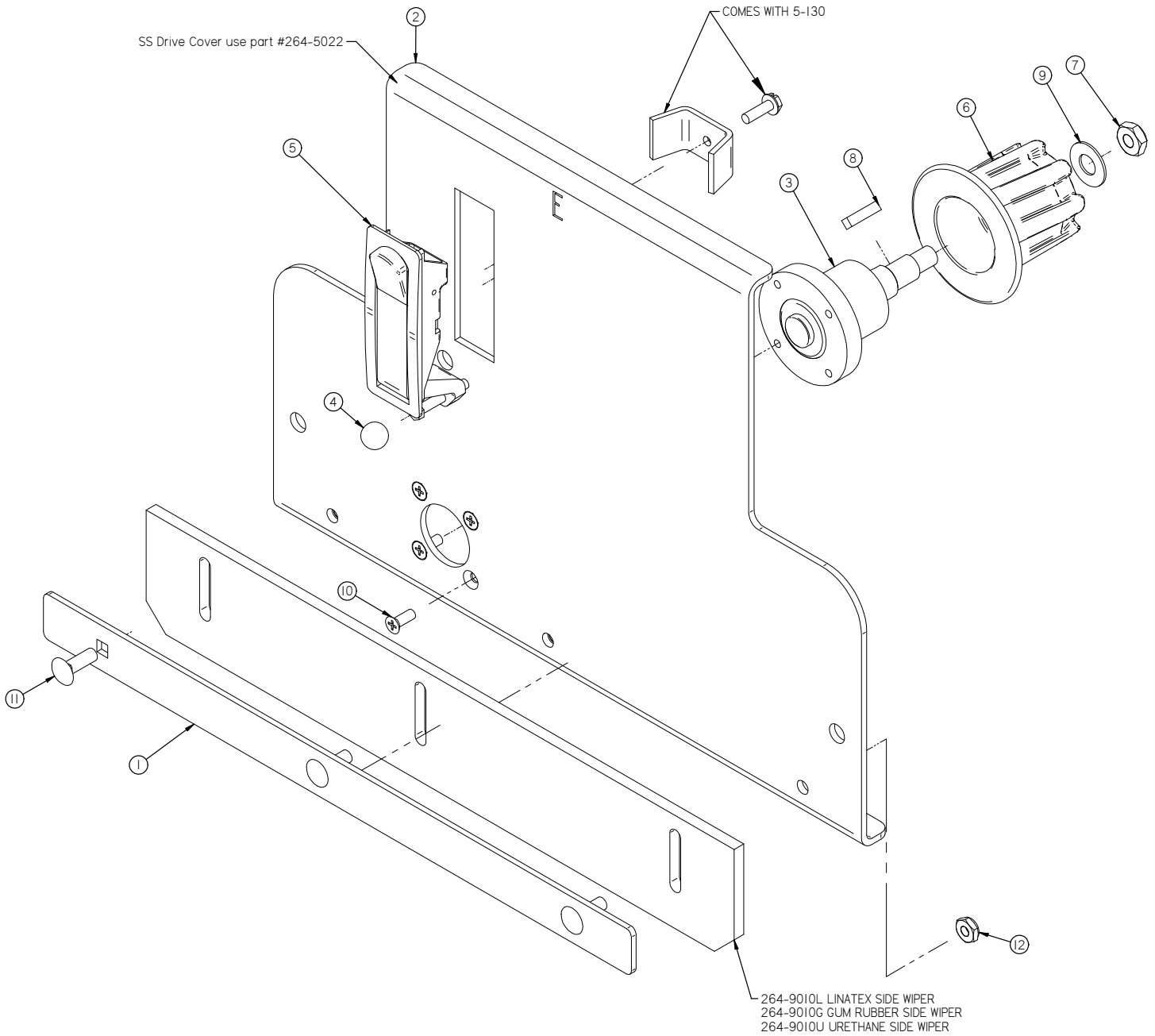
Item	Part No.	Part Description	Qty.
1	150-7601	3" SIDE WHEEL (GREY)	4
2	170-1240	LATCH	2
3	H-70856	NYLOK #8-32 SS	4
4	H-70860	NYLOK 1/4"- 20 SS	12
5	H-70861	NYLOK 5/16" - 18 SS	4
6	H-71015	FW 5/16 ID X 3/4 OD SS	4
7	H-72641	FHP #8-32 X 3/8" SS	4
8	H-74401	CB 5/16"- 18 X 1-3/4" SS	4
9	H-74418	CB 1/4"- 20 X 5/8" S/S	12
10	M-9307K23	GROMMET .625 DIAMETER HOLE .125 THICK PANEL	6



25 Inch & 29 Inch Cylindrical Decks

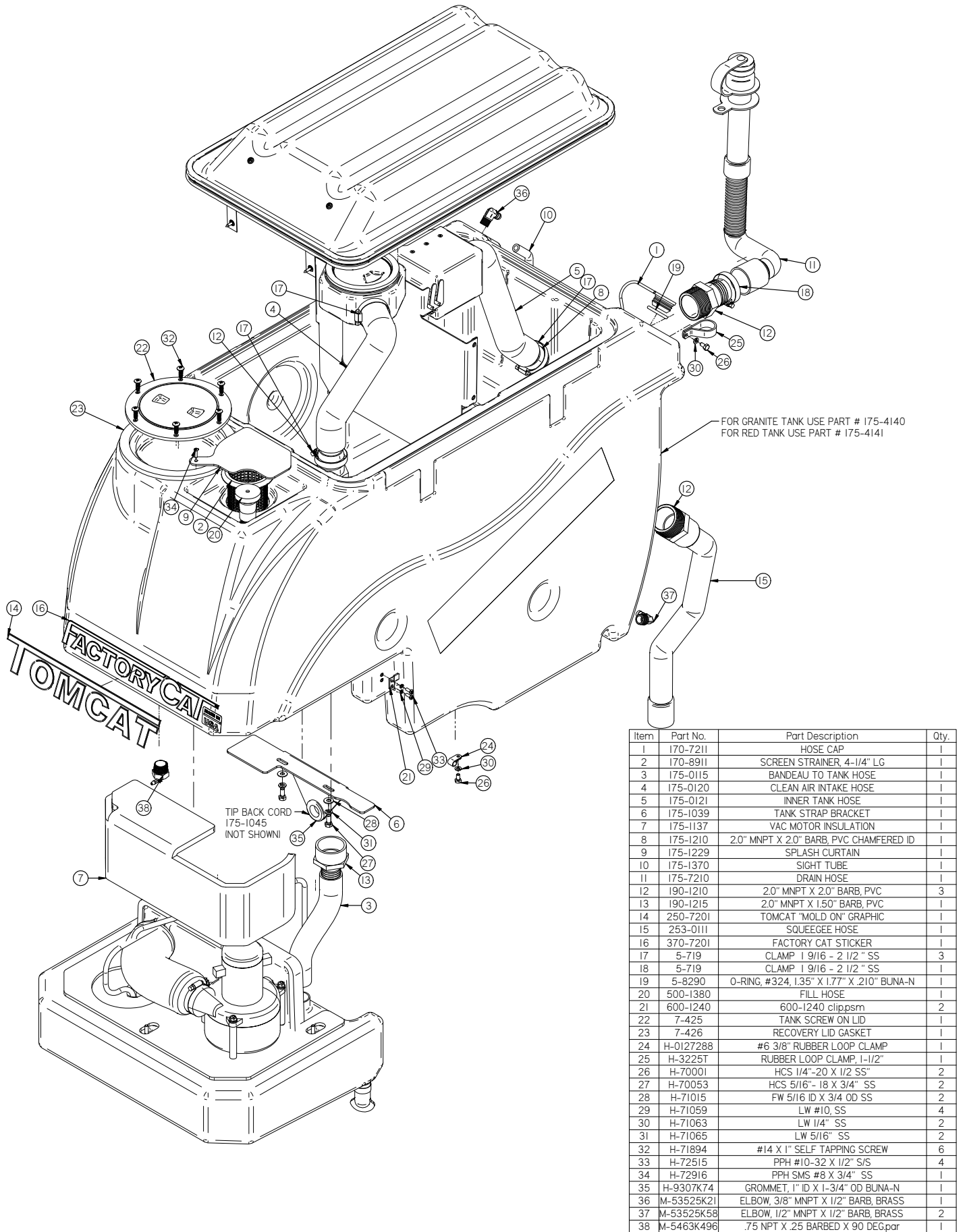


Item	Part No.	Part Description	Qty.	Item	Part No.	Part Description	Qty.
1	175-2700	NEG INSULATOR POST (BLACK)	1	25	H-70858	NYLOK #10-32 SS	4
2	175-2710	POS INSULATOR POST (RED)	1	26	H-70861	NYLOK 5/16" - 18 SS	22
3	175-9590	SCRUBDECK LIFT ARM, CYLINDRICAL	1	27	H-70889	HOLE PLUG 7/8"	2
4	21-1127	ROLLER	6	28	H-71015	FW 5/16 ID X 3/4 OD SS	12
5	253-9003	QUICK DISCONNECT BRACKET	1	29	H-71016	FW 5/16 ID X 7/8 OD SS	2
6	264-1129	ROLLER BRACKET	2	30	H-71017	FW 3/8 ID X 7/8 OD SS	10
7	264-8215	TIMING SPROCKET 26 TOOTH	2	31	H-72556	PPH #10-32 X 2" SS	4
8	264-8225	TIMING SPROCKET 56 TOOTH	2	32	H-72682	FHP #10-32 X 1/2" SS	8
9	264-8230	565-5M-25 HI-PERFORMANCE PD PLUS BELT	2	33	H-72685	FHP 10-32 X 1" SS	6
10	264-8325	HOPPER RAIL 25"	1	34	H-73459	SHCS 1/4"-20 X 1/2" SS	6
11	264-9002	MOTOR ADJ BRACKET	2	35	H-73777	BHSCS 5/16-18 X 1/2"	2
12	300-4030	LEVEL	2	36	H-74417	CB 1/4" - 20 X 5" SS	2
13	370-1247	BUSHING 5/16 X 1/2 X 3/16	4	37	H-74429	CB 5/16" - 18 X 3/4" SS	8
14	370-8240A	BEARING HOUSING/BEARING	2	38	H-74430	CB 5/16" - 18 X 1" SS	6
15	4-446	GROMMET-3/8 ID X 1-1/2 OD X .375	6	39	H-74431	CB 5/16" - 18 X 1-1/4" SS	4
16	6-25	6.25" ADJUSTABLE LATERAL ARM	2	40	H-74432	CB 5/16" - 18 X 1-1/2" SS	4
17	H-01125	3/16" X 1" KEY	2	41	H-90895	WASHER, SERRATED BELLEVILLE, 3/8", S/S	8
18	H-0129155	JNYL #10-32, 18-8 S/S	6	42	H-98025	FW 3/8" GRADE 8	8
19	H-0171004	JNYL 3/8- 24 SS	2	43	H-K14320	3/16" X 1 1/4" KEY	2
20	H-0953152	3/16" X 3/4" KEY	2	44	H-NJ04C	JNYL 1/4" - 20 SS	7
21	H-11333	HB 5/8" - 11 X 10"	2	45	M-92865A214	HCS 3/8"-24 X 7/8" SS	8
22	H-25382	SETSCREW, KCP, 1/4"-20 X 1/2"	8	46	T-025B2300	ZERO HOSE	1
23	H-37038	JNYL 5/8" - 11	2	47	T-050R1700	SOLUTION FEED HOSE	1
24	H-70003	HCS 1/4"-20 X 3/4" SS	4				



Item	Part No.	Part Description	Qty.
1	264-9015	WIPER BAND	1
2	264-9022	DRIVE COVER	1
3	370-8241A	IDLER DRIVE BEARING	1
4	5-100	GROMMET	1
5	5-130	DOOR LATCH	1
6	600-8371	CYLINDRICAL DRIVER (HARDCOAT)	1
7	H-0171004	JNYL 3/8" - 24 SS	1
8	H-0953152	3/16" X 3/4" KEY	1
9	H-71017	FW 3/8 ID X 7/8 OD SS	1
10	H-72682	FHP #10-32 X 1/2" SS	4
11	H-74419	CB 1/4" - 20 X .75" SS	3
12	H-NJ04C	JNYL 1/4" - 20 SS	3

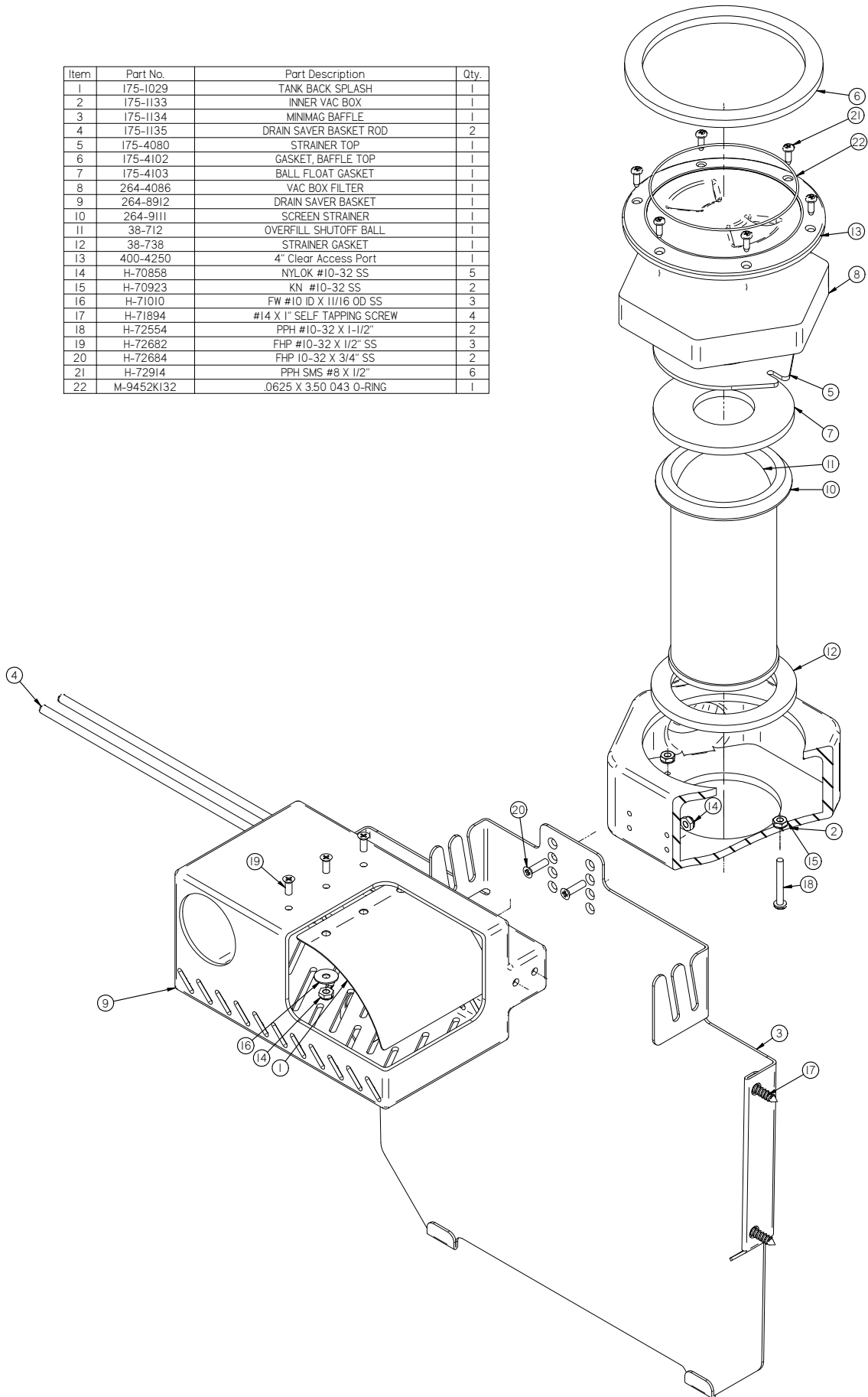
Standard XL Tank Assembly



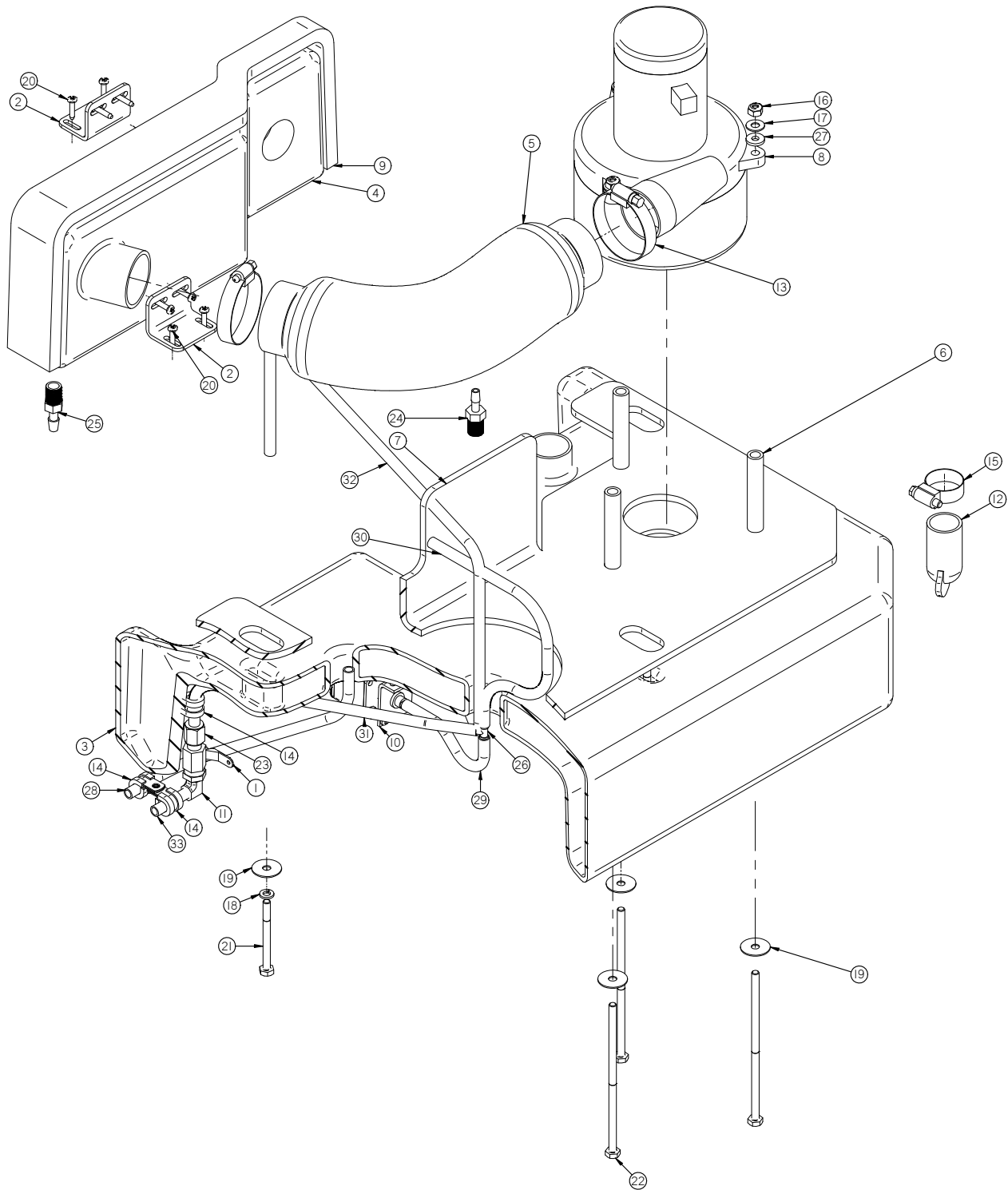
Item	Part No.	Part Description	Qty.
1	170-7211	HOSE CAP	1
2	170-8911	SCREEN STRAINER, 4-1/4" LG	1
3	175-0115	BANDEAU TO TANK HOSE	1
4	175-0120	CLEAN AIR INTAKE HOSE	1
5	175-0121	INNER TANK HOSE	1
6	175-1039	TANK STRAP BRACKET	1
7	175-1137	VAC MOTOR INSULATION	1
8	175-1210	2.0" MNPT X 2.0" BARB, PVC CHAMFERED ID	1
9	175-1229	SPLASH CURTAIN	1
10	175-1370	SIGHT TUBE	1
11	175-7210	DRAIN HOSE	1
12	190-1210	2.0" MNPT X 2.0" BARB, PVC	3
13	190-1215	2.0" MNPT X 1.50" BARB, PVC	1
14	250-7201	TOMCAT "MOLD ON" GRAPHIC	1
15	253-0111	SQUEEGEE HOSE	1
16	370-7201	FACTORY CAT STICKER	1
17	5-719	CLAMP 1 9/16 - 2 1/2" SS	3
18	5-719	CLAMP 1 9/16 - 2 1/2" SS	1
19	5-8290	O-RING, #324, 1.35" X 1.77" X .210" BUNA-N	1
20	500-1380	FILL HOSE	1
21	600-1240	600-1240 clippsm	2
22	7-425	TANK SCREW ON LID	1
23	7-426	RECOVERY LID GASKET	1
24	H-0127288	#6 3/8" RUBBER LOOP CLAMP	1
25	H-3225T	RUBBER LOOP CLAMP, 1-1/2"	1
26	H-70001	HCS 1/4"-20 X 1/2" SS	2
27	H-70053	HCS 5/16"-18 X 3/4" SS	2
28	H-71015	FW 5/16 ID X 3/4 OD SS	2
29	H-71059	LW #10, SS	4
30	H-71063	LW 1/4" SS	2
31	H-71065	LW 5/16" SS	2
32	H-71894	#14 X 1" SELF TAPPING SCREW	6
33	H-72515	PPH #10-32 X 1/2" S/S	4
34	H-72916	PPH SMS #8 X 3/4" SS	1
35	H-9307K74	GROMMET, 1" ID X 1-3/4" OD BUNA-N	1
36	M-53525K21	ELBOW, 3/8" MNPT X 1/2" BARB, BRASS	1
37	M-53525K58	ELBOW, 1/2" MNPT X 1/2" BARB, BRASS	2
38	M-5463K496	.75 NPT X .25 BARBED X 90 DEG.par	1

Standard XL Tank - Drain Saver, Vac Box, Baffle Assembly

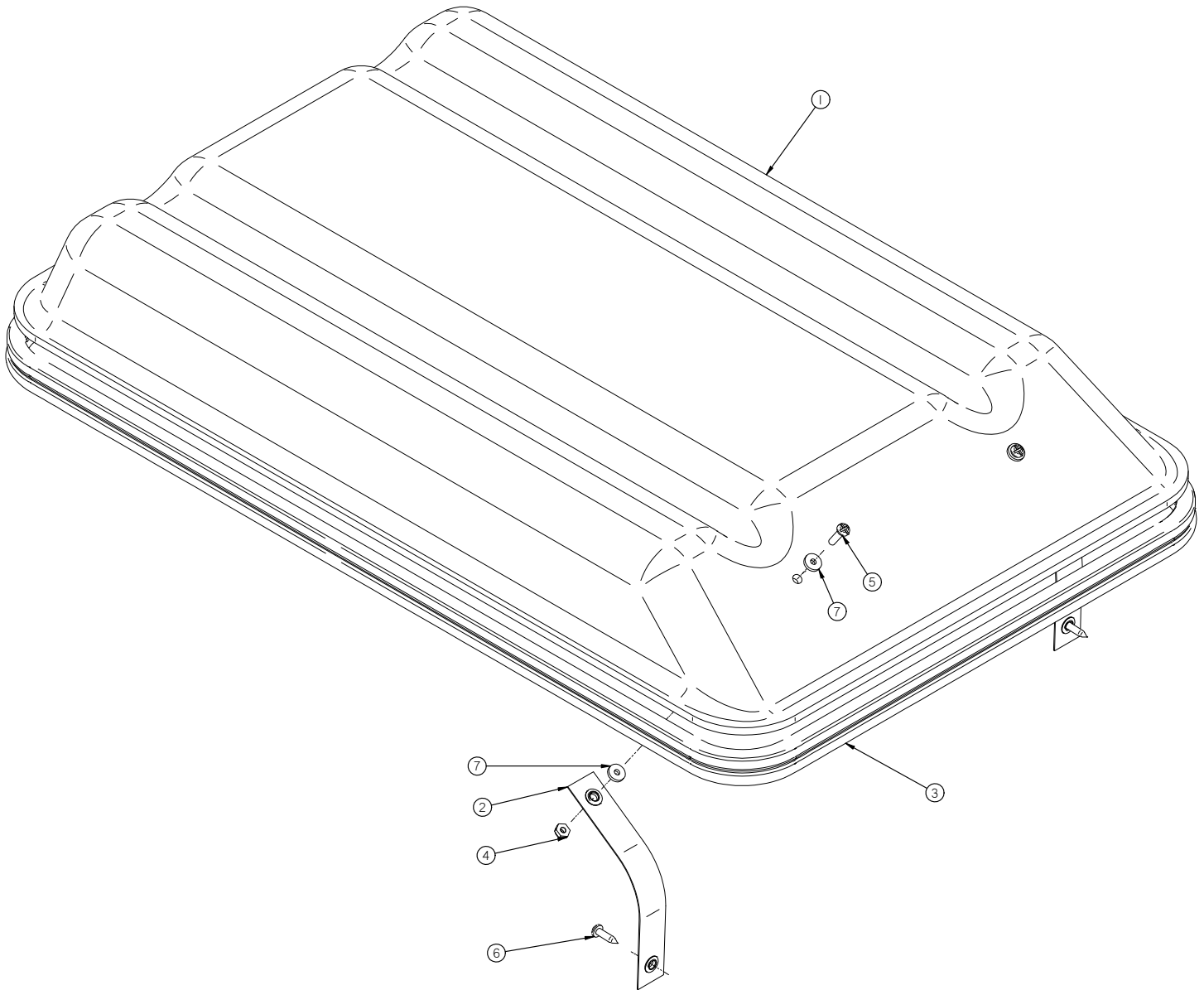
Item	Part No.	Part Description	Qty.
1	175-1029	TANK BACK SPLASH	1
2	175-1133	INNER VAC BOX	1
3	175-1134	MINIMAG BAFFLE	1
4	175-1135	DRAIN SAVER BASKET ROD	2
5	175-4080	STRAINER TOP	1
6	175-4102	GASKET, BAFFLE TOP	1
7	175-4103	BALL FLOAT GASKET	1
8	264-4086	VAC BOX FILTER	1
9	264-8912	DRAIN SAVER BASKET	1
10	264-9111	SCREEN STRAINER	1
11	38-712	OVERFILL SHUTOFF BALL	1
12	38-738	STRAINER GASKET	1
13	400-4250	4" Clear Access Port	1
14	H-70858	NYLOK #10-32 SS	5
15	H-70923	KN #10-32 SS	2
16	H-71010	FW #10 ID X 11/16 OD SS	3
17	H-71894	#14 X 1" SELF TAPPING SCREW	4
18	H-72554	PPH #10-32 X 1-1/2"	2
19	H-72682	FHP #10-32 X 1/2" SS	3
20	H-72684	FHP 10-32 X 3/4" SS	2
21	H-72914	PPH SMS #8 X 1/2"	6
22	M-9452K132	.0625 X 3.50 043 O-RING	1



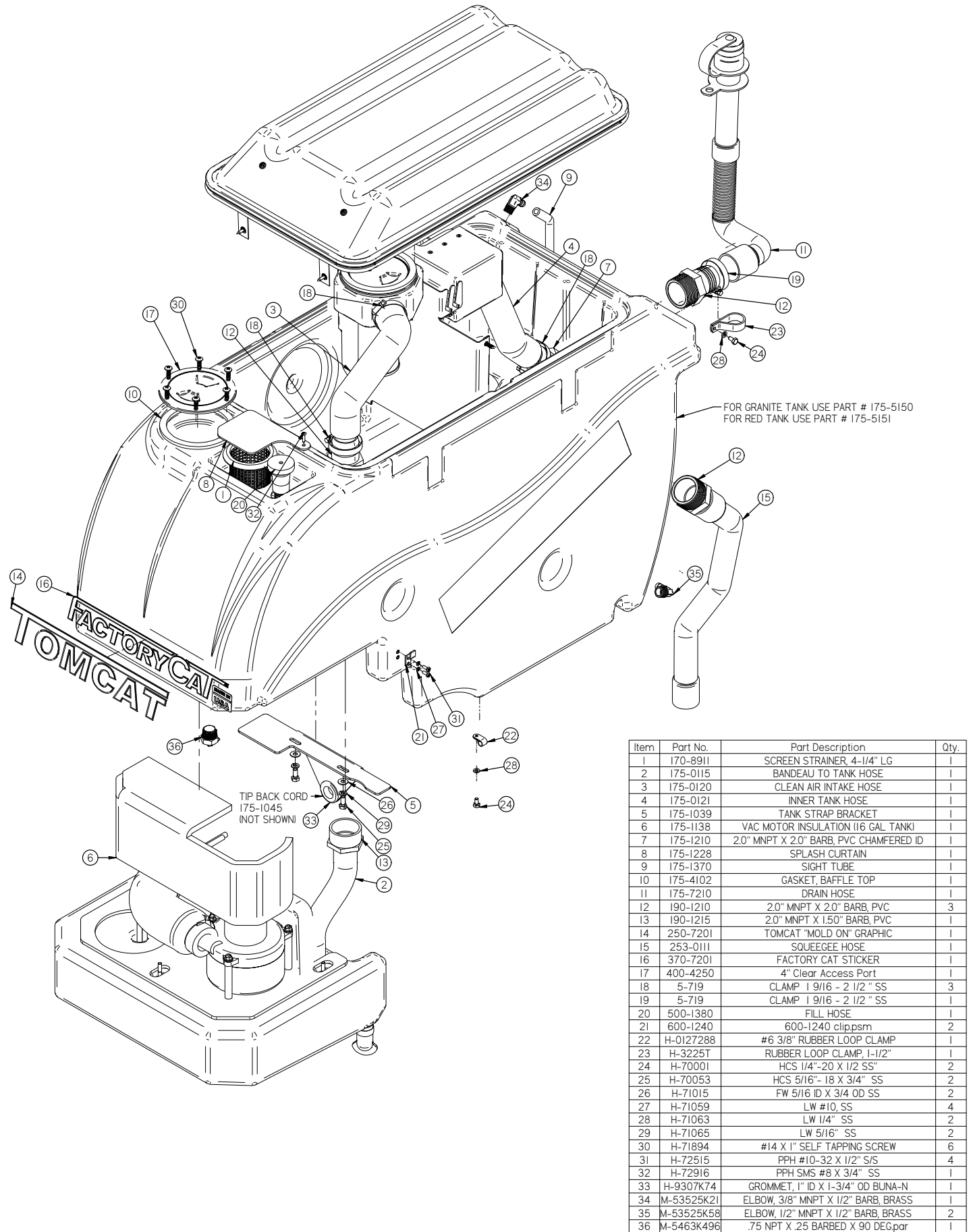
Standard XL Tank - Vacuum Bandeau Assembly



Item	Part No.	Part Description	Qty.	Item	Part No.	Part Description	Qty.
1	170-4158	1/4" NPT VALVE	1	18	H-71063	LW 1/4" SS	3
2	175-1129	VAC MUFFLER BRACKET	2	19	H-71212	FNW 1/4 ID X 1.0 OD SS	6
3	175-1147	BANDEAU VAC BOX	1	20	H-72916	PPH SMS #8 X 3/4" SS	8
4	175-1148	VAC MUFFLER WALL	1	21	H-77014	HCS 1/4" - 20 X 2.75" SS	3
5	175-2502	MINI-XL MUFFLER	1	22	H-77025	HCS 1/4" - 20 X 6.0" SS	3
6	175-2600	SPACER 3.0" LG	3	23	M-5346K51	.25 NPTF X .125 BRASS BARBED HOSE FITTING	1
7	175-3002	2 1/2 23GA VAC MOTOR GASKET	1	24	M-5463K439	.25 NPT X .125 BARB	1
8	175-5250	VAC MOTOR, 3/4 HP, TANGENTIAL	1	25	M-5463K445	.25 NPT X .25 BARB	1
9	175-7421	TANK GASKET	1	26	M-5463K606	1/4" X 1/4" PLASTIC BARBED TEE	1
10	253-8500	SOAP PUMP, 24V	1	27	M-90130A029	.25" NEOPRENE WASHER	3
11	290-4149	1/4" NPT X 1/4" BARB X 90 DEG	1	28	T-025B1200	VAC DRAIN HOSE	1
12	390-1505	LOADER VALVE	1	29	T-025C0800	SUDS HOSE	1
13	5-719	CLAMP 1 9/16 - 2 1/2" SS	2	30	T-025C1200	SUDS HOSE	1
14	H-0127290	1/2" LOOP CLAMP	3	31	T-025C1200	SUDS HOSE	1
15	H-62005	CLAMP 5/8" - 1-1/2" SS	1	32	T-025C1700	SUDS HOSE	1
16	H-70860	NYLOK 1/4" - 20 SS	3	33	T-025G0200	SUDS DRAIN HOSE	1
17	H-71013	FW 1/4 ID X 5/8 OD SS	3				

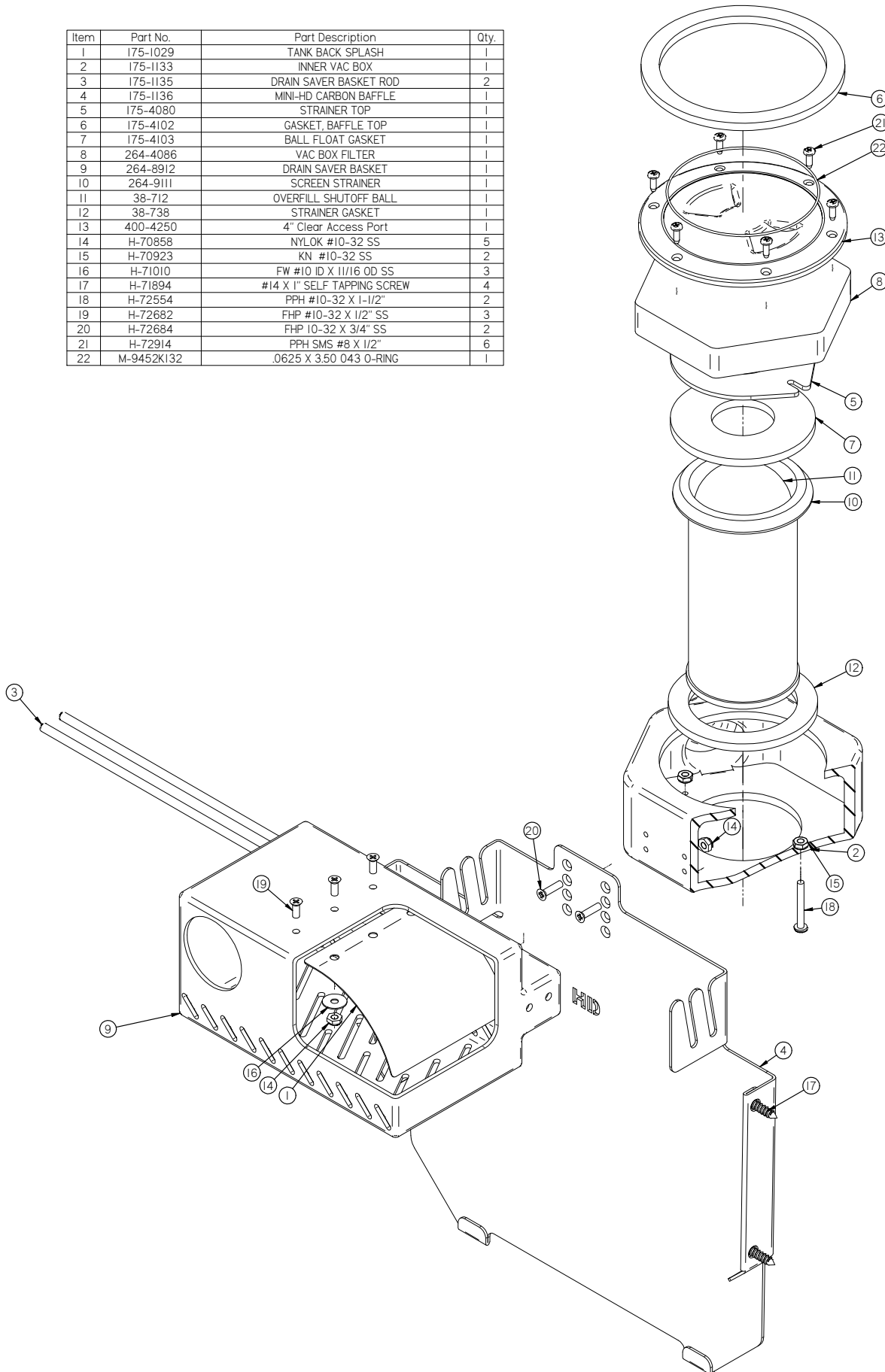


Item	Part No.	Part Description	Qty.
1	I75-1410	VAC FORMED SMOKED COVER	1
2	I75-1412	TANK LID STRAP W/GROMMETS	2
3	I75-4101	PUSH-ON RUBBER GASKET	1
4	H-0129155	JNYL #10-32, 18-8 S/S	2
5	H-72534	PPH #10-32 X 3/4" S/S	2
6	H-72916	PPH SMS #8 X 3/4" SS	2
7	H-90133	.170 ID X .50 OD X .093 TH NEOPRENE WASHER	4

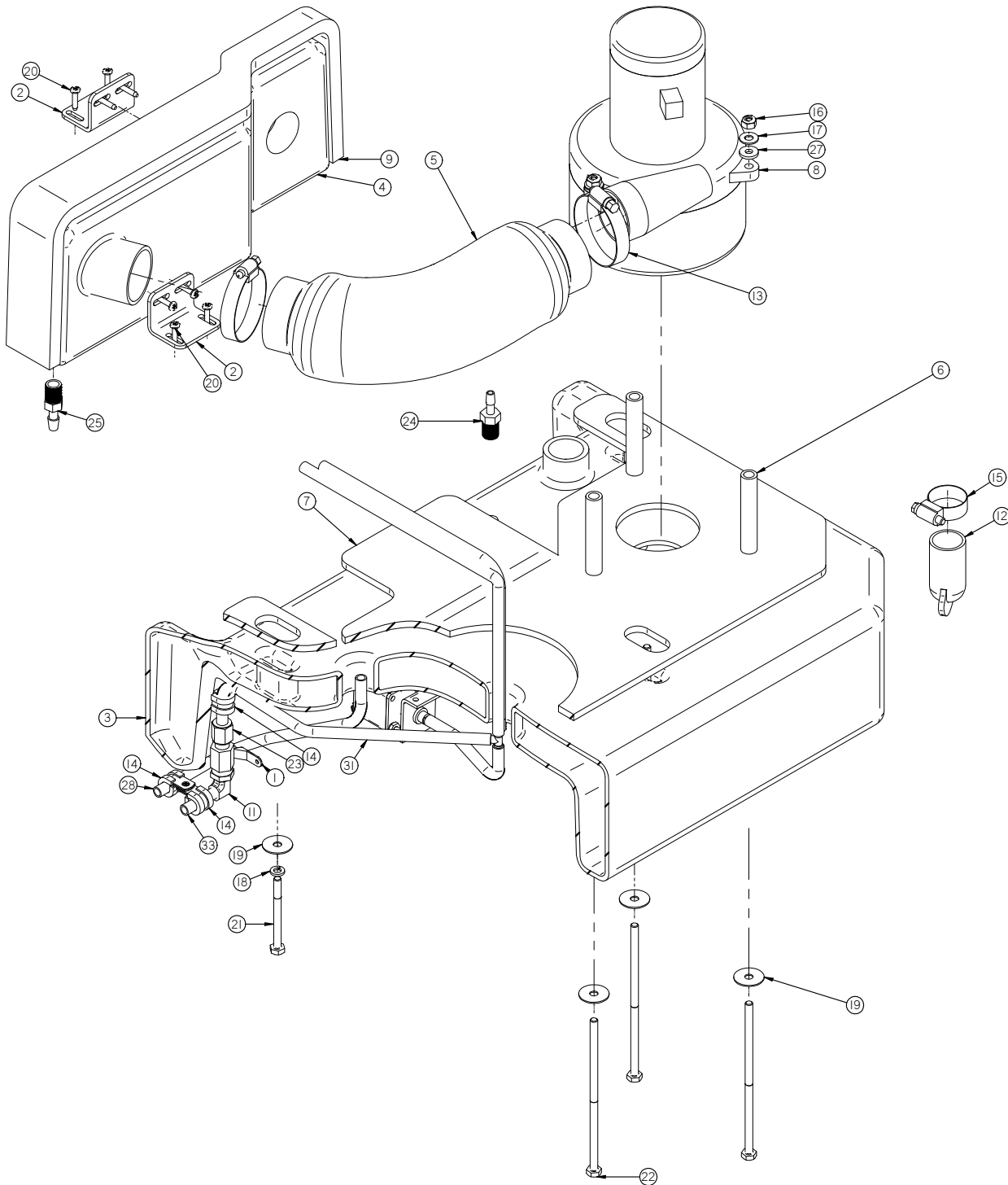


Smaller Optional - Drain Saver, Vac Box, Baffle Assembly

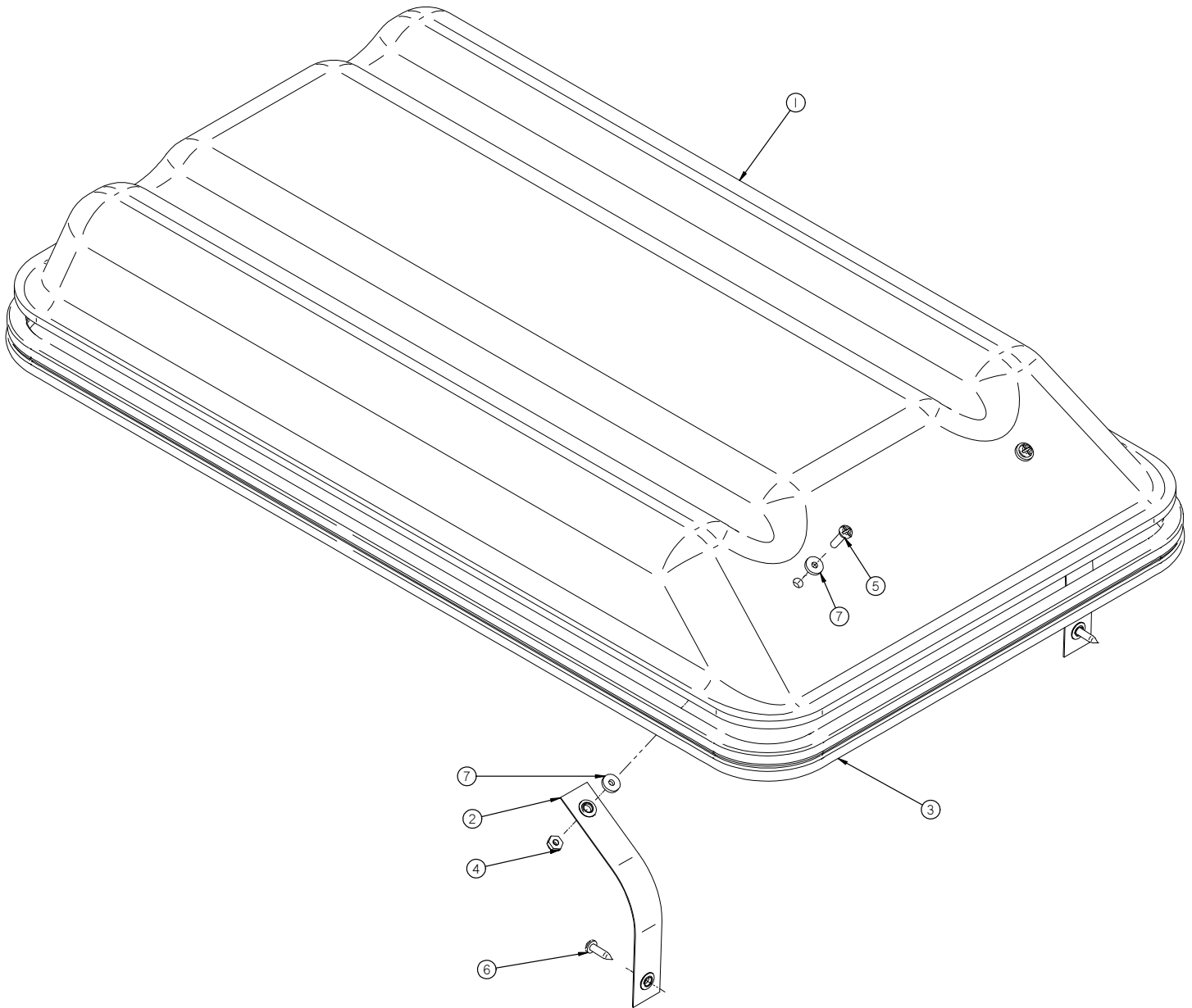
Item	Part No.	Part Description	Qty.
1	175-1029	TANK BACK SPLASH	1
2	175-1133	INNER VAC BOX	1
3	175-1135	DRAIN SAVER BASKET ROD	2
4	175-1136	MINI-HD CARBON BAFFLE	1
5	175-4080	STRAINER TOP	1
6	175-4102	GASKET, BAFFLE TOP	1
7	175-4103	BALL FLOAT GASKET	1
8	264-4086	VAC BOX FILTER	1
9	264-8912	DRAIN SAVER BASKET	1
10	264-9111	SCREEN STRAINER	1
11	38-712	OVERFILL SHUTOFF BALL	1
12	38-738	STRAINER GASKET	1
13	400-4250	4" Clear Access Port	1
14	H-70858	NYLOK #10-32 SS	5
15	H-70923	KN #10-32 SS	2
16	H-71010	FW #10 ID X 11/16 OD SS	3
17	H-71894	#14 X 1" SELF TAPPING SCREW	4
18	H-72554	PPH #10-32 X 1-1/2"	2
19	H-72682	FHP #10-32 X 1/2" SS	3
20	H-72684	FHP 10-32 X 3/4" SS	2
21	H-72914	PPH SMS #8 X 1/2"	6
22	M-9452K132	.0625 X 3.50 O43 O-RING	1



Smaller Optional - Vacuum Bandeau Assembly

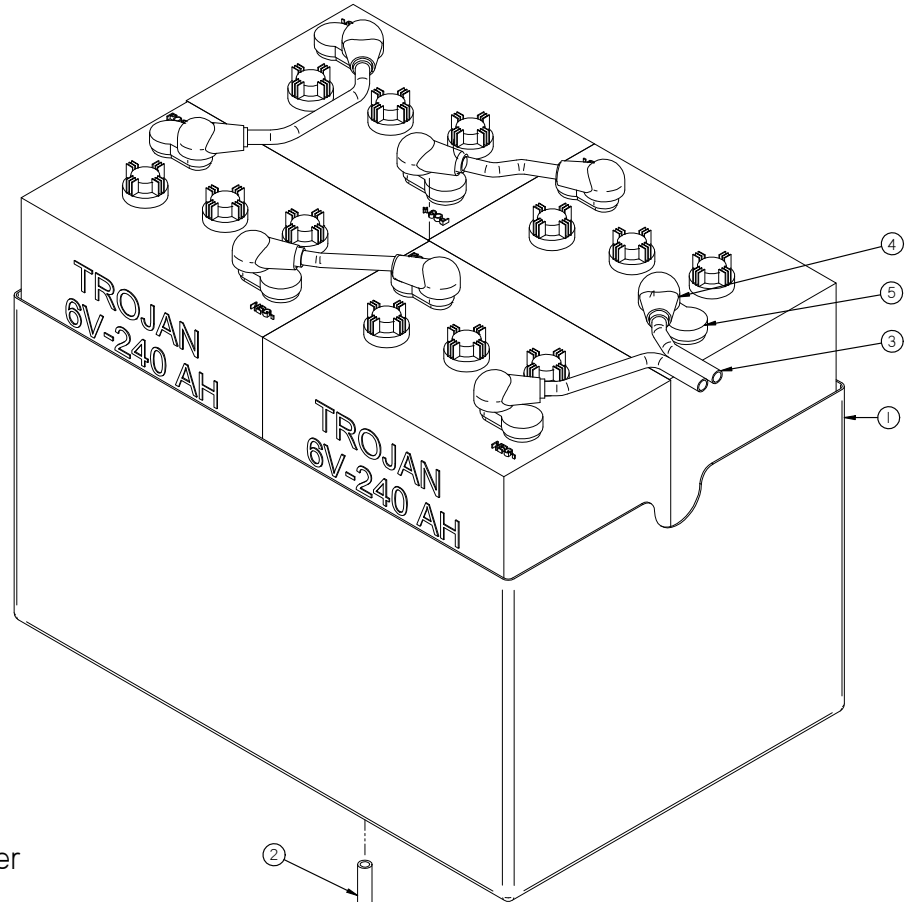


Item	Part No.	Part Description	Qty.	Item	Part No.	Part Description	Qty.
1	170-4158	1/4" NPT VALVE	1	18	H-71063	LW 1/4" SS	3
2	175-1129	VAC MUFFLER BRACKET	2	19	H-71212	FNW 1/4 ID X 1.0 OD SS	6
3	175-1146	MINI-HD CARBON BANDEAU VAC BOX	1	20	H-72916	PPH SMS #8 X 3/4" SS	8
4	175-1148	VAC MUFFLER WALL	1	21	H-77014	HCS 1/4"- 20 X 2.75" SS	3
5	175-2502	MINI-HD CARBON MUFFLER	1	22	H-77025	HCS 1/4"- 20 X 6.0" SS	3
6	175-2600	SPACER, 3.0" LG	3	23	M-5346K51	.25 NPTF X .125 BRASS BARBED HOSE FITTING	1
7	175-3000	1/617GA VAC MOTOR GASKET	1	24	M-5463K439	.25 NPT X .125 BARB	1
8	175-5250	VAC MOTOR, 3/4 HP, TANGENTIAL	1	25	M-5463K445	.25 NPT X .25 BARB	1
9	175-7421	TANK GASKET	1	26	M-5463K606	1/4" X 1/4" PLASTIC BARBED TEE	1
10	253-8500	SOAP PUMP, 24V	1	27	M-90130A029	.25" NEOPRENE WASHER	3
11	290-4149	1/4" NPT X 1/4" BARB X 90 DEG	1	28	T-025BI200	VAC DRAIN HOSE	1
12	390-1505	LOADER VALVE	1	29	T-025C0800	SUDS HOSE	1
13	5-719	CLAMP 1 9/16 - 2 1/2" SS	2	30	T-025CI200	SUDS HOSE	1
14	H-0127290	1/2" LOOP CLAMP	3	31	T-025CI200	SUDS HOSE	1
15	H-62005	CLAMP 5/8"- 1-1/2" SS	1	32	T-025CI700	SUDS HOSE	1
16	H-70860	NYLOK 1/4"- 20 SS	3	33	T-025G0200	SUDS DRAIN HOSE	1
17	H-71013	FW 1/4 ID X 5/8 OD SS	3				

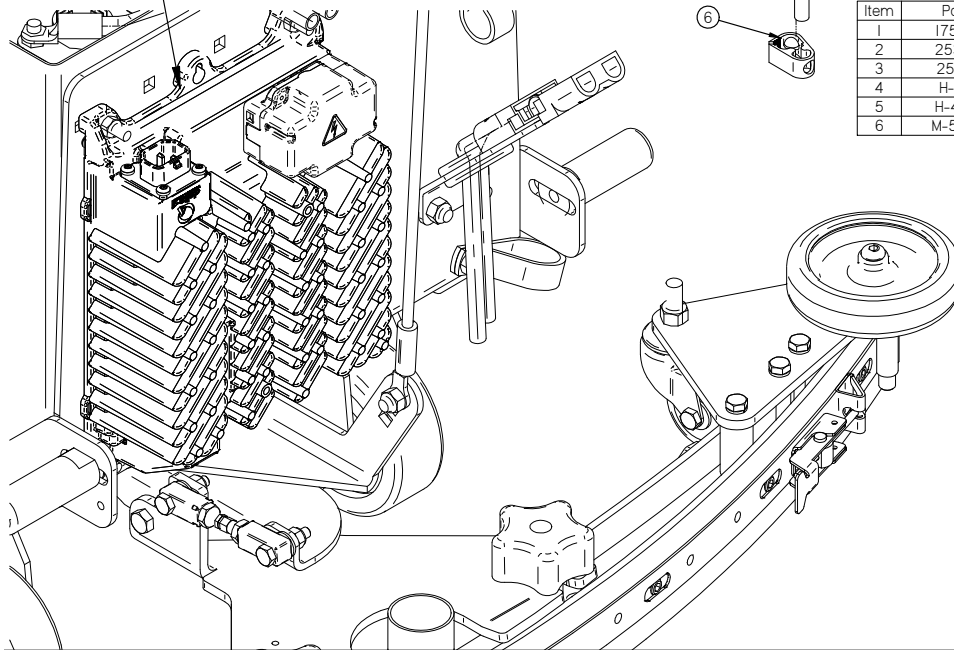


Item	Part No.	Part Description	Qty.
1	175-1409	MINI-HD CARBON CLEAR LID	1
2	175-1412	TANK LID STRAP W/GROMMETS	2
3	175-4101	PUSH-ON RUBBER GASKET	1
4	H-0129155	JNYL #10-32, 18-8 S/S	2
5	H-72534	PPH #10-32 X 3/4" S/S	2
6	H-72916	PPH SMS #8 X 3/4" SS	2
7	H-90133	.170 ID X .50 OD X .093 TH NEOPRENE WASHER	4

Batteries & Chargers



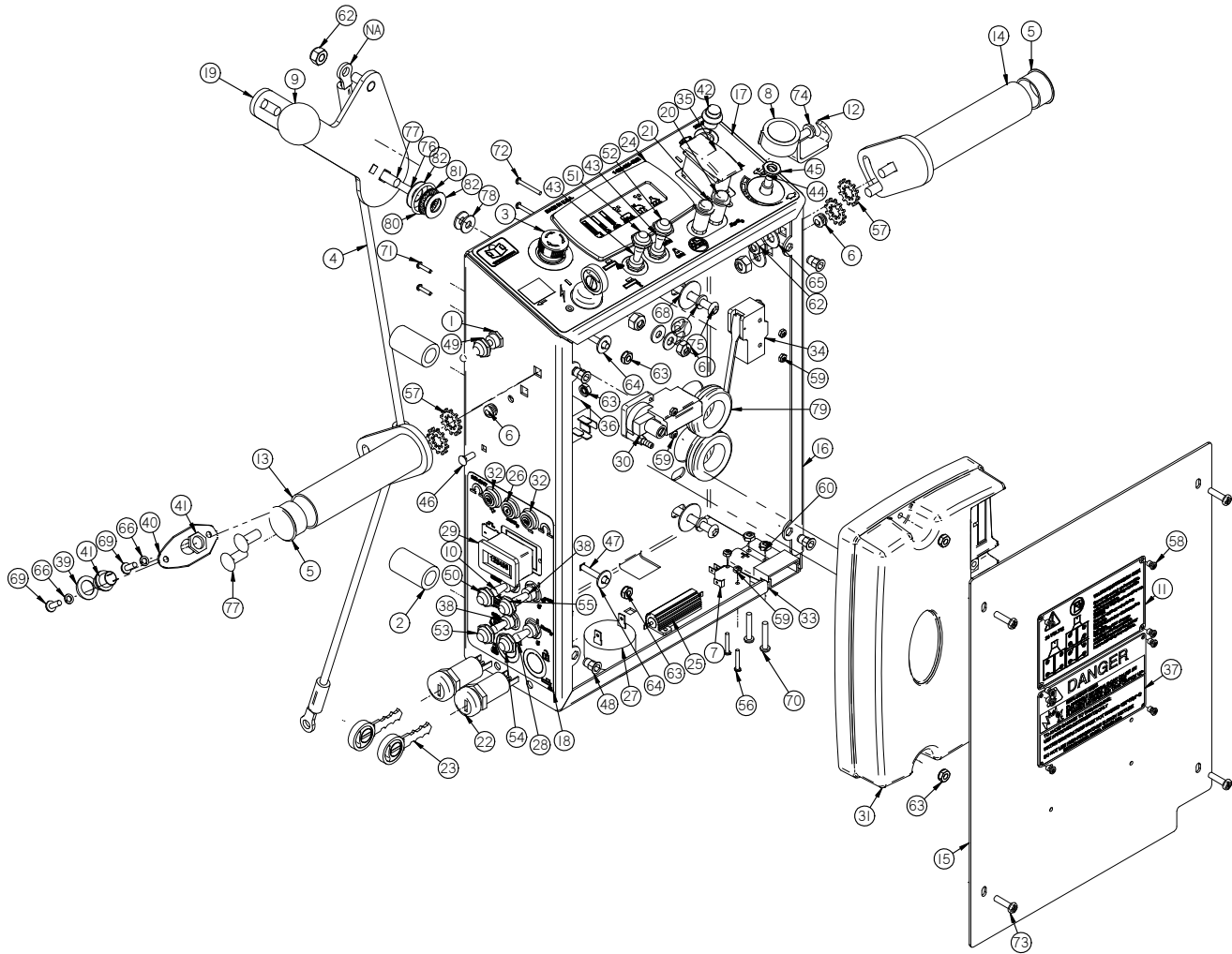
On-Board Charger
(See list below)



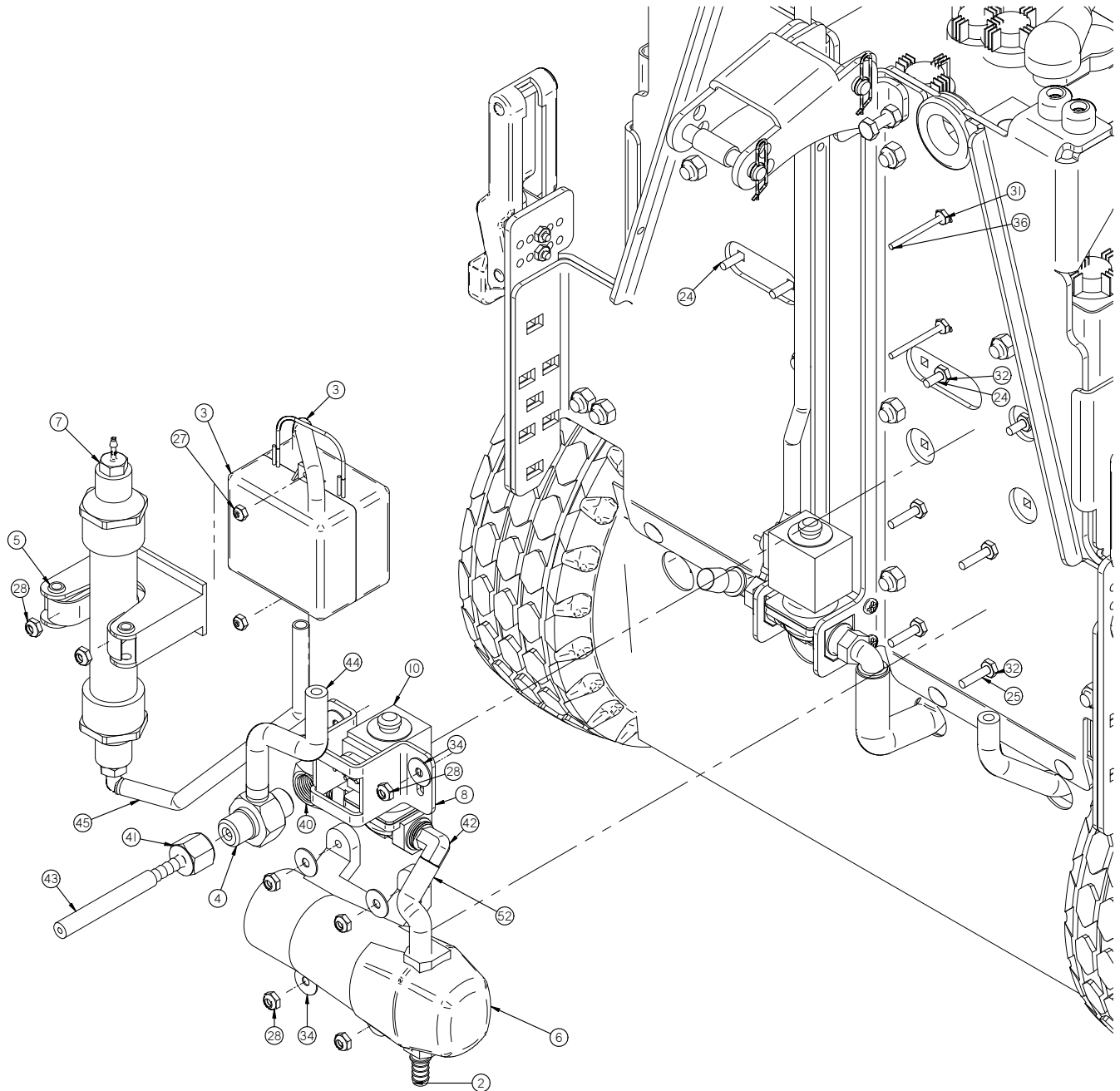
Item	Part No.	Part Description	Qty.
1	175-0000	BATTERY TRAY	1
2	253-1608	BLACK HOSE, 3-1/4" LG	1
3	253-1901	WIRE HARNESS, COMPLETE	1
4	H-40031	BATTERY BOOT	8
5	H-400317	TERMINAL COVER	8
6	M-5031K12	CLAMP STYLE PINCH VALVE	1

WHICH BATTERY CHARGER TO USE WITH BATTERY SELECTION

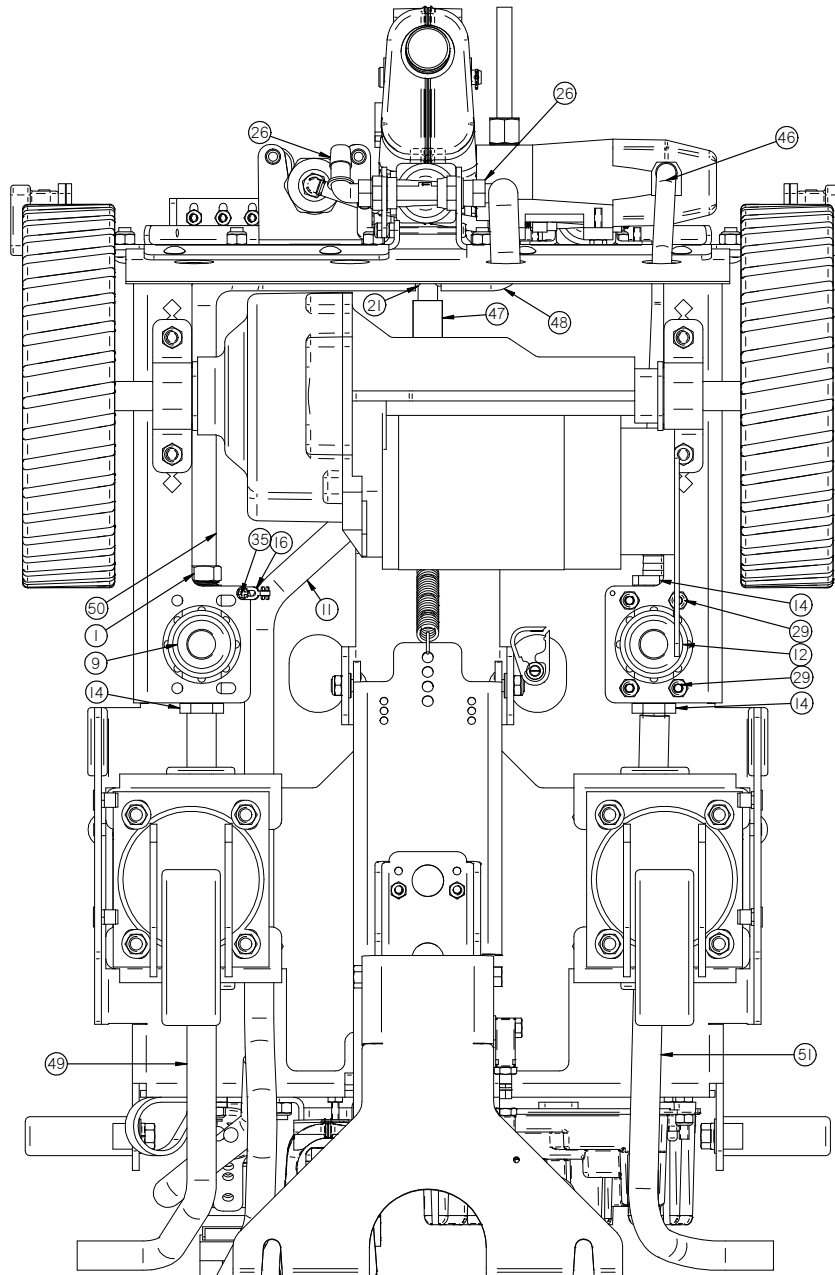
Battery Part Number & Description	Console Charger / North America	Onboard Charger / North America / International
175-2110 (6V / 210AH - WET)	253-2540	175-2460
250-2113 (6V / 240AH - WET)	253-2540	175-2460
250-2120 (6V / 250AH - AGM)	N/A	175-2460



Item	Part No.	Part Description	Qty.	Item	Part No.	Part Description	Qty.
1	150-2830	SWITCH, TOGGLE, MOM/OFF/MOM (DPDT)	1	42	7-229D	PUSH BUTTON SWITCH	1
2	170-2700	SPACER, 1-1/2" LG	4	43	7-283	SWITCH, TOGGLE, MOM/OFF/MOM (DPDT)	2
3	175-0300	Emergency stop switch, 51 series, I/C/O	1	44	7-292	5K POTENTIOMETER	1
4	175-7890	SQUEEGEE LIFT CABLE	1	45	H-0147994	3/8-32 X 1/2 PANEL NUT	1
5	190-1390	END CAP	2	46	H-0172518	CB #10-32 X 1/2" SS	1
6	21-2203	GROMMET, RUBBER 3/16 ID X 13/32 OD X 3/32 TH.	2	47	H-0172522	CB #10-32 X 1-1/4" SS	2
7	21-2230	MICRO SWITCH	1	48	H-1032HCN	HCN #10-32	4
8	21-4520	SPEED CONTROL KNOB, RED	1	49	H-11196	PROTECTIVE BOOT, TOGGLE SWITCH, (RED)	1
9	21-7101	LIFT KNOB	1	50	H-11198	PROTECTIVE BOOT, TOGGLE SWITCH, (GREEN)	1
10	253-283	SWITCH, TOGGLE, ON/OFF/ON (DPDT)	1	51	H-11199	PROTECTIVE BOOT, TOGGLE SWITCH, (BLUE)	1
11	253-7280	EXPLOSION WARNING PLATE	1	52	H-11200	PROTECTIVE BOOT, TOGGLE SWITCH, (BLACK)	1
12	253-9491	HOOK	1	53	H-11202	PROTECTIVE BOOT, TOGGLE SWITCH, (ORANGE)	1
13	264-1290	ADJUSTABLE HANDLE BAR, LEFT	1	54	H-11203	PROTECTIVE BOOT, TOGGLE SWITCH, (PURPLE)	1
14	264-1291	ADJUSTABLE HANDLE BAR, RIGHT	1	55	H-11205	PROTECTIVE BOOT, TOGGLE SWITCH, (LIGHT BLUE)	1
15	264-2001	CONTROL PANEL COVER	1	56	H-28667	PHP MS 4-40 X 3/4"	2
16	264-2012	CONTROL PANEL BOX, TRACTION	1	57	H-33761	5/16" INT/EXT STAR WASHER	4
17	264-2016	MINI MAG TD CONTROL PANEL STICKER	1	58	H-41007	AB4-3A BLIND RIVET	12
18	264-2017	SUDS/SPRAY STICKER	1	59	H-70854	NYLOK #4-40 SS	6
19	264-7100	SQUEEGEE LIFT LEVER	1	60	H-70856	NYLOK #8-32 SS	2
20	290-2300	LED LIGHT (BLUE)	1	61	H-70860	NYLOK 1/4" - 20 SS	5
21	290-2310	FULL RECOVERY (RED)	1	62	H-70861	NYLOK 5/16" - 18 SS	6
22	290-234	KEY SWITCH (WITH KEY)	3	63	H-70923	KN #10-32 SS	5
23	290-234A	KEY SET (REPLACE)	3	64	H-71013	FW 1/4 ID X 5/8 OD SS	3
24	290-2891	LCD SCREEN	1	65	H-71015	FW 5/16 ID X 3/4 OD SS	4
25	290-9581		1	66	H-71059	LW #10, SS	8
26	349-9604	FUSE, RESETTABLE, 4 AMP, 50V DC MAX	1	67	H-71063	LW 1/4" SS	4
27	370-2920	ALARM	1	68	H-71212	FNW 1/4 ID X 1.0 OD SS	4
28	370-8210	SWITCH, TOGGLE, ON/ON (DPDT)	1	69	H-72398	PPH #8-32 X 1/2" S/S	8
29	370-8261	CHARGER COUNTER	1	70	H-72418	PPH #8-32 X 1" S/S	2
30	390-2328	SWITCH, VACUUM SHUTOFF	1	71	H-72486	PPH #4-40 X 1/2" S/S	2
31	390-2899	CONTROLLER V4	1	72	H-72494	PPH #4-40 X 1" S/S	2
32	390-9615	FUSE, RESETTABLE, 15 AMP, 50V DC MAX	2	73	H-72534	PPH #10-32 X 3/4" S/S	4
33	4-259	CONNECTOR, RED 50, HOUSING ONLY	1	74	H-72588	PPH 1/4-20 X 5/8" SS	1
34	5-223	LIMIT SWITCH	1	75	H-73758	BHSCS 1/4 - 20 X 1-3/4" SS	4
35	5-234	SWITCH, ROCKER, DPDT, ON/ON	1	76	H-74420	CB 1/4" - 20 X 1.0" SS	1
36	5-293	15 AMP RELAY	1	77	H-74429	CB 5/16" - 18 X 3/4" SS	5
37	5-728	DETERGENT WARNING PLATE	1	78	H-76061	FW 1/4" NYLON	3
38	5-892	TOGGLE, ON-OFF SPST	2	79	H-9307K74	GROMMET, 1" ID X 1-3/4" OD BUNA-N	2
39	7-227	BUTTON COVER	2	80	M-4464T178	NEEDLE ROLLER THRUST BEARING ORING	1
40	7-228	SWITCH MOUNT PLATE	4	81	M-5909K31	NEEDLE ROLLER THRUST BEARING	1
41	7-229	PUSH BUTTON SWITCH	4	82	M-5909K44	NEEDLE ROLLER THRUST BEARING WASHER	2

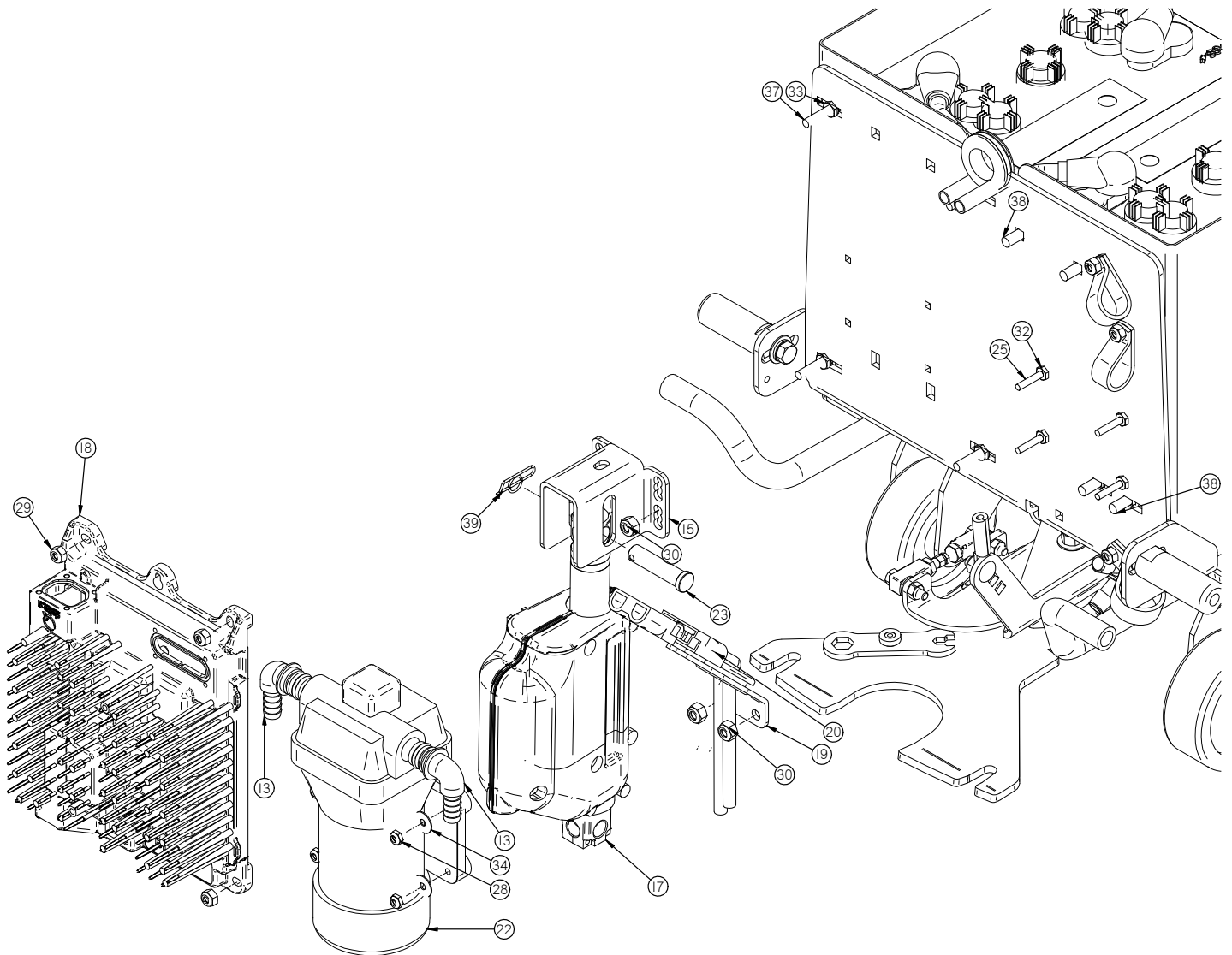


Item	Part No.	Part Description	Qty.	Item	Part No.	Part Description	Qty.
1		.50 NPT X .375 BARB.par	1	27	H-70855	NYLOK #6-32 SS	1
2	123-1601	3/8 BARBED FITTING	1	28	H-70858	NYLOK #10-32 SS	4
3	123-2333	ZERO GENERATORS	1	29	H-70860	NYLOK 1/4" - 20 SS	3
4	123-8510	RED INJECTOR	1	30	H-70861	NYLOK 5/16" - 18 SS	2
5	123-8860	HOSE BRACKET HOLDER	1	31	H-70921	KN #6-32	1
6	123-8910	PUMP, WATER JET	1	32	H-70923	KN #10-32 SS	3
7	123-9134	AIR DRYER	1	33	H-70925	KN 1/4-20 S/S	1
8	150-5280	VALVE BRACKET	1	34	H-71010	FW #10 ID X 11/16 OD SS	3
9	155-9130	INLINE FILTER	1	35	H-72388	PPH #6-32 X 3/4" SS	1
10	170-4500	24V VALVE	1	36	H-72393	PPH #6-32 X 2" MS S/S	1
11	175-1370	SIGHT TUBE	1	37	H-74421	CB 1/4" - 20 X 1-1/4" SS	1
12	175-9130	INLINE FILTER	1	38	H-74429	CB 5/16" - 18 X 3/4" SS	2
13	21-1601	1/2" BARBED ELBOW (PLASTIC)	2	39	H-RUE22	1/2" RUE RING COTTER	1
14	21-1606	1/2 MALE NPT X 1/2" BARB	3	40	M-50785K441	.375 MALE NPT X .375 FEMALE NPT ELBOW 90 DEG	1
15	253-1099	AUTO SQUEEGEE LIFT BRACKET	1	41	M-5346K52	.375 NPT X .25 BRASS BARBED HOSE FITTING	1
16	253-1618	GROUNDING CHAIN, 12"	1	42	M-53525K18	.375 NPT X 3/75 BRASS BARBED ELBOW	1
17	253-2240	2" STROKE 24V ACTUATOR 450 LB LOAD	1	43	T-025B1200	ZERO HOSE 06.par	1
18	264-2440	ONBOARD CHARGER	1	44	T-025CS0600	ZERO HOSE	1
19	264-9516	CHARGER CONECTOR BRACKET	1	45	T-025CS1200	ZERO HOSE	1
20	4-259	CONNECTOR, RED 50, HOUSING ONLY	1	46	T-025R1200	ZERO HOSE	1
21	5-446	1/2 " PLASTIC BARB TEE	1	47	T-050R0250	1/2"ID X 27"LG SOLUTION HOSE	1
22	5-891	PUMP, WATER JET	1	48	T-050R1450	1/2"ID X 27"LG SOLUTION HOSE	1
23	H-0156771	CLEVIS PIN, 1/2" OD X 2" LG	1	49	T-050R2700	1/2"ID X 27"LG SOLUTION HOSE	1
24	H-0172520	CB #10-32 X 3/4" SS	2	50	T-050R2700	1/2"ID X 27"LG SOLUTION HOSE	1
25	H-0172522	CB #10-32 X 1-1/4" SS	2	51	T-050R1200	ZERO HOSE 08.par	1
26	H-04763	ELBOW, 90 DEG X 3/8" MNPT X 1/2" BARB, NYLON	2	52	T-375R0600	ZERO HOSE	1



Item	Part No.	Part Description	Qty.	Item	Part No.	Part Description	Qty.
1		.50 NPT X .375 BARB.ppr	1	27	H-70855	NYLOK #6-32 SS	1
2	123-1601	3/8 BARBED FITTING	1	28	H-70858	NYLOK #10-32 SS	4
3	123-2333	ZERO GENERATORS	1	29	H-70860	NYLOK 1/4" - 20 SS	3
4	123-8510	RED INJECTOR	1	30	H-70861	NYLOK 5/16" - 18 SS	2
5	123-8860	HOSE BRACKET HOLDER	1	31	H-70921	KN #6-32	1
6	123-8910	PUMP, WATER JET	1	32	H-70923	KN #10-32 SS	3
7	123-9134	AIR DRYER	1	33	H-70925	KN 1/4-20 S/S	1
8	150-5280	VALVE BRACKET	1	34	H-71010	FW #10 ID X 11/16 OD SS	3
9	155-9130	INLINE FILTER	1	35	H-72388	PPH #6-32 X 3/4" SS	1
10	170-4500	24V VALVE	1	36	H-72393	PPH #6-32 X 2" MS S/S	1
11	175-1370	SIGHT TUBE	1	37	H-74421	CB 1/4" - 20 X 1-1/4" SS	1
12	175-9130	INLINE FILTER	1	38	H-74429	CB 5/16" - 18 X 3/4" SS	2
13	21-1601	1/2" BARBED ELBOW (PLASTIC)	2	39	H-RUE22	1/2" RUE RING COTTER	1
14	21-1606	1/2 MALE NPT X 1/2" BARB	3	40	M-50785K441	.375 MALE NPT X .375 FEMALE NPT ELBOW 90 DEG	1
15	253-1099	AUTO SQUEEGEE LIFT BRACKET	1	41	M-5346K52	.375 NPT X .25 BRASS BARBED HOSE FITTING	1
16	253-1618	GROUNDING CHAIN, 12"	1	42	M-53525K18	.375 NPT X 3/75 BRASS BARBED ELBOW	1
17	253-2240	2" STROKE 24V ACTUATOR 450 LB LOAD	1	43	T-0258I200	ZERO HOSE .06.ppr	1
18	264-2440	ONBOARD CHARGER	1	44	T-025CS0600	ZERO HOSE	1
19	264-9516	CHARGER CONECTOR BRACKET	1	45	T-025CS1200	ZERO HOSE	1
20	4-259	CONNECTOR, RED 50, HOUSING ONLY	1	46	T-025R1200	ZERO HOSE	1
21	5-446	1/2" PLASTIC BARB TEE	1	47	T-050R0250	1/2"ID X 27"LG SOLUTION HOSE	1
22	5-891	PUMP, WATER JET	1	48	T-050R1450	1/2"ID X 27"LG SOLUTION HOSE	1
23	H-0156771	CLEVIS PIN, 1/2" OD X 2" LG	1	49	T-050R2700	1/2"ID X 27"LG SOLUTION HOSE	1
24	H-0172520	CB #10-32 X 3/4" SS	2	50	T-050R2700	1/2"ID X 27"LG SOLUTION HOSE	1
25	H-0172522	CB #10-32 X 1-1/4" SS	2	51	T-050RS1200	ZERO HOSE .08.ppr	1
26	H-04763	ELBOW, 90 DEG X 3/8" MNPT X 1/2" BARB, NYLON	2	52	T-375R0600	ZERO HOSE	1

Onboard Charger, Spray Jet, & Actuator Lift Option



Item	Part No.	Part Description	Qty.	Item	Part No.	Part Description	Qty.
1		.50 NPT X .375 BARB,par	1	27	H-70855	NYLOK #6-32 SS	1
2	123-1601	3/8 BARBED FITTING	1	28	H-70858	NYLOK #10-32 SS	4
3	123-2333	ZERO GENERATORS	1	29	H-70860	NYLOK 1/4"- 20 SS	3
4	123-8510	RED INJECTOR	1	30	H-70861	NYLOK 5/16" - 18 SS	2
5	123-8860	HOSE BRACKET HOLDER	1	31	H-70921	KN #6-32	1
6	123-8910	PUMP, WATER JET	1	32	H-70923	KN #10-32 SS	3
7	123-9134	AIR DRYER	1	33	H-70925	KN 1/4-20 S/S	1
8	150-5280	VALVE BRACKET	1	34	H-71010	FW #10 ID X 11/16 OD SS	3
9	155-9130	INLINE FILTER	1	35	H-72388	PPH #6-32 X 3/4" SS	1
10	170-4500	24V VALVE	1	36	H-72393	PPH #6-32 X 2" MS S/S	1
11	175-1370	SIGHT TUBE	1	37	H-74421	CB 1/4"- 20 X 1-1/4" SS	1
12	175-9130	INLINE FILTER	1	38	H-74429	CB 5/16"- 18 X 3/4" SS	2
13	21-1601	1/2" BARBED ELBOW (PLASTIC)	2	39	H-RUE22	1/2" RUE RING COTTER	1
14	21-1606	1/2 MALE NPT X 1/2" BARB	3	40	M-50785K441	.375 MALE NPT X .375 FEMALE NPT ELBOW 90 DEG	1
15	253-1099	AUTO SQUEEGEE LIFT BRACKET	1	41	M-5346K52	.375 NPT X .25 BRASS BARBED HOSE FITTING	1
16	253-1618	GROUNDING CHAIN, 12"	1	42	M-53525K18	.375 NPT X .375 BRASS BARBED ELBOW	1
17	253-2240	2" STROKE 24V ACTUATOR 450 LB LOAD	1	43	T-0258I200	ZERO HOSE 06,par	1
18	264-2440	ONBOARD CHARGER	1	44	T-025CS0600	ZERO HOSE	1
19	264-9516	CHARGER CONECTOR BRACKET	1	45	T-025CS1200	ZERO HOSE	1
20	4-259	CONNECTOR, RED 50, HOUSING ONLY	1	46	T-025R1200	ZERO HOSE	1
21	5-446	1/2" PLASTIC BARB TEE	1	47	T-050R0250	1/2"ID X 27"LG SOLUTION HOSE	1
22	5-891	PUMP, WATER JET	1	48	T-050R1450	1/2"ID X 27"LG SOLUTION HOSE	1
23	H-0156771	CLEVIS PIN, 1/2" OD X 2" LG	1	49	T-050R2700	1/2"ID X 27"LG SOLUTION HOSE	1
24	H-0172520	CB #10-32 X 3/4" SS	2	50	T-050R2700	1/2"ID X 27"LG SOLUTION HOSE	1
25	H-0172522	CB #10-32 X 1-1/4" SS	2	51	T-050RS1200	ZERO HOSE 08,par	1
26	H-04763	ELBOW, 90 DEG X 3/8" MNPT X 1/2" BARB, NYLON	2	52	T-375R0600	ZERO HOSE	1

ROUND DISK BRUSHES:
NOTICE

The ## in Disk Column Denotes Desk Pad Size: 13" or 14"

BRUSHES	DISK	LEVEL
Super Grit	##-382SS	Very High
Tough Grit	##-382S	High
Midi Grit	##-382C	Medium
Light Grit	##-382PS	Moderate
Poly	##-382P	Light
Nylon	##-382N	Light
Tampico	##-382T	Light
Pad Driver	##-382D	
Diamond Driver	##-382DD	

ROUND DISK PADS:
NOTICE

The ## in Disk Column Denotes Desk Pad Size: 13" or 14"

DISK PADS	DISK	LEVEL	COLOR
Super Black	##-422BB	Very High	Black
Black	##-422B	High	Black
Brown	##-422BR	High	Brown
Green	##-422G	Medium	Green
Blue	##-422BL	Moderate	Blue
Red	##-422R	Moderate	Red
White	##-422W	Light	White

CYLINDRICAL BRUSHES:

BRUSHES	MODEL 25" CYLINDRICAL	MODEL 29" CYLINDRICAL	LEVEL
Tough Grit	236-697S	276-697S	High
Midi Grit	236-697C	276-697C	Medium
Light Grit	236-697PS	276-697PS	Moderate
Nylon	236-697N	276-697N	Light
Tampico	236-697T	276-697T	Light

Common Wear Parts

SQUEEGEE BLADE KITS & COMPLETE SQUEEGEE ASSEMBLIES:

SQUEEGEE SIZE	26" DISK DECKS	24" EDGE DECKS	28" DISK DECKS	28" EDGE DECKS	25" CYL. DECKS	29" CYL. DECKS
36" Squeegee	Standard	Standard	Standard	Standard	Standard	Optional
42" Squeegee	Optional	Optional	Optional	Optional	Optional	Standard

SQUEEGEE SIZE	LINATEX BLADE KIT	GUM RUBBER BLADE KIT	URETHANE BLADE KIT	COMPLETE SQUEEGEE ASSEMBLIES
36" Squeegee	36-770L	36-770G	36-770U	36-7180
42" Squeegee	42-770L	42-770G	42-770U	42-7180

SQUEEGEE MATERIAL:	USED FOR:
LINATEX	Provides best wear and tear resistance. Not designed for use with harsh chemicals.
URETHANE	Provides best resistance when dealing with harsh chemicals, oils, fuels, etc.
GUM	Provides best drying performance on rough/grouted floor types by sealing over irregularities. Short life.

NOTICE
 Squeegee blade kits include (1) Rear Blade, (1) Front Blade, and (2) Caster Wheels with hardware.

NOTICE
 Squeegee Assemblies (complete) listed above all come with Linatex blades.

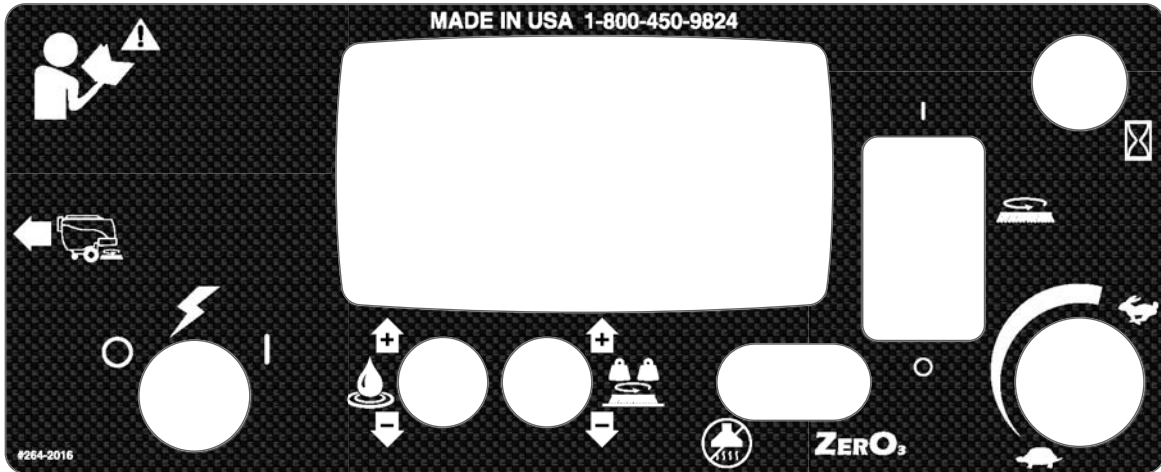


MINI-HD

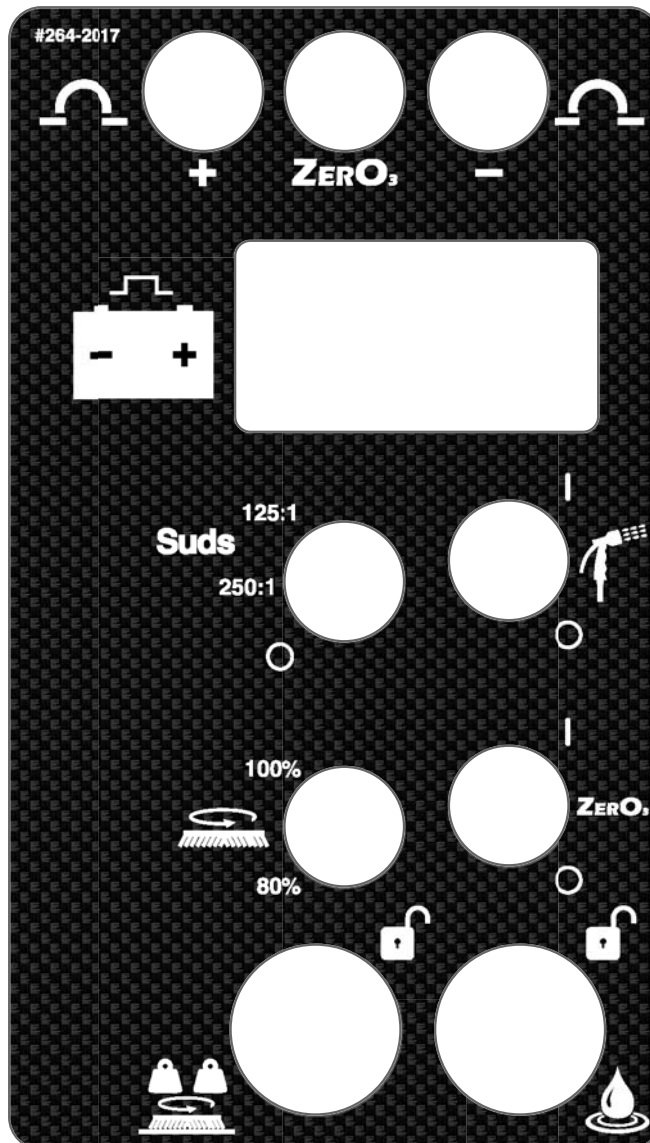
Side Model Sticker - MINI-HD Part #: 175-1515

FACTORY CAT®

Front FactoryCat Sticker Part #: 370-7201



Central Command Sticker - Part #: 264-2016



Central Command Side Sticker - Part #: 264-2017

BLANK

THIS PAGE WAS INTENTIONALLY LEFT BLANK

BLANK

THIS PAGE WAS INTENTIONALLY LEFT BLANK

FACTORYCAT[®]

1711 South Street
Racine, WI 53404
www.factorycat.com
Tel. US: 800-634-4060
Tel. Int: (001) 262-681-3583